



US00D730820S

(12) **United States Design Patent**
Werner

(10) **Patent No.:** **US D730,820 S**
(45) **Date of Patent:** **** Jun. 2, 2015**

(54) **PORTABLE SOLAR POWERED UTILITY BOX**

(71) Applicant: **Glenn Charles Werner**, Albion, ME
(US)

(72) Inventor: **Glenn Charles Werner**, Albion, ME
(US)

(**) Term: **14 Years**

(21) Appl. No.: **29/485,392**

(22) Filed: **Mar. 18, 2014**

(51) **LOC (10) Cl.** **13-02**

(52) **U.S. Cl.**
USPC **D13/102**

(58) **Field of Classification Search**
USPC D13/102, 101, 103, 107, 118, 119, 184,
D13/199; 126/561, 600, 605, 606, 627, 667;
136/206, 244-251, 256, 291, 292;
320/101, 102; 438/80
See application file for complete search history.

(56) **References Cited**

U.S. PATENT DOCUMENTS

4,481,562	A *	11/1984	Hickson	362/183
5,111,127	A	5/1992	Johnson	
D370,050	S	5/1996	Dea et al.	
D380,191	S *	6/1997	White	D13/102
D383,113	S *	9/1997	Grandinetti	D13/102

D428,468	S	7/2000	Dea et al.	
6,201,181	B1	3/2001	Azzam	
6,974,904	B2	12/2005	Azzam	
D575,843	S	8/2008	Werner	
7,492,120	B2	2/2009	Bean	
7,662,035	B1 *	2/2010	Parker et al.	454/228
D644,602	S *	9/2011	Dieguez et al.	D13/102
8,193,760	B2	6/2012	Wagnon et al.	
8,511,406	B2	8/2013	Anasiewicz	
D707,623	S *	6/2014	Marks	D13/102
2008/0210289	A1	9/2008	Chen	

* cited by examiner

Primary Examiner — Derrick Holland

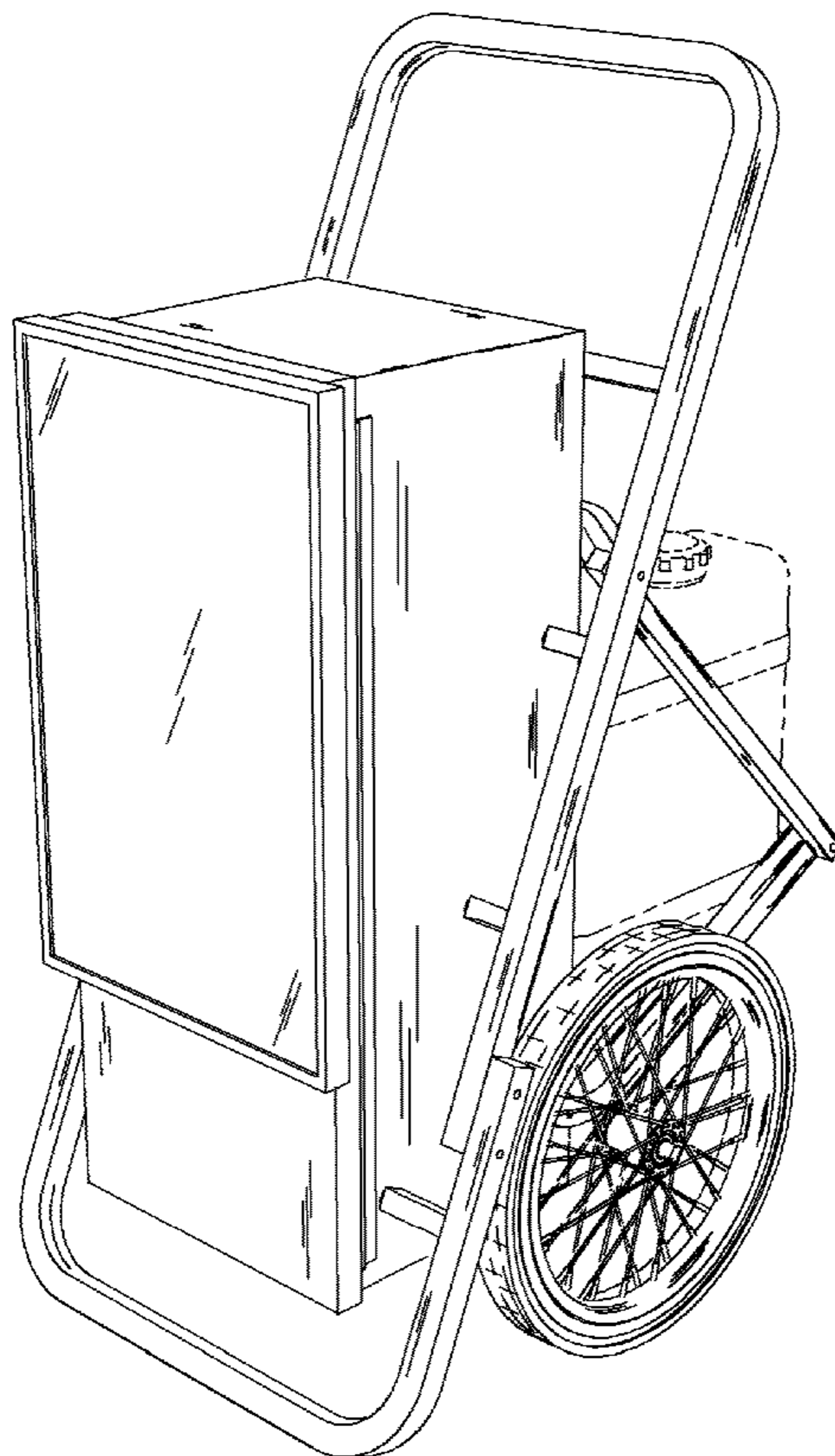
(57) **CLAIM**

The ornamental design for a portable solar powered utility box, as shown and described.

DESCRIPTION

FIG. 1 is a perspective view of my new portable solar powered utility box according to the present invention; FIG. 2 is a front elevation view thereof; FIG. 3 is a right side view thereof; FIG. 4 is a left side view thereof; FIG. 5 is a rear elevation view thereof; FIG. 6 is a top plan view thereof; FIG. 7 is a bottom plan view thereof; and, FIG. 8 is another perspective view thereof, with the solar panel shown in an alternate position. The broken lines shown represent unclaimed subject matter and form no part of the claimed design.

1 Claim, 7 Drawing Sheets



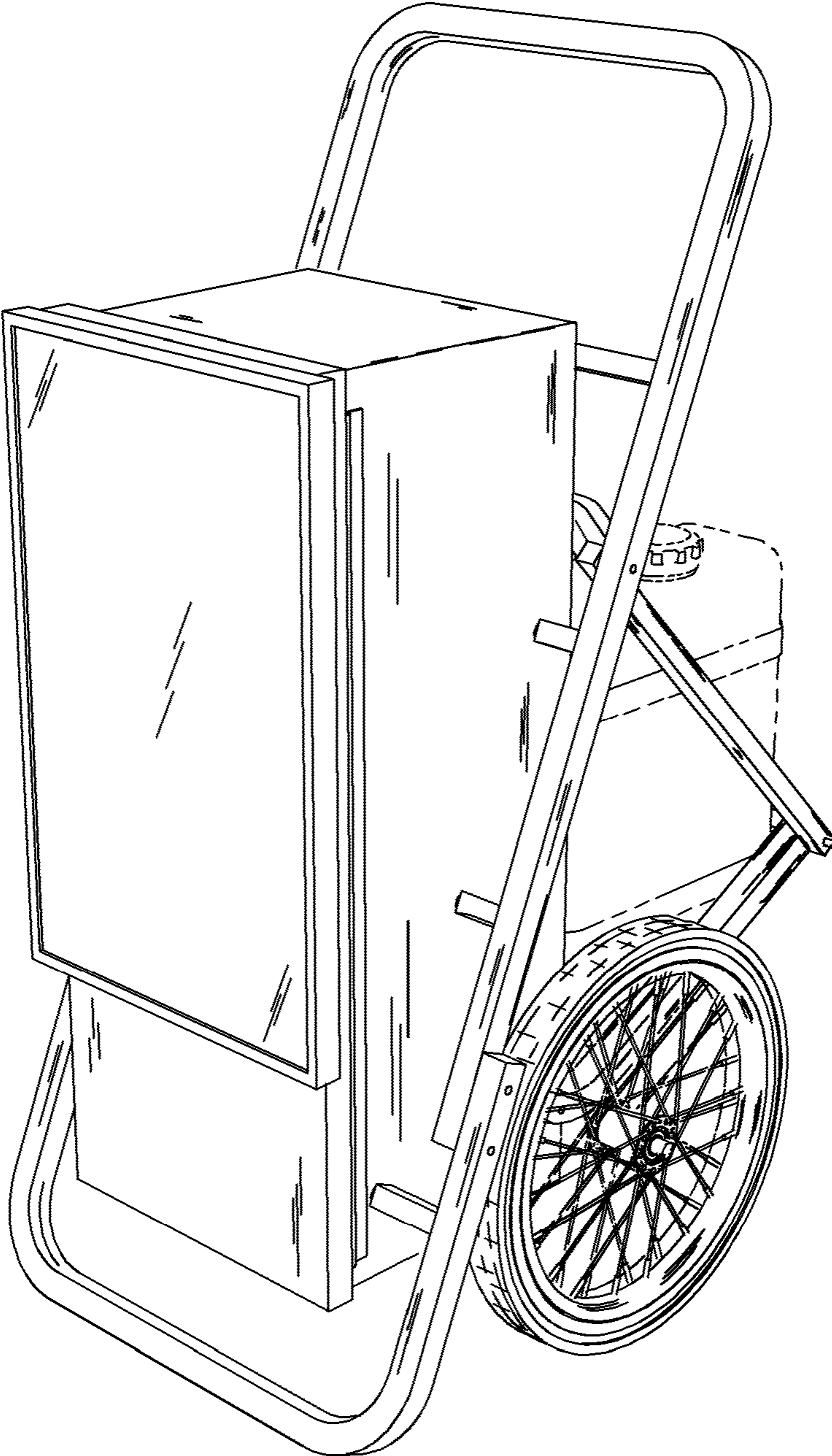


FIG. 1

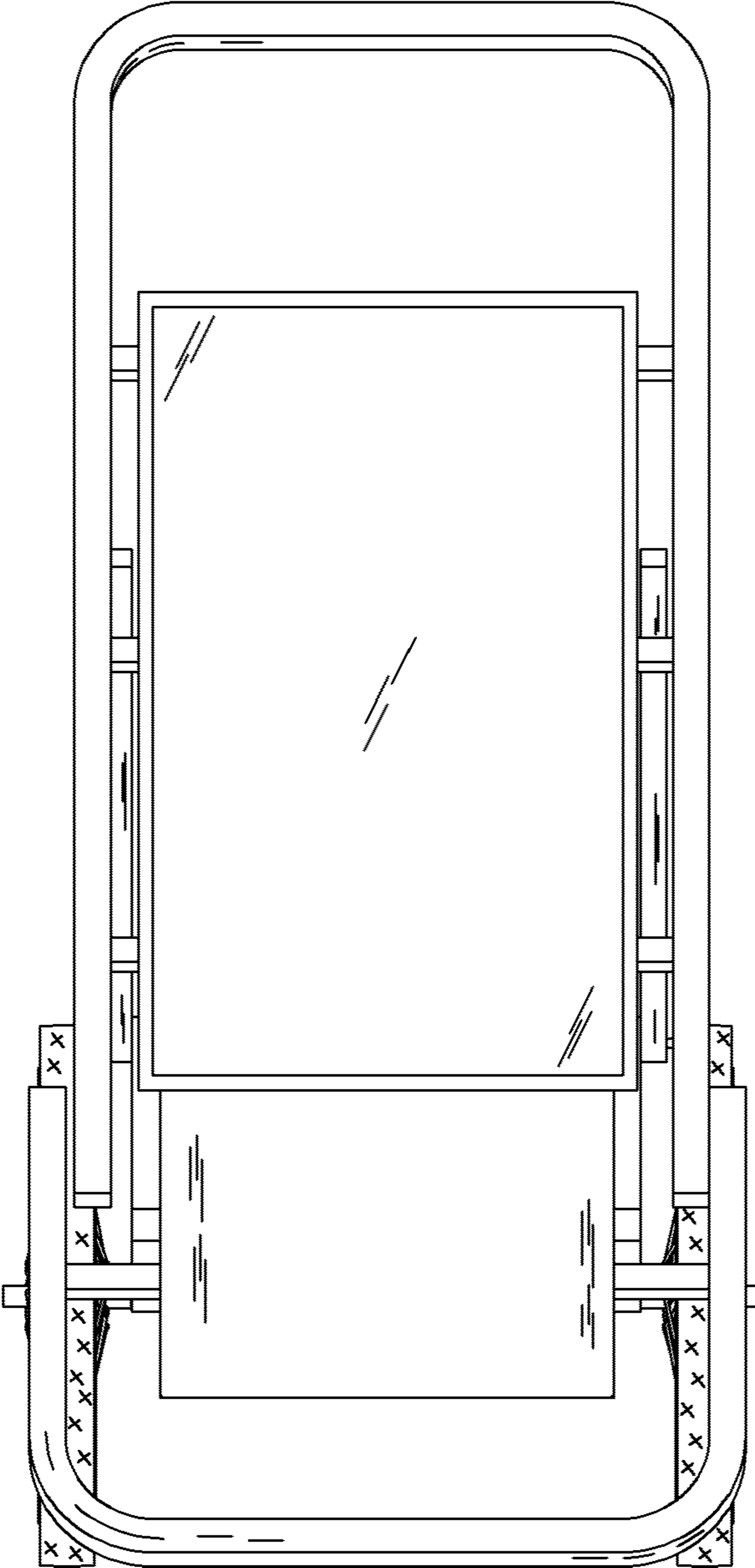


FIG. 2

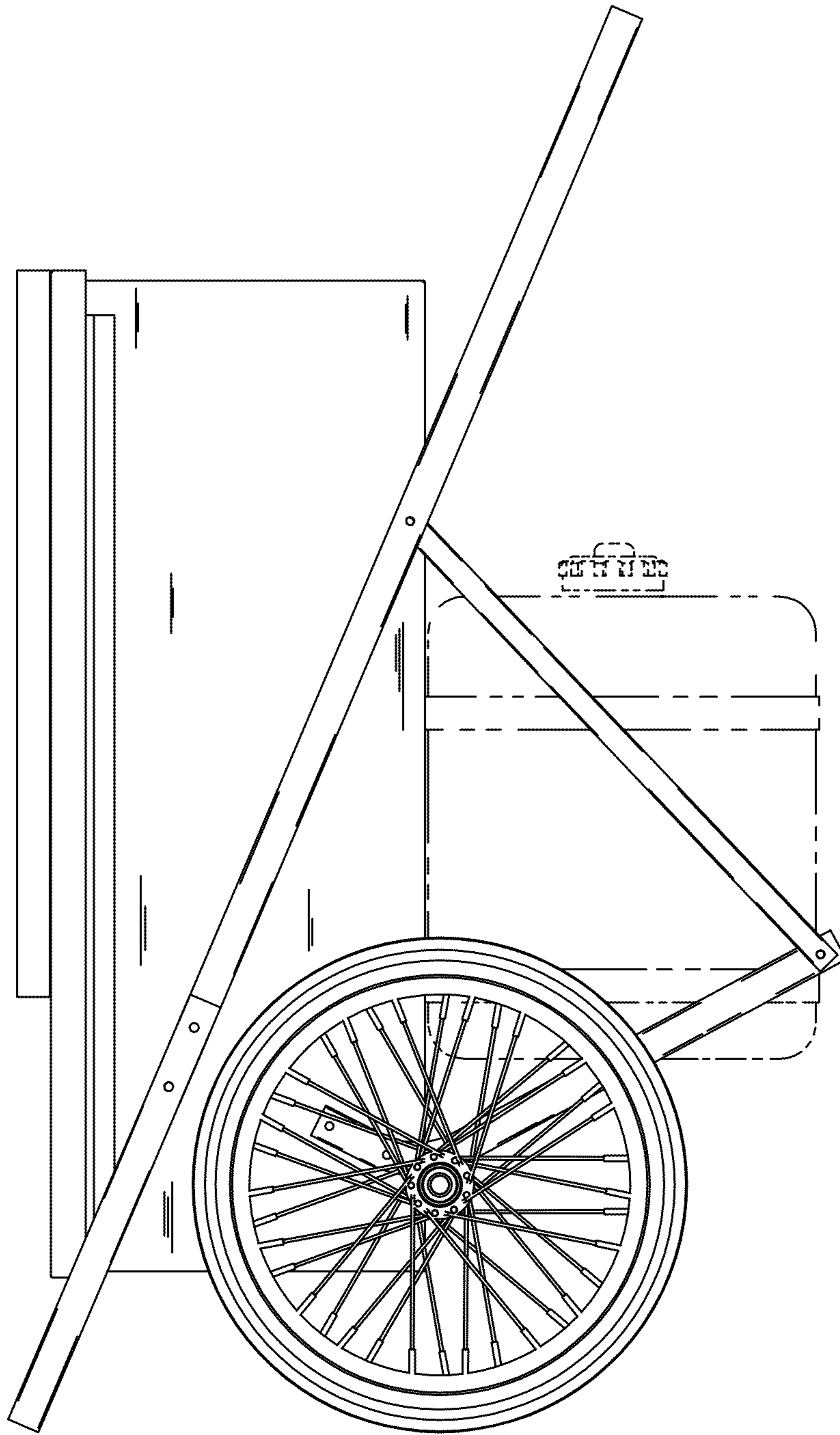


FIG. 3

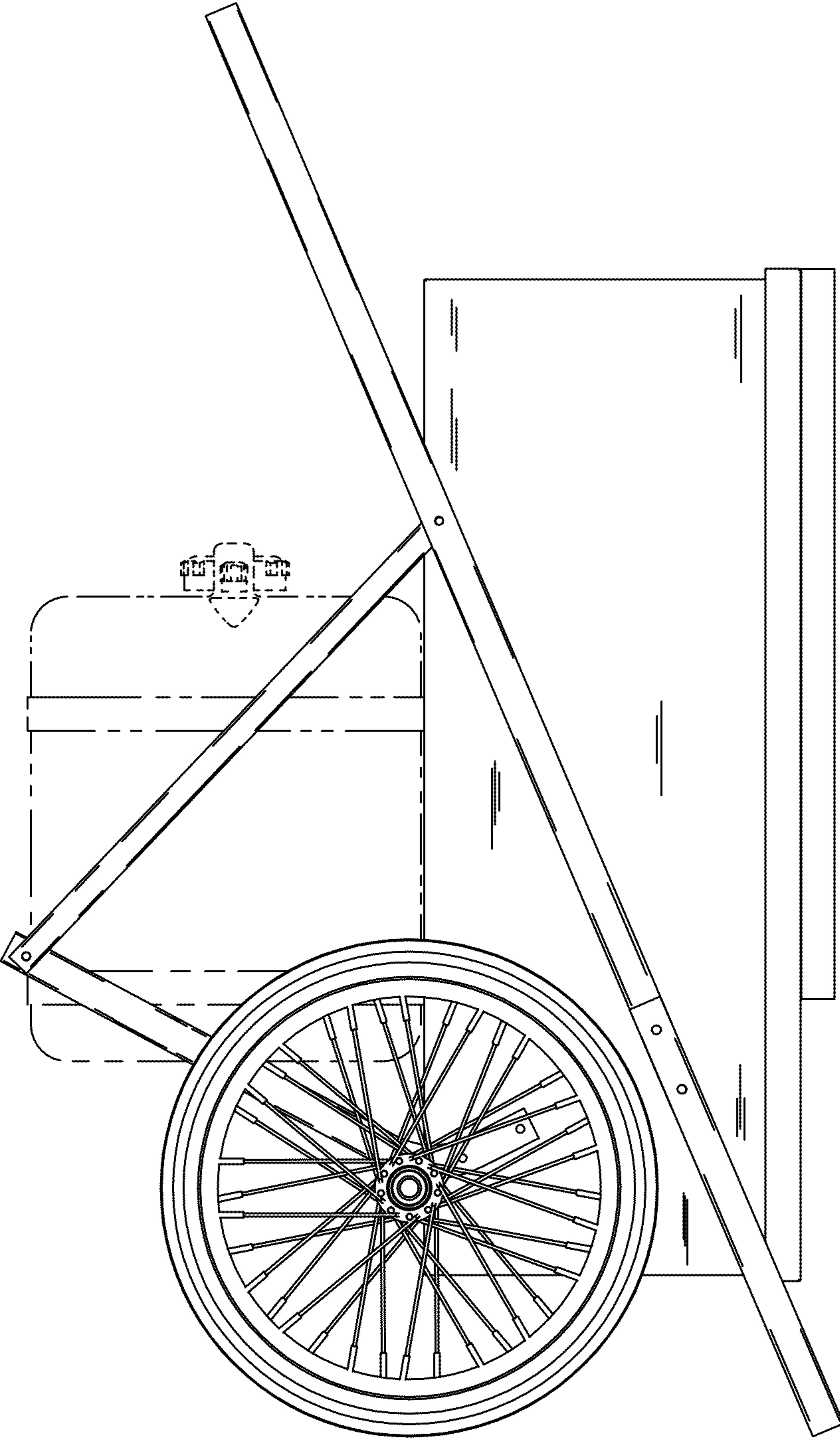


FIG. 4

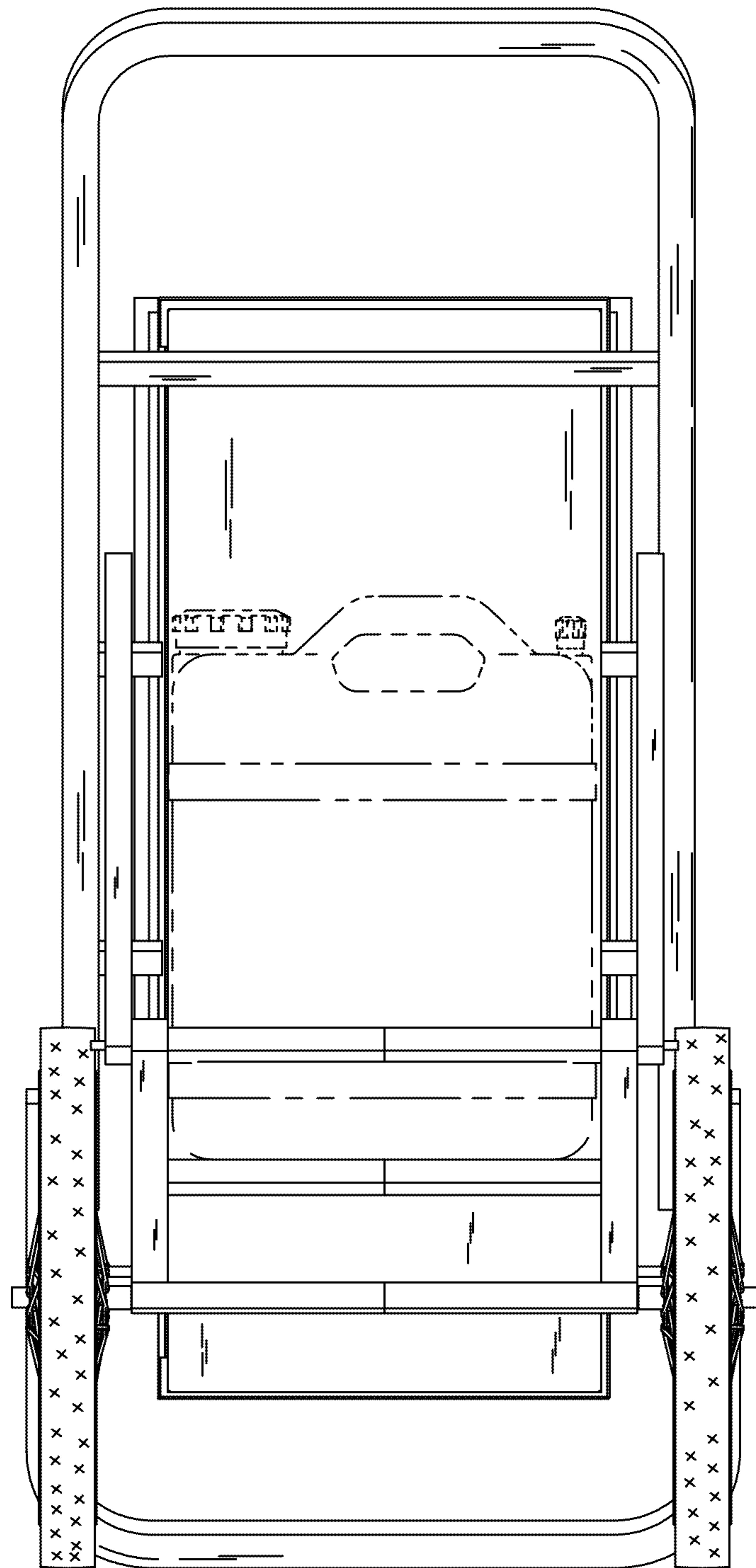


FIG. 5

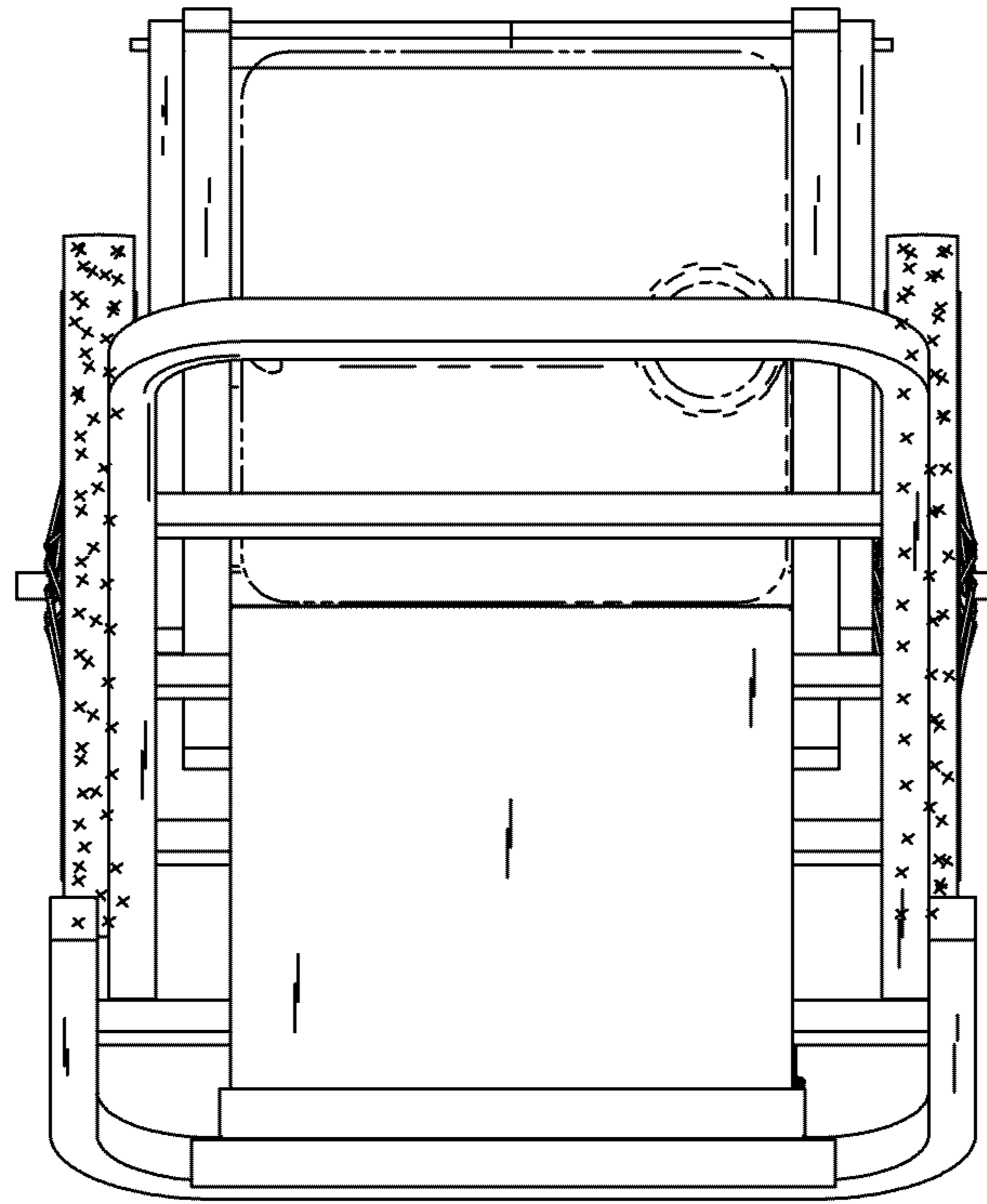


FIG. 6

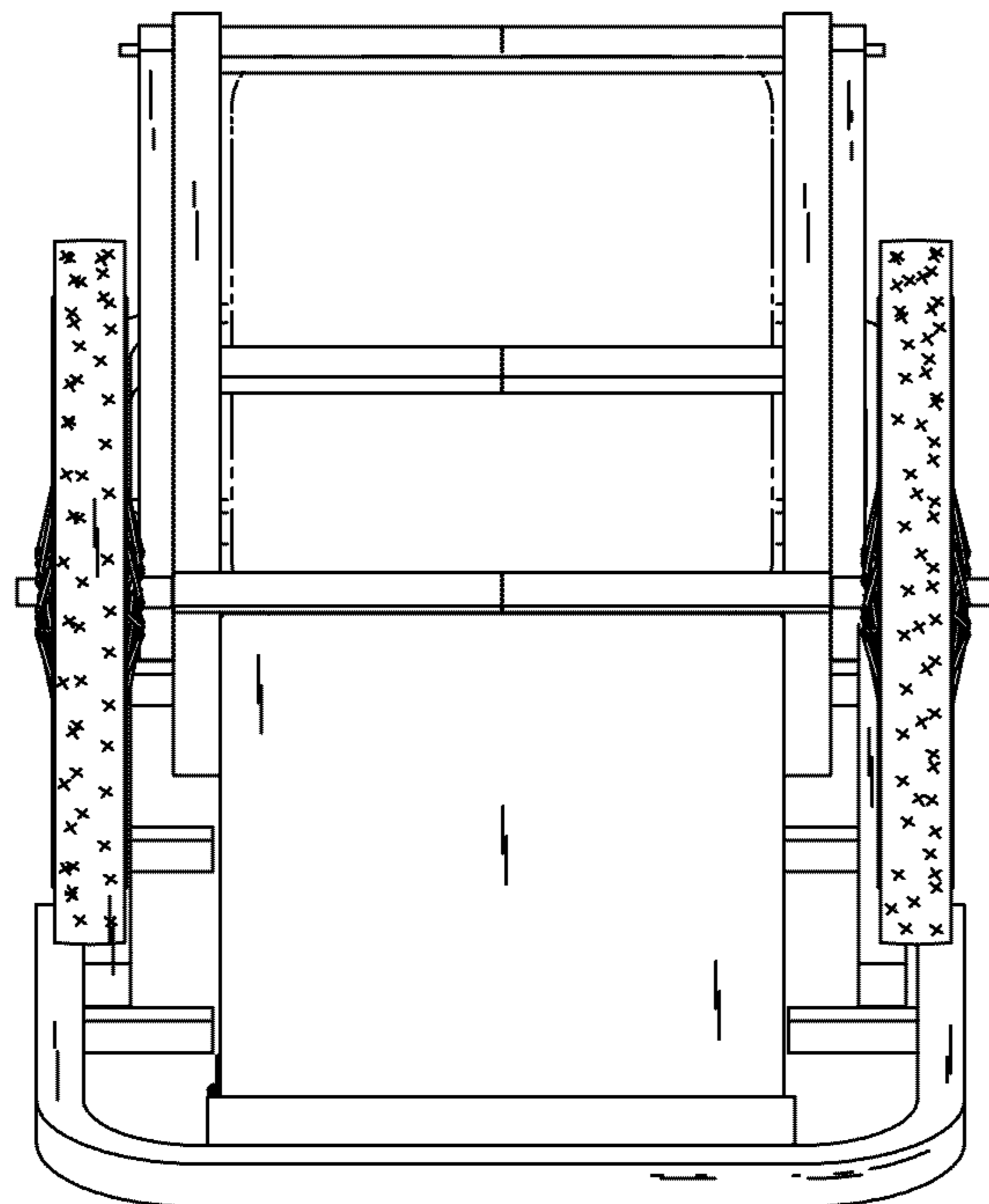


FIG. 7

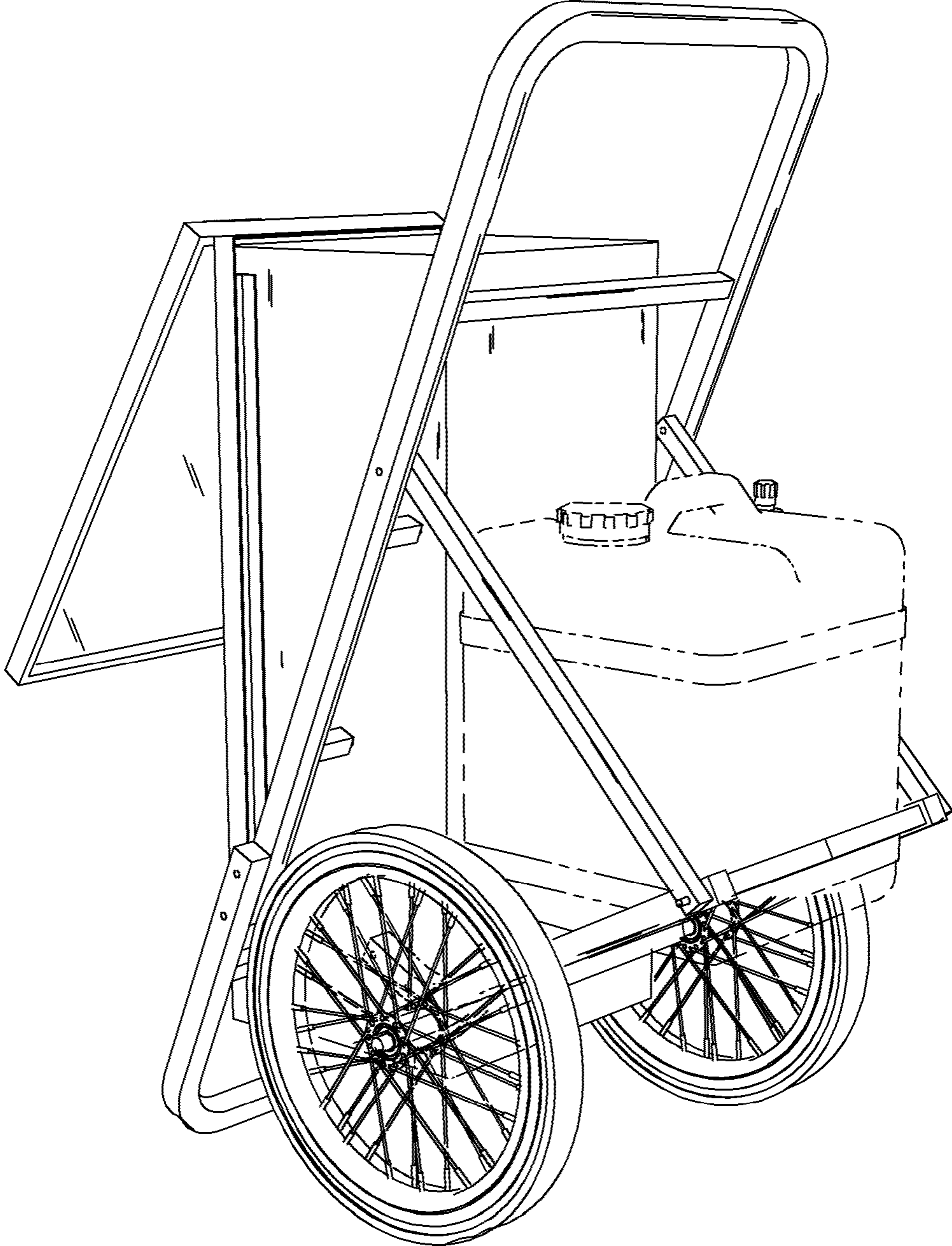


FIG. 8