



US00D730807S

(12) **United States Design Patent**
Lundgren

(10) **Patent No.:** **US D730,807 S**
(45) **Date of Patent:** **** Jun. 2, 2015**

- (54) **TIRE TREAD**
- (71) Applicant: **Bridgestone Americas Tire Operations, LLC, Nashville, TN (US)**
- (72) Inventor: **Paula R. Lundgren, Akron, OH (US)**
- (73) Assignee: **Bridgestone Americas Tire Operations, LLC, Nashville, TN (US)**
- (**) Term: **14 Years**
- (21) Appl. No.: **29/440,116**
- (22) Filed: **Dec. 19, 2012**
- (51) **LOC (10) Cl.** **12-15**
- (52) **U.S. Cl.**
USPC **D12/514; D12/517**
- (58) **Field of Classification Search**
USPC D12/505-532
CPC B60C 11/0304; B60C 11/0302; B60C 11/0306; B60C 11/0309; B60C 11/0318; B60C 11/0311; B60C 11/042; B60C 11/13; B60C 11/00; B60C 11/11; B60C 11/12
See application file for complete search history.

D467,222 S	12/2002	Kuramochi et al.	
D481,004 S *	10/2003	O	D12/518
D483,003 S *	12/2003	Shirouzo	D12/517
D483,004 S *	12/2003	Schomburg et al.	D12/518
D490,049 S	5/2004	Heinen et al.	
D490,769 S	6/2004	Diensthuber et al.	
D497,143 S *	10/2004	Lee et al.	D12/515
D514,058 S	1/2006	Murata	
D524,231 S	7/2006	Marazzi et al.	
D524,232 S	7/2006	Heinen et al.	
D524,721 S *	7/2006	Dumigan et al.	D12/516
D524,722 S	7/2006	Dumigan	
D526,270 S	8/2006	Miyasaka	
D544,431 S	6/2007	Graas et al.	
D545,757 S	7/2007	Fukunaga	
D546,272 S	7/2007	Shinohara et al.	
D547,716 S	7/2007	Ochi	
D548,175 S	8/2007	Martin	

(Continued)

Primary Examiner — Stacia Cadmus

(74) Attorney, Agent, or Firm — Shaun J. Fox

(57) **CLAIM**

The ornamental design for a tire tread, as shown and described.

DESCRIPTION

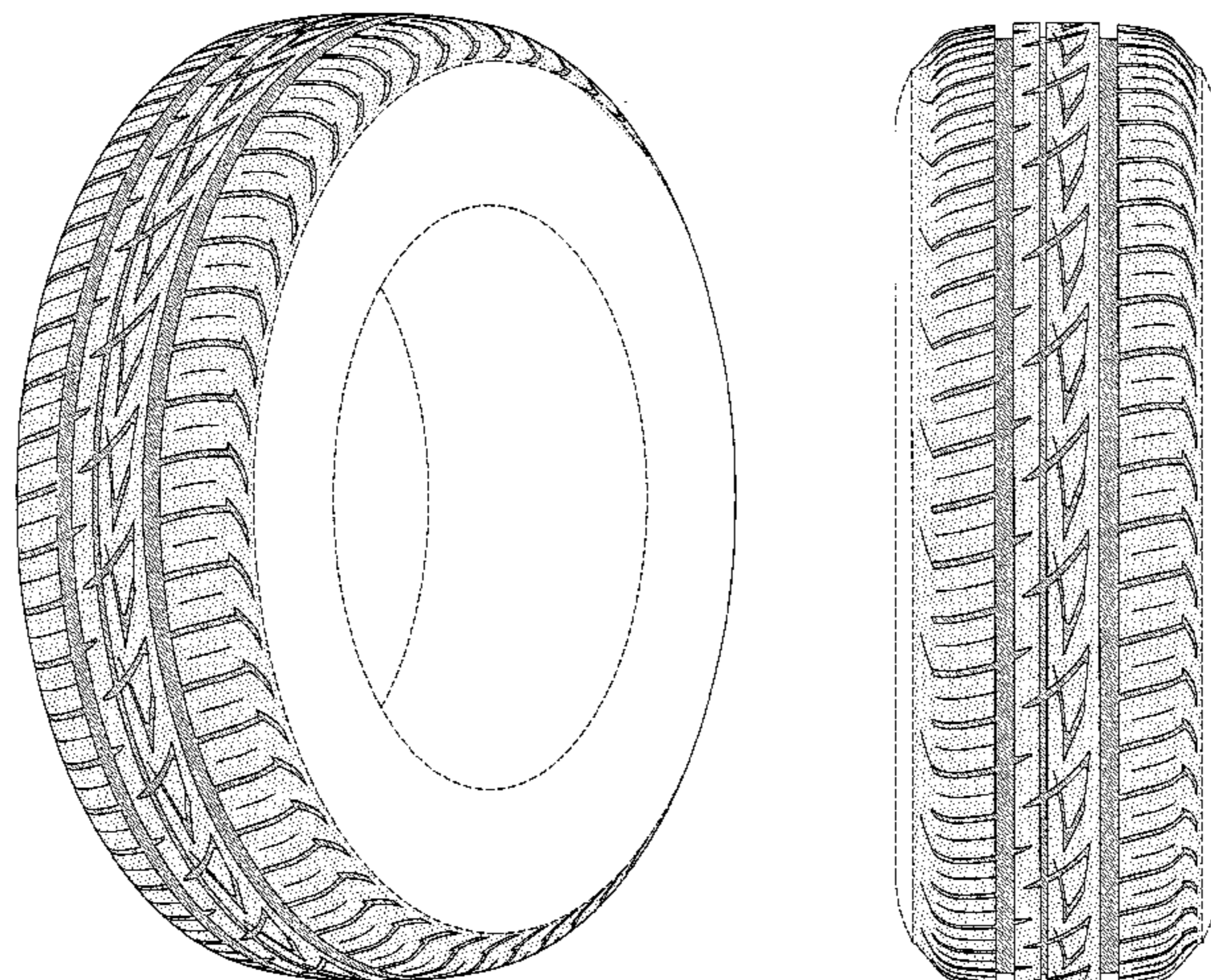
FIG. 1 is a side perspective view of a tire tread showing my new design, it being understood that the tread pattern is repeated throughout the circumference of the tire tread, the opposite side being the same as that shown;
 FIG. 2 is a front elevational view thereof, the opposite side being identical thereto;
 FIG. 3 is a side elevational view of the right side thereof;
 FIG. 4 is a side elevational view of the left side thereof; and,
 FIG. 5 is an enlarged fragmentary front elevational view thereof.

The broken lines defining the sidewall, inner bead, and the peripheral boundary between the claimed tire tread and the sidewall depict environmental subject matter that forms no part of the claimed design.

1 Claim, 5 Drawing Sheets

(56) **References Cited**
U.S. PATENT DOCUMENTS

D324,839 S	3/1992	Maxwell et al.	
D325,015 S	3/1992	Maxwell et al.	
D328,443 S	8/1992	Maxwell et al.	
D336,275 S	6/1993	Montag et al.	
D382,522 S	8/1997	Ratliff, Jr.	
D382,524 S	8/1997	Ratliff, Jr.	
D391,535 S	3/1998	Johanning et al.	
D394,032 S *	5/1998	Maxwell	D12/514
D398,886 S	9/1998	Brown et al.	
D405,738 S *	2/1999	Ratliff, Jr.	D12/514
D421,414 S	3/2000	Ratliff, Jr.	
D451,859 S	12/2001	Slingluff et al.	
D456,762 S	5/2002	Graas	
D460,402 S	7/2002	Ishida et al.	



(56)

References Cited

U.S. PATENT DOCUMENTS

D551,612 S	9/2007	Maxwell et al.	D619,955 S	7/2010	Ashton et al.	
D569,785 S	5/2008	Murata et al.	D626,496 S	11/2010	Fraenkel et al.	
D570,766 S	6/2008	Kiwaki	D626,497 S	11/2010	Fraenkel et al.	
D574,316 S	8/2008	Neidert et al.	D629,739 S	12/2010	Youn	
D575,725 S *	8/2008	Hirai et al. D12/518	D630,574 S	1/2011	Nakamura	
D578,470 S	10/2008	Regallis et al.	D640,182 S *	6/2011	Kiwaki D12/518	
D586,723 S *	2/2009	Heinen et al. D12/517	D642,971 S	8/2011	Takahashi	
D593,931 S	6/2009	Fontaine et al.	D647,458 S	10/2011	Bauer et al.	
D597,926 S	8/2009	Takahashi	D648,258 S	11/2011	Ohashi	
D600,193 S	9/2009	Nukala et al.	D650,322 S	12/2011	Takahashi	
D600,628 S	9/2009	Miyazaki	D651,158 S	12/2011	Berryman et al.	
D603,784 S	11/2009	Sareen et al.	D651,159 S	12/2011	Scharis et al.	
D604,688 S	11/2009	Sato	D654,848 S	2/2012	Yonetsu	
D607,809 S	1/2010	Fontaine et al.	D661,241 S	6/2012	Sareen	
D610,525 S	2/2010	Behr et al.	D662,031 S	6/2012	Yonehara et al.	
D615,024 S	5/2010	Lee	D667,775 S	9/2012	Rittweger	
			D668,202 S	10/2012	Bonnamour et al.	
			D670,232 S	11/2012	Leendertse et al.	

* cited by examiner

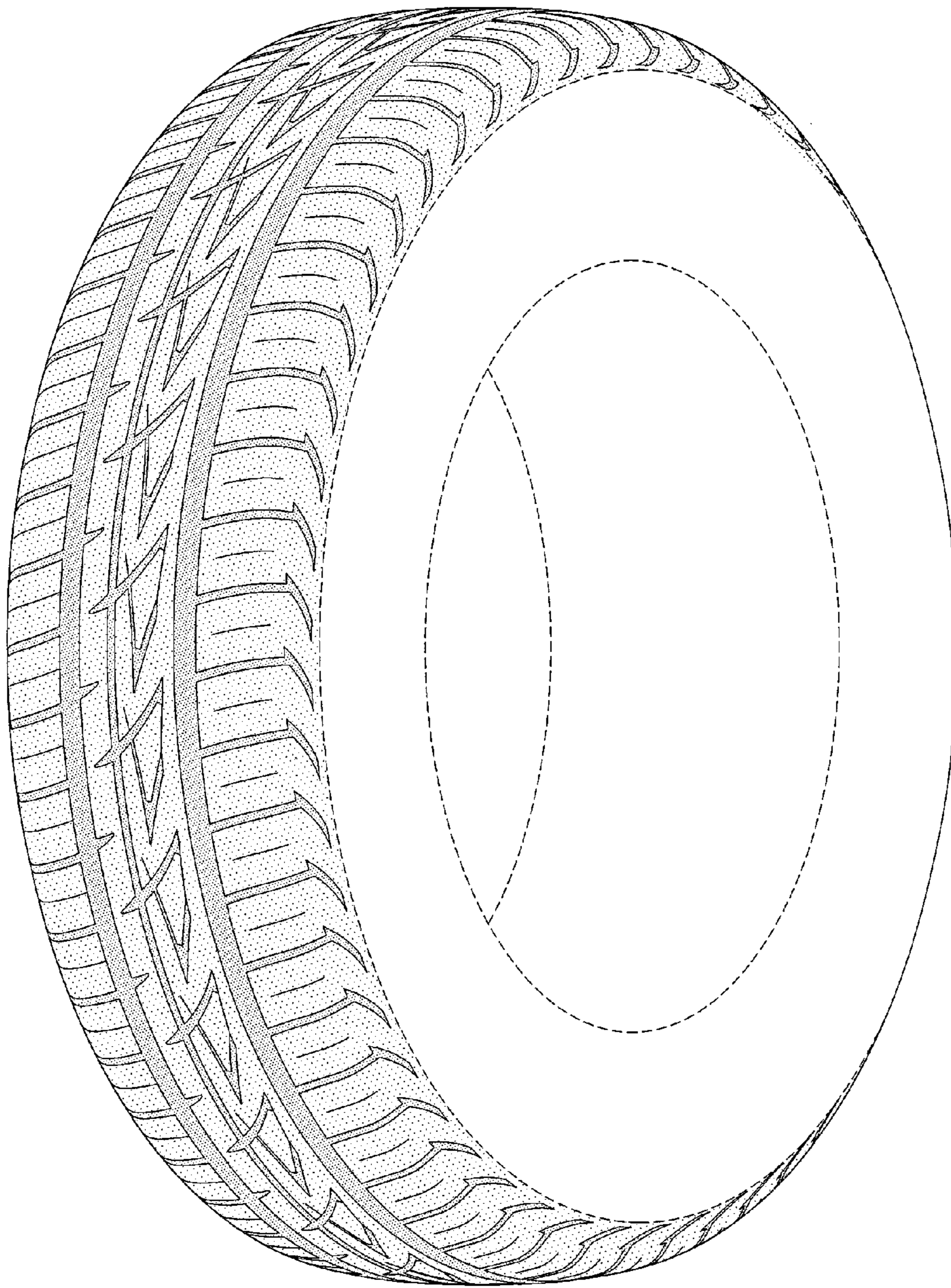


FIG-1

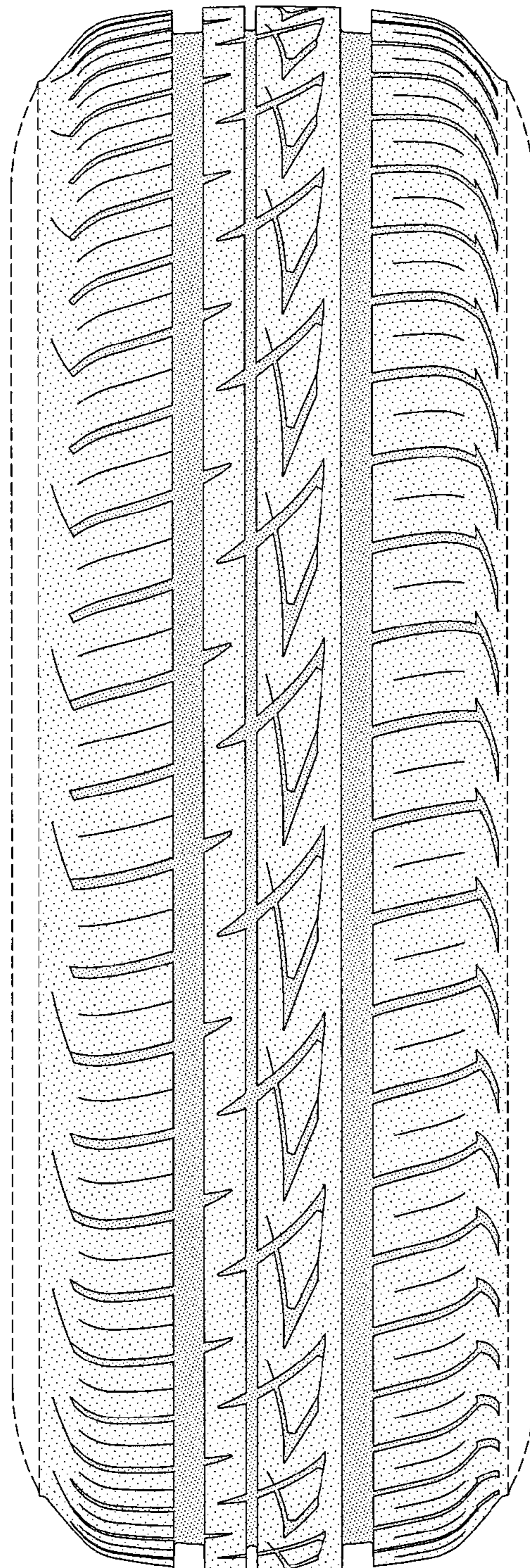


FIG-2

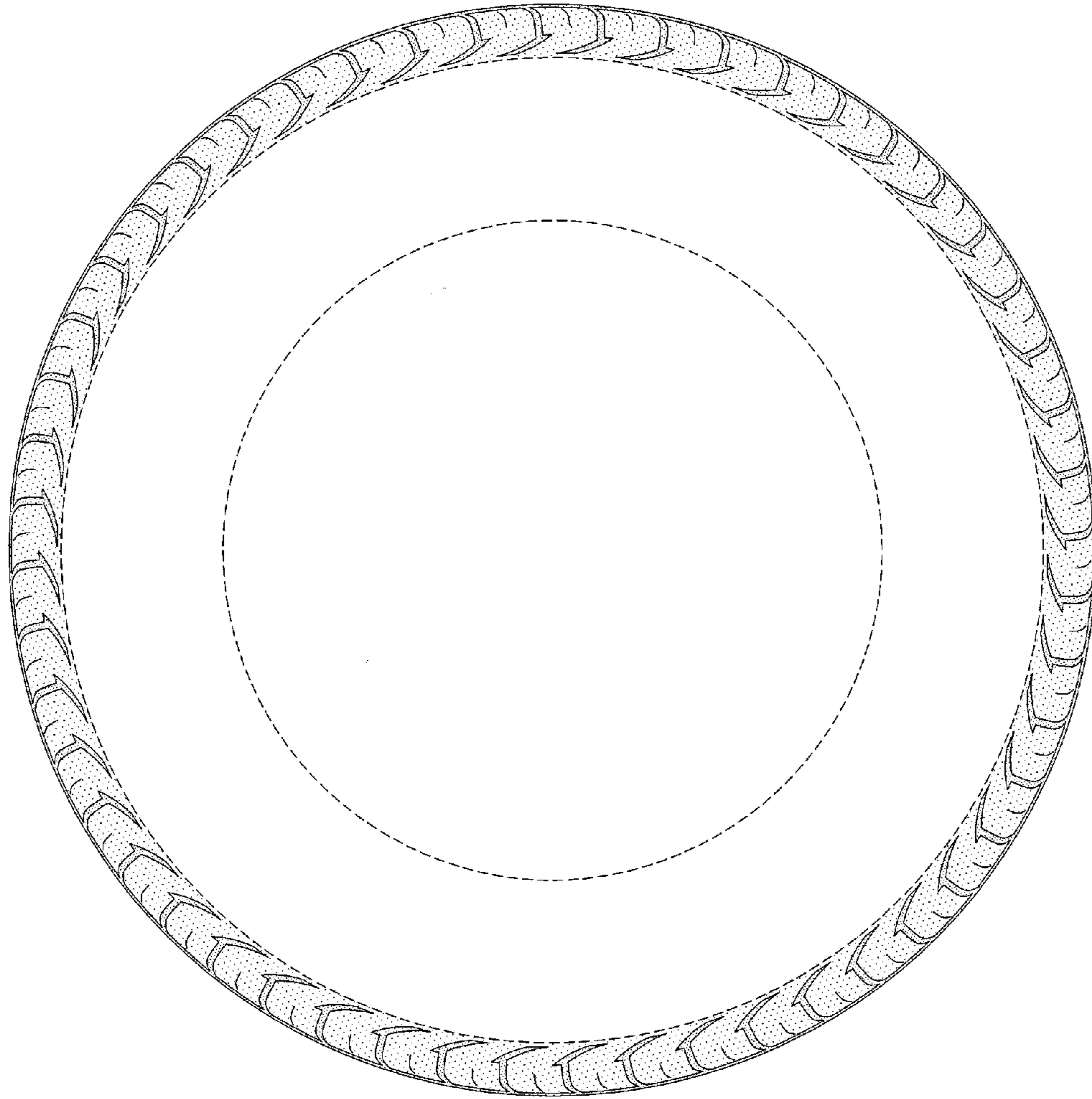


FIG-3

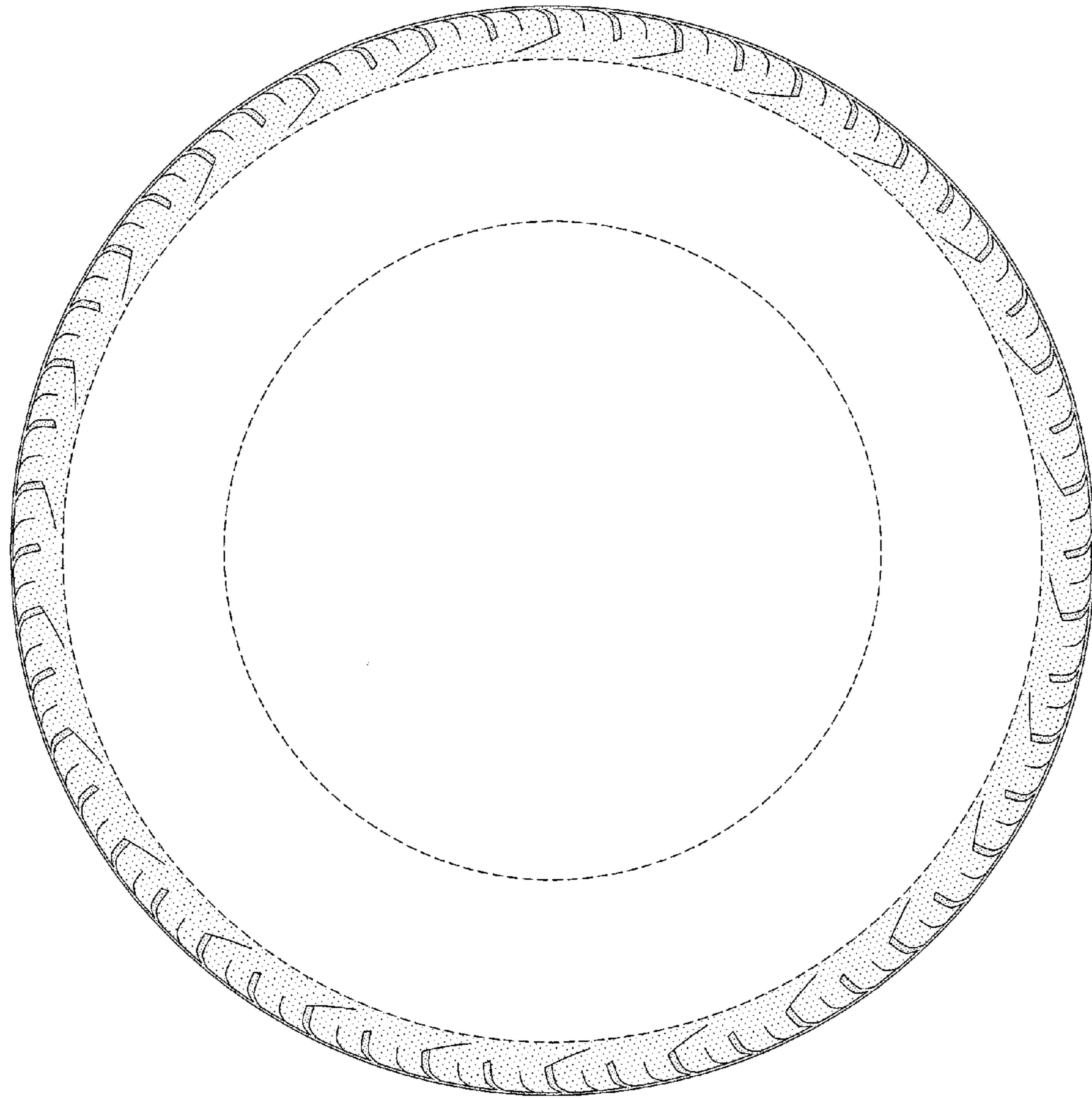


FIG-4

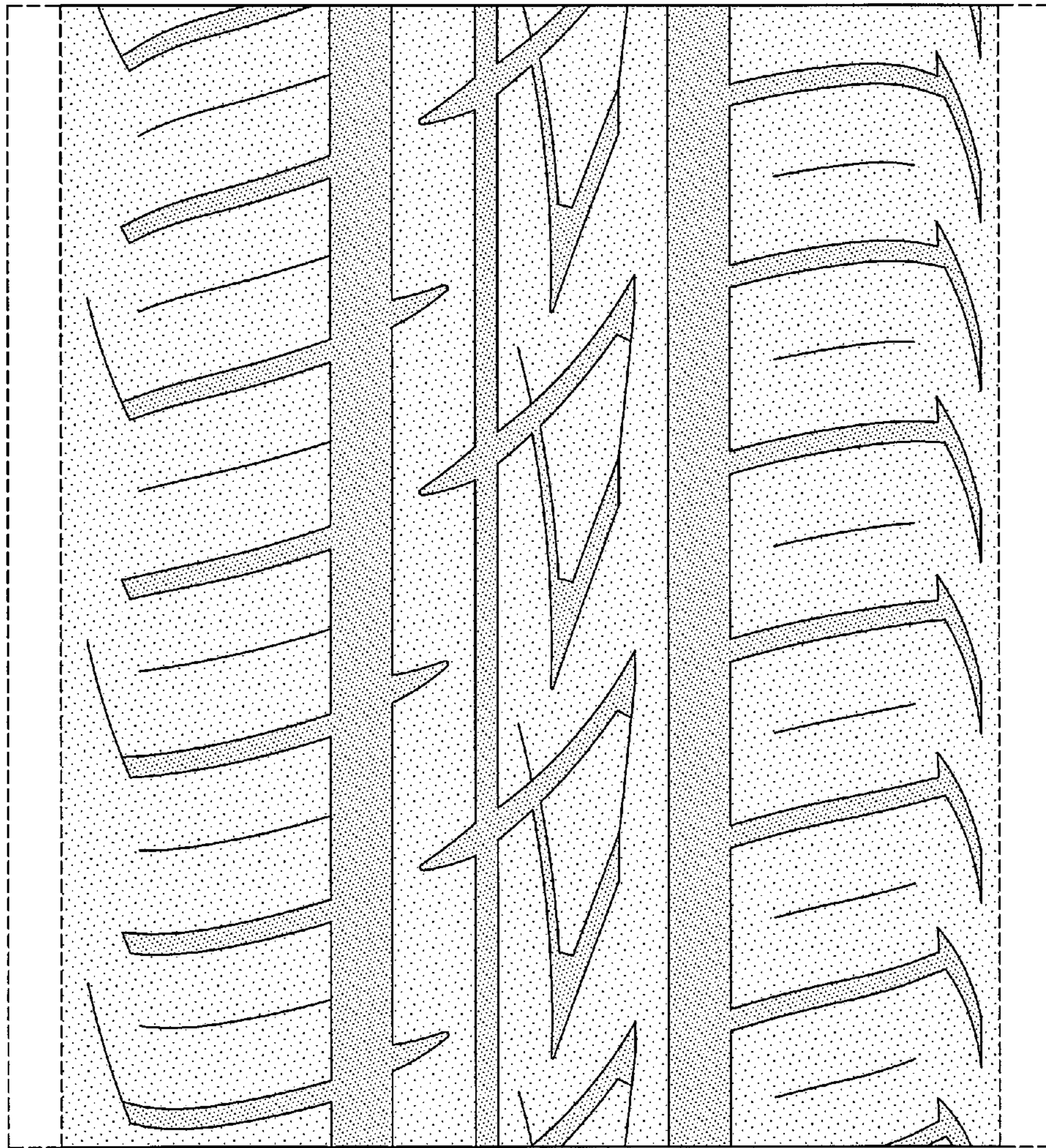


FIG-5