



US00D730802S

(12) **United States Design Patent**
Honegger et al.

(10) **Patent No.:** **US D730,802 S**
(45) **Date of Patent:** **** Jun. 2, 2015**

- (54) **HOT AIR BALLOON**
- (71) Applicant: **Fiji Black Diamond Balloon, LLC**,
Albuquerque, NM (US)
- (72) Inventors: **Samuel E. Honegger**, Albuquerque, NM
(US); **Joseph A. Carazzi**, Albuquerque,
NM (US); **Robert O. Moore**,
Albuquerque, NM (US)
- (73) Assignee: **Fiji Black Diamond Balloon, LLC**,
Albuquerque, NM (US)
- (**) Term: **14 Years**
- (21) Appl. No.: **29/476,419**
- (22) Filed: **Dec. 13, 2013**
- (51) **LOC (10) Cl.** **12-07**
- (52) **U.S. Cl.**
USPC **D12/323; D21/440**
- (58) **Field of Classification Search**
USPC D12/323; D21/436, 439, 440, 396;
D6/301; D9/430, 431; D11/163;
244/31, 98, 153 R; 446/49, 225;
472/134; 434/211; 40/124.14, 584
CPC B63B 1/00; B64B 1/02; B64B 1/40;
B64B 1/58; B64B 1/62; B64B 1/66; A63H
27/085; A63H 27/10; Y10S 52/10
See application file for complete search history.

3,107,884	A *	10/1963	Simko	244/31
3,267,597	A *	8/1966	Jannes	40/584
3,337,162	A *	8/1967	Bauserman	244/31
4,319,418	A *	3/1982	Transport	40/124.14
D317,262	S *	6/1991	Bluff	D9/431
D396,147	S *	7/1998	Rodgers	D6/301
6,499,695	B1 *	12/2002	Talamo	244/153 R
D498,140	S *	11/2004	Lin	D9/430
6,935,963	B2 *	8/2005	Meadows	472/134
D558,086	S *	12/2007	Herber	D11/163
D574,440	S *	8/2008	Goodrich	D21/396
2005/0014112	A1 *	1/2005	Fentress	434/211

* cited by examiner

Primary Examiner — Martie K Holtje

(74) *Attorney, Agent, or Firm* — Jeffrey D. Myers; Peacock Myers, P.C.

(57) **CLAIM**

The ornamental design for a hot air balloon, as shown and described.

DESCRIPTION

FIG. 1 is a right front perspective view of a hot air balloon showing our new design;
 FIG. 2 is a front elevational view, the rear elevational view being a mirror image thereof;
 FIG. 3 is a side elevational view, the opposite side being a mirror image thereof;
 FIG. 4 is a top plan view thereof; and,
 FIG. 5 is a bottom plan view thereof.

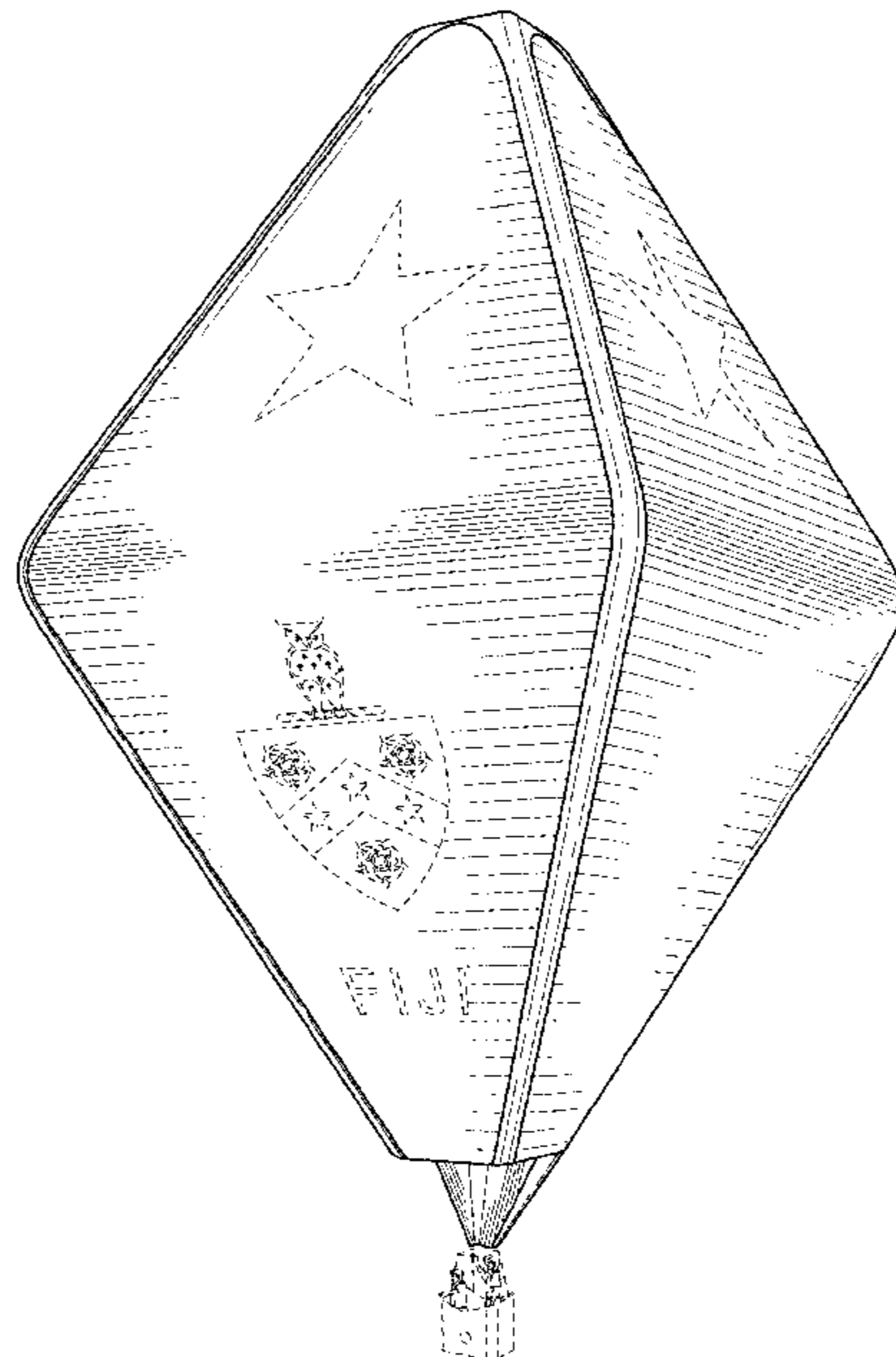
The indicia and decorative elements depicted by broken lines in the figures form no part of the claimed design.
 The basket and occupants depicted by broken lines in the drawing represent environment and form no part of the claimed design.

1 Claim, 3 Drawing Sheets

(56) **References Cited**

U.S. PATENT DOCUMENTS

23,163	A *	3/1859	Gage	244/31
344,515	A *	6/1886	Biehl	446/225
2,701,935	A *	2/1955	Florence	446/49
2,961,194	A *	11/1960	Thorness	244/31



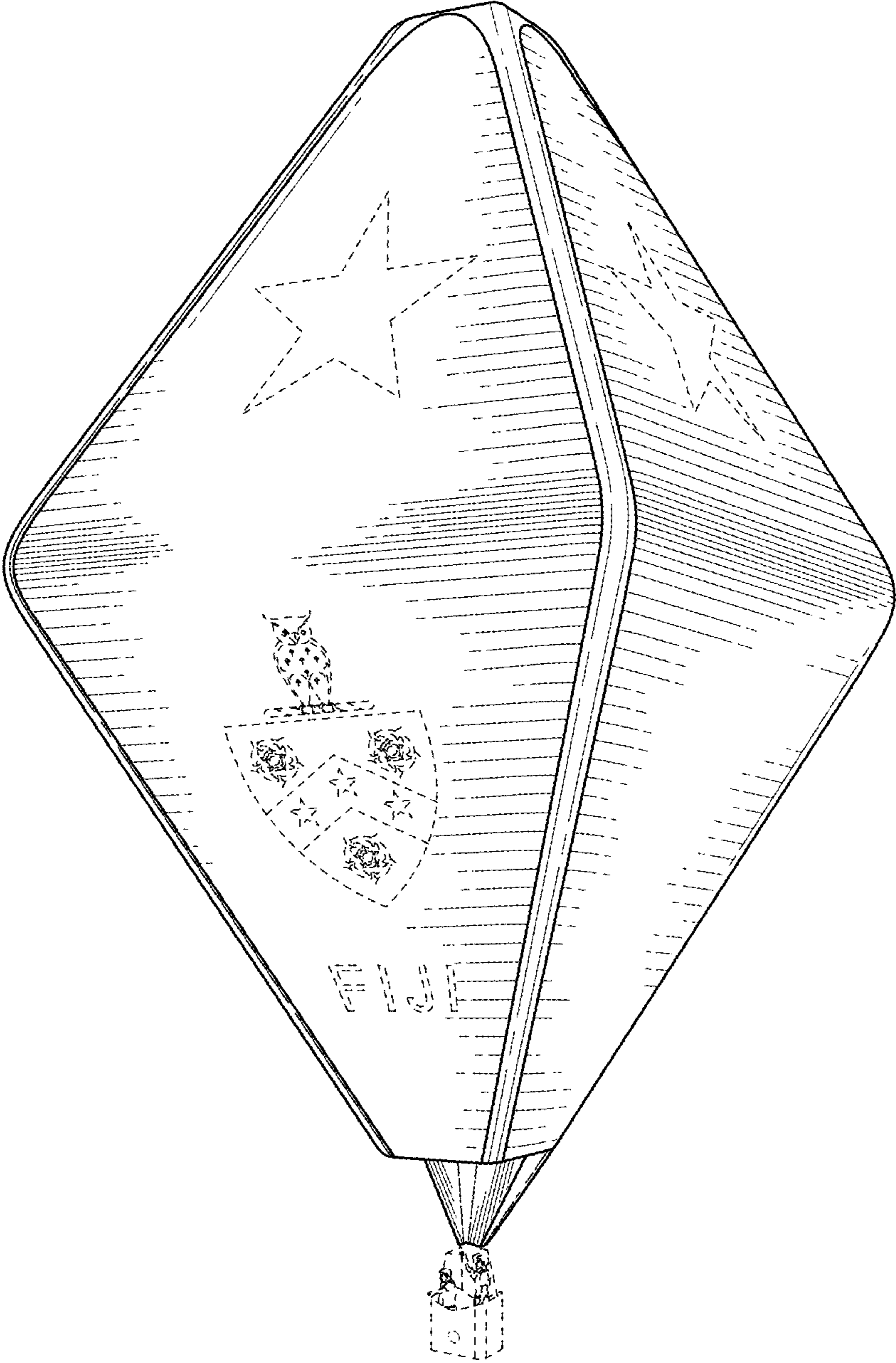


FIG. 1

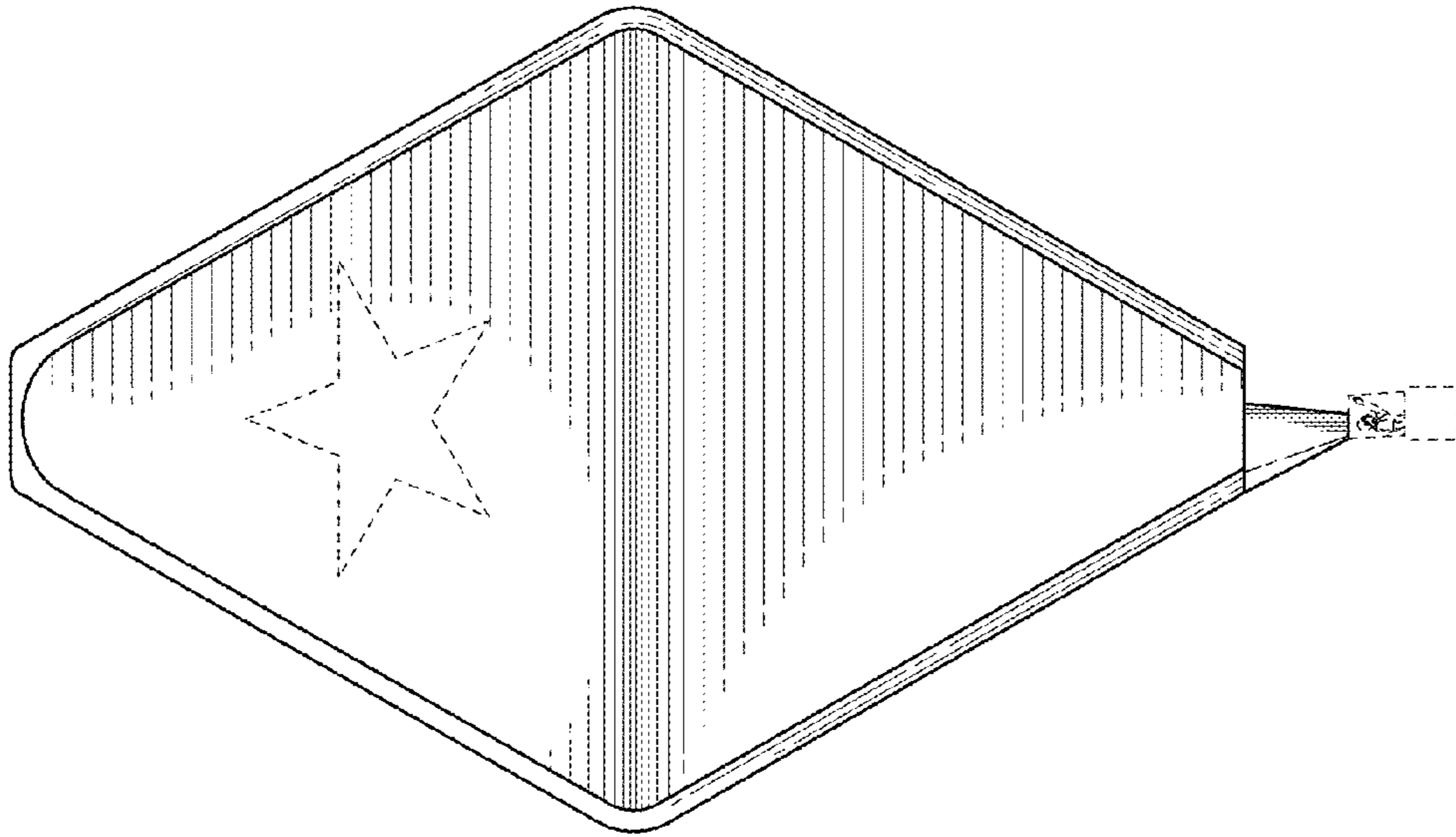


FIG. 3

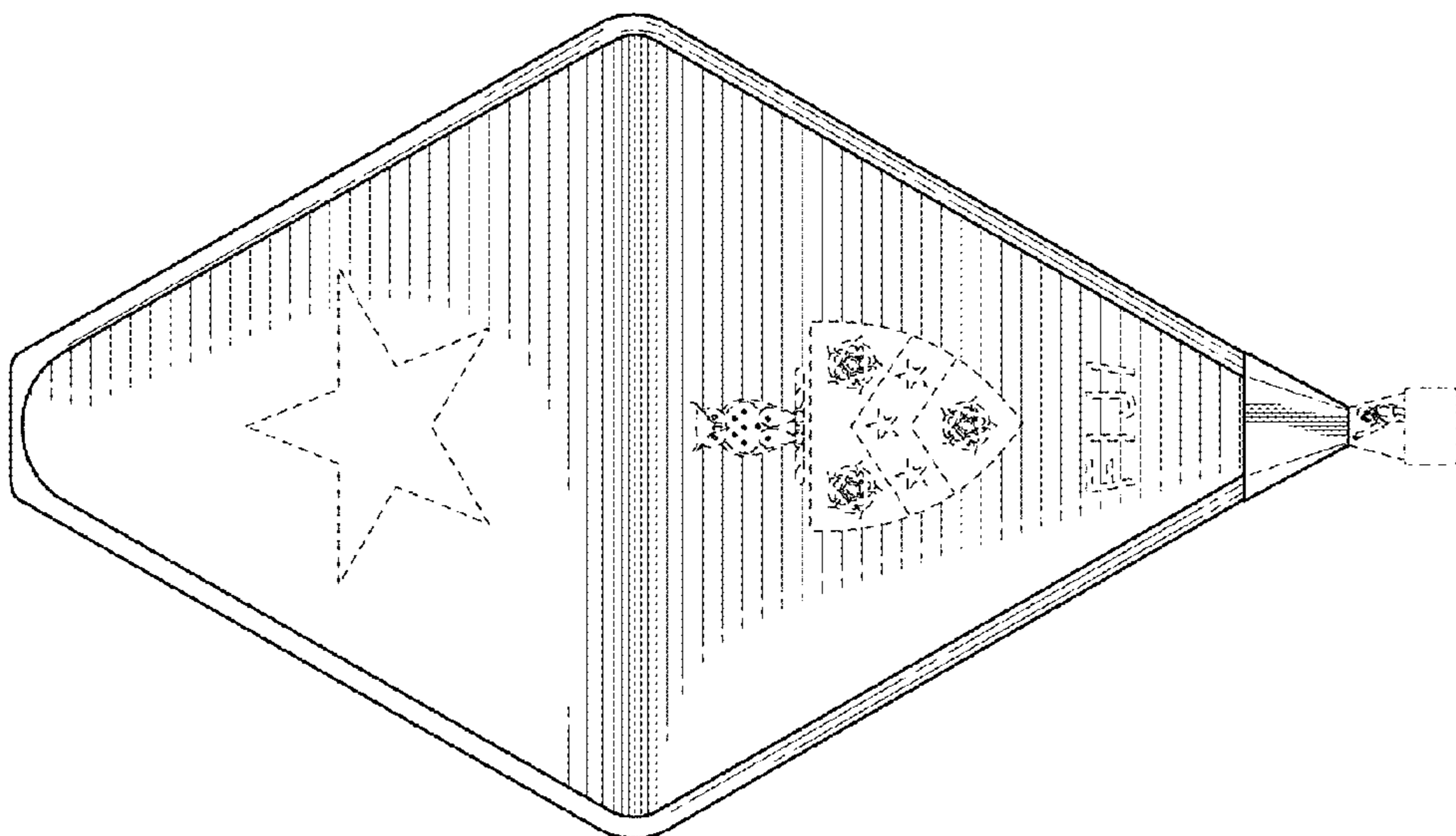


FIG. 2

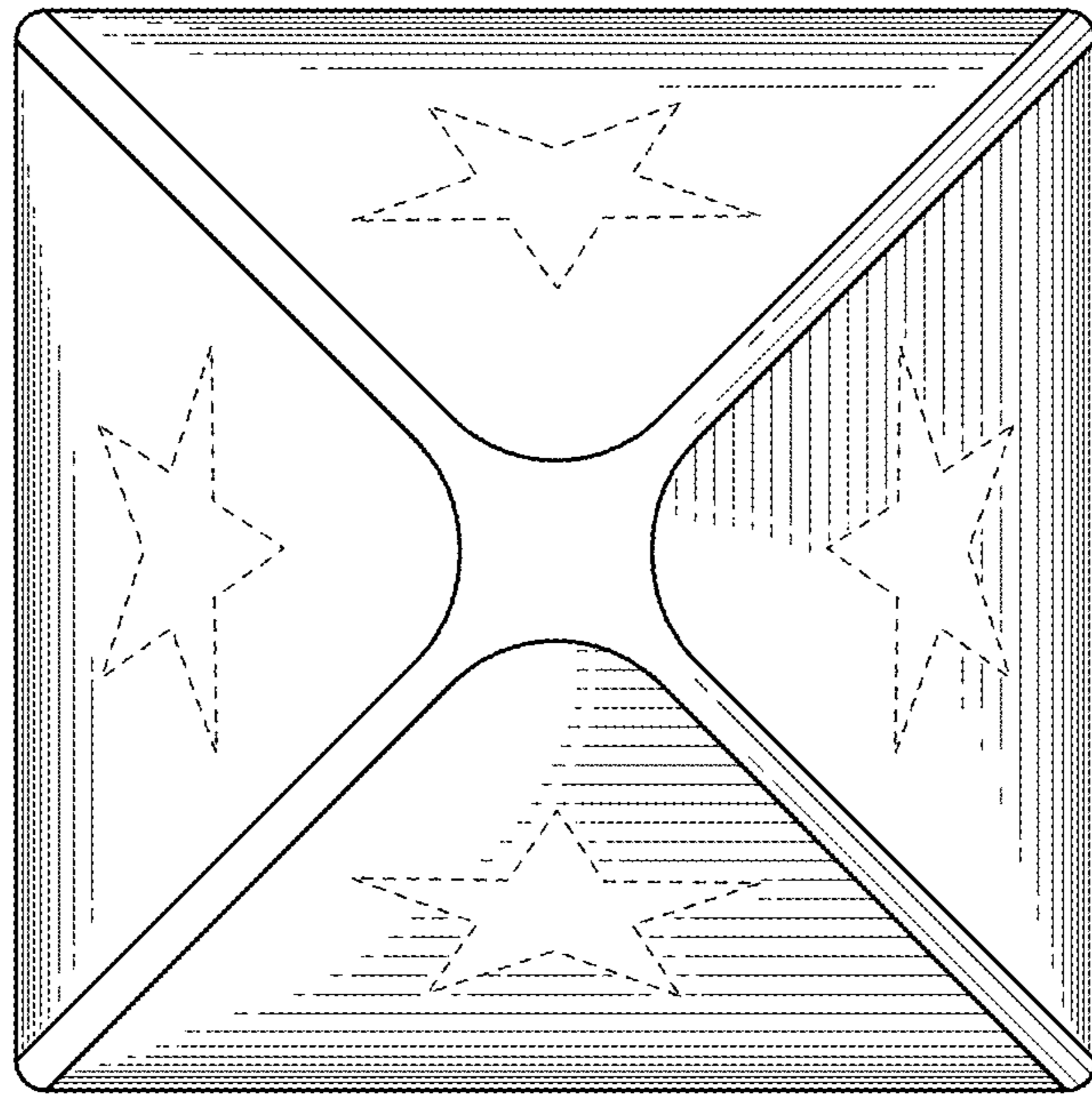


FIG. 4

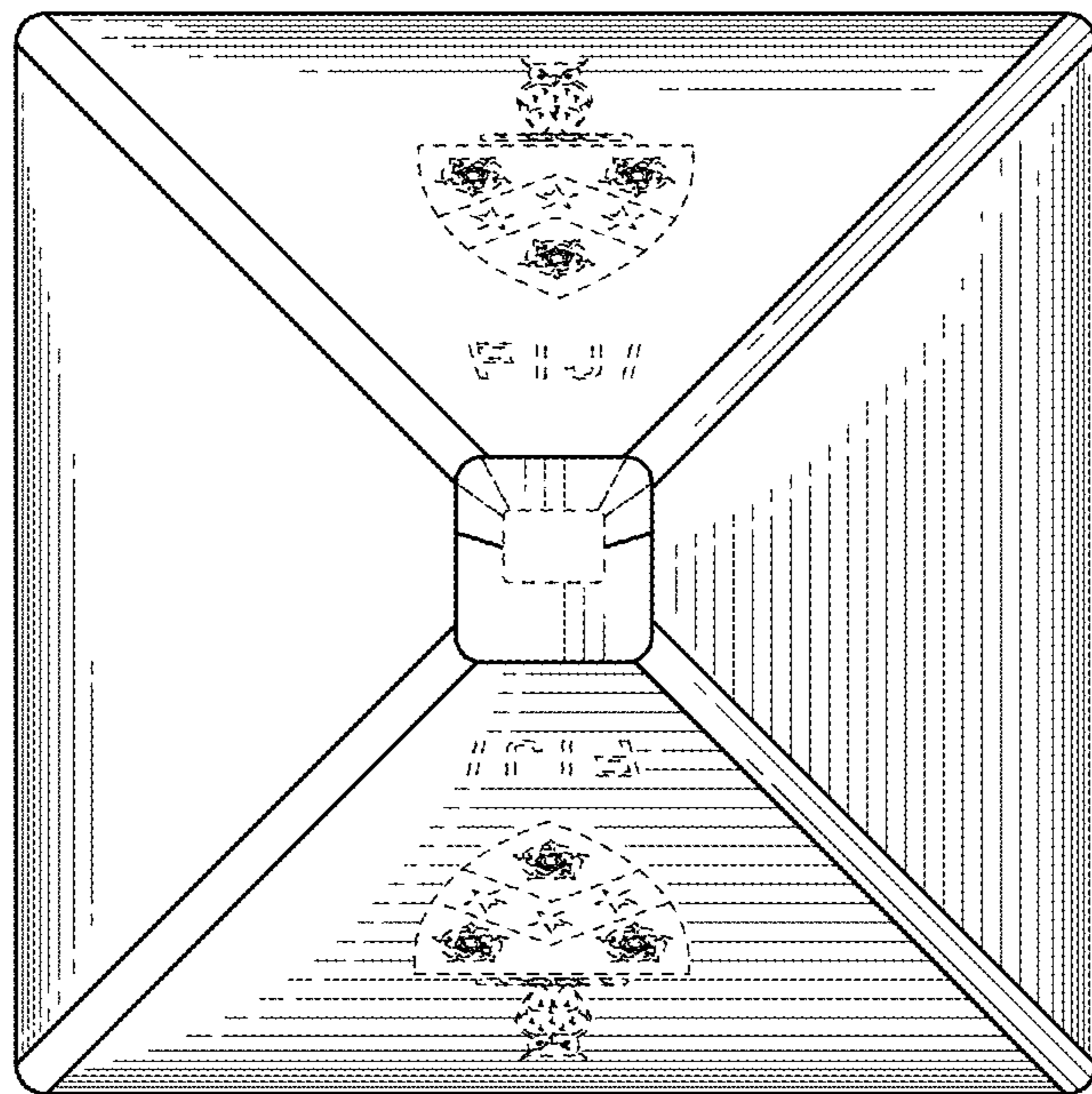


FIG. 5