



US00D730801S

(12) **United States Design Patent**  
**Herzberger**

(10) **Patent No.:** **US D730,801 S**  
(45) **Date of Patent:** **\*\* Jun. 2, 2015**

(54) **WAVE FORMING DEVICE**

(71) Applicant: **Joseph Herzberger**, Cumming, GA  
(US)

(72) Inventor: **Joseph Herzberger**, Cumming, GA  
(US)

(\*\*) Term: **14 Years**

(21) Appl. No.: **29/486,233**

(22) Filed: **Mar. 27, 2014**

(51) **LOC (10) Cl.** ..... **12-06**

(52) **U.S. Cl.**  
USPC ..... **D12/317**

(58) **Field of Classification Search**  
USPC ..... D12/300-318; 114/242, 244, 245, 284,  
114/285, 288; 4/491, 492; 405/21, 26, 79;  
441/65; 472/117, 128  
CPC ..... A63B 69/00; B63C 11/46; B63B 1/16;  
B63B 1/20; B63B 1/22; B63B 1/32  
See application file for complete search history.

(56) **References Cited**

**U.S. PATENT DOCUMENTS**

5,664,910	A *	9/1997	Lochtefeld et al.	405/79
5,860,766	A	1/1999	Lochtefeld et al.	
5,911,190	A	6/1999	Lochtefeld et al.	
6,019,547	A *	2/2000	Hill	405/79
6,047,657	A *	4/2000	Cox	114/242

6,105,527	A	8/2000	Lochtefeld et al.	
7,140,318	B1	11/2006	Gasper	
7,216,601	B1	5/2007	Mann	
7,252,047	B1 *	8/2007	Baucom, Jr.	114/284
7,434,531	B1 *	10/2008	Zsido et al.	114/284
8,534,214	B1	9/2013	Gasper	
8,539,897	B1	9/2013	Gasper	
8,578,873	B2	11/2013	Gasper et al.	
8,833,286	B1 *	9/2014	Sheedy et al.	114/285
2005/0155540	A1 *	7/2005	Moore	114/219
2010/0251952	A1 *	10/2010	Baywol	114/285
2013/0213293	A1 *	8/2013	Gasper et al.	114/284

\* cited by examiner

*Primary Examiner* — Cynthia M Chin

(74) *Attorney, Agent, or Firm* — Kelly & Krause, L.P.; W. Dennis Drehkoff

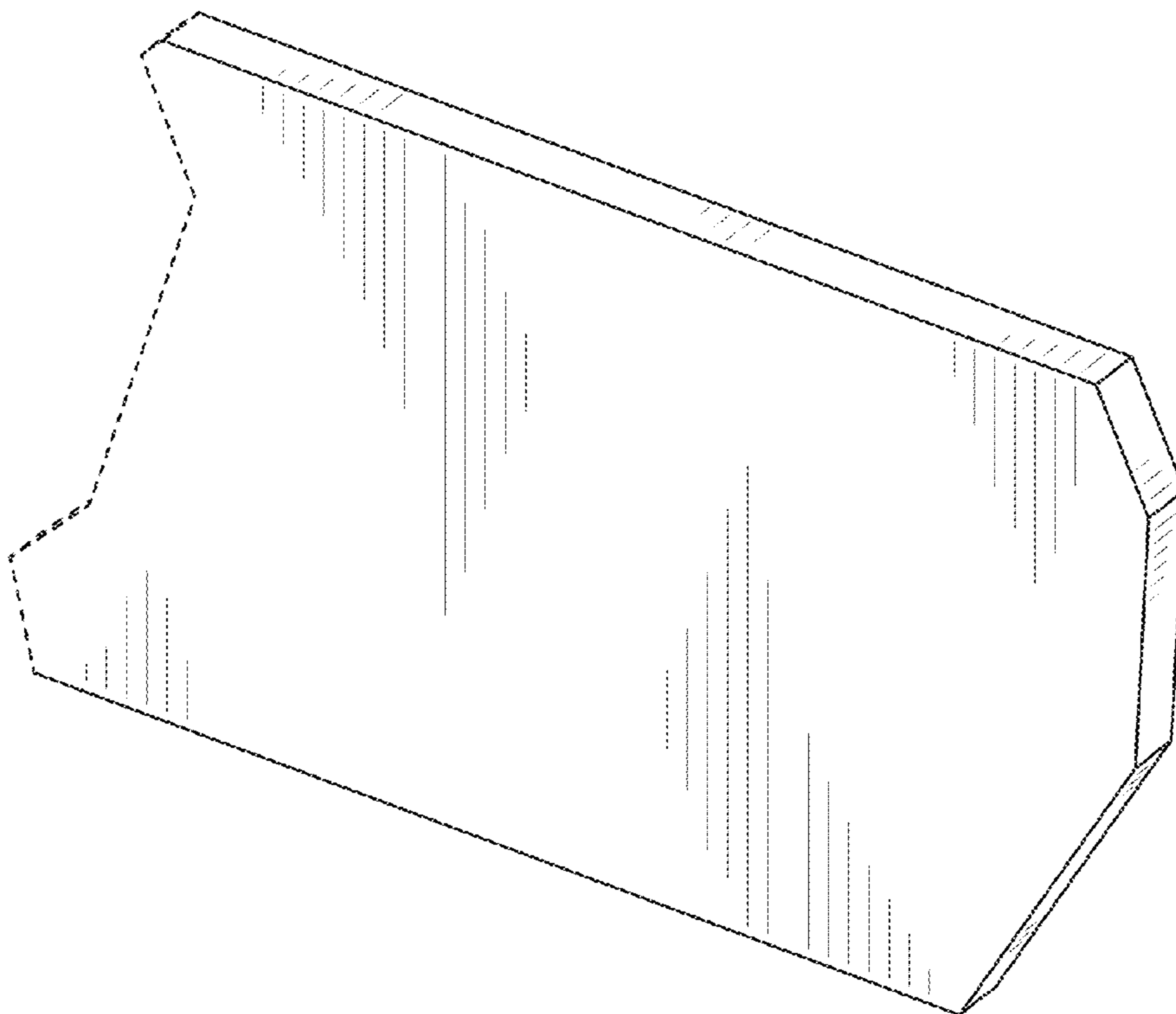
(57) **CLAIM**

The ornamental design for a wave forming device, as shown and described.

**DESCRIPTION**

FIG. 1 is a perspective view of a wave forming device showing my new design;  
FIG. 2 is a rear view thereof;  
FIG. 3 is a front view thereof;  
FIG. 4 is a side view thereof;  
FIG. 5 is a side view thereof;  
FIG. 6 is a top view thereof; and,  
FIG. 7 is a bottom view thereof.  
The broken lines represent unclaimed subject matter.

**1 Claim, 2 Drawing Sheets**



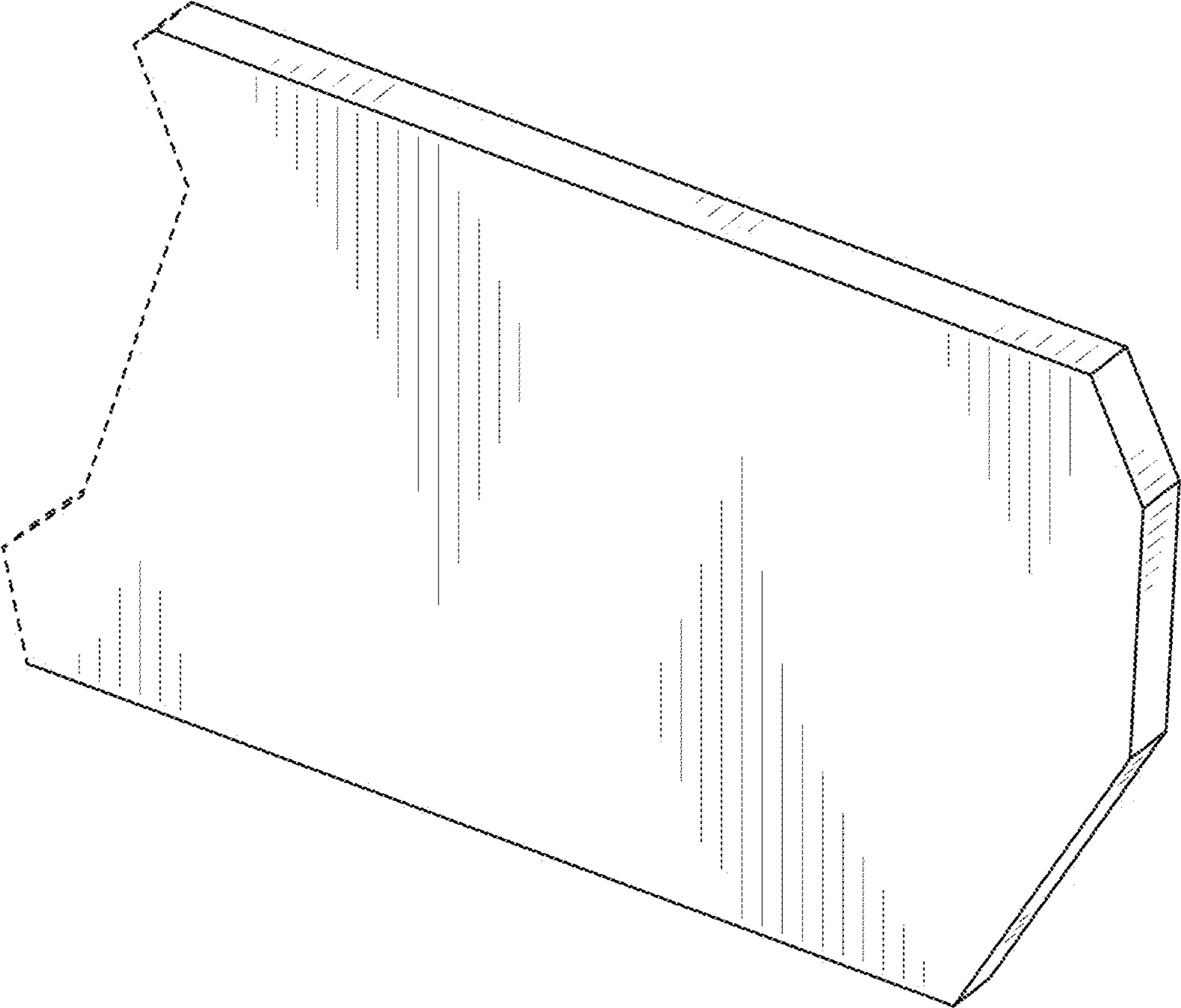


FIG. 1

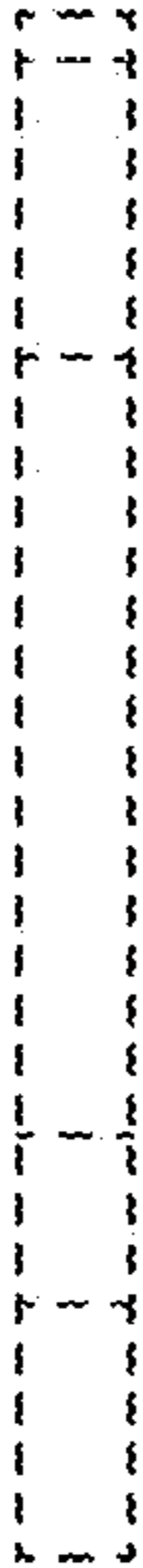


FIG. 2



FIG. 3

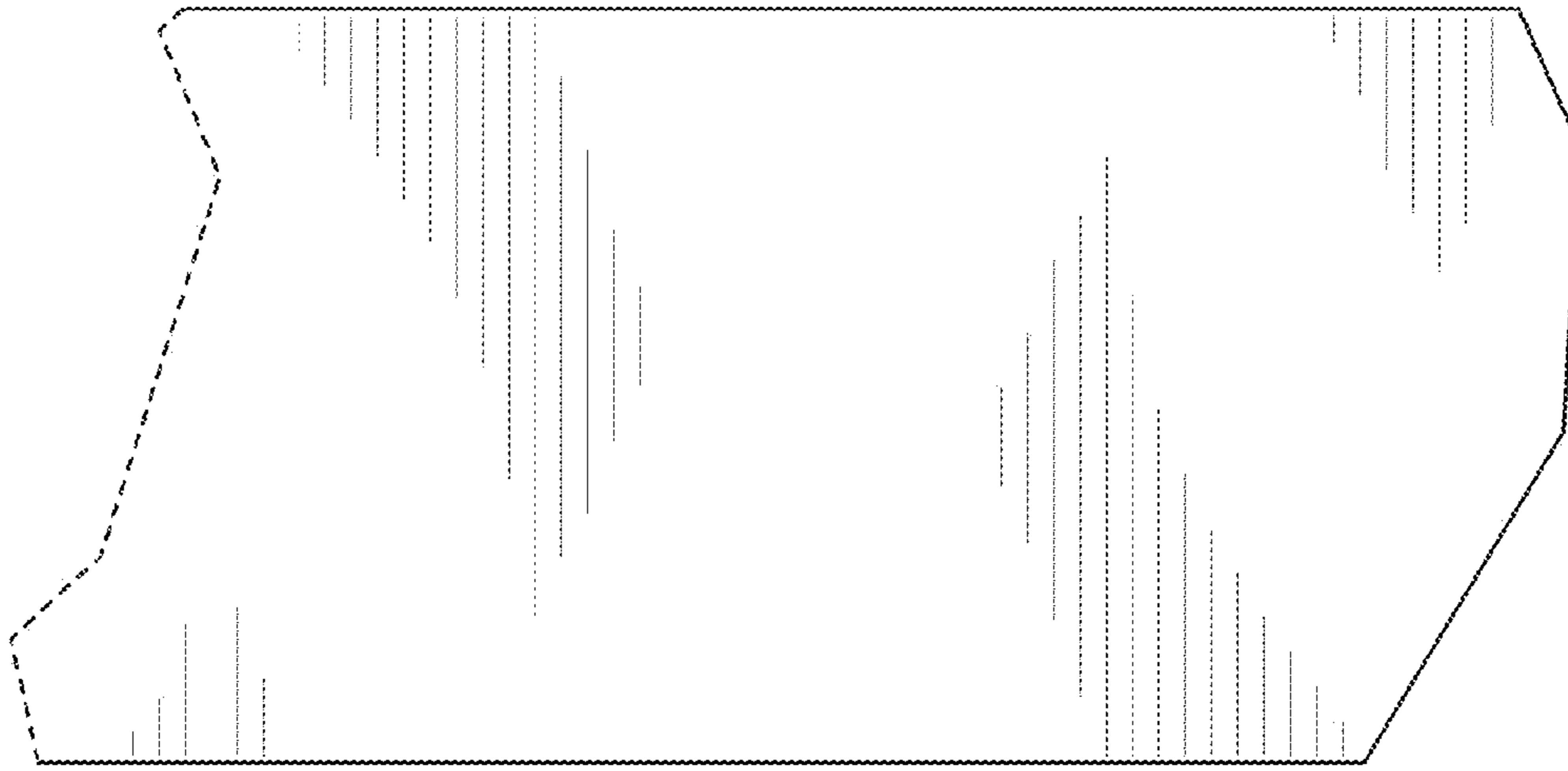


FIG. 4

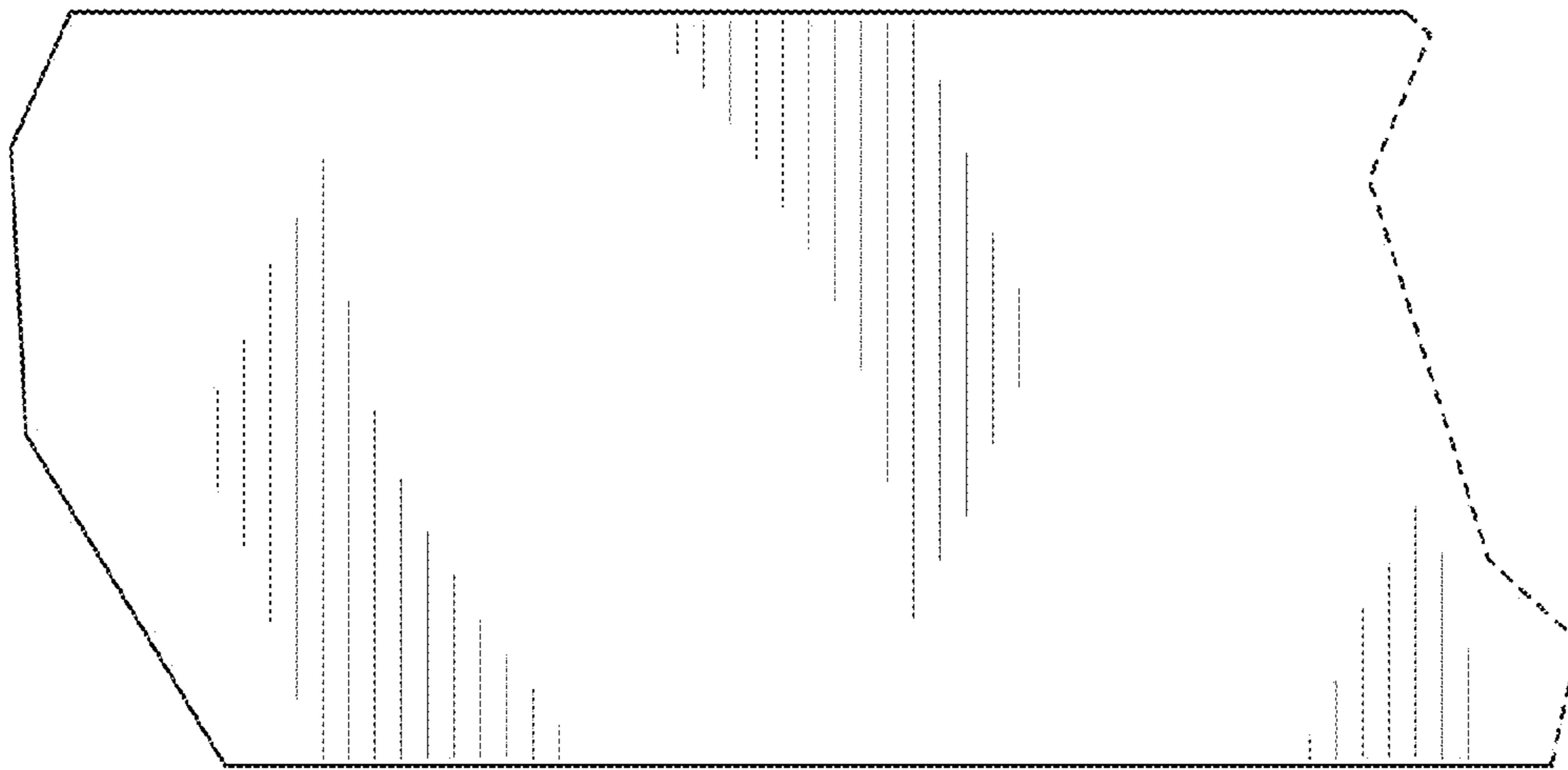


FIG. 5



FIG. 6

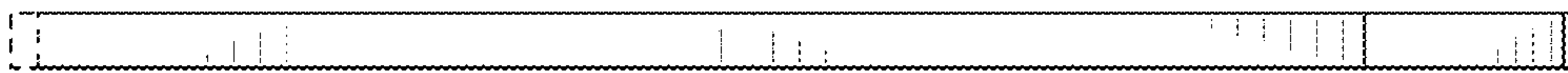


FIG. 7