

US00D730800S

(12) **United States Design Patent**
Behmer et al.

(10) **Patent No.:** **US D730,800 S**
(45) **Date of Patent:** **** Jun. 2, 2015**

(54) **VEHICLE WHEEL**

(71) Applicant: **Ford Motor Company**, Dearborn, MI (US)

(72) Inventors: **Darrell Behmer**, Novi, MI (US); **Henry Bernardo**, Southfield, MI (US); **Damon Depeyster**, Northville, MI (US)

(73) Assignee: **Ford Motor Company**, Dearborn, MI (US)

(**) Term: **14 Years**

(21) Appl. No.: **29/508,896**

(22) Filed: **Nov. 12, 2014**

(51) **LOC (10) Cl.** **12-16**

(52) **U.S. Cl.**
USPC **D12/211**

(58) **Field of Classification Search**
USPC D12/204–213
CPC B60B 7/00; B60B 7/02; B60B 7/04; B60B 7/01; B60B 7/06; B60B 3/02; B60B 3/04; B60B 3/06; B60B 3/10; B60B 1/00; B60B 1/08; B60B 1/10; B60B 1/12
See application file for complete search history.

(56) **References Cited**

U.S. PATENT DOCUMENTS

D258,503 S *	3/1981	Seiple	D12/211
D392,611 S *	3/1998	Echazabal et al.	D12/211
D409,552 S *	5/1999	Chung	D12/211
D447,993 S *	9/2001	Neeper	D12/211
D451,463 S *	12/2001	Murkett et al.	D12/209
D456,333 S *	4/2002	Pollmann	D12/211
D466,854 S *	12/2002	Kern	D12/211
D475,337 S *	6/2003	Kataoka	D12/209
D494,917 S *	8/2004	Pollmann	D12/211

D513,727 S *	1/2006	Gallert	D12/211
D519,436 S *	4/2006	Chen	D12/211
D535,241 S *	1/2007	Kim	D12/211
D566,642 S *	4/2008	Scheu	D12/211
D568,800 S *	5/2008	Huet	D12/211
D593,019 S *	5/2009	Tirado	D12/209
D608,713 S	1/2010	Bucher et al.	
D608,714 S	1/2010	Bucher et al.	
D608,715 S	1/2010	Bucher et al.	
D617,716 S *	6/2010	Lamm et al.	D12/211
D620,870 S *	8/2010	Powell	D12/211
D638,768 S *	5/2011	Nissl	D12/211
D643,795 S *	8/2011	Nissl	D12/211
D658,107 S *	4/2012	Pollmann et al.	D12/211
D670,635 S *	11/2012	Pollmann	D12/211
D671,472 S *	11/2012	Pollmann	D12/209
D693,755 S *	11/2013	Valencia Pollex	D12/209
D697,859 S *	1/2014	Borkert	D12/211

OTHER PUBLICATIONS

Jason Udy. Spied: Refreshed 2016 Ford Explorer Loses Some Camo. Oct. 11, 2014 [online], [retrieved on Nov. 3, 2014] Retrieved from the Internet <URL: http://wot.motortrend.com/1410_spied_refreshed_2016_ford_explorer_loses_some_camo.html>.
2016 Ford Explorer SUV Review. [retrieved on Nov. 3, 2014] Retrieved from the Internet <URL: <http://www.edmunds.com/ford/explorer/2016/>>.

* cited by examiner

Primary Examiner — Stacia Cadmus

(74) *Attorney, Agent, or Firm* — Damian Porcari

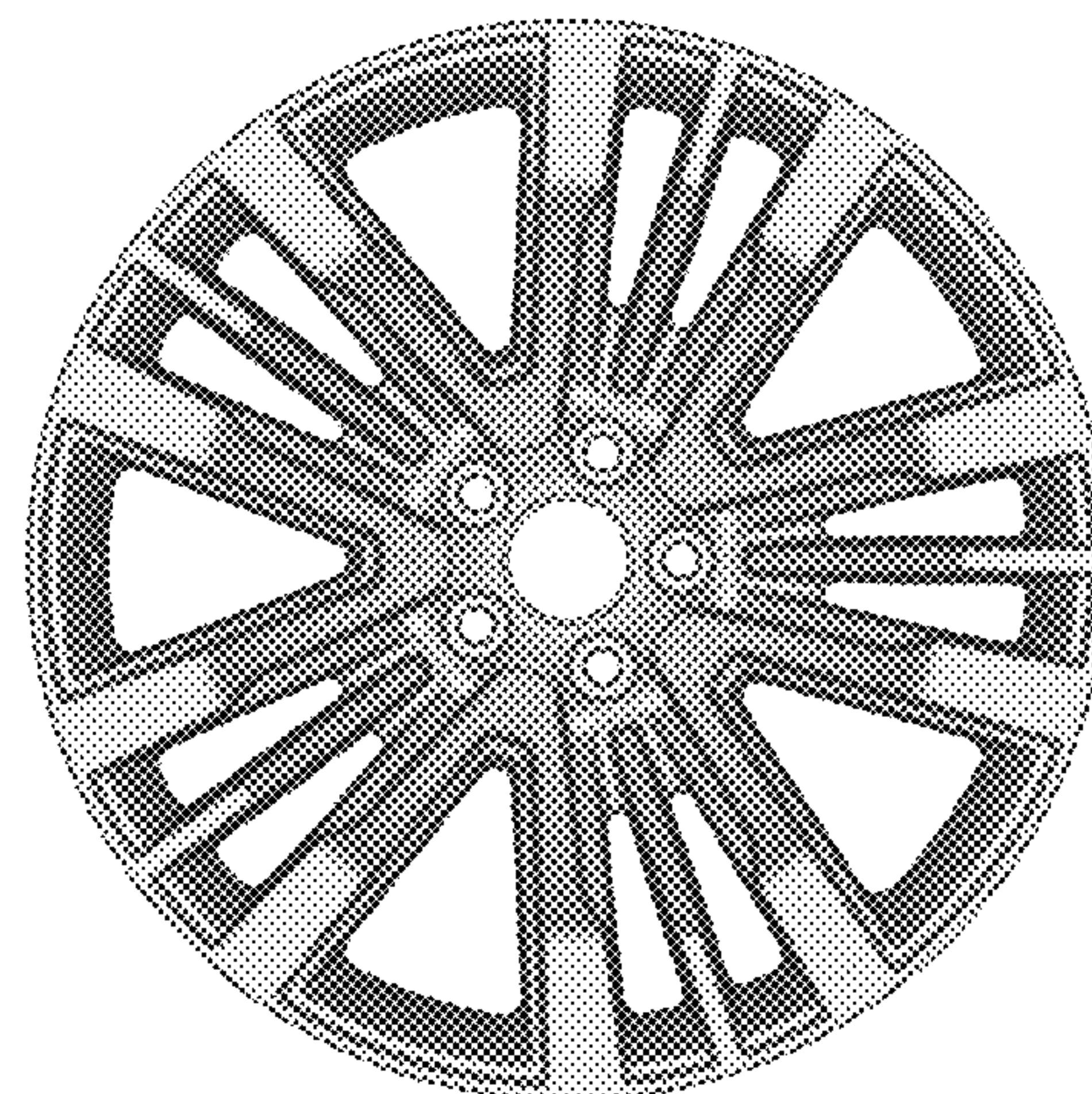
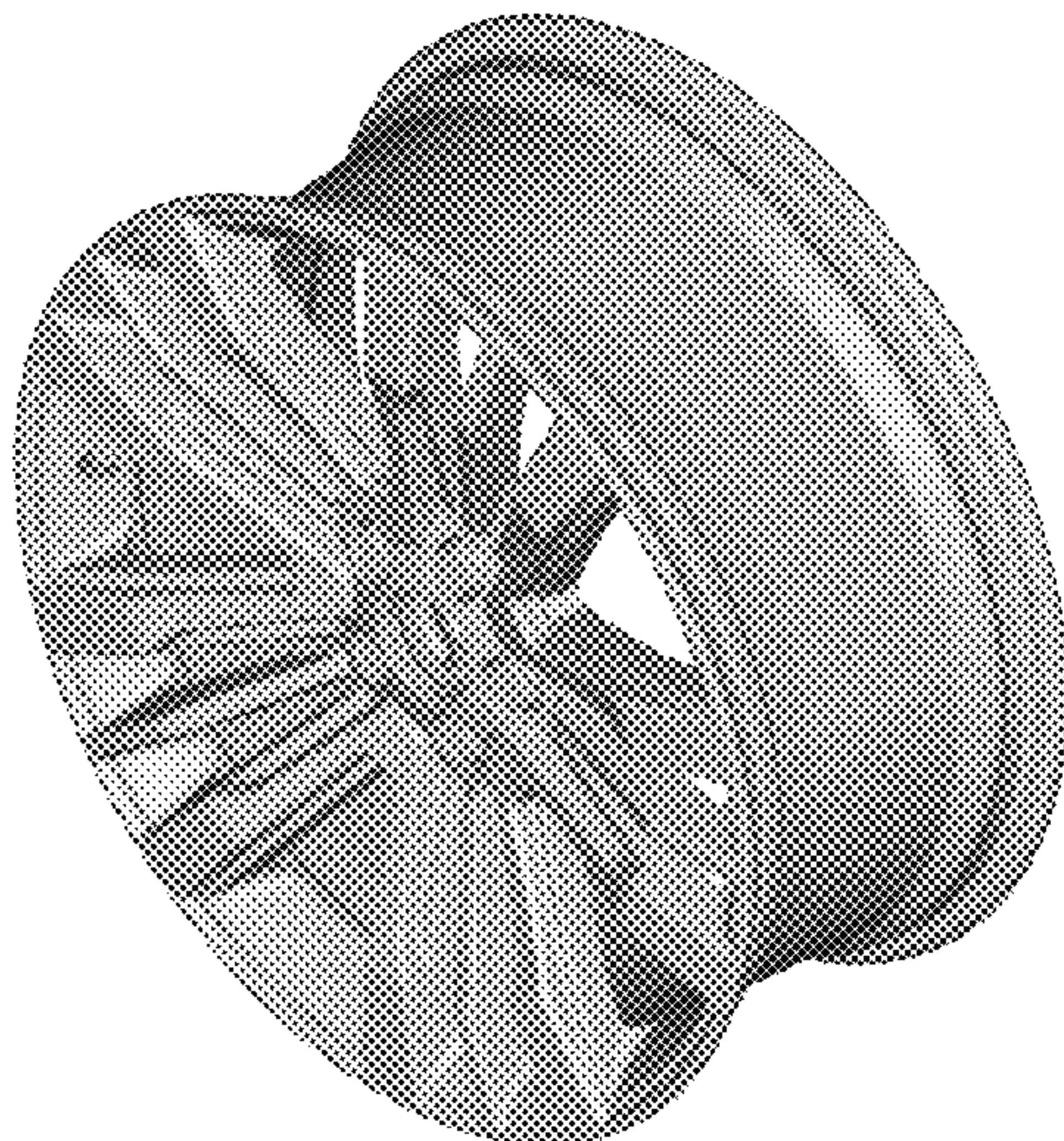
(57) **CLAIM**

The ornamental design for a vehicle wheel, as shown and described.

DESCRIPTION

FIG. 1 is a perspective view of a vehicle wheel; and, FIG. 2 is a front view thereof.

1 Claim, 2 Drawing Sheets



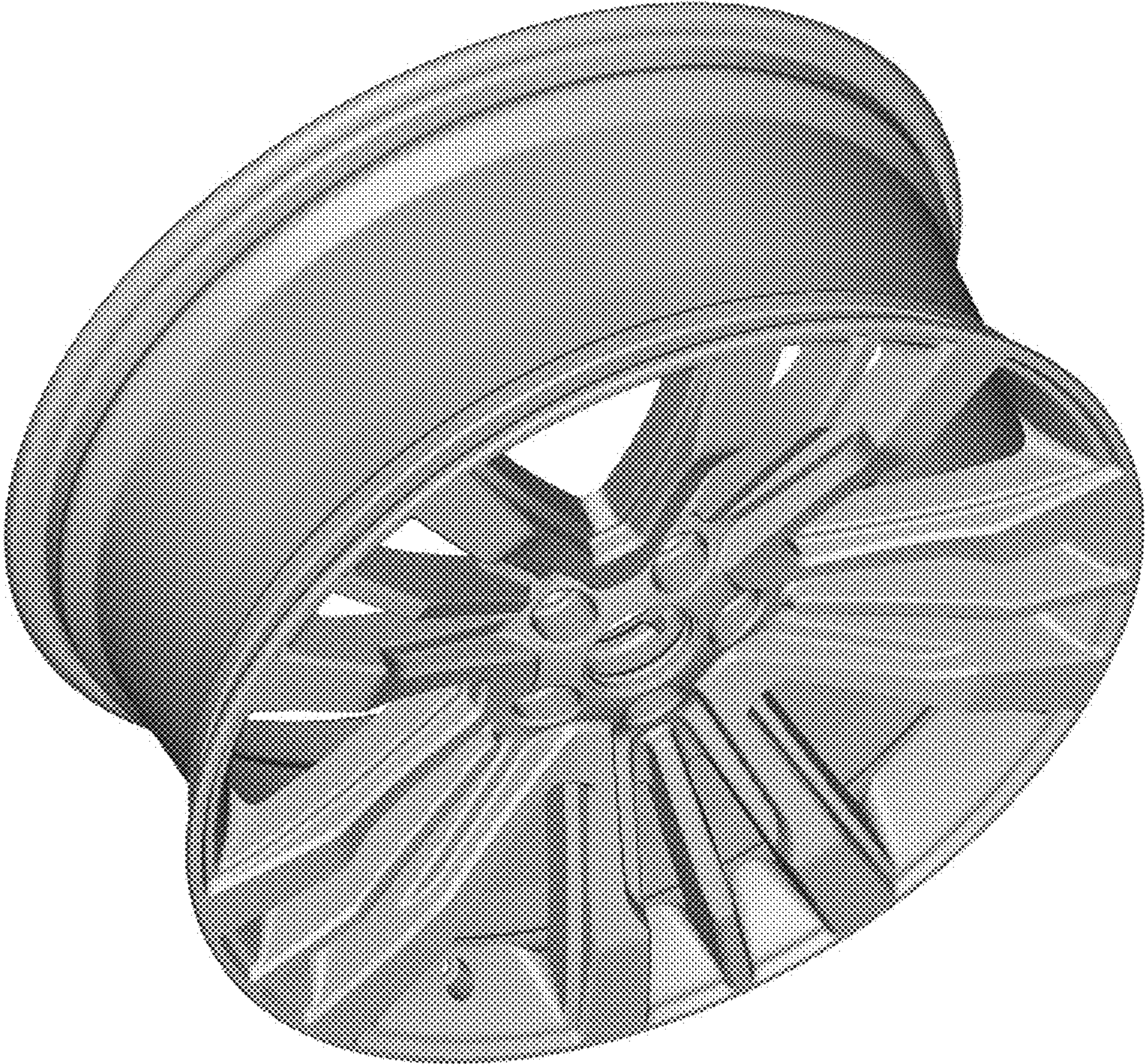


Figure 1



Figure 2