

US00D730799S

(12) **United States Design Patent**
Hans et al.

(10) **Patent No.:** **US D730,799 S**
(45) **Date of Patent:** **** Jun. 2, 2015**

- (54) **WHEEL OR WHEEL COVER**
- (71) Applicant: **Daimler AG**, Stuttgart (DE)
- (72) Inventors: **Bernhard Hans**, Kirchberg (DE); **Kai Hilpert**, Plochingen (DE)
- (73) Assignee: **Daimler AG**, Stuttgart (DE)
- (**) Term: **14 Years**
- (21) Appl. No.: **29/515,876**
- (22) Filed: **Jan. 28, 2015**
- (30) **Foreign Application Priority Data**

Jul. 31, 2014 (EM) 002512251-0006

- (51) **LOC (10) Cl.** **12-16**
- (52) **U.S. Cl.**
USPC **D12/209**
- (58) **Field of Classification Search**
USPC D12/204–213
CPC B60B 7/00; B60B 7/02; B60B 7/04;
B60B 7/01; B60B 7/06; B60B 3/02; B60B
3/04; B60B 3/06; B60B 3/10; B60B 1/00;
B60B 1/08; B60B 1/10; B60B 1/12
See application file for complete search history.

(56) **References Cited**
U.S. PATENT DOCUMENTS

- D375,716 S * 11/1996 Dehner D12/209
- D390,180 S * 2/1998 Dehner D12/209

- D455,693 S * 4/2002 Sato et al. D12/209
- D513,222 S * 12/2005 Pohanka D12/211
- D569,322 S * 5/2008 Scheu D12/211
- D578,947 S * 10/2008 Arora D12/209
- D588,517 S * 3/2009 Aroney D12/211
- D590,322 S * 4/2009 Rak D12/211
- D626,051 S * 10/2010 Fisker et al. D12/209
- D644,589 S * 9/2011 Fisker et al. D12/211
- D655,657 S * 3/2012 Juergens et al. D12/209
- D660,767 S * 5/2012 von Holzhausen et al. . D12/209
- D663,247 S * 7/2012 Bildhaeuser D12/209
- D666,958 S * 9/2012 Suzuki D12/211
- D671,058 S * 11/2012 Hermann et al. D12/209
- D671,876 S * 12/2012 Roura D12/209
- D676,794 S * 2/2013 Hilpert D12/209
- D678,163 S * 3/2013 Tirado D12/209
- D686,132 S * 7/2013 Truebsbach D12/209
- D695,185 S * 12/2013 Juergens et al. D12/209
- D697,861 S * 1/2014 Lemke D12/211

* cited by examiner

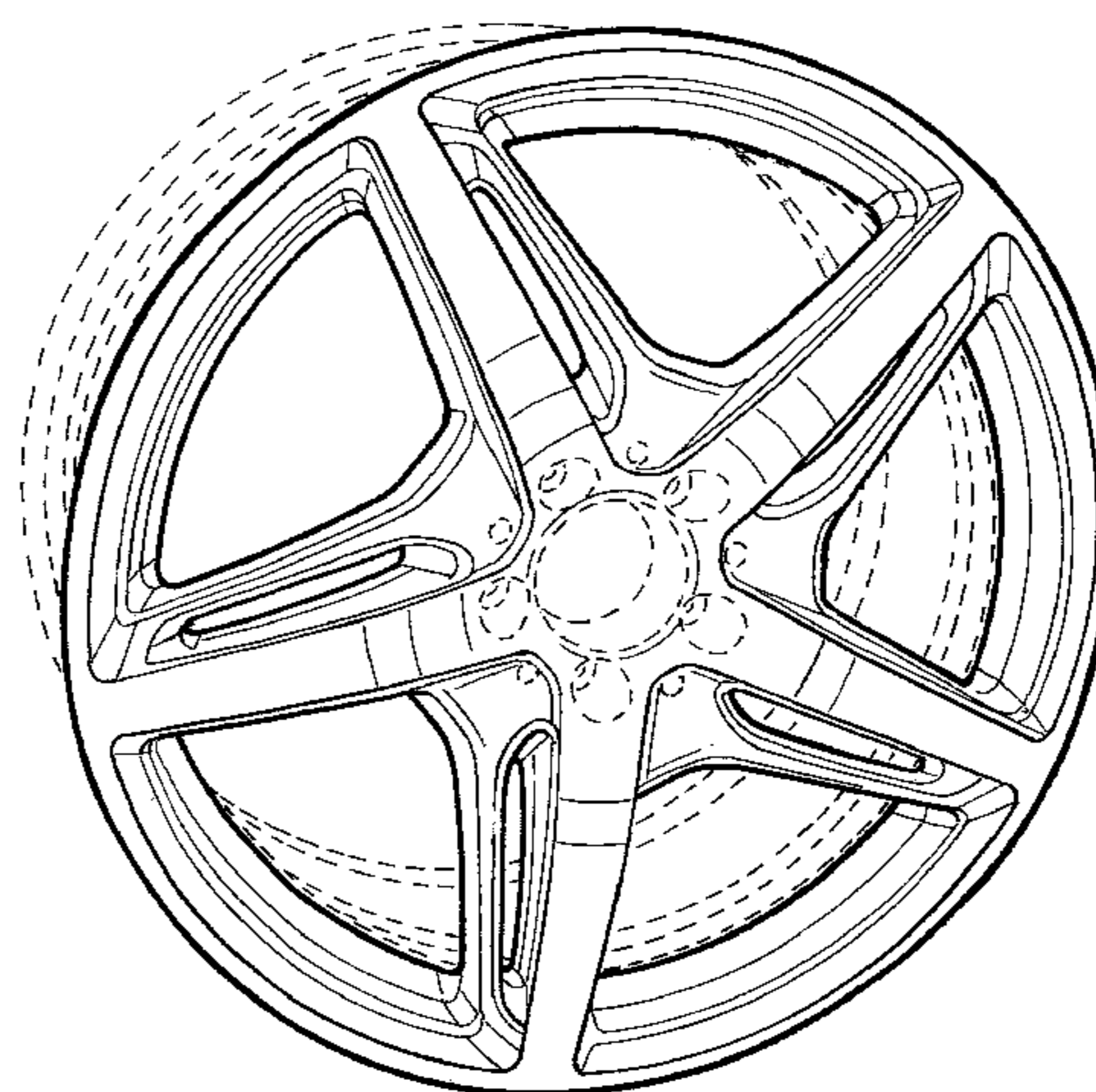
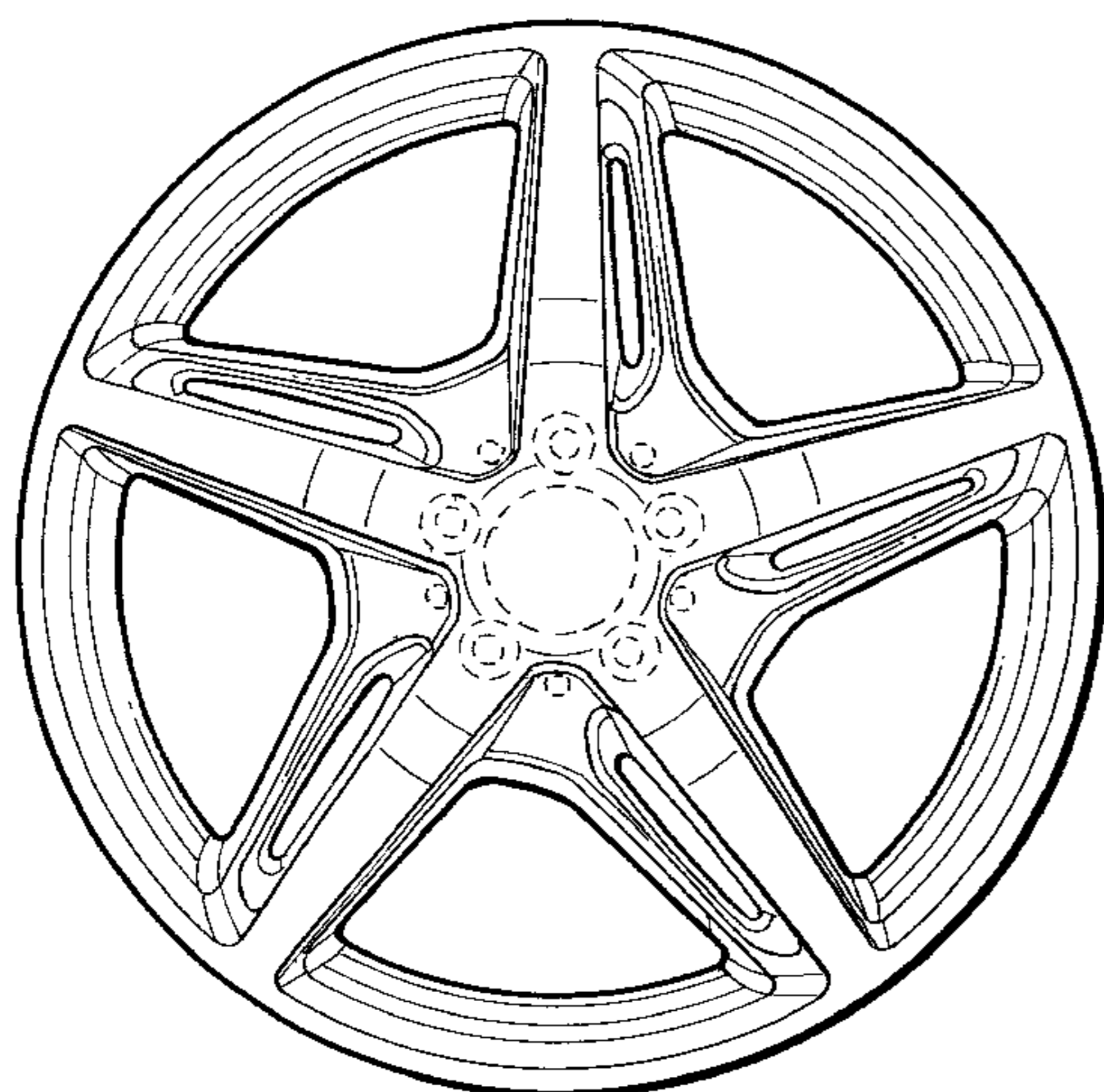
Primary Examiner — Stacia Cadmus
(74) *Attorney, Agent, or Firm* — Crowell & Moring LLP

(57) **CLAIM**
The ornamental design for a wheel or wheel cover, as shown and described.

DESCRIPTION

FIG. 1 is a front view of a wheel or wheel cover according to the design; and,
FIG. 2 is a perspective view thereof.
The broken lines are for illustrative purposes only and form no part of the claimed design.

1 Claim, 1 Drawing Sheet



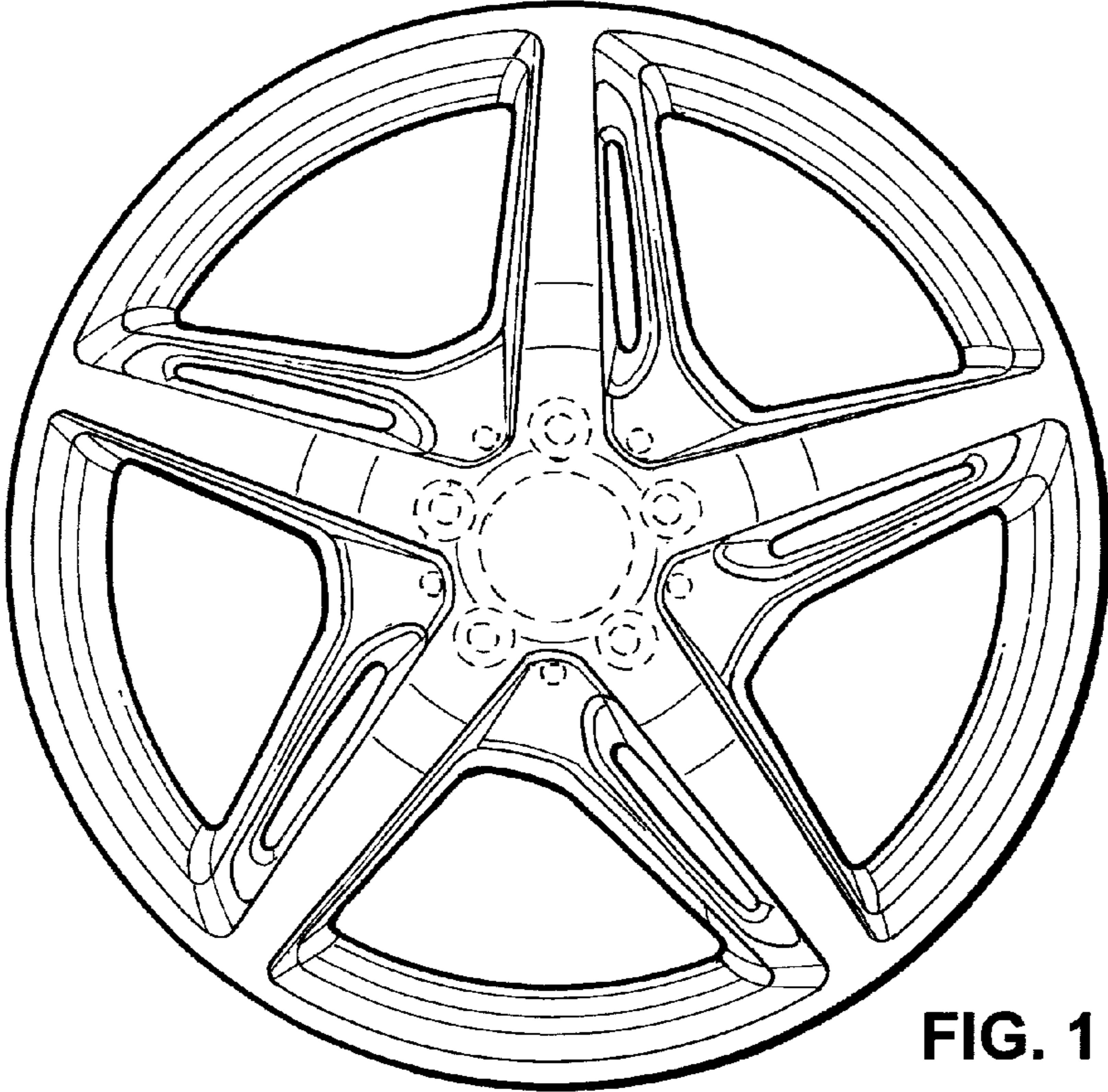


FIG. 1

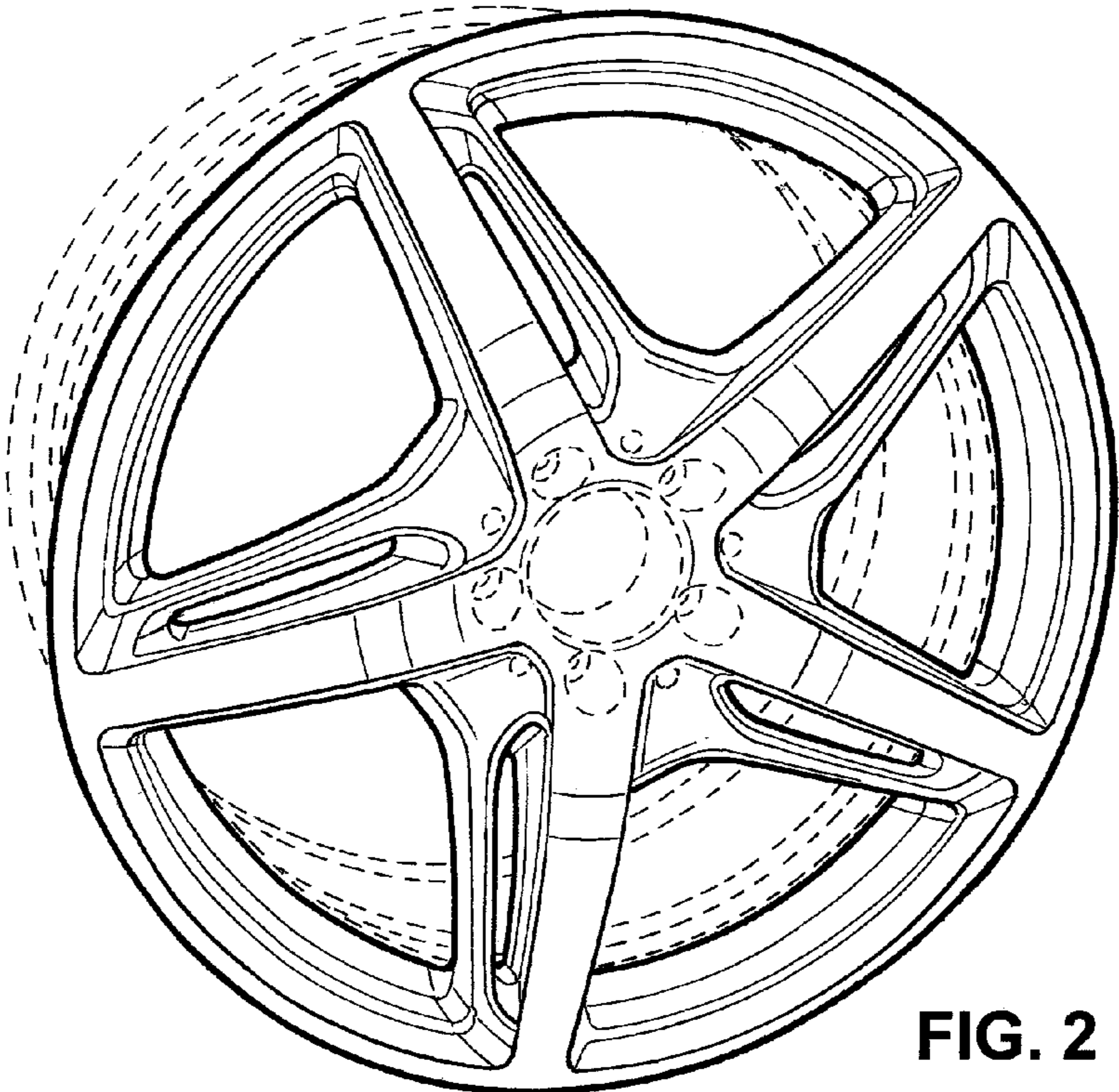


FIG. 2