



US00D730797S

(12) **United States Design Patent**  
**Caswell et al.**

(10) **Patent No.:** **US D730,797 S**  
(45) **Date of Patent:** **\*\* Jun. 2, 2015**

(54) **VEHICLE WHEEL**

(71) Applicant: **Ford Motor Company**, Dearborn, MI (US)

(72) Inventors: **John C. Caswell**, Grosse Pointe, MI (US); **David C. Mahoney**, Orchard Lake, MI (US); **Christopher Hamilton**, Cold Norton (GB)

(\*\*) Term: **14 Years**

(21) Appl. No.: **29/491,449**

(22) Filed: **May 21, 2014**

(51) **LOC (10) Cl.** ..... **12-16**

(52) **U.S. Cl.**  
USPC ..... **D12/209**

(58) **Field of Classification Search**  
USPC ..... D12/204–213  
CPC ..... B60B 7/00; B60B 7/02; B60B 7/04; B60B 7/01; B60B 7/06; B60B 3/02; B60B 3/04; B60B 3/06; B60B 3/10; B60B 1/00; B60B 1/08; B60B 1/10; B60B 1/12  
See application file for complete search history.

(56) **References Cited**

U.S. PATENT DOCUMENTS

D460,728 S \* 7/2002 Clarke ..... D12/209  
D480,672 S \* 10/2003 Pfeiffer et al. .... D12/209  
D491,123 S \* 6/2004 Lai ..... D12/209

D499,059 S \* 11/2004 Cahyono ..... D12/209  
D499,681 S \* 12/2004 Boyer ..... D12/209  
D504,649 S \* 5/2005 Pfeiffer ..... D12/209  
D504,858 S \* 5/2005 Pfeiffer ..... D12/209  
D505,373 S \* 5/2005 Pfeiffer ..... D12/209  
D576,533 S \* 9/2008 Gallert ..... D12/209  
D589,864 S \* 4/2009 Friedrich et al. .... D12/209  
D617,247 S \* 6/2010 Gallert ..... D12/209  
D618,605 S \* 6/2010 Zhao ..... D12/209  
D619,069 S \* 7/2010 Patel ..... D12/209  
D619,072 S \* 7/2010 Gallert ..... D12/211  
D623,574 S \* 9/2010 Thompson ..... D12/211  
D653,597 S \* 2/2012 Davidson et al. .... D12/209  
D662,868 S \* 7/2012 Furst et al. .... D12/209  
D685,708 S \* 7/2013 Gallert ..... D12/209  
D703,124 S \* 4/2014 Gallert ..... D12/209  
D713,311 S \* 9/2014 Yoon ..... D12/209  
D721,027 S \* 1/2015 Mays et al. .... D12/209

\* cited by examiner

*Primary Examiner* — Stacia Cadmus

(74) *Attorney, Agent, or Firm* — Damian Porcari

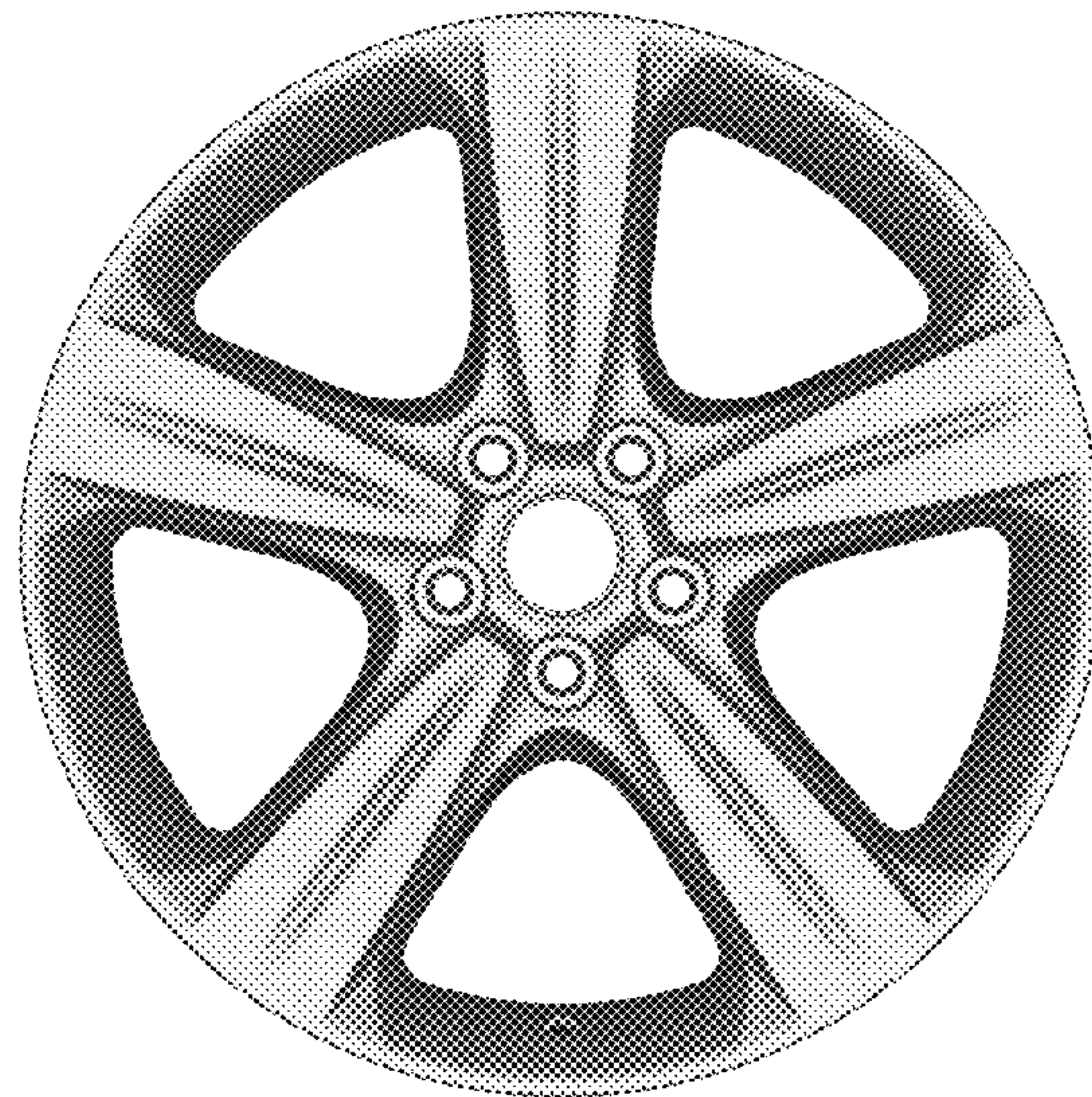
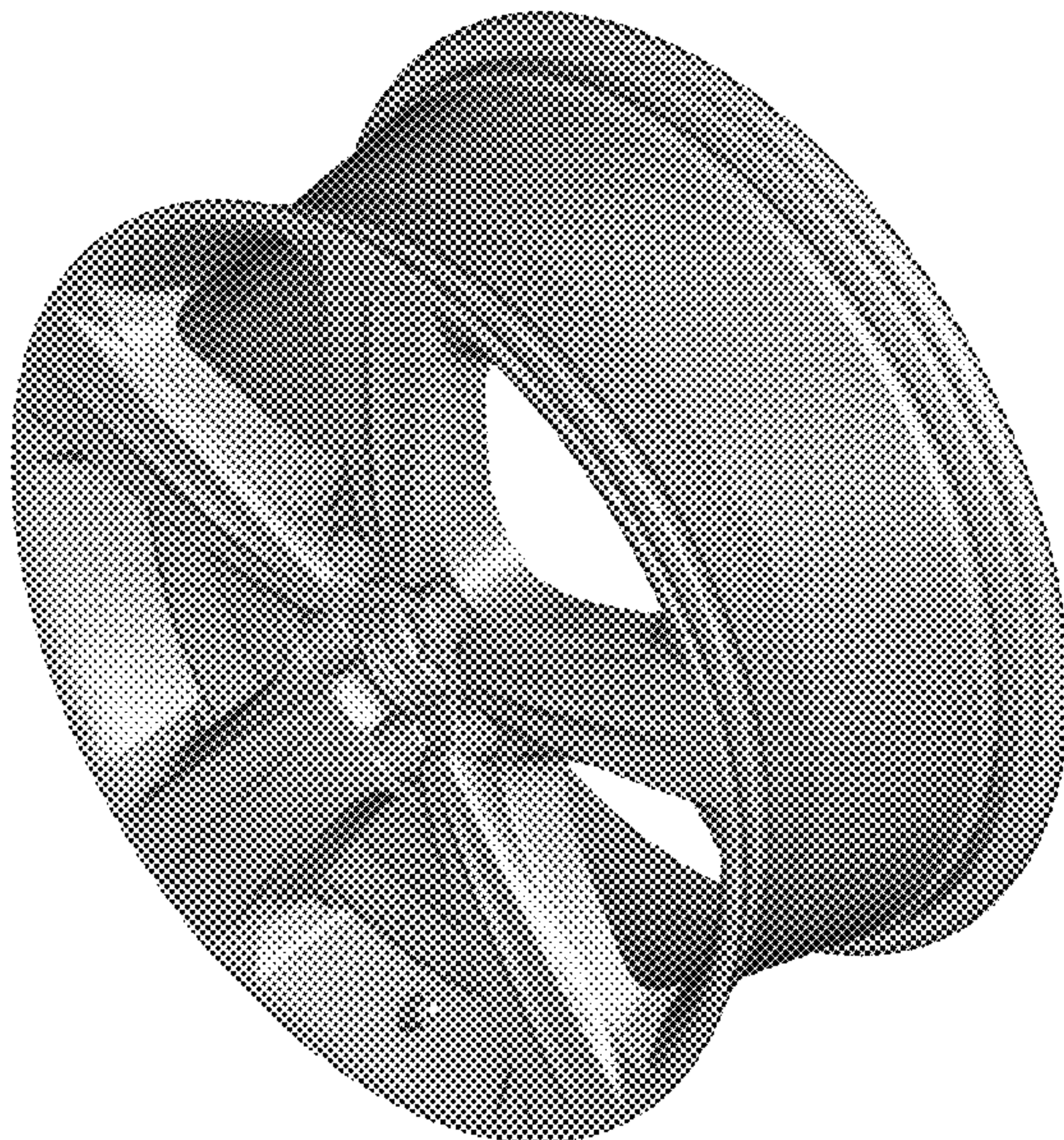
(57) **CLAIM**

The ornamental design for a vehicle wheel, as shown and described.

**DESCRIPTION**

FIG. 1 is a perspective view of a vehicle wheel; and, FIG. 2 is a front view thereof.

**1 Claim, 2 Drawing Sheets**





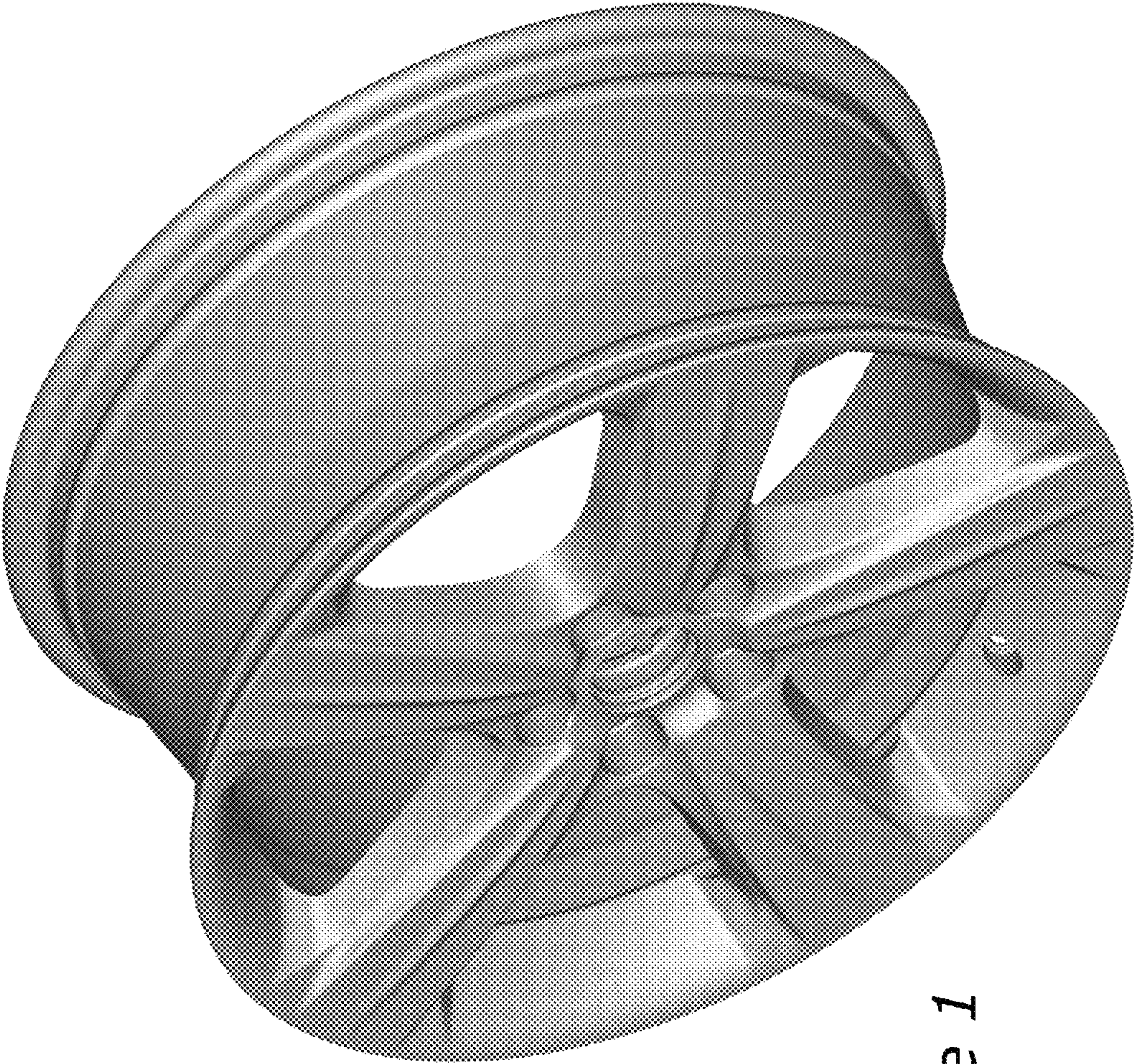


Figure 1





Figure 2