



US00D730796S

(12) **United States Design Patent**
Dingle et al.

(10) **Patent No.:** **US D730,796 S**

(45) **Date of Patent:** **** Jun. 2, 2015**

(54) **VEHICLE WHEEL**

(71) Applicant: **Carbon Revolution Pty Ltd**, Waurin Ponds, VIC (AU)

(72) Inventors: **Matthew Edward Dingle**, Torquay (AU); **Ashley James Denmead**, Belmont (AU); **Michael Dunbar Silcock**, Caulfield North (AU); **Donald Brett Gass**, Dreieich (DE)

(73) Assignee: **Carbon Revolution Pty Ltd**, Victoria (AU)

(**) Term: **14 Years**

(21) Appl. No.: **29/477,728**

(22) Filed: **Dec. 26, 2013**

(51) **LOC (10) Cl.** **12-16**

(52) **U.S. Cl.**
USPC **D12/209**

(58) **Field of Classification Search**
USPC D12/204–213
CPC B60B 7/00; B60B 7/02; B60B 7/04; B60B 7/01; B60B 7/06; B60B 3/02; B60B 3/04; B60B 3/06; B60B 3/10; B60B 1/00; B60B 1/08; B60B 1/10; B60B 1/12
See application file for complete search history.

(56) **References Cited**

U.S. PATENT DOCUMENTS

D231,656 S * 5/1974 Ishibashi D12/211
D350,523 S * 9/1994 Mobius D12/209
D391,913 S * 3/1998 Chung D12/209

D428,592 S * 7/2000 Melegari et al. D12/209
D438,500 S * 3/2001 Embrador D12/209
D461,754 S * 8/2002 Hoshino D12/209
D486,108 S * 2/2004 Min D12/209
D492,234 S * 6/2004 Kataoka D12/209
D503,915 S * 4/2005 Markefka D12/209
D525,927 S * 8/2006 Pfeiffer D12/209
D535,933 S * 1/2007 Markefka D12/209
D544,426 S * 6/2007 Siler D12/209
D549,633 S * 8/2007 Sycha D12/209
D570,759 S * 6/2008 Antoniadis et al. D12/209
D644,154 S * 8/2011 Antoniadis et al. D12/209
D658,103 S * 4/2012 Choe et al. D12/209
D677,208 S * 3/2013 Gotschke D12/209
D693,283 S * 11/2013 Chinavare D12/209
D704,116 S * 5/2014 Chung D12/209
D713,312 S * 9/2014 Villarruel D12/209
D719,888 S * 12/2014 Stolz D12/209

* cited by examiner

Primary Examiner — Stacia Cadmus

(74) *Attorney, Agent, or Firm* — Womble Carlyle Sandridge & Rice LLP

(57) **CLAIM**

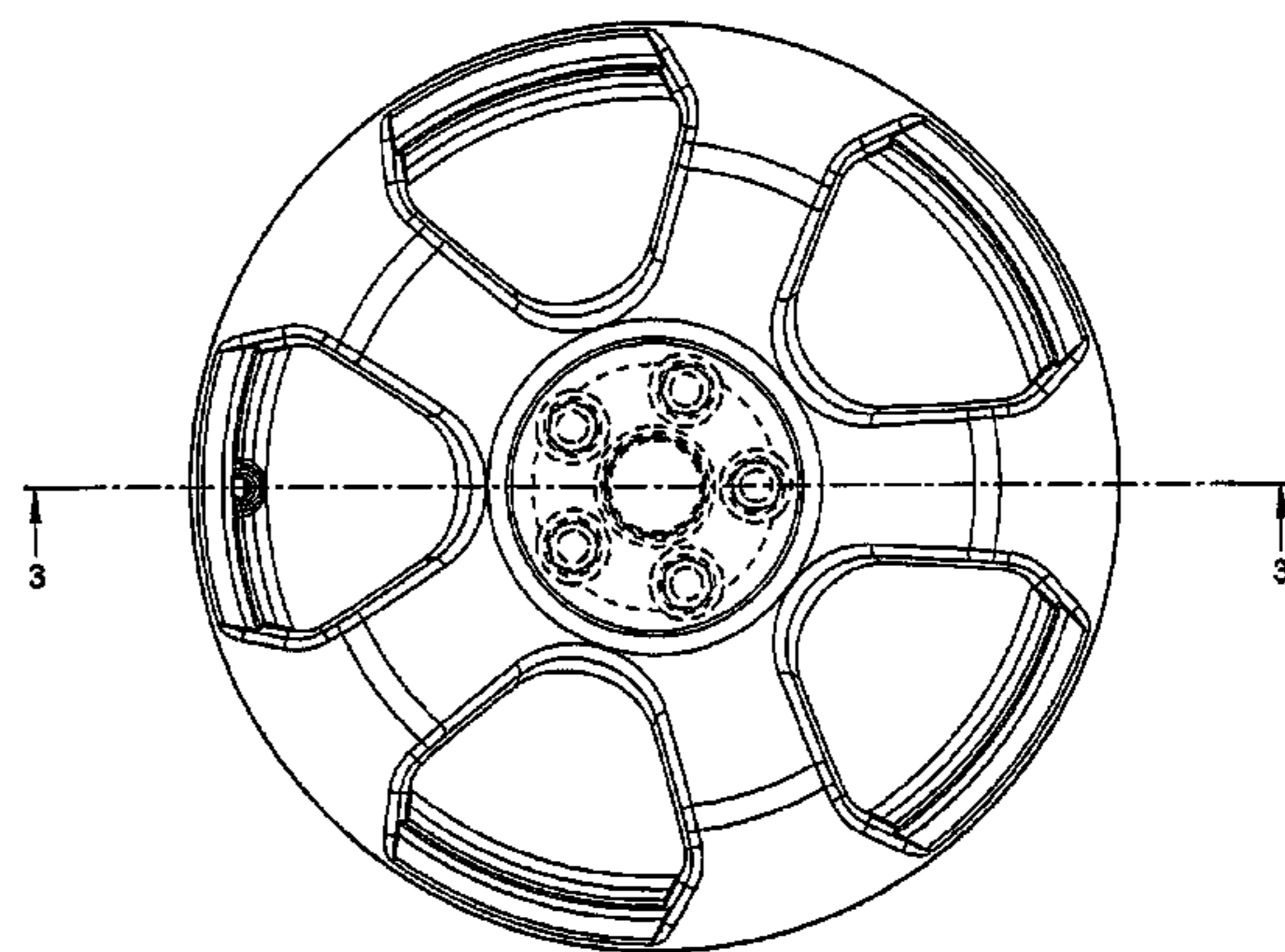
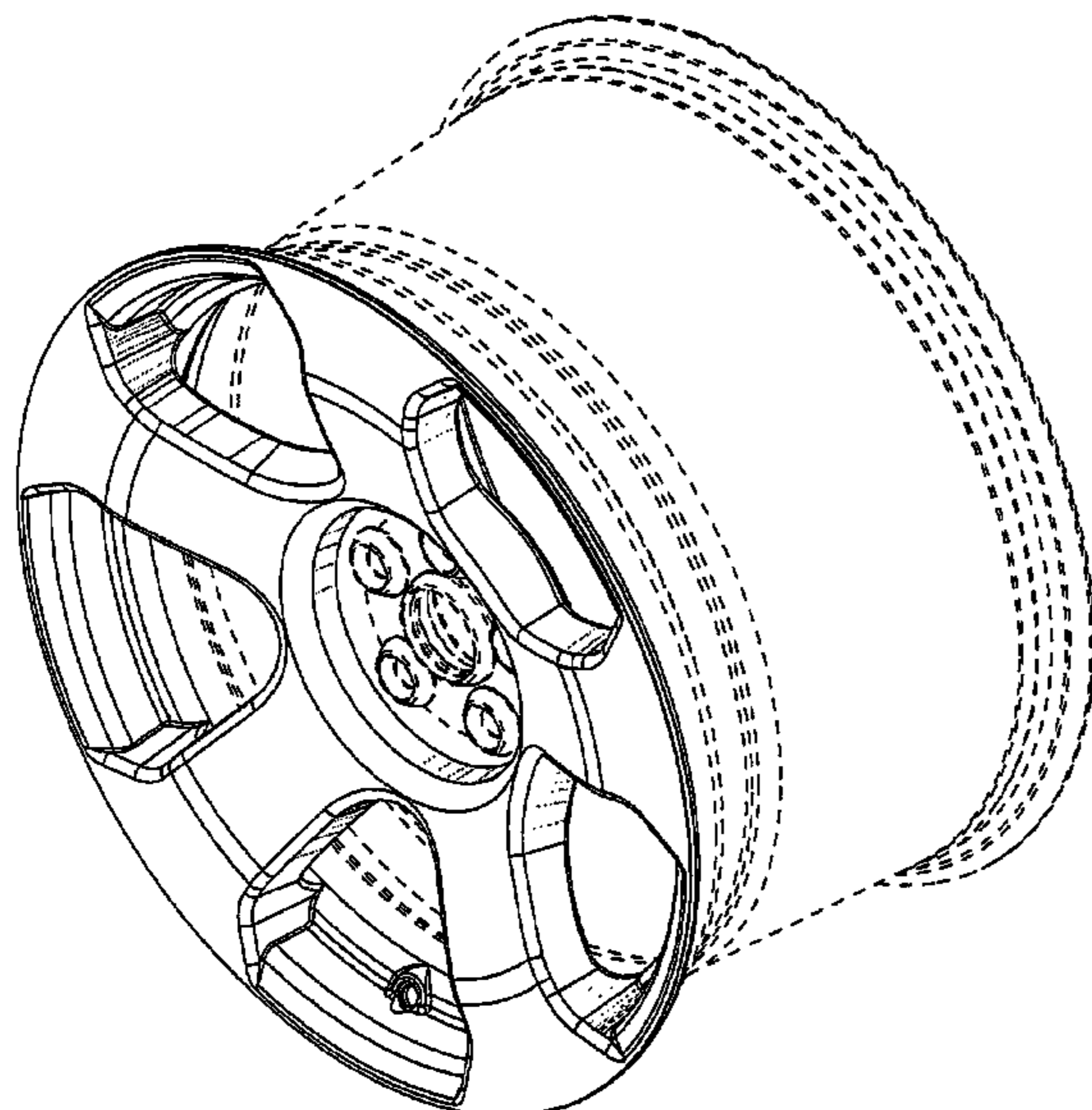
The ornamental design for a vehicle wheel, as shown and described.

DESCRIPTION

FIG. 1 is a perspective view of a vehicle wheel showing our new design;
FIG. 2 is a front view of the vehicle wheel of FIG. 1; and,
FIG. 3 is a cross-section view taken along the plane 3-3 of FIG. 2.

The broken lines shown in the drawings are for illustrative purposes only and form no part of the claimed design.

1 Claim, 2 Drawing Sheets



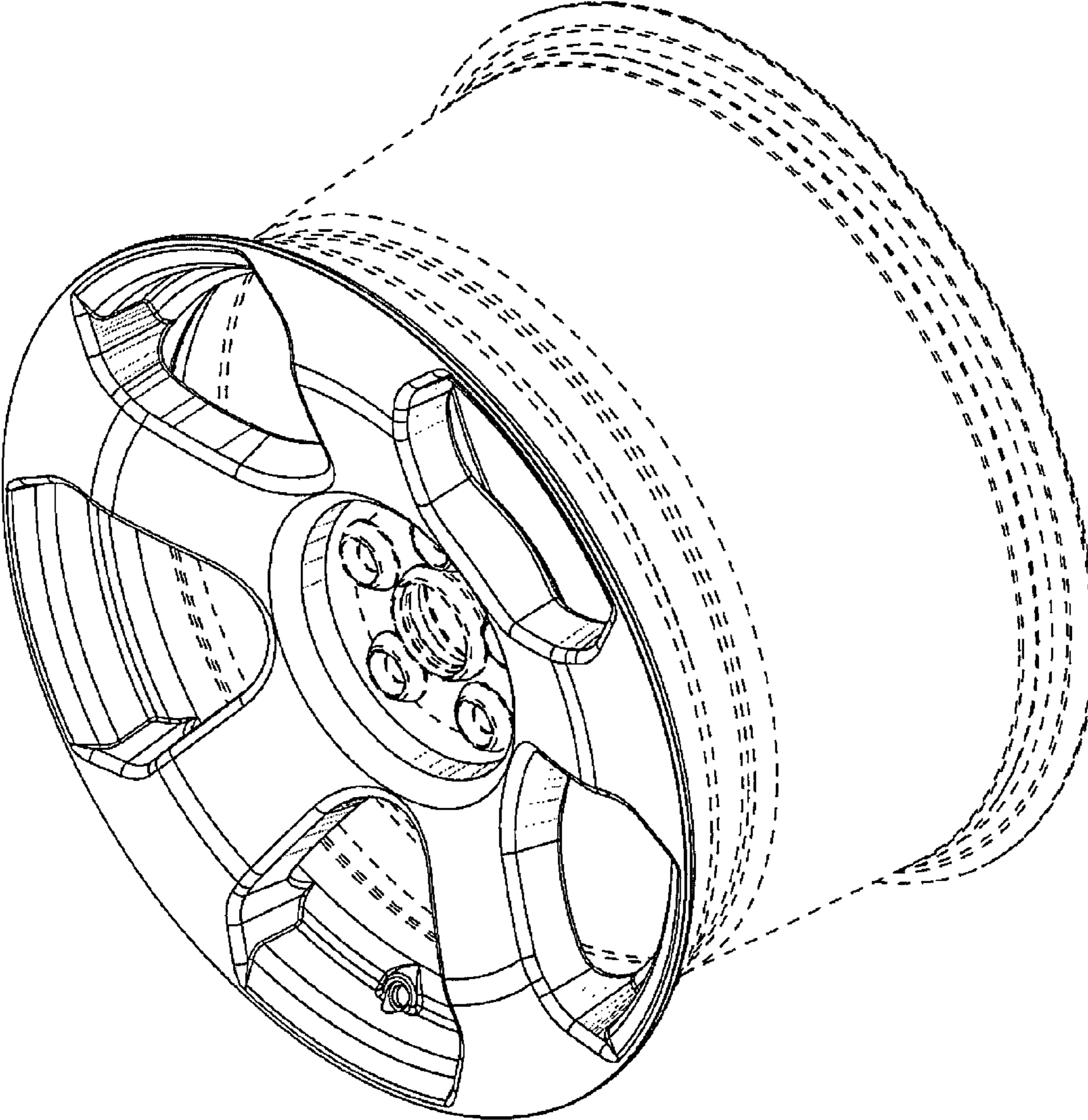


FIG 1

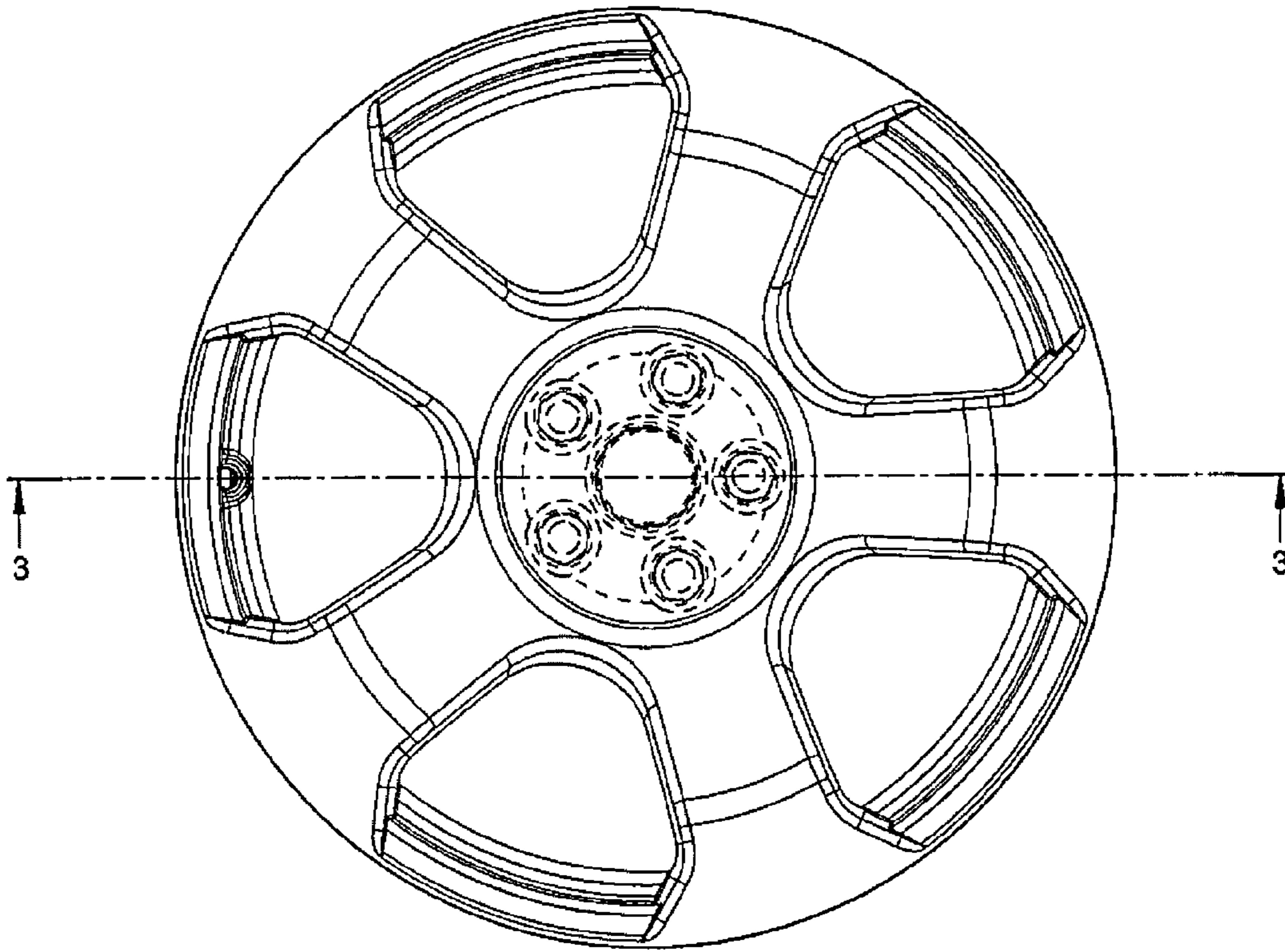


FIG 2

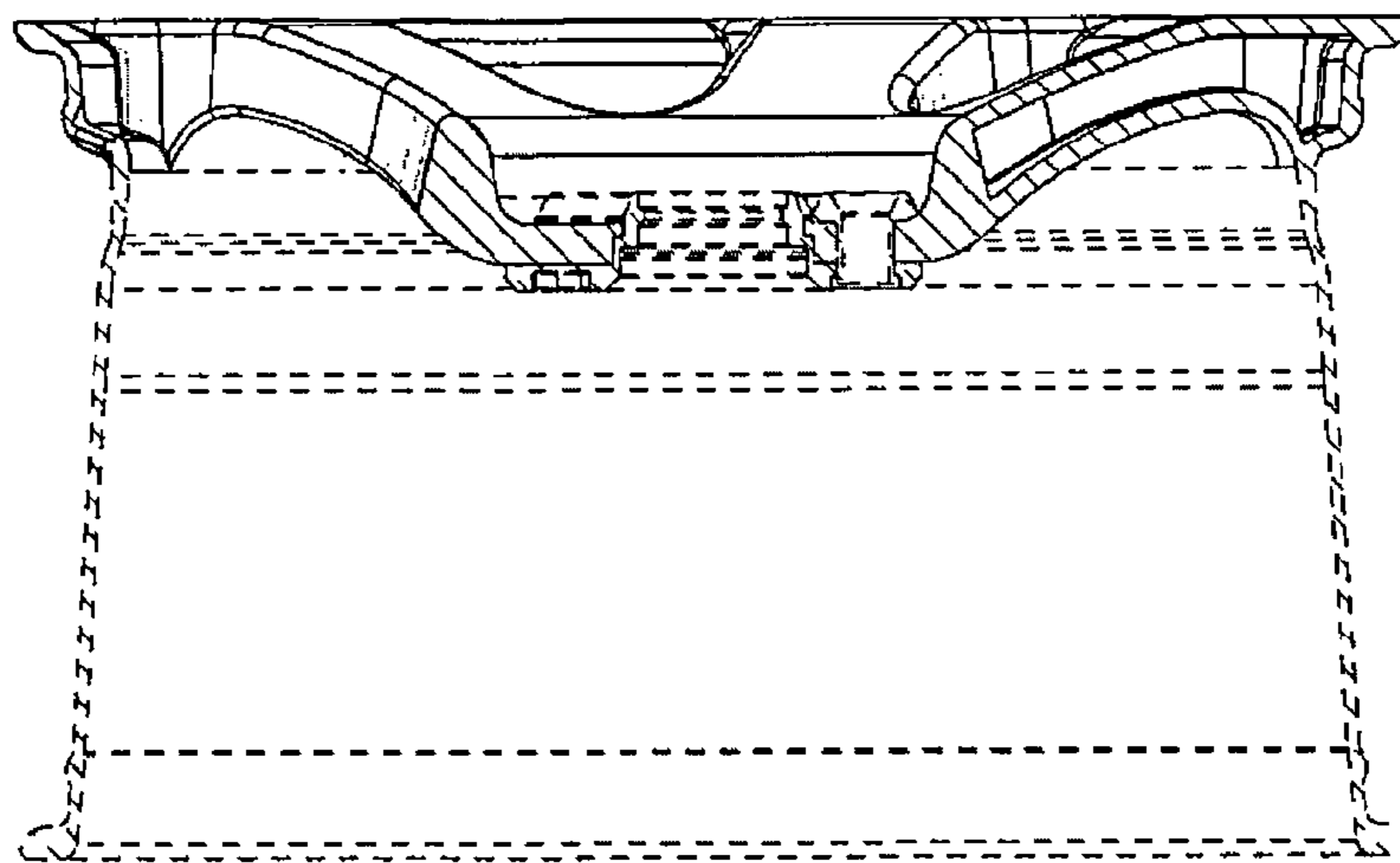


FIG 3