



US00D730794S

(12) **United States Design Patent**
Ridges

(10) **Patent No.:** **US D730,794 S**

(45) **Date of Patent:** **** Jun. 2, 2015**

(54) **SPARE TIRE MOUNT**

(71) Applicant: **TeraFlex, Inc.**, West Jordan, UT (US)

(72) Inventor: **Christopher S. Ridges**, Springville, UT (US)

(73) Assignee: **TeraFlex, Inc.**, West Jordan, UT (US)

(**) Term: **14 Years**

(21) Appl. No.: **29/435,396**

(22) Filed: **Oct. 23, 2012**

(51) **LOC (10) Cl.** **12-16**

(52) **U.S. Cl.**
USPC **D12/202**

(58) **Field of Classification Search**
USPC D12/202; 224/42.24, 521, 532, 519,
224/42.21; 362/500, 496, 540-541, 505
CPC B62D 43/02; B62D 43/06; B62D 43/00;
B60R 9/06; B60D 1/58; B60D 1/075
See application file for complete search history.

(56) **References Cited**

U.S. PATENT DOCUMENTS

D355,632 S * 2/1995 Padgett D12/202
D424,005 S * 5/2000 Henry D12/202
D473,835 S * 4/2003 Roehmer et al. D12/202
D505,649 S * 5/2005 Kenney D12/202

D562,206 S * 2/2008 Newbill D12/202
D609,619 S * 2/2010 Newbill D12/202
D633,024 S * 2/2011 Harriton D12/202

* cited by examiner

Primary Examiner — Stacia Cadmus

(74) *Attorney, Agent, or Firm* — Christensen O'Connor Johnson Kindness PLLC

(57) **CLAIM**

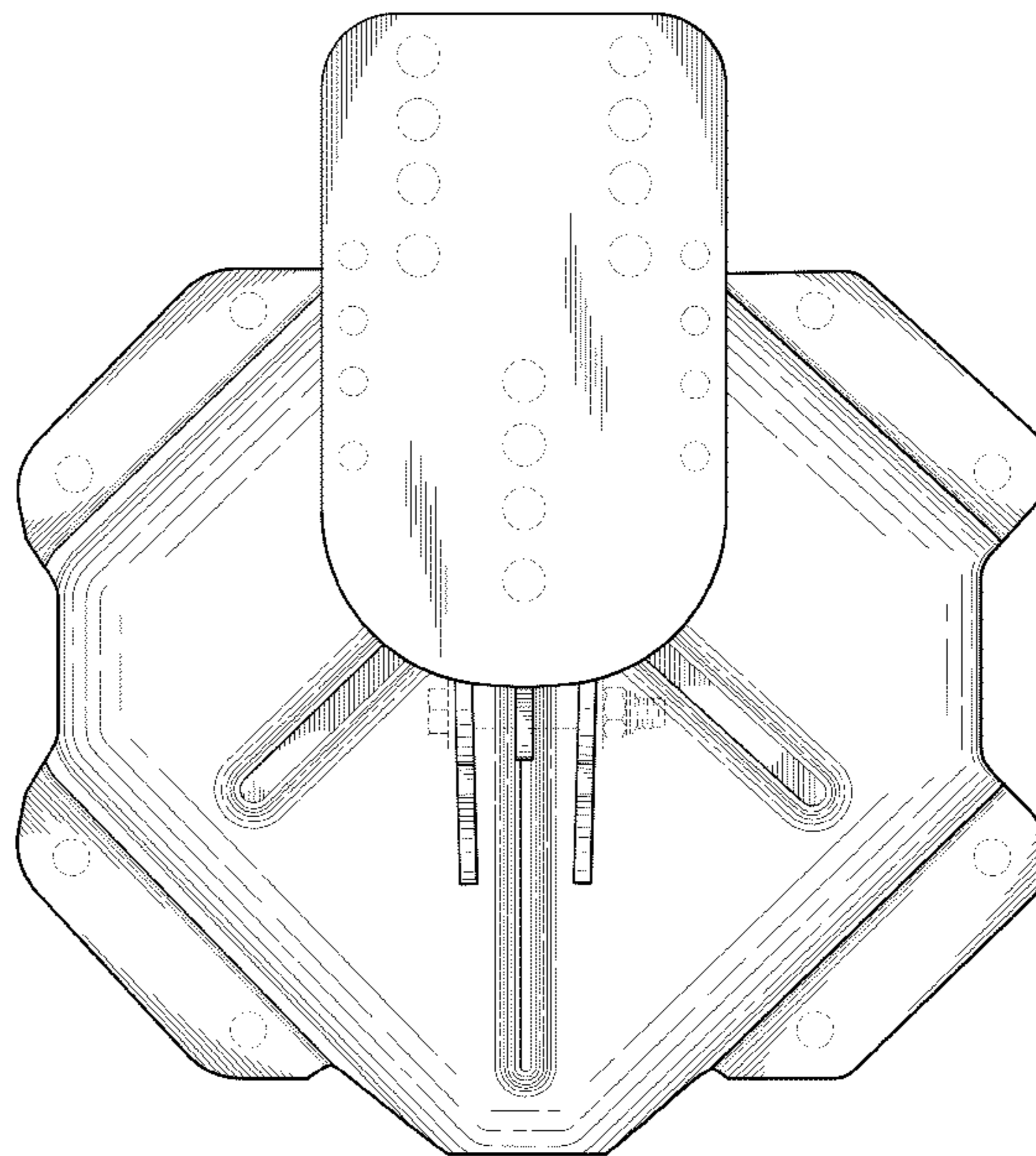
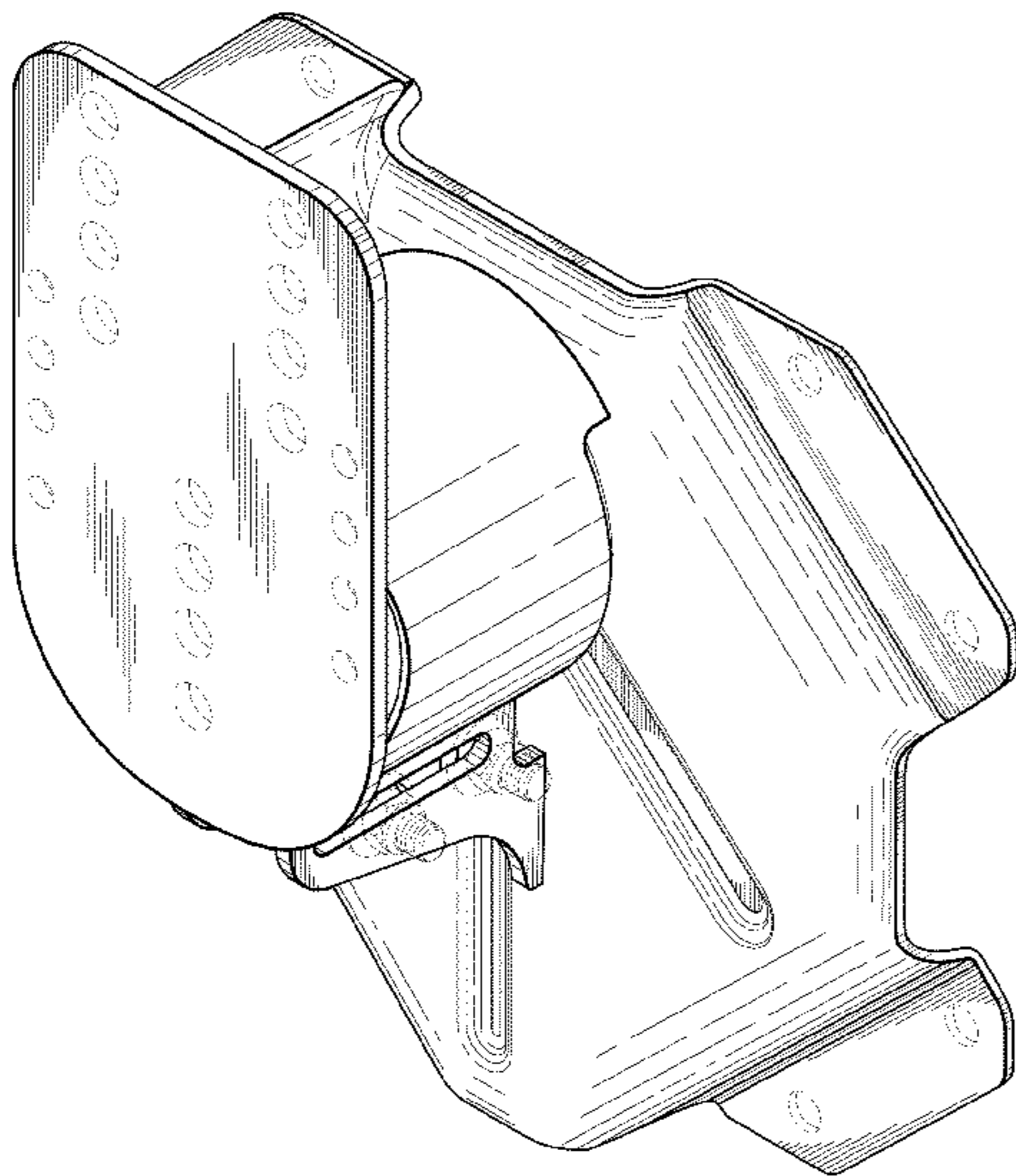
The ornamental design for a spare tire mount, as shown and described.

DESCRIPTION

FIG. 1 is a front perspective view of a spare tire mount according to my new design;
FIG. 2 is a front elevation view of the spare tire mount of FIG. 1;
FIG. 3 is a top elevation view of the spare tire mount of FIG. 1;
FIG. 4 is a bottom elevation view of the spare tire mount of FIG. 1;
FIG. 5 is a left elevation view of the spare tire mount of FIG. 1; and,
FIG. 6 is a right elevation view of the spare tire mount of FIG. 1.

The broken line showing of the holes and the nuts and bolts is included for the purpose of illustrating environment and forms no part of the claimed design.

1 Claim, 4 Drawing Sheets



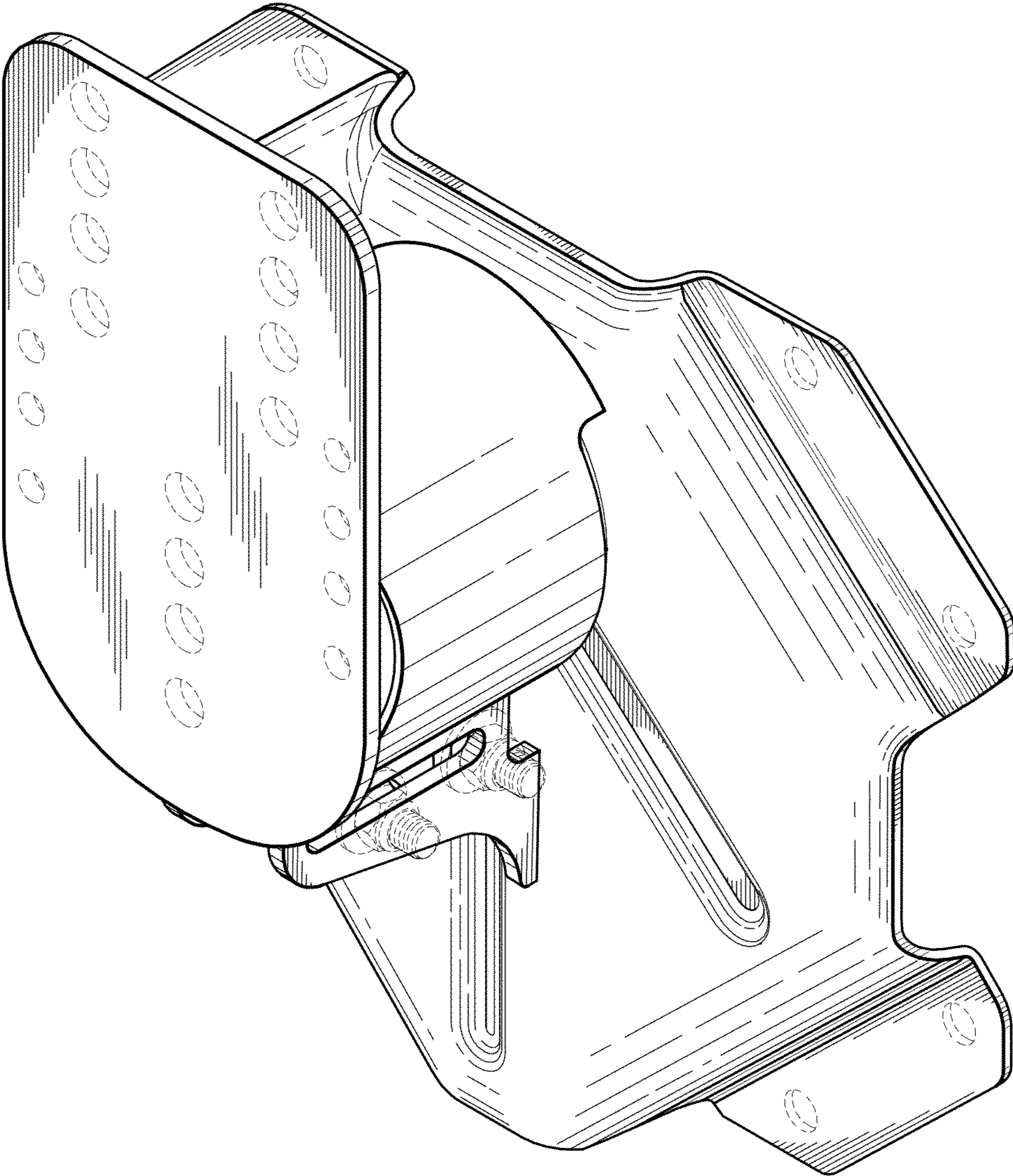


Fig. 1.

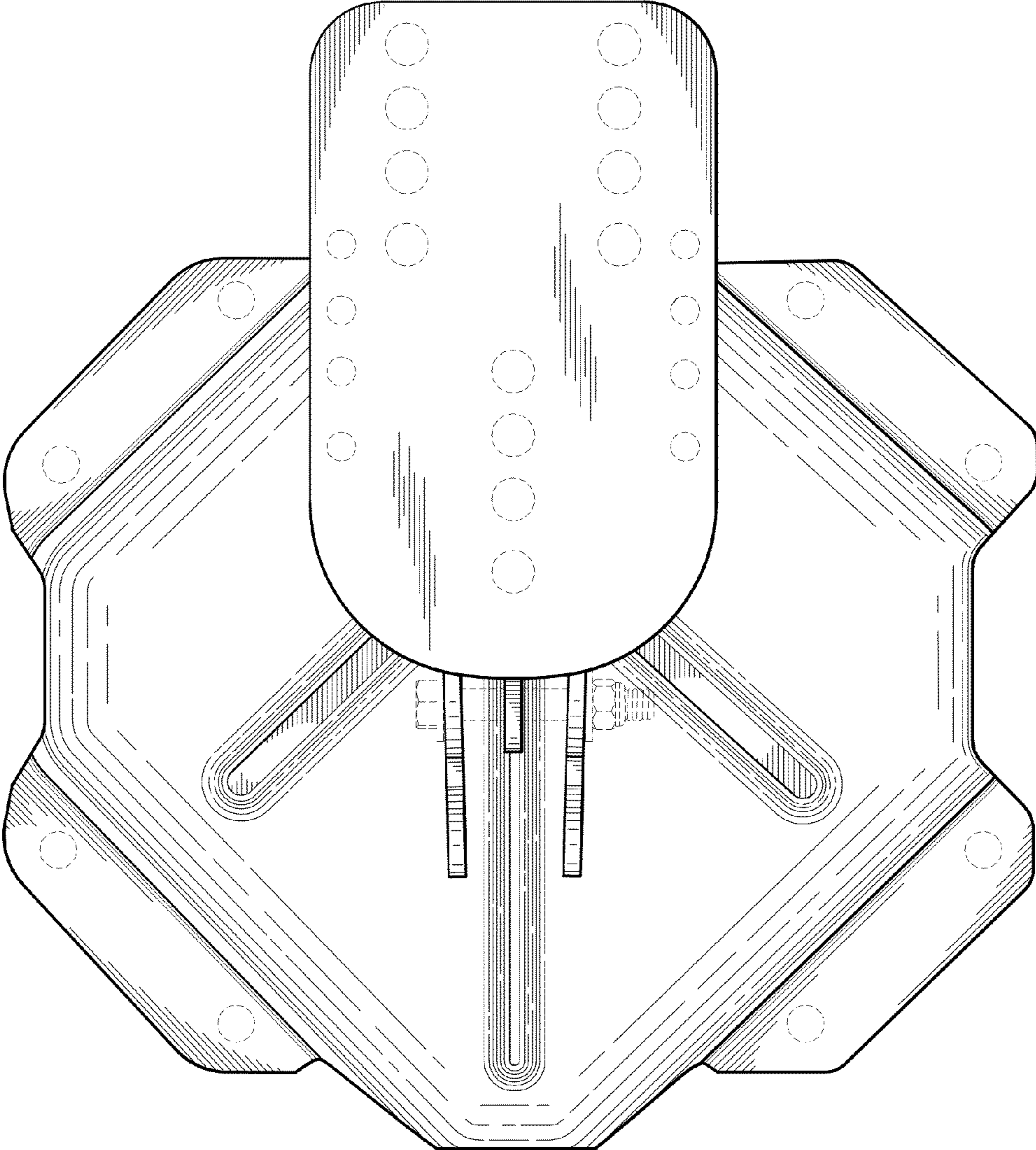


Fig. 2.

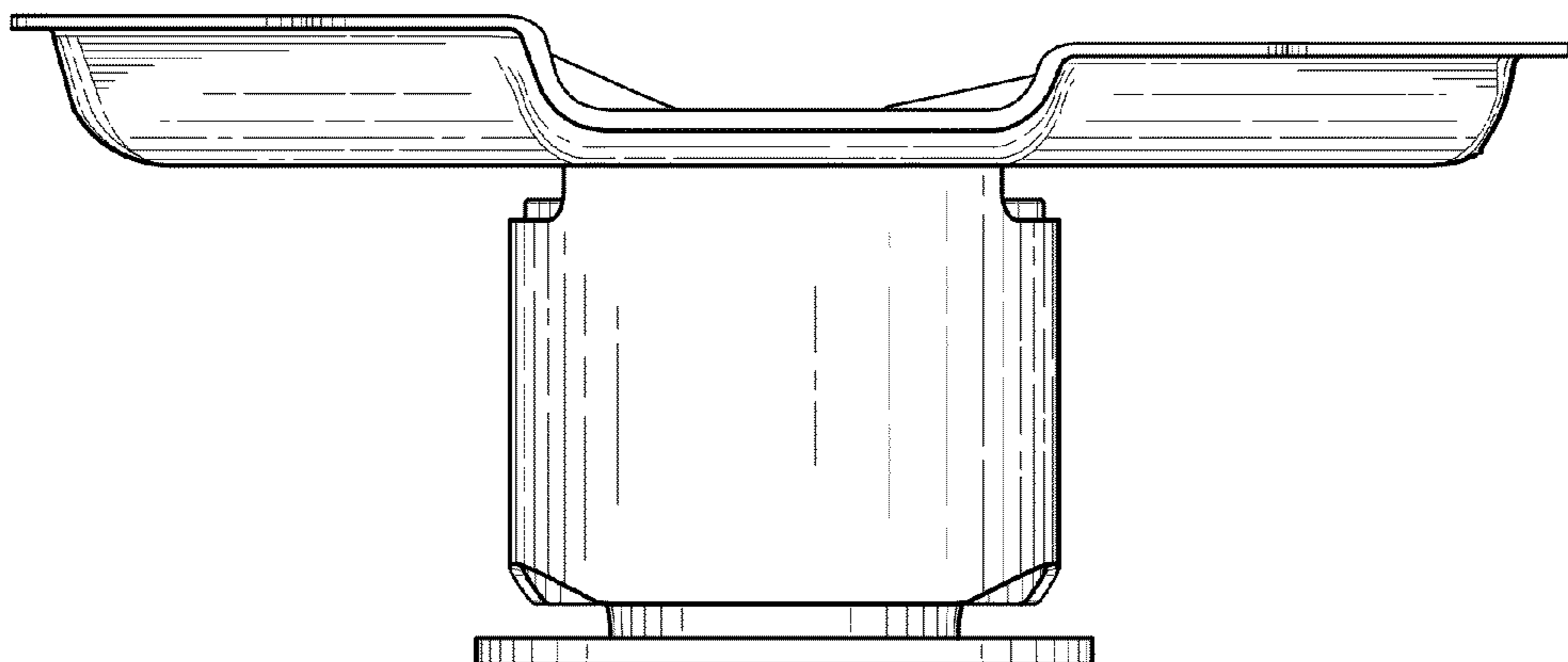


Fig. 3.

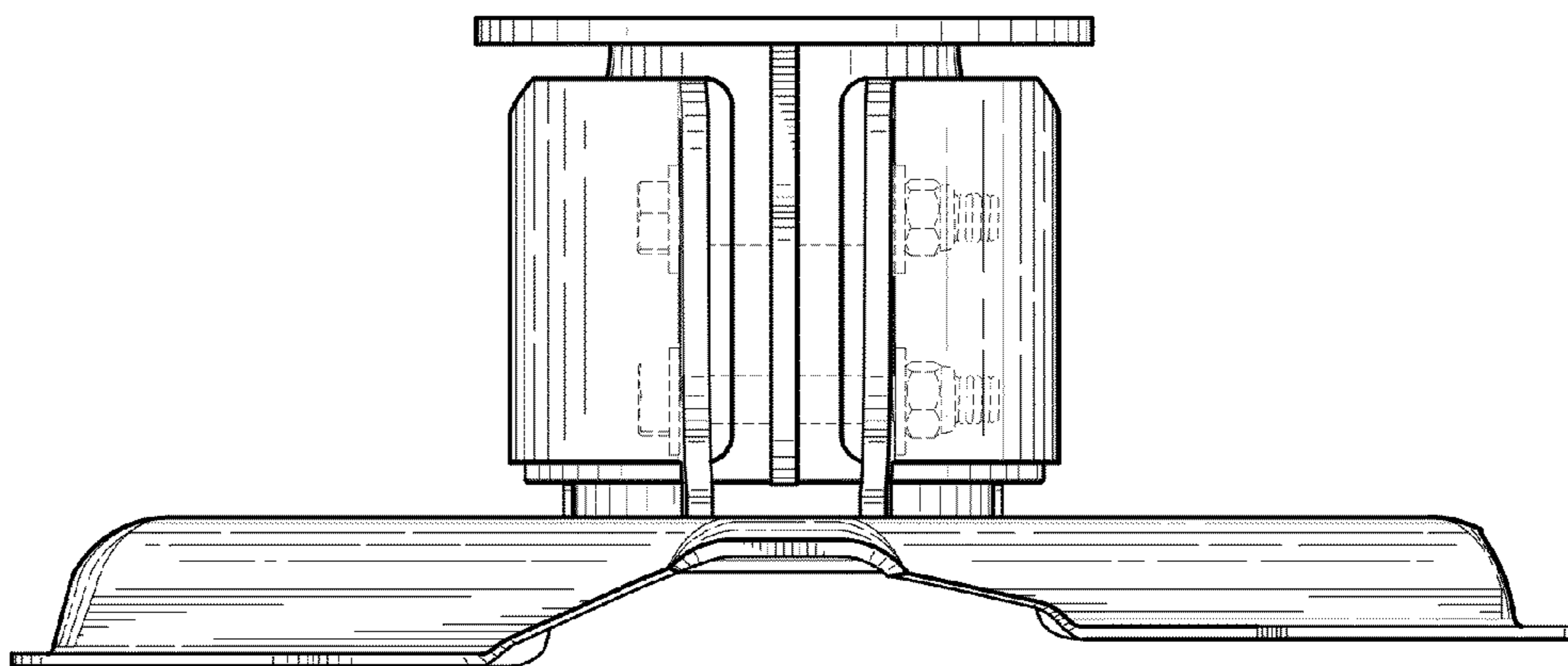


Fig. 4.

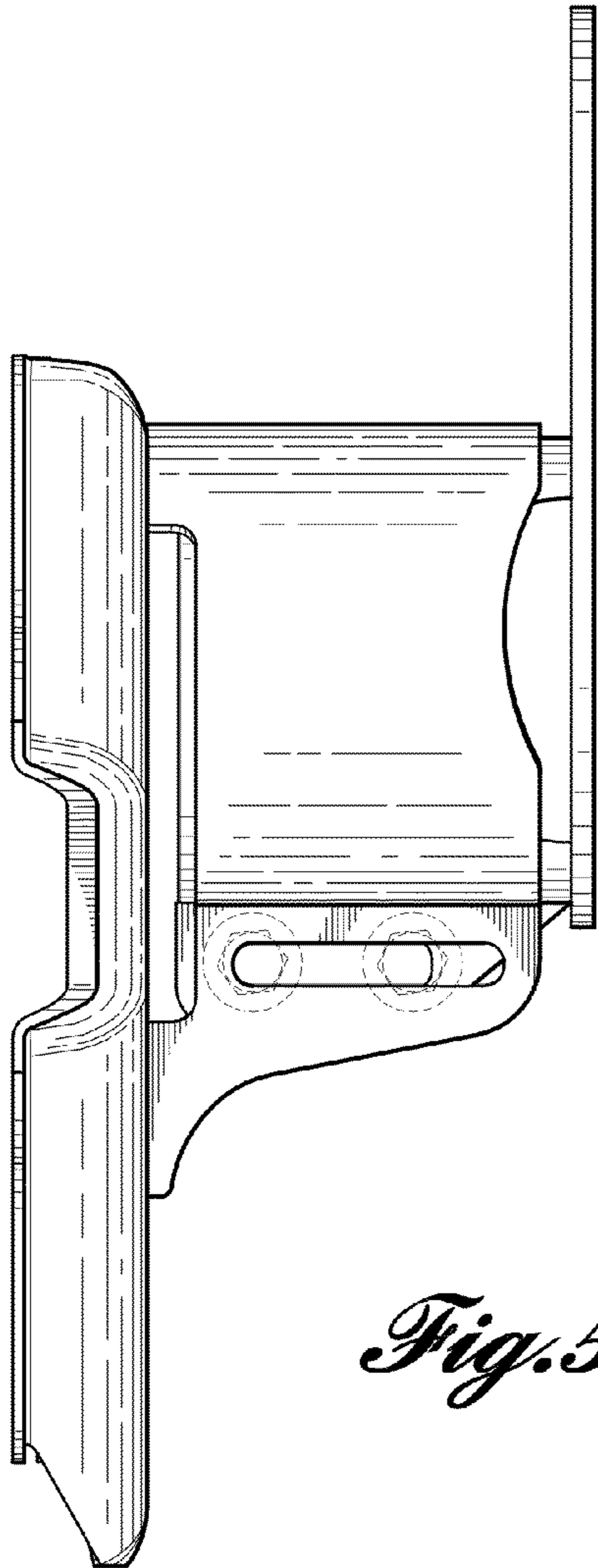


Fig. 5.

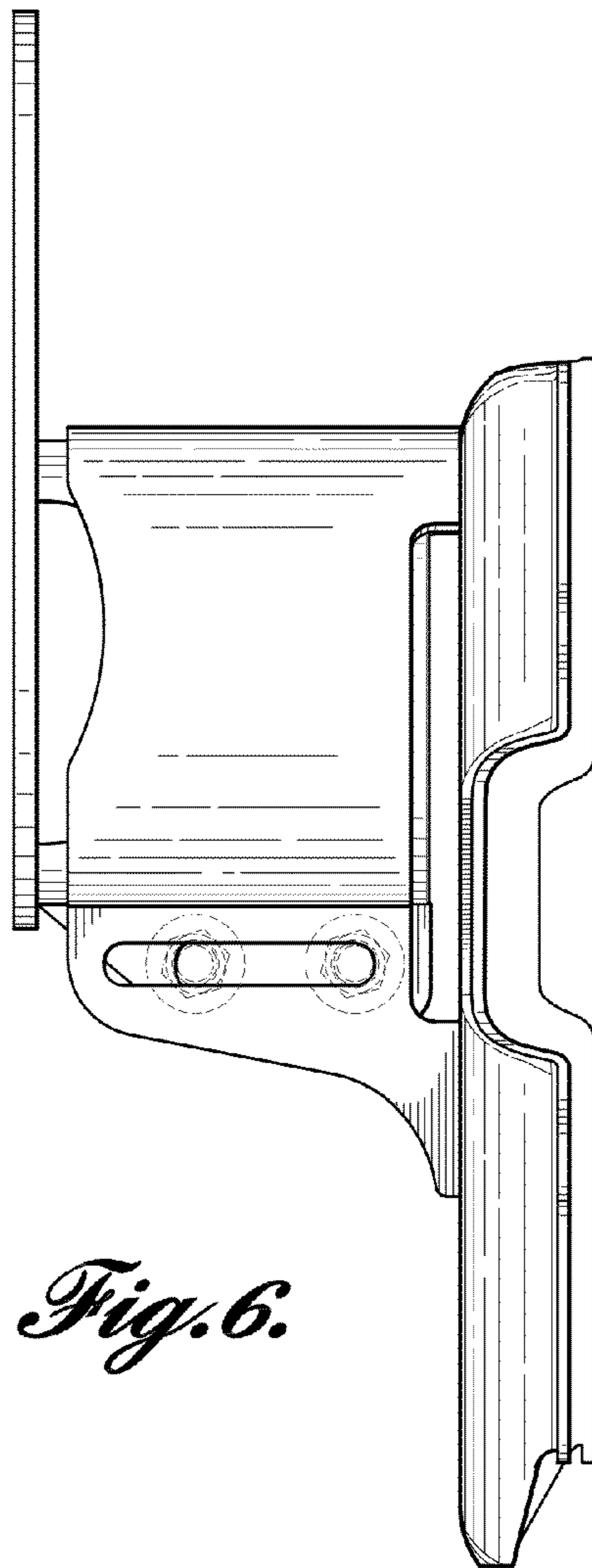


Fig. 6.