

US00D730793S

(12) **United States Design Patent**  
**Ishikawa**

(10) **Patent No.:** **US D730,793 S**  
(45) **Date of Patent:** **\*\* Jun. 2, 2015**

(54) **INSTRUMENT PANEL FOR AN  
AUTOMOBILE**

FOREIGN PATENT DOCUMENTS

(71) Applicant: **Nissan Motor Co., Ltd.**, Yokohama,  
Kanagawa (JP)

EM 001199426-0006 3/2010  
JP D1393120 S 7/2011

(72) Inventor: **Masato Ishikawa**, Tokyo (JP)

\* cited by examiner

(73) Assignee: **Nissan Motor Co., Ltd.**, Yokohama (JP)

*Primary Examiner* — Katrina A Betton

(\*\*) Term: **14 Years**

(74) *Attorney, Agent, or Firm* — Global IP Counselors, LLP

(21) Appl. No.: **29/476,506**

(22) Filed: **Dec. 13, 2013**

(51) **LOC (10) Cl.** ..... **12-16**

(52) **U.S. Cl.**  
USPC ..... **D12/192**

(58) **Field of Classification Search**  
USPC ..... D12/192, 415, 110, 114; D10/46, 98,  
D10/102–103, 122–127; D15/17, 28;  
296/190.01–190.09, 191, 70;  
280/750–752; 180/90

See application file for complete search history.

(56) **References Cited**

U.S. PATENT DOCUMENTS

D405,408 S *	2/1999	Yoshida et al.	.....	D12/192
D419,936 S *	2/2000	Sacco et al.	.....	D12/192
D577,640 S *	9/2008	Wyszogrod et al.	.....	D12/192
D637,539 S *	5/2011	Welch et al.	.....	D12/192
D641,672 S *	7/2011	Willoughby et al.	.....	D12/192
D641,674 S *	7/2011	Kim et al.	.....	D12/192
D693,753 S *	11/2013	Cheung et al.	.....	D12/192
D695,658 S	12/2013	Igarashi et al.		
D697,460 S	1/2014	Matsuda et al.		
D697,848 S	1/2014	Maruyama et al.		
D697,849 S	1/2014	Tanaka et al.		
D699,171 S	2/2014	Matsuo		
D704,610 S *	5/2014	Mizuhata et al.	.....	D12/192

(57) **CLAIM**

The ornamental design for an instrument panel for an automobile, as shown and described.

**DESCRIPTION**

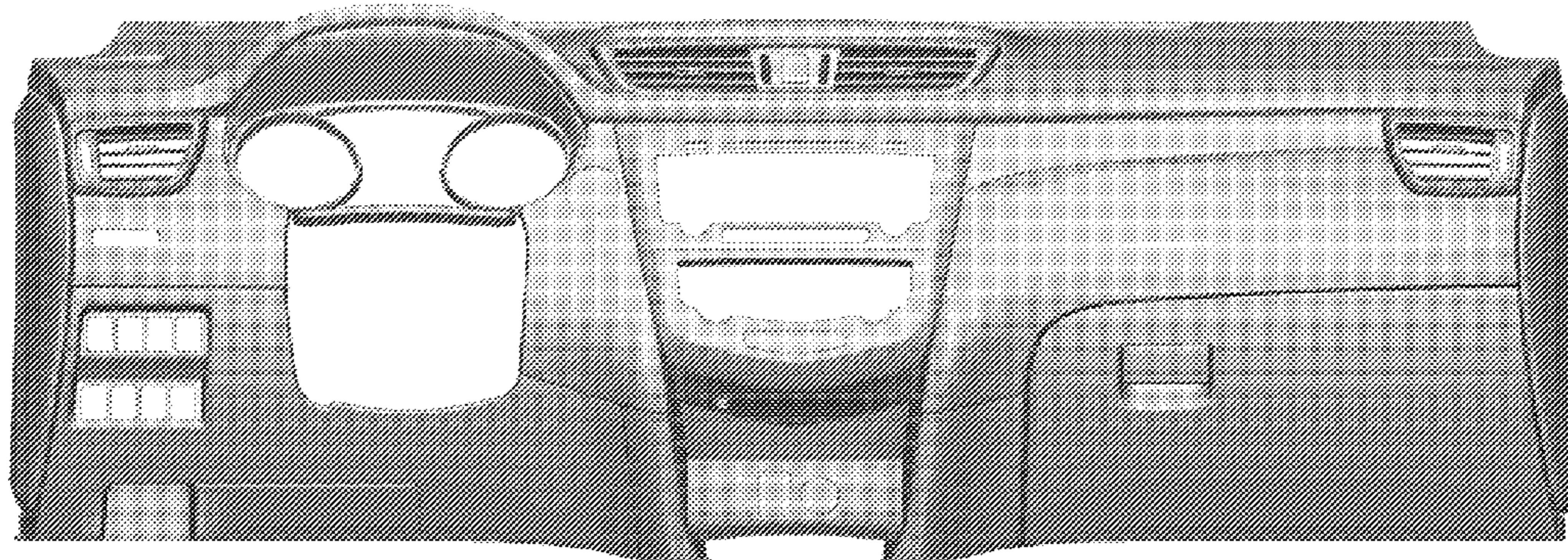
FIG. 1 is a front elevational view of an instrument panel for an automobile in accordance with my new design;  
 FIG. 2 is a top plan view of the instrument panel in accordance with my new design of FIG. 1;  
 FIG. 3 is a bottom plan view of the instrument panel in accordance with my new design of FIGS. 1 and 2;  
 FIG. 4 is a left side elevational view of the instrument panel in accordance with my new design of FIGS. 1 to 3;  
 FIG. 5 is a right side elevational view of the instrument panel in accordance with my new design of FIGS. 1 to 4;  
 FIG. 6 is a front, left and top side perspective view of the instrument panel in accordance with my new design of FIGS. 1 to 5; and,  
 FIG. 7 is a front, right and bottom side perspective view of the instrument panel in accordance with my new design of FIGS. 1 to 6.

The rear view of the instrument panel forms no part of the claimed design.

My new design includes the mirror image of the instrument panel shown in FIGS. 1 to 7.

The shading of gray in the drawings is provided for purpose of depicting the shape of the three-dimensional article.

**1 Claim, 7 Drawing Sheets**



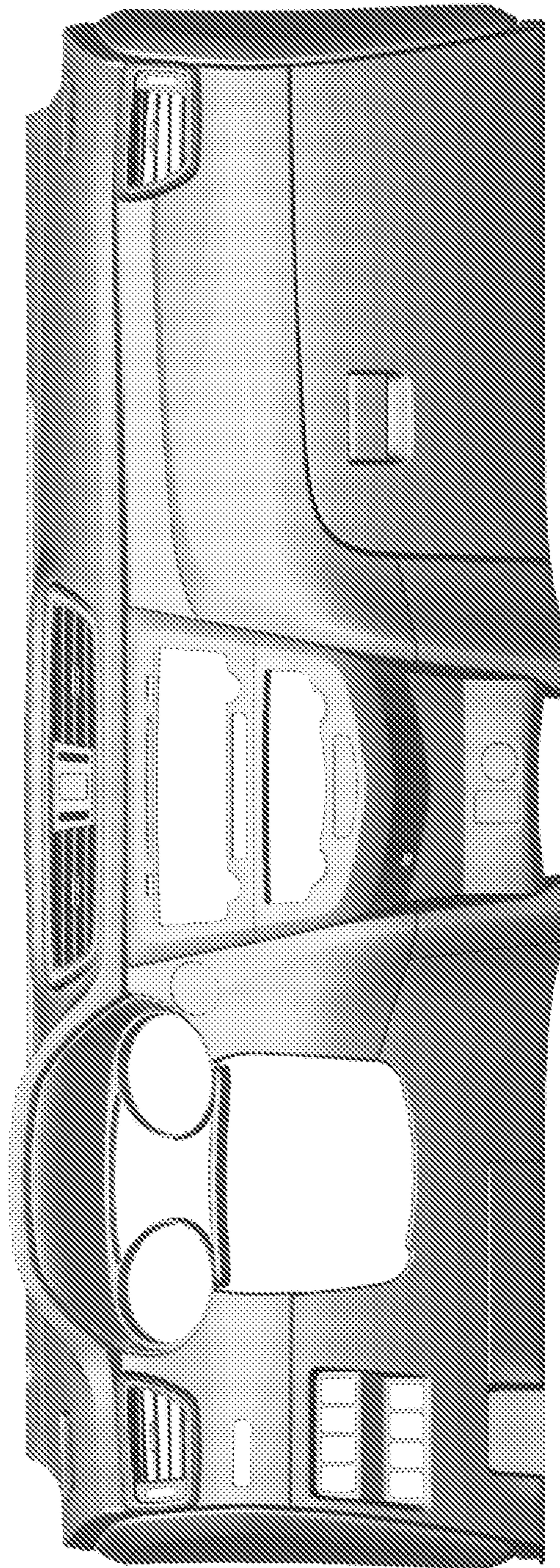


FIG. 1

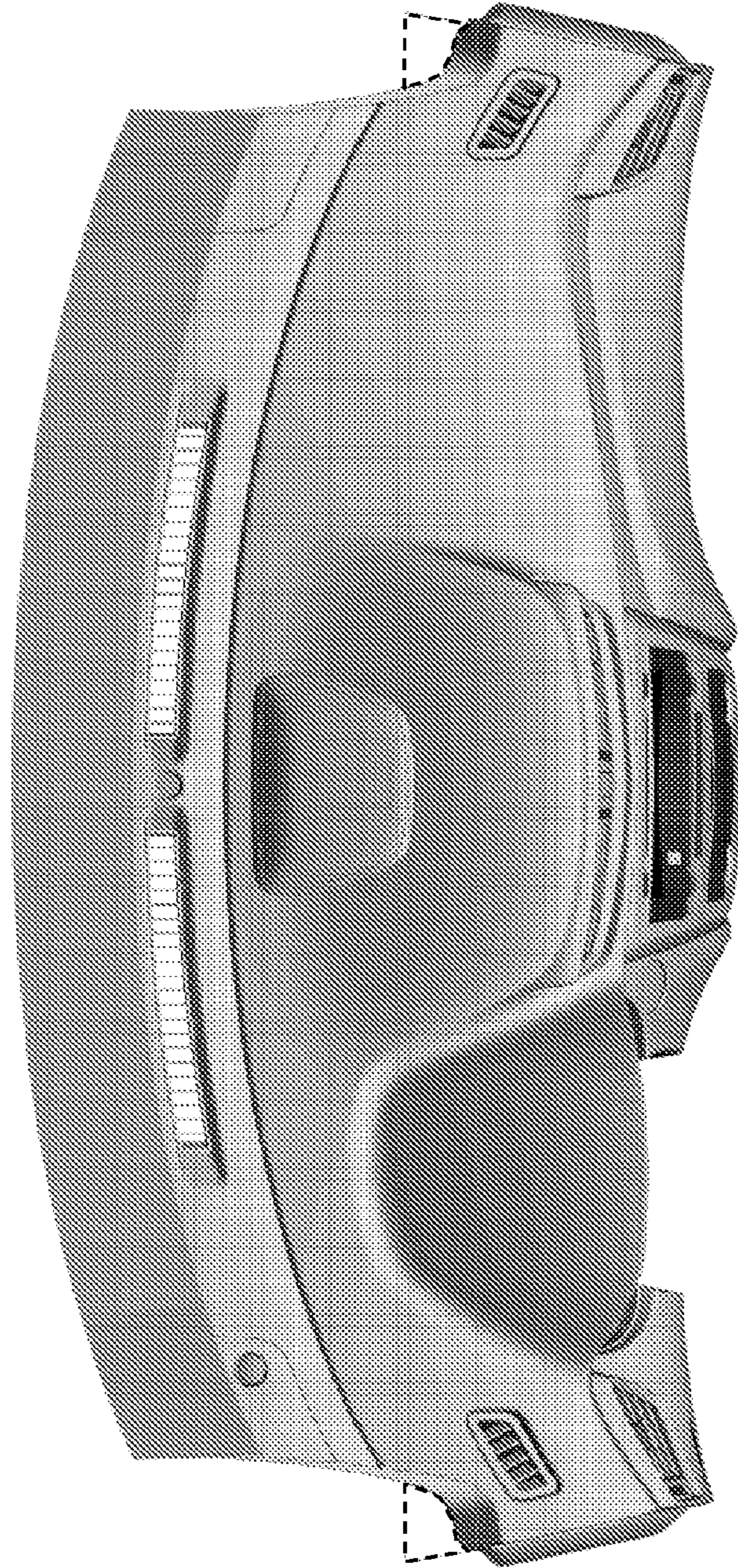


FIG. 2

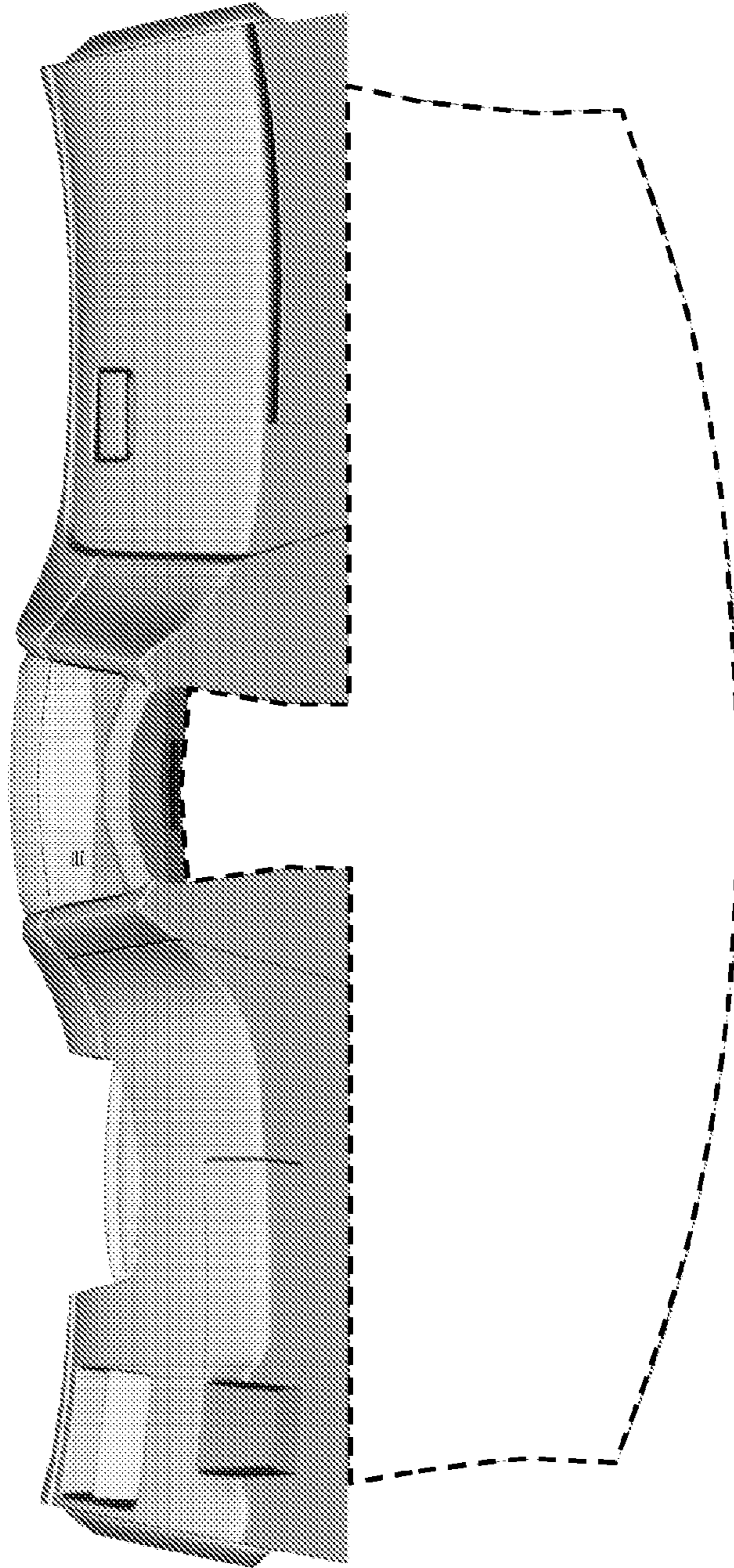


FIG. 3

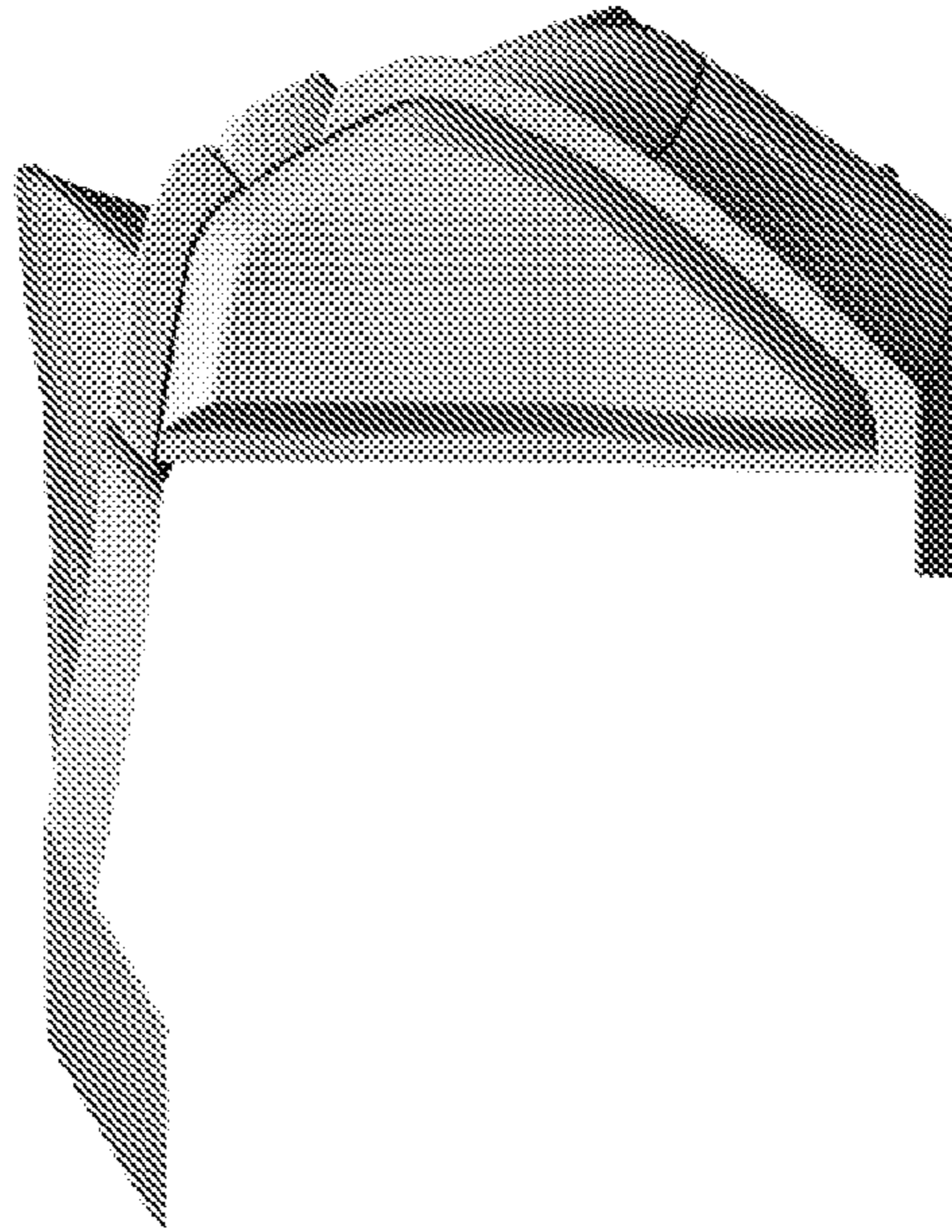


FIG. 4

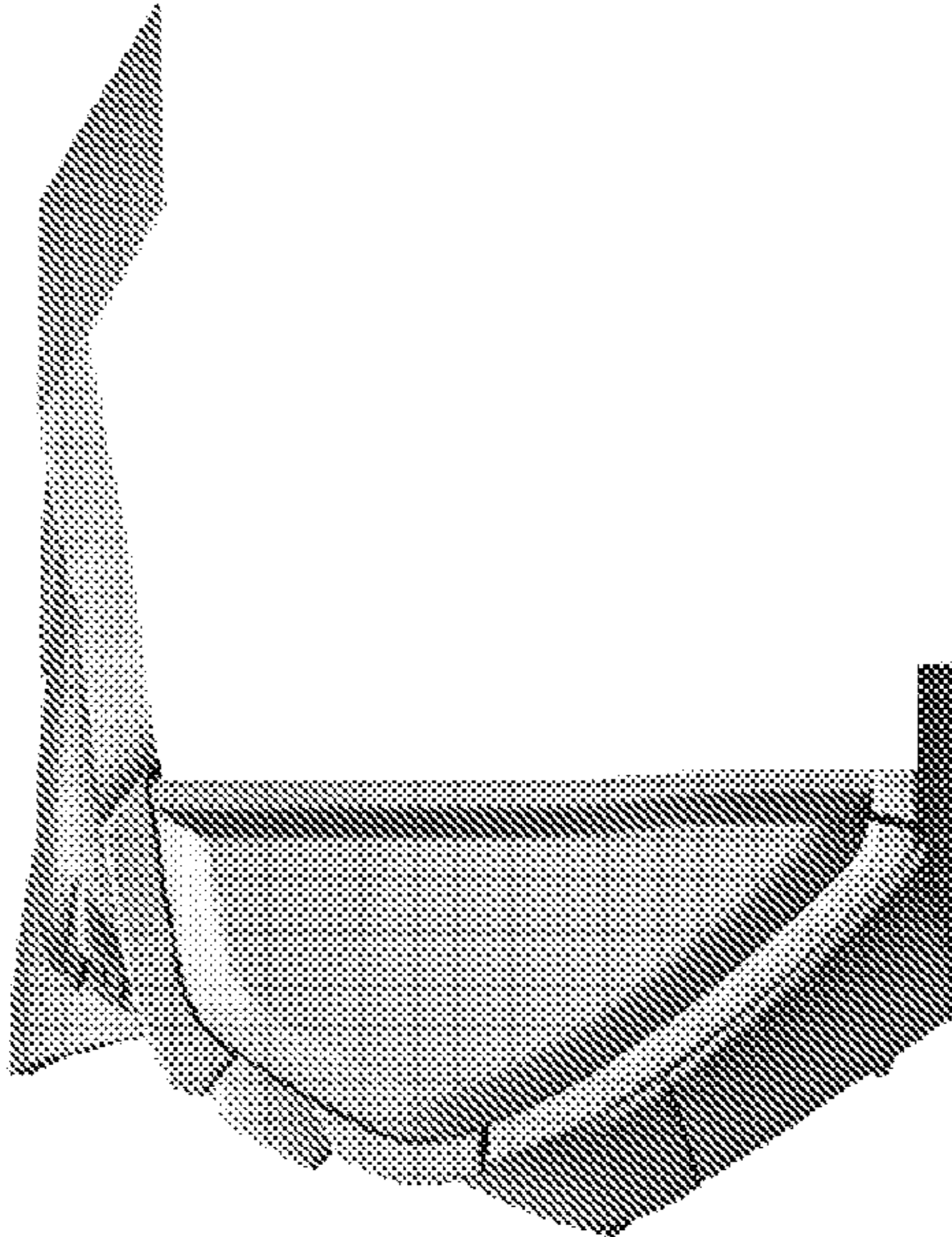


FIG. 5

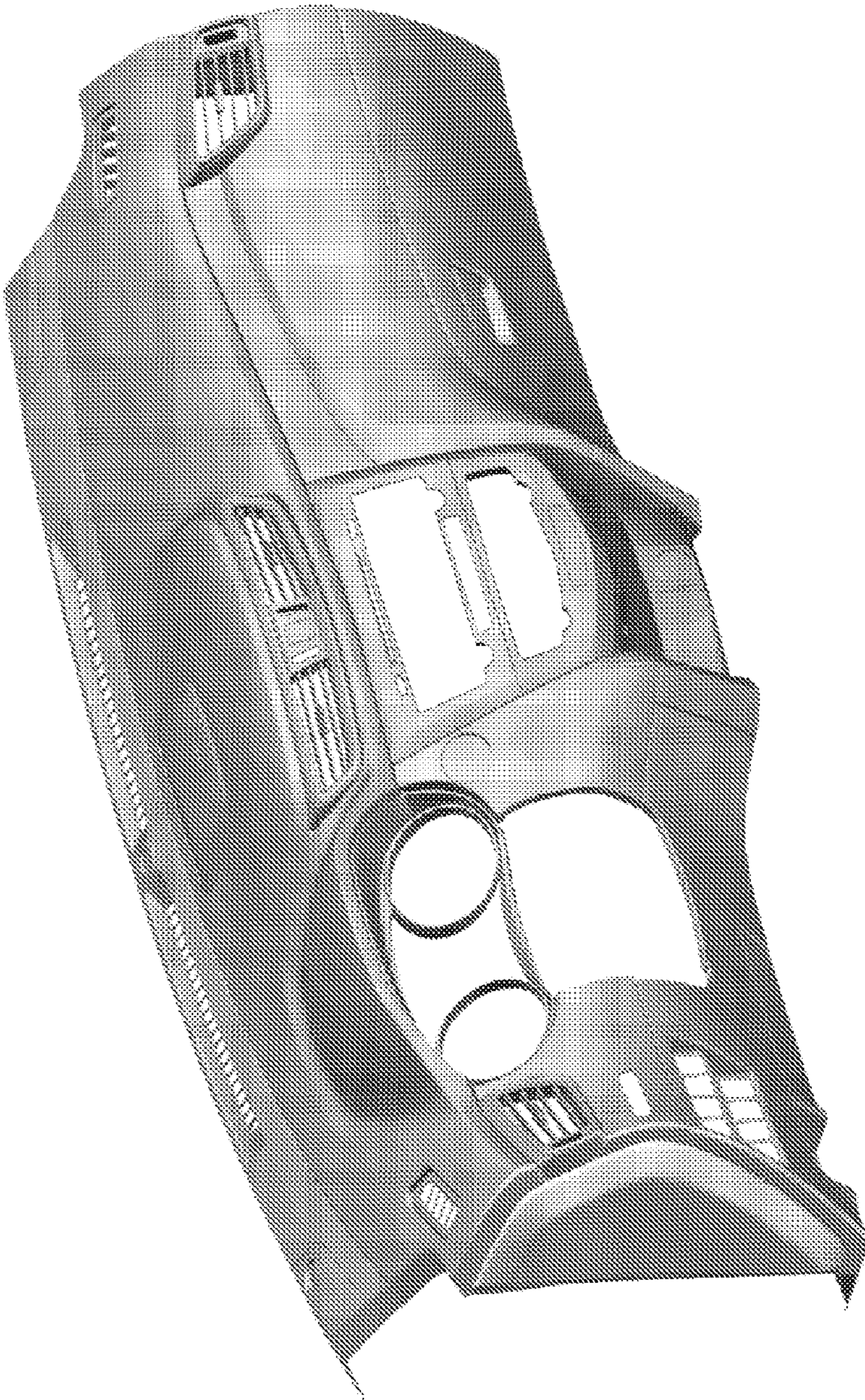


FIG. 6

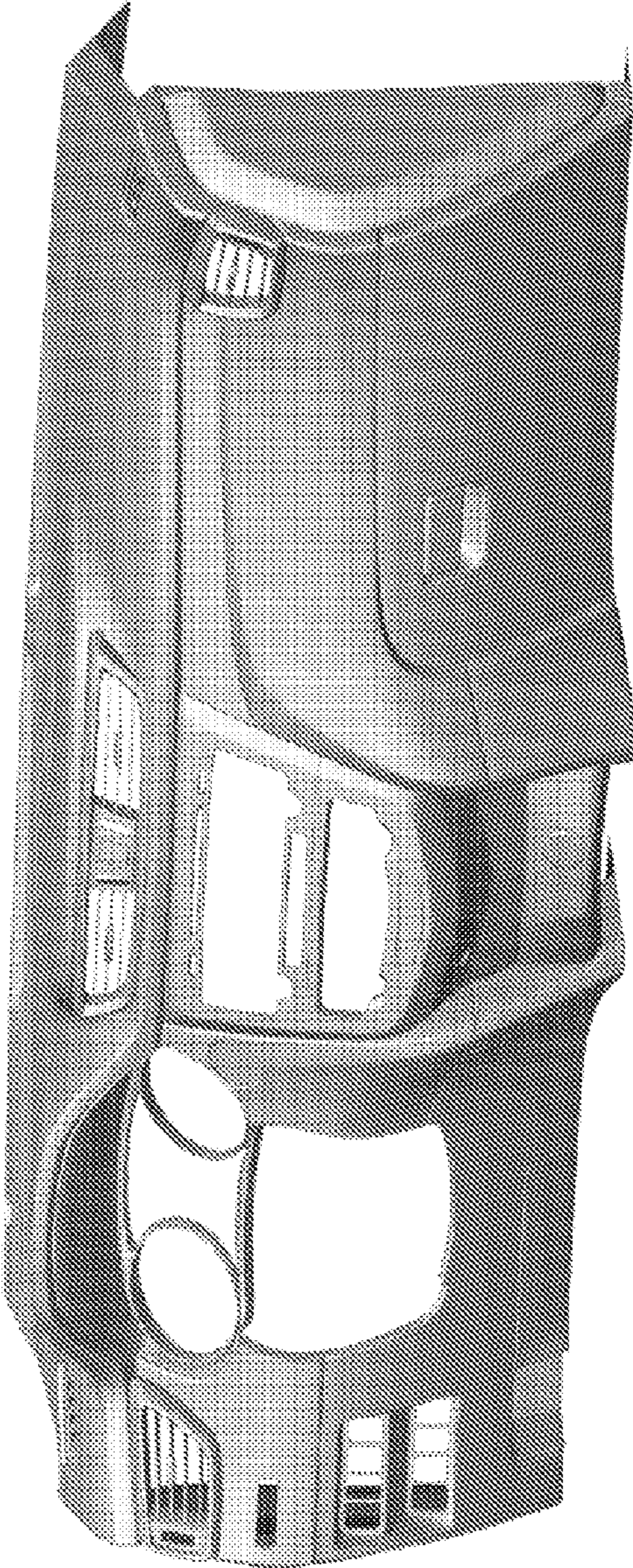


FIG. 7