



US00D730787S

(12) **United States Design Patent**  
**Kwon**

(10) **Patent No.:** **US D730,787 S**  
(45) **Date of Patent:** **\*\* Jun. 2, 2015**

(54) **DOOR PROTECTOR FOR AUTOMOBILES**

(71) Applicant: **SCHAFFENGOTT CO., LTD.**, Busan (KR)

(72) Inventor: **Ik-hwan Kwon**, Busan (KR)

(73) Assignee: **SCHAFFENGOTT CO., LTD.** (KR)

(\*\*) Term: **14 Years**

(21) Appl. No.: **29/475,743**

(22) Filed: **Dec. 5, 2013**

(51) **LOC (10) Cl.** ..... **12-16**

(52) **U.S. Cl.**  
USPC ..... **D12/167**

(58) **Field of Classification Search**  
USPC ..... D12/167, 190; 49/462; 293/1, 102, 126,  
293/128, 770; 428/31  
CPC ..... B60R 13/04; B60R 13/043; B60R 19/18;  
B60R 19/42; B60R 19/285; B60J 11/06  
See application file for complete search history.

(56) **References Cited**

**U.S. PATENT DOCUMENTS**

3,550,951	A *	12/1970	Cobbs	296/152
D220,261	S *	3/1971	Bjorum	D12/167
D238,489	S *	1/1976	Slingerland, Jr.	D12/167
D278,895	S *	5/1985	Tanaka	D12/167
D300,816	S *	4/1989	Charet et al.	D12/167
D301,026	S *	5/1989	Charet et al.	D12/167
D301,861	S *	6/1989	Muschette	D12/167
D302,962	S *	8/1989	Collani	D12/167
D312,439	S *	11/1990	Adell	D12/167
D358,358	S *	5/1995	Burroughs	D12/167
6,971,693	B1 *	12/2005	Richardson	293/128
8,303,005	B1 *	11/2012	Hill	293/126

**OTHER PUBLICATIONS**

Carscoop. "Ford Develops a Nifty Pop-Up Door Edge Protector that will Debut on the Focus", Carscoop., Sep. 22, 2011 [online], [retrieved on Aug. 10, 2014]. Retrieved from the Internet <URL: <http://www.carscoops.com/2011/09/ford-develops-nifty-pop-up-door-edge.html>>.\*

\* cited by examiner

*Primary Examiner* — Philip S Hyder

*Assistant Examiner* — Darlington Ly

(57) **CLAIM**

The ornamental design for a door protector for automobiles, as shown and described.

**DESCRIPTION**

FIG. 1 is a perspective view of the door protector for automobiles;  
FIG. 2 is a front elevation view thereof;  
FIG. 3 is a rear elevation view thereof;  
FIG. 4 is a left side elevation view thereof;  
FIG. 5 is a right side elevation view thereof;  
FIG. 6 is a top plan view thereof;  
FIG. 7 is a cross-sectional view thereof, wherein the section cutting plane is taken along 7-7 in FIG. 2; and,  
FIG. 8 is a cross-sectional view thereof, wherein the section cutting plane is taken along 8-8 in FIG. 2.  
The broken lines shown in the drawings illustrate portions of the door protector for automobiles that forms no part of claimed design.

**1 Claim, 6 Drawing Sheets**

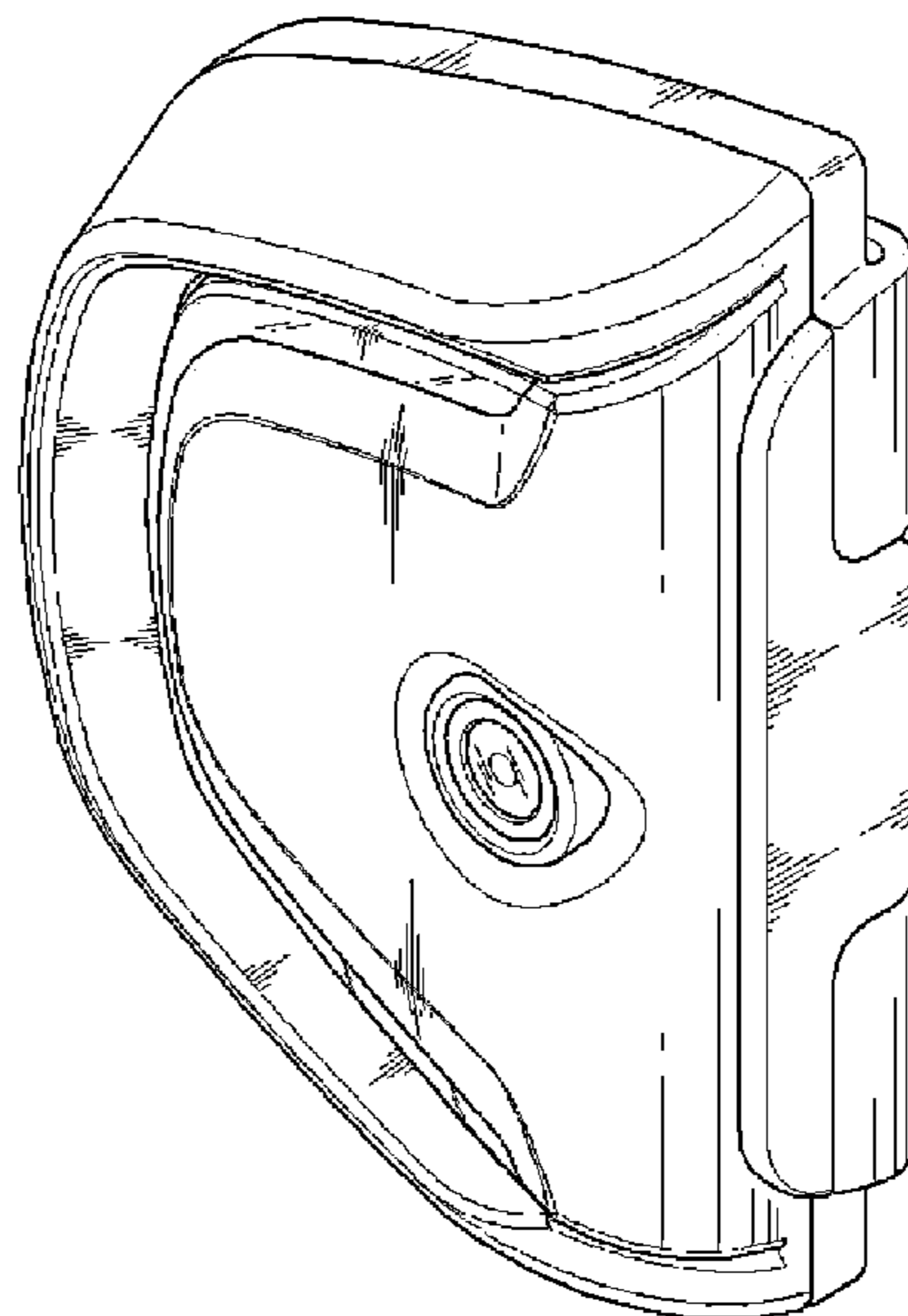


FIG. 1

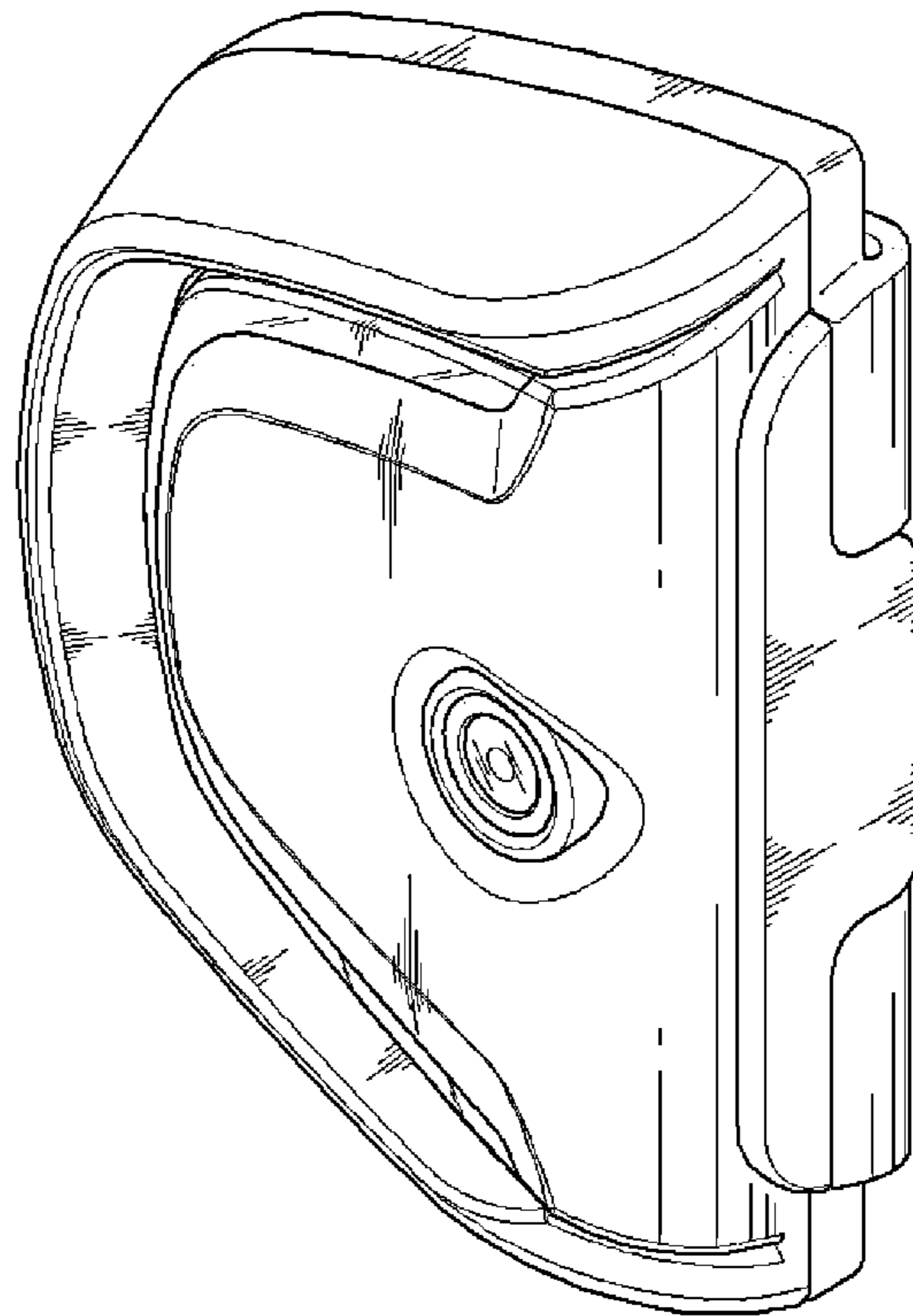


FIG. 2

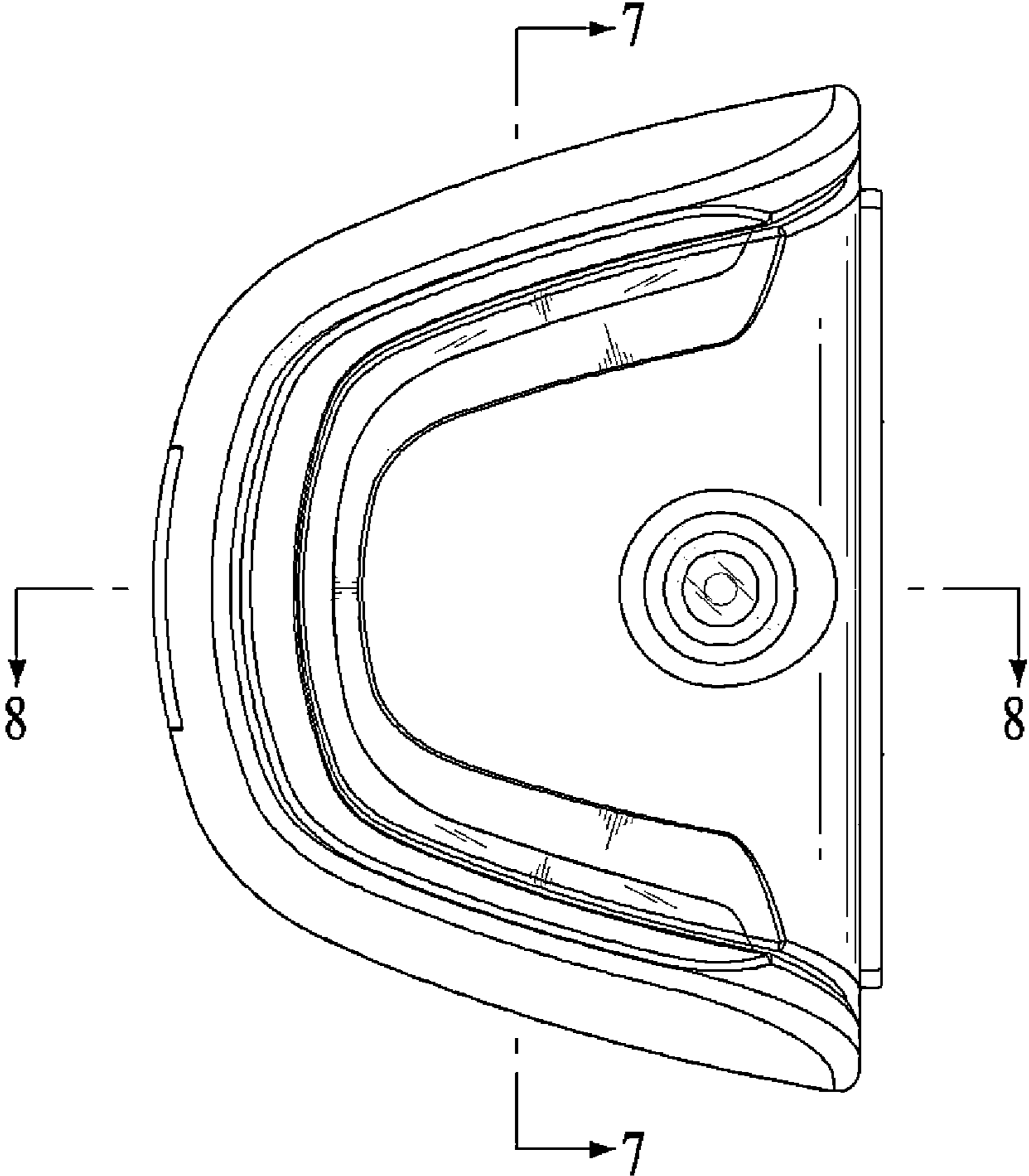


FIG. 3

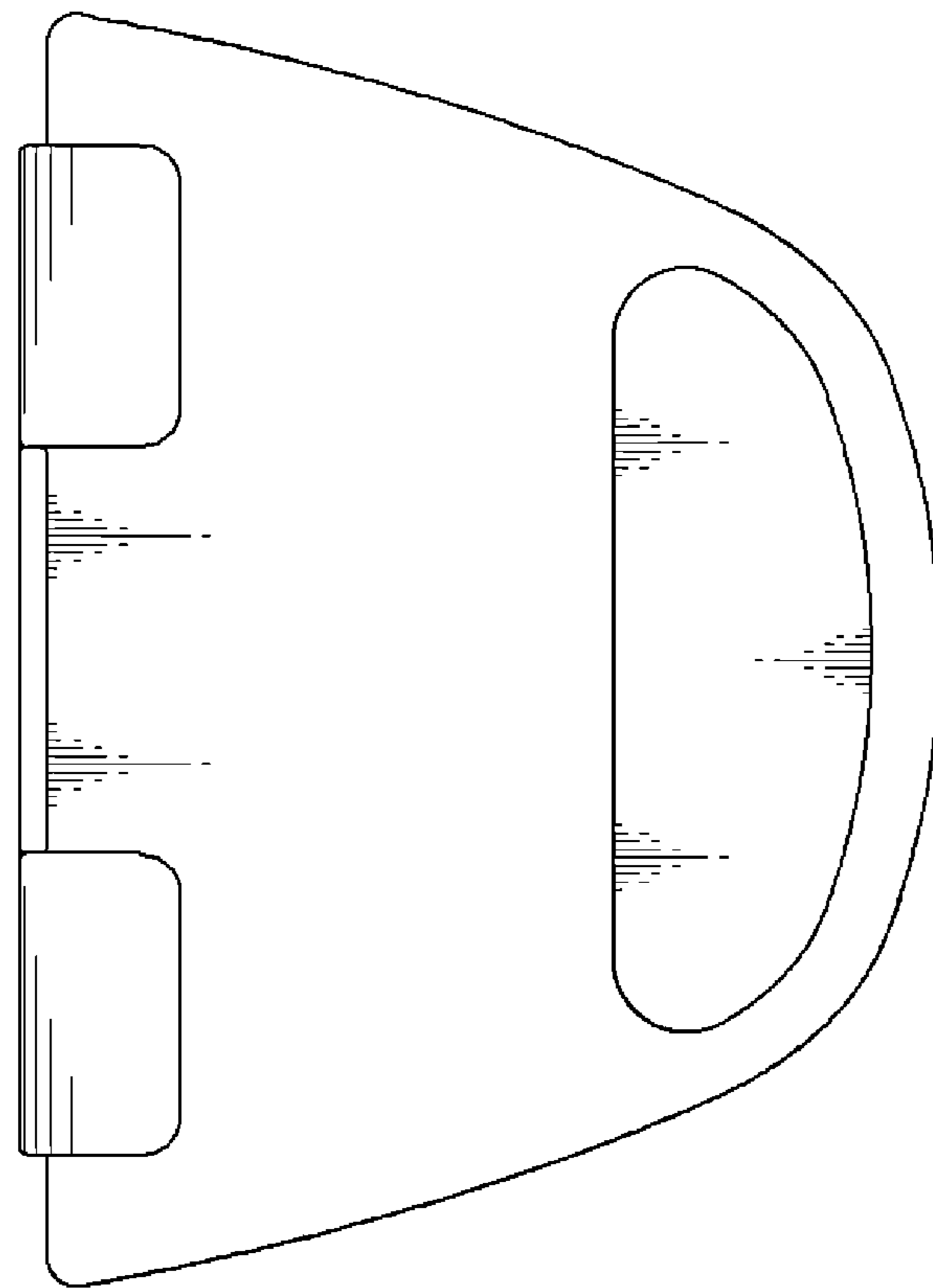


FIG. 4

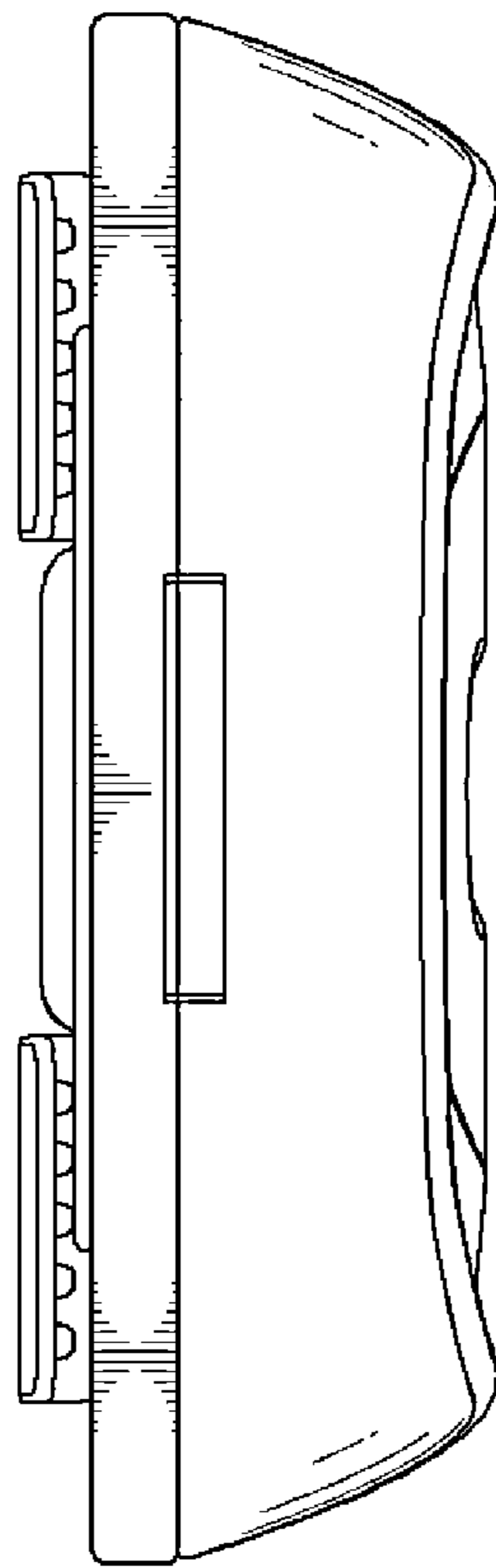


FIG. 5

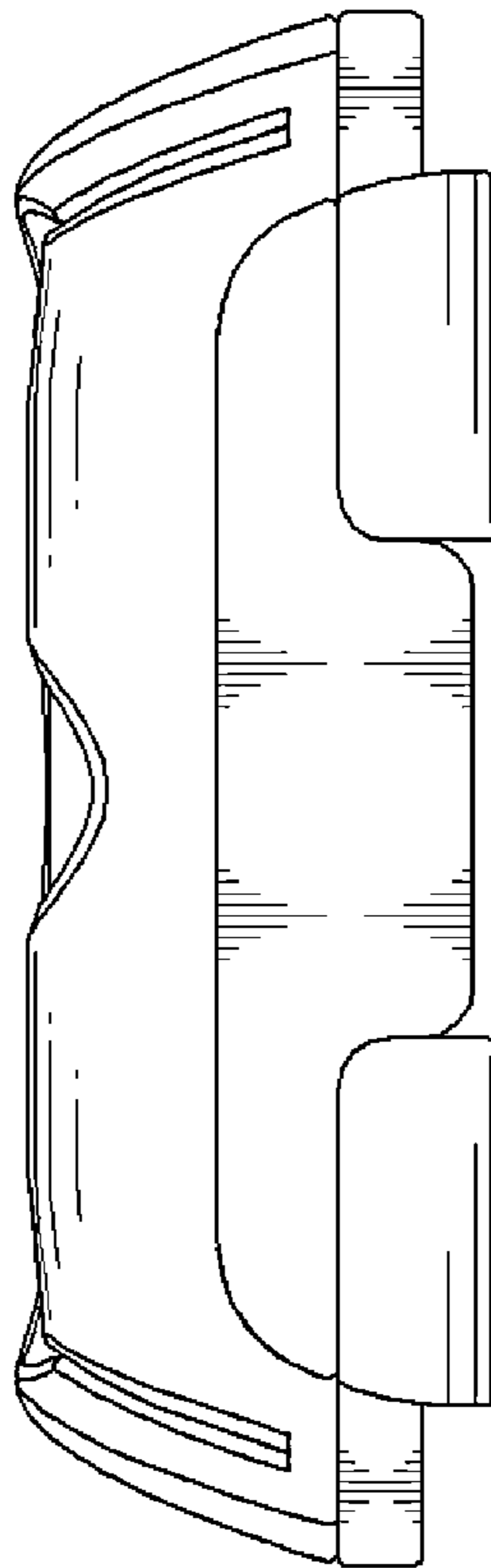


FIG. 6

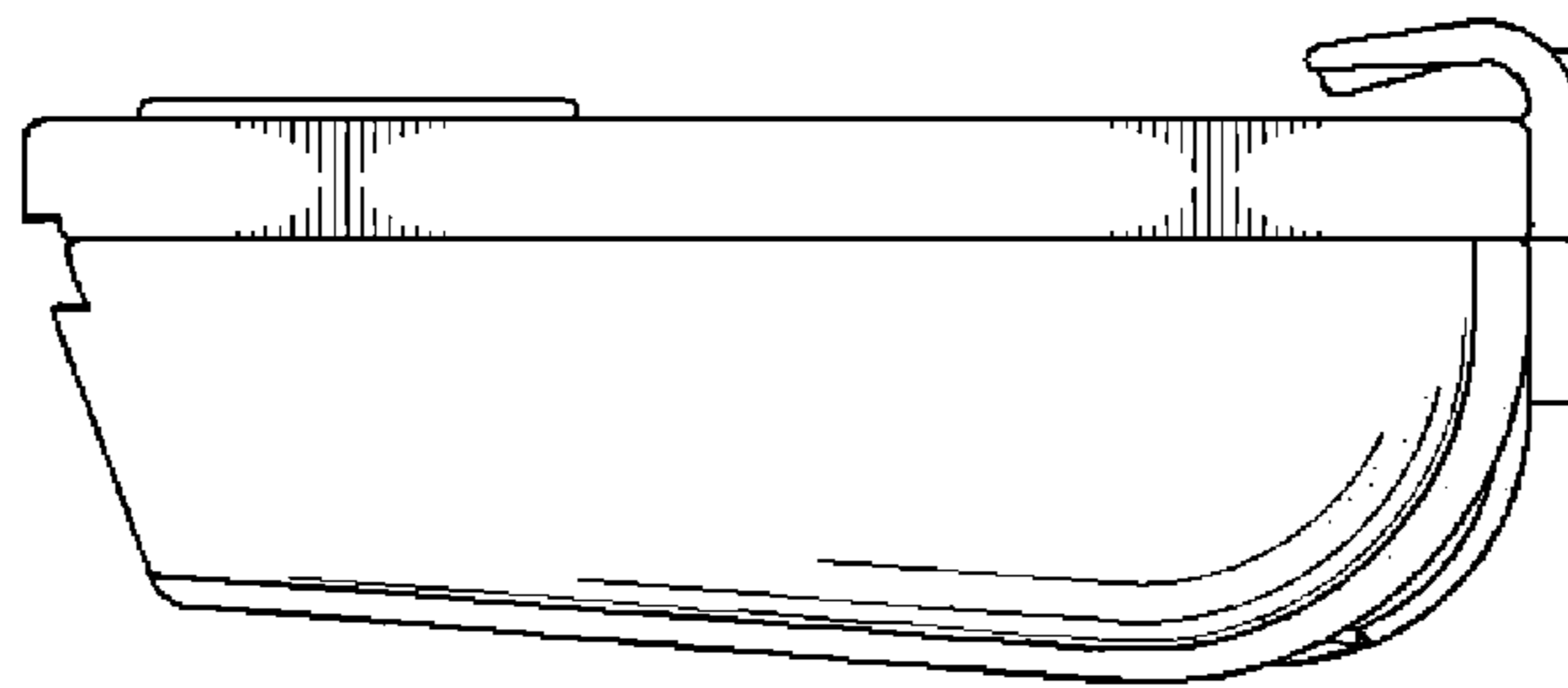


FIG. 7

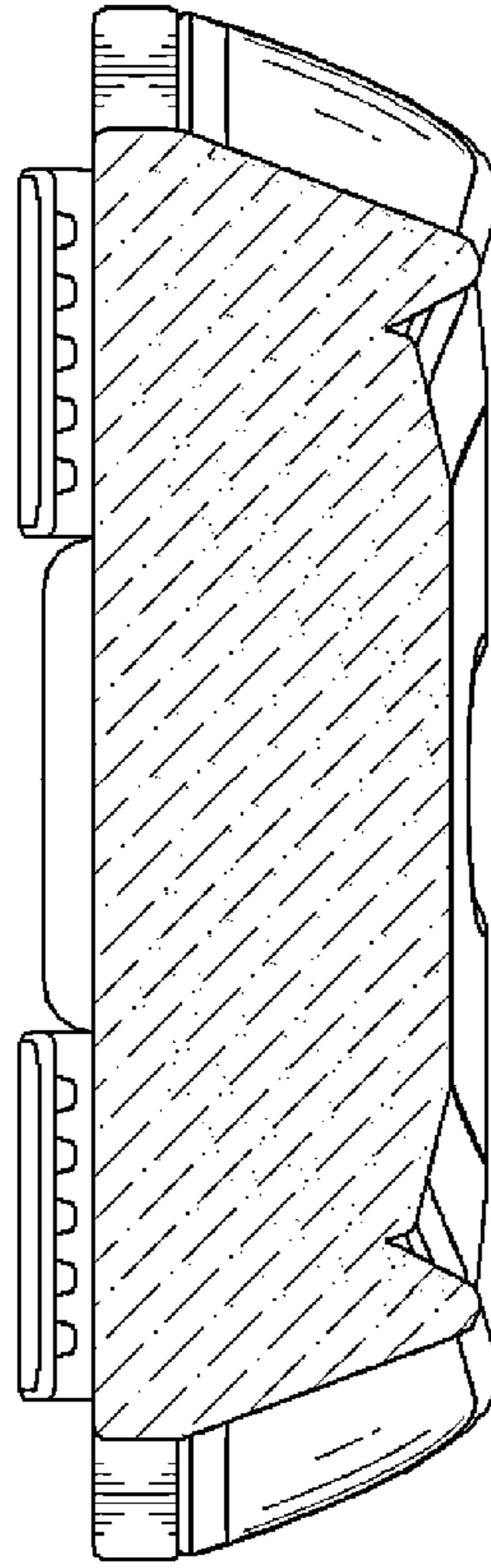


FIG. 8

