



US00D730784S

(12) **United States Design Patent**
Platto et al.

(10) **Patent No.:** **US D730,784 S**
(45) **Date of Patent:** **** Jun. 2, 2015**

(54) **VEHICLE GRILLE**

(71) Applicant: **Ford Motor Company**, Dearborn, MI (US)

(72) Inventors: **Gordon M. Platto**, Troy, MI (US); **Bradley A. Richards**, Bloomfield Hills, MI (US); **Moray S. Callum**, Ann Arbor, MI (US); **Joel Piaskowski**, Brighton (AU); **John Kim**, Ann Arbor, MI (US)

(73) Assignee: **Ford Motor Company**, Dearborn, MI (US)

(**) Term: **14 Years**

(21) Appl. No.: **29/475,393**

(22) Filed: **Dec. 3, 2013**

(51) **LOC (10) Cl.** **12-16**

(52) **U.S. Cl.**
USPC **D12/163**

(58) **Field of Classification Search**
USPC D12/163, 196, 171, 216, 169, 86, D12/90-92; 180/68.1, 68.6; 296/193.11
See application file for complete search history.

(56) **References Cited**

U.S. PATENT DOCUMENTS

D590,754 S * 4/2009 Woolley et al. D12/169
D606,460 S * 12/2009 Richards et al. D12/163

D607,786 S * 1/2010 Golden et al. D12/163
D607,787 S * 1/2010 Golden et al. D12/163
D613,209 S * 4/2010 Elliott et al. D12/163
D685,697 S * 7/2013 Platto et al. D12/163
D695,166 S * 12/2013 Tada D12/169
D695,167 S * 12/2013 Platto et al. D12/169
D703,111 S * 4/2014 Platto et al. D12/163
D711,789 S * 8/2014 Sahara et al. D12/163
D712,317 S * 9/2014 George et al. D12/163

* cited by examiner

Primary Examiner — Melody Brown

(74) *Attorney, Agent, or Firm* — Damian Porcari

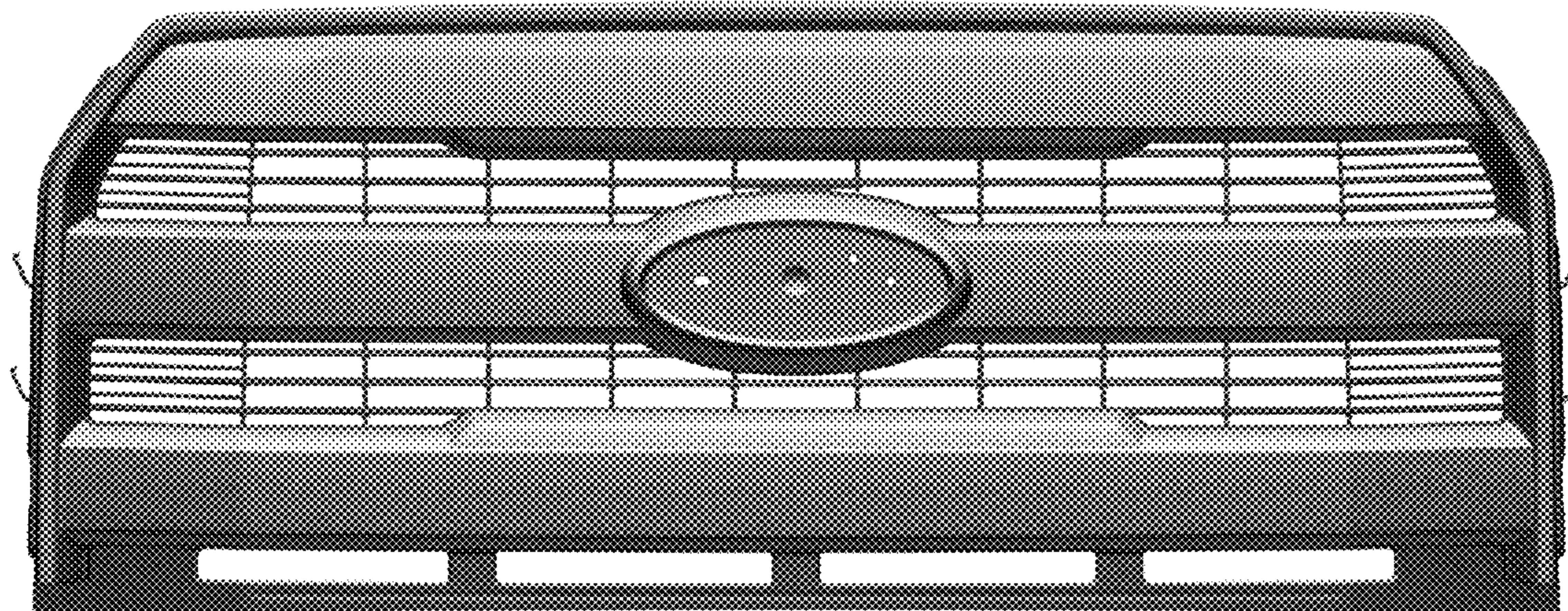
(57) **CLAIM**

The ornamental design for a vehicle grille, as shown and described.

DESCRIPTION

FIG. 1 is a top plan view of a vehicle grille;
FIG. 2 is a bottom plan view thereof;
FIG. 3 is a front elevational view thereof
FIG. 4 is a left side elevational view thereof;
FIG. 5 is a right side elevational view thereof;
FIG. 6 is a top and left side perspective view thereof;
FIG. 7 is a top and right side perspective view thereof; and,
FIG. 8 is a front elevational view of a vehicle grille showing a second embodiment, all other drawing views are the same as in the first embodiment.

1 Claim, 8 Drawing Sheets



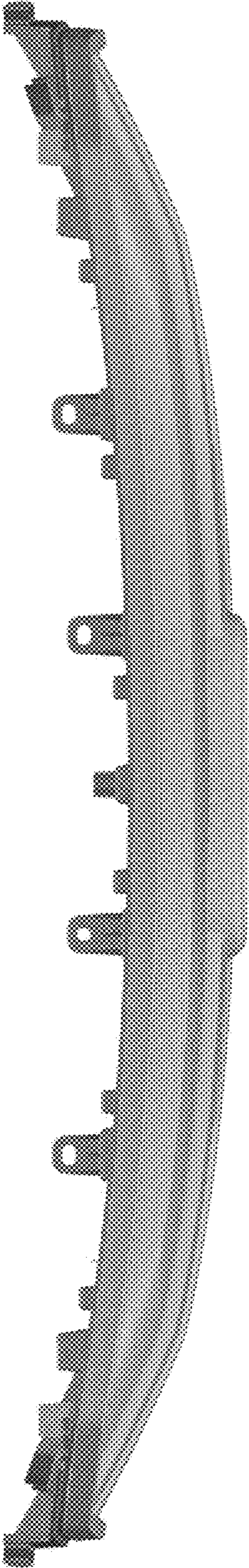


Figure 1

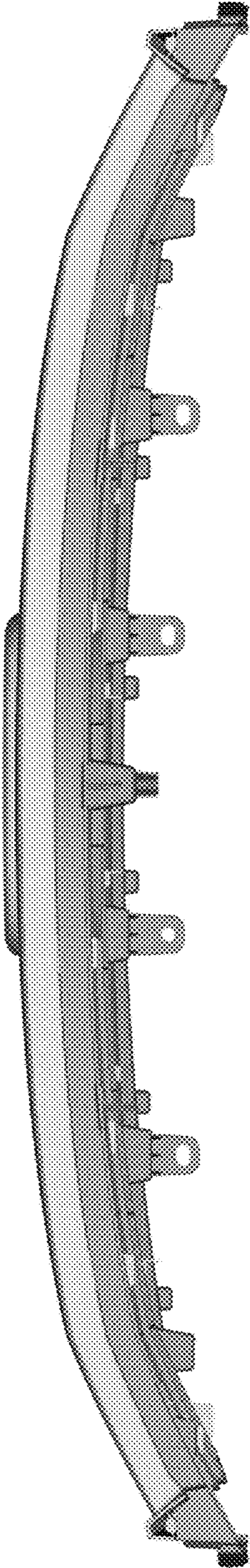


Figure 2

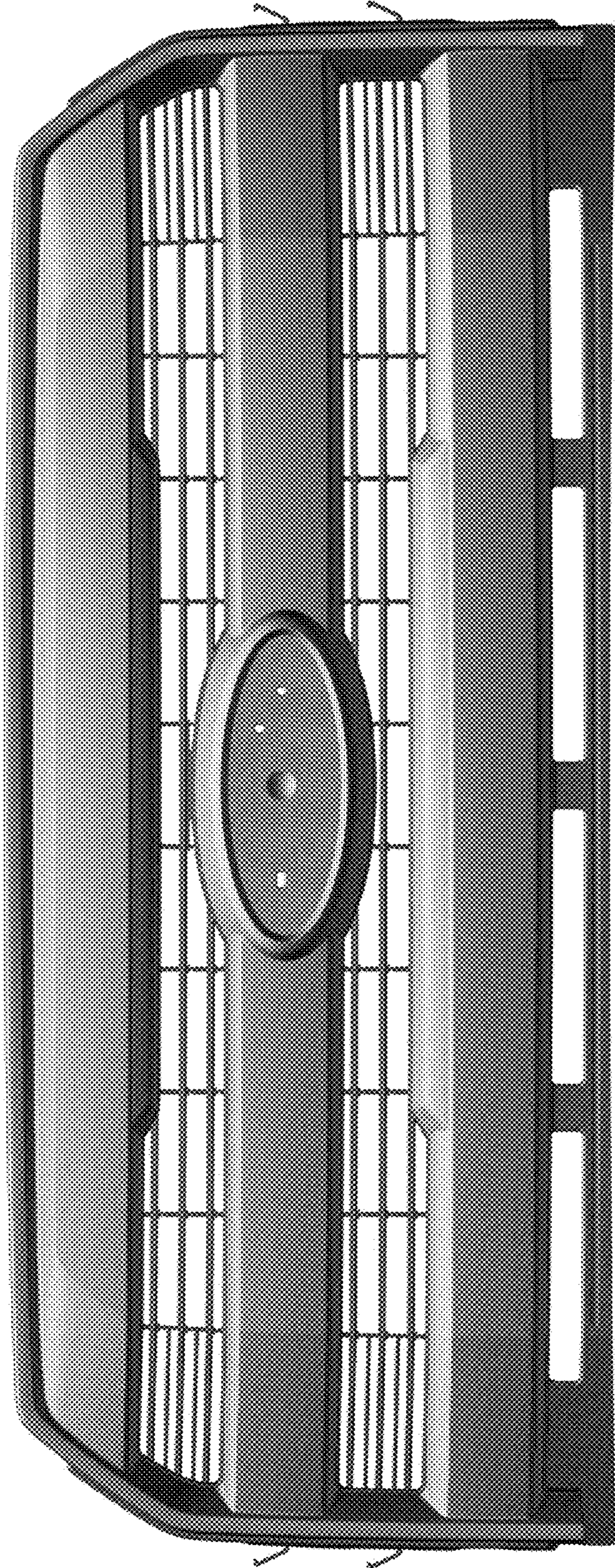


Figure 3

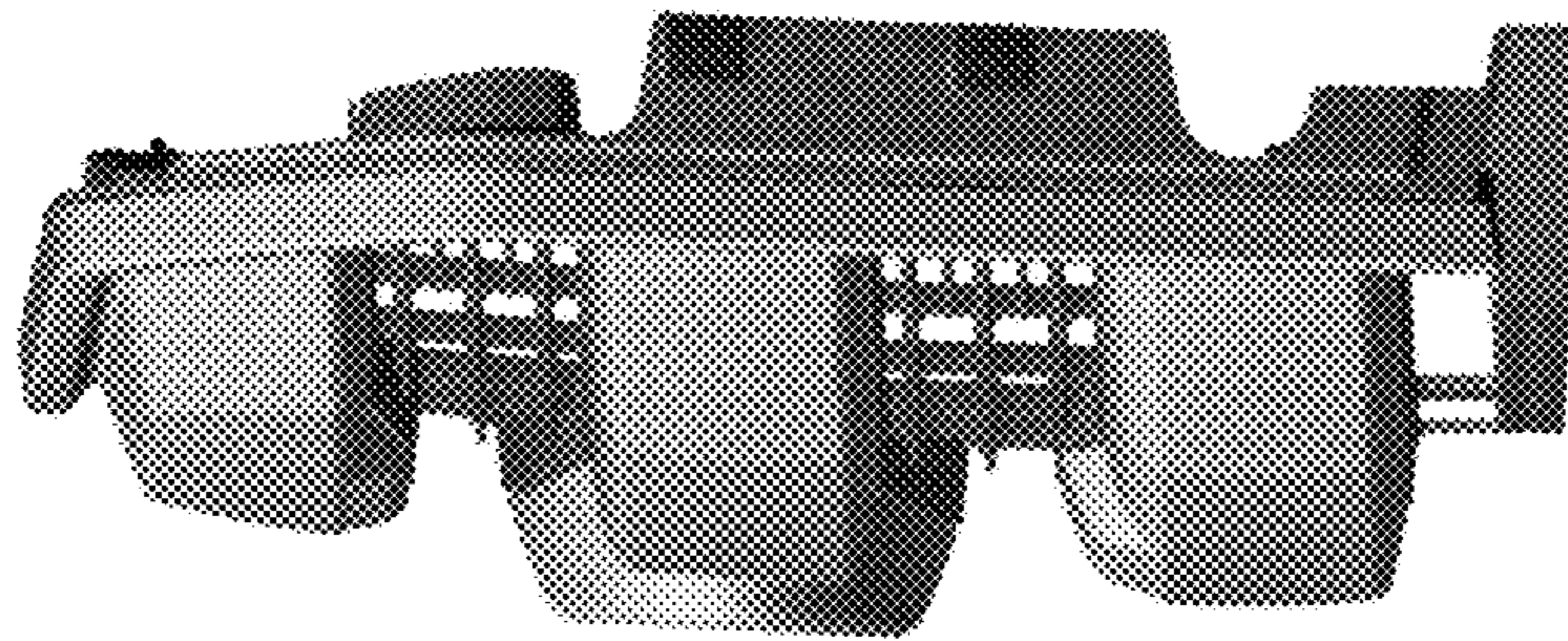


Figure 4

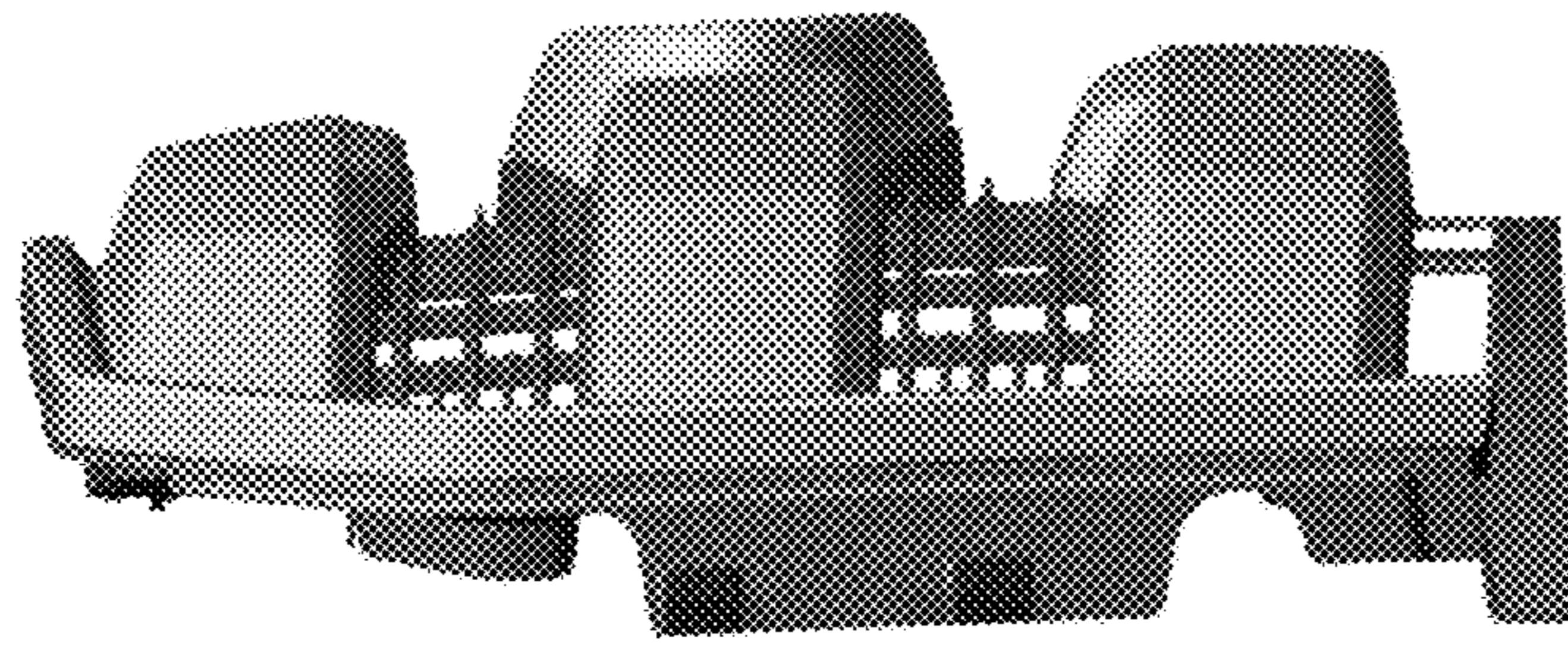


Figure 5

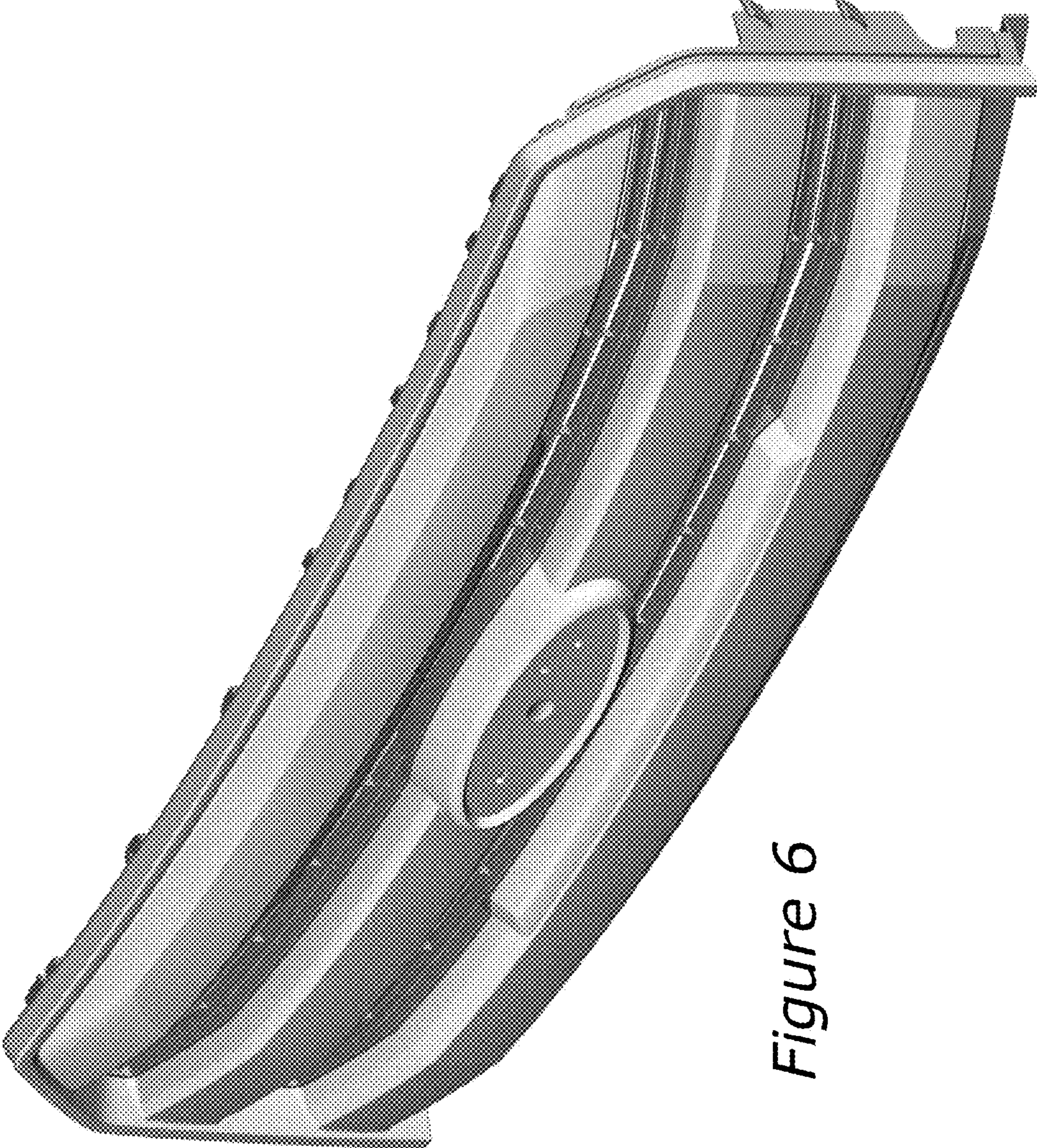


Figure 6



Figure 7

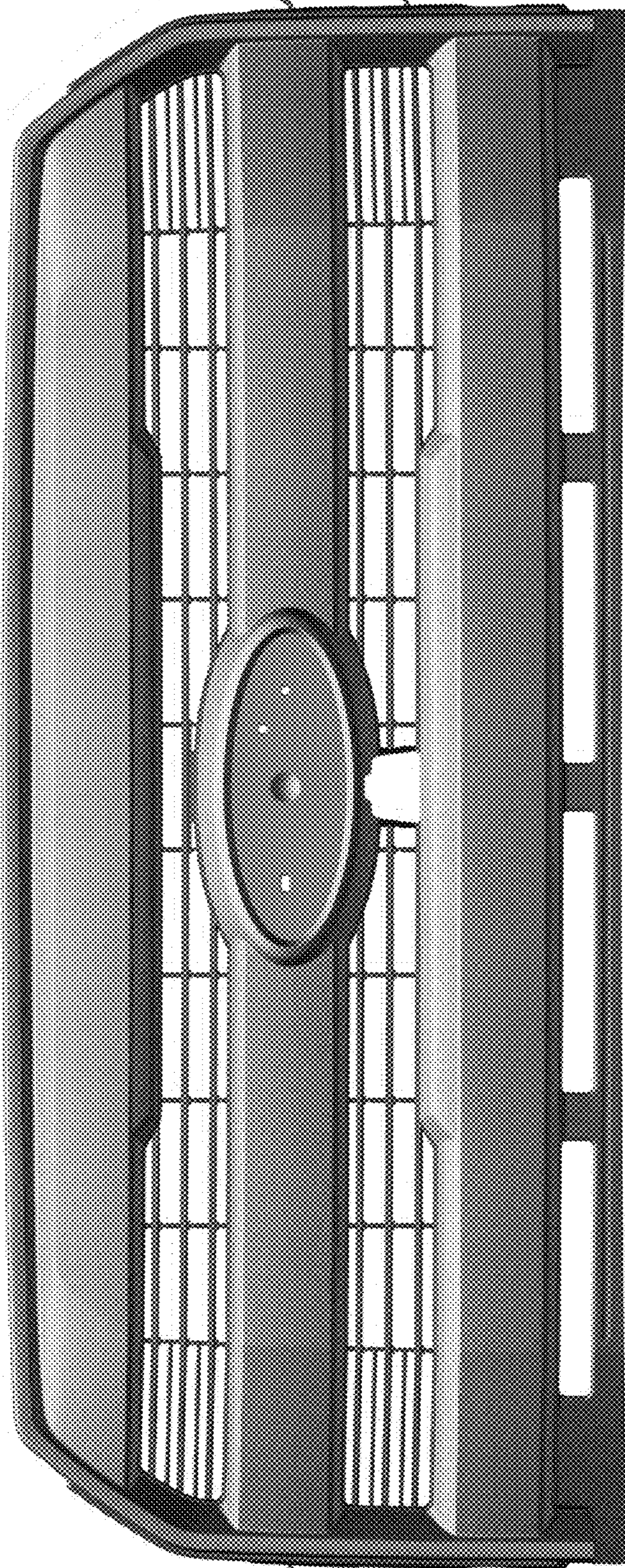


Figure 8