



US00D730782S

(12) **United States Design Patent**  
**Miller et al.**

(10) **Patent No.:** **US D730,782 S**  
(45) **Date of Patent:** **\*\* Jun. 2, 2015**

- (54) **TRAILER HITCH**
- (71) Applicants: **George B. C. Miller**, Berlin, MD (US);  
**Millie S. Miller**, Berlin, MD (US)
- (72) Inventors: **George B. C. Miller**, Berlin, MD (US);  
**Millie S. Miller**, Berlin, MD (US)
- (\*\*) Term: **14 Years**
- (21) Appl. No.: **29/482,547**
- (22) Filed: **Feb. 19, 2014**

D269,175	S	*	5/1983	Perry et al.	.....	D12/162
5,044,652	A		9/1991	Brisson		
5,351,982	A		10/1994	Walrath		
5,725,229	A		3/1998	McWethy		
6,460,870	B2	*	10/2002	Moss	.....	280/491.3
6,896,282	B1	*	5/2005	McKinley	.....	280/495
6,974,148	B2	*	12/2005	Moss et al.	.....	280/511
7,004,492	B2	*	2/2006	Moss et al.	.....	280/511
7,021,643	B1		4/2006	Buchanan		
7,029,022	B2	*	4/2006	Moss	.....	280/491.3
7,347,440	B2		3/2008	Shannon		
7,425,014	B1	*	9/2008	Palmer	.....	280/479.3
7,862,066	B2	*	1/2011	Smith	.....	280/416.1
8,366,133	B2	*	2/2013	Brinkley	.....	280/416.1
2010/0207360	A1		8/2010	Columbia		

**Related U.S. Application Data**

- (63) Continuation of application No. 13/853,456, filed on Mar. 29, 2013, now abandoned.
- (51) **LOC (10) Cl.** ..... **12-16**
- (52) **U.S. Cl.**  
USPC ..... **D12/162**
- (58) **Field of Classification Search**  
USPC ..... D12/162, 159-161; 56/DIG. 14; 37/399;  
280/406.2, 407, 407.1, 408, 411.1,  
280/416.1-416.3, 418, 418.1, 433, 434,  
280/435, 441.1, 441.2, 455.1, 456.1, 480,  
280/493, 504, 507, 508; 224/42.11, 42.12,  
224/42.14, 42.26, 400, 401, 412, 413, 488,  
224/494, 500-501, 519, 537; 135/88.05;  
150/166  
See application file for complete search history.

\* cited by examiner

*Primary Examiner* — Katrina A Betton  
(74) *Attorney, Agent, or Firm* — Robert C. Montgomery;  
Montgomery Patent & Design, LP

(57) **CLAIM**

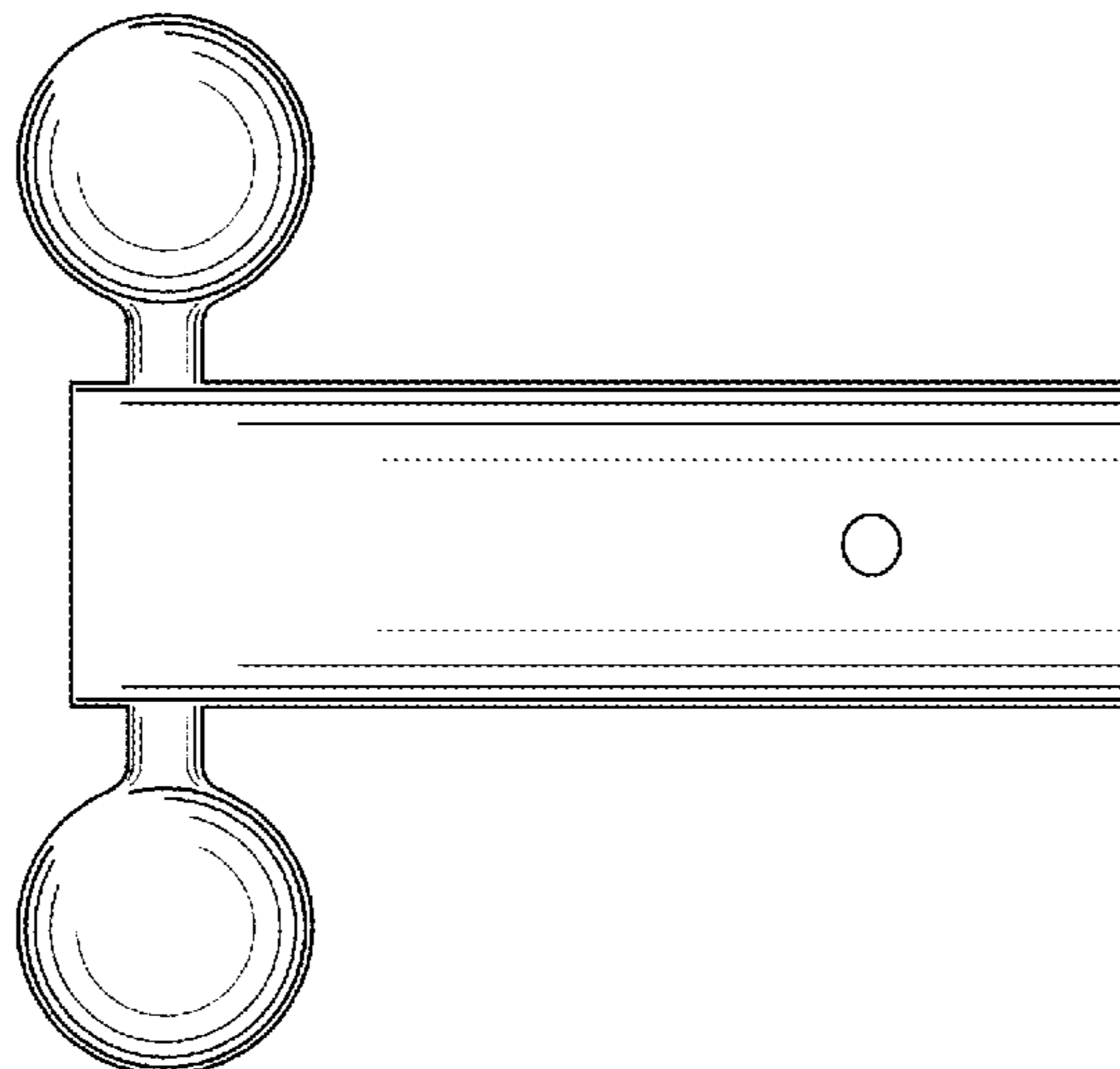
The ornamental design for a trailer hitch, as shown and described.

**DESCRIPTION**

FIG. 1 is a top perspective view of a trailer hitch;  
FIG. 2 is a bottom-left perspective view thereof;  
FIG. 3 is a bottom-right perspective view thereof;  
FIG. 4 is a front view thereof, wherein a rear view is a mirror image of the front view;  
FIG. 5 is a left-hand side view thereof, wherein a right-hand side view of a mirror image of the left-hand side view; and,  
FIG. 6 is a top view thereof, wherein a bottom view is a mirror image of the top view.

**1 Claim, 6 Drawing Sheets**

- (56) **References Cited**  
U.S. PATENT DOCUMENTS  
4,050,714 A 9/1977 Epp  
4,248,450 A 2/1981 McWethy



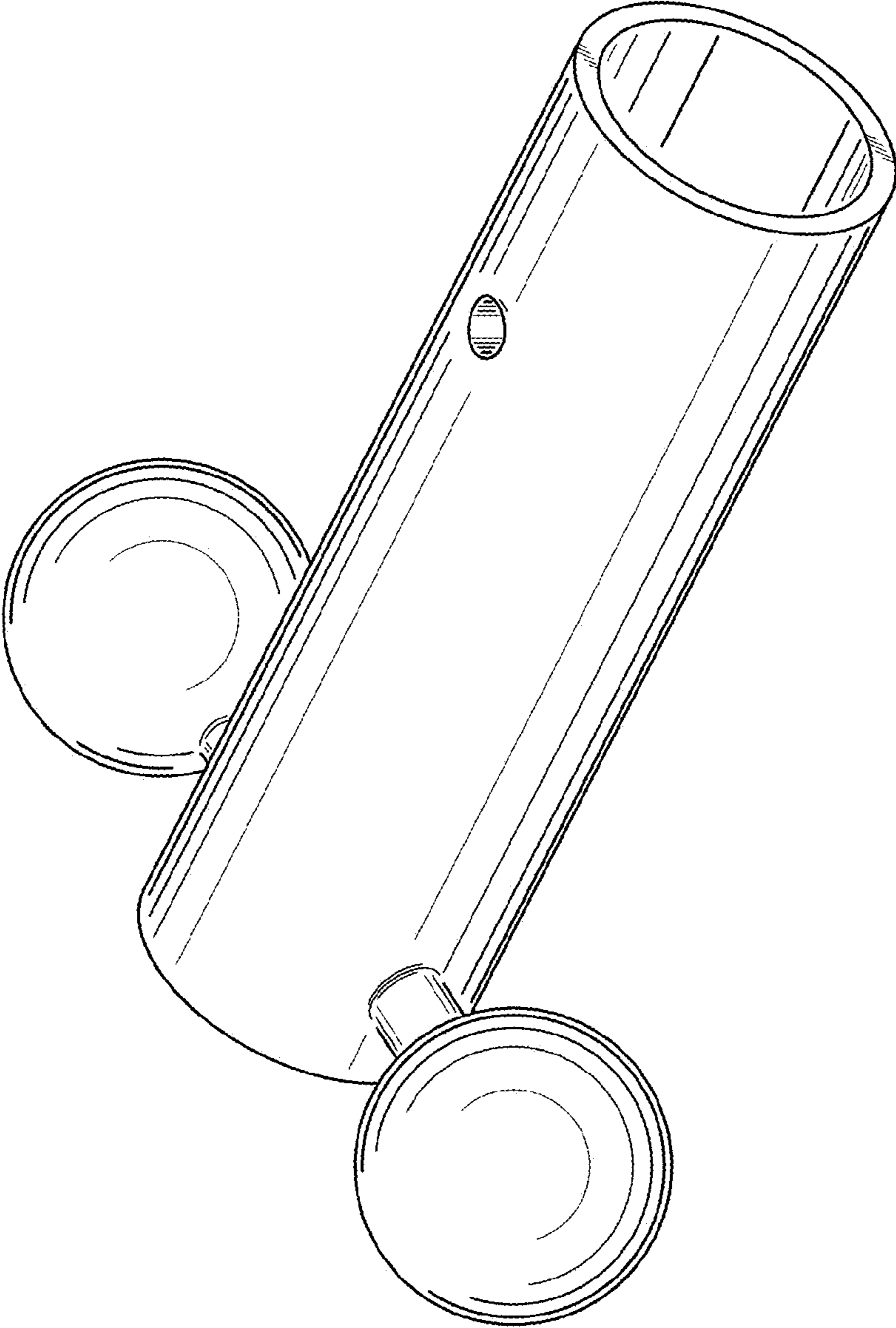


Fig. 1

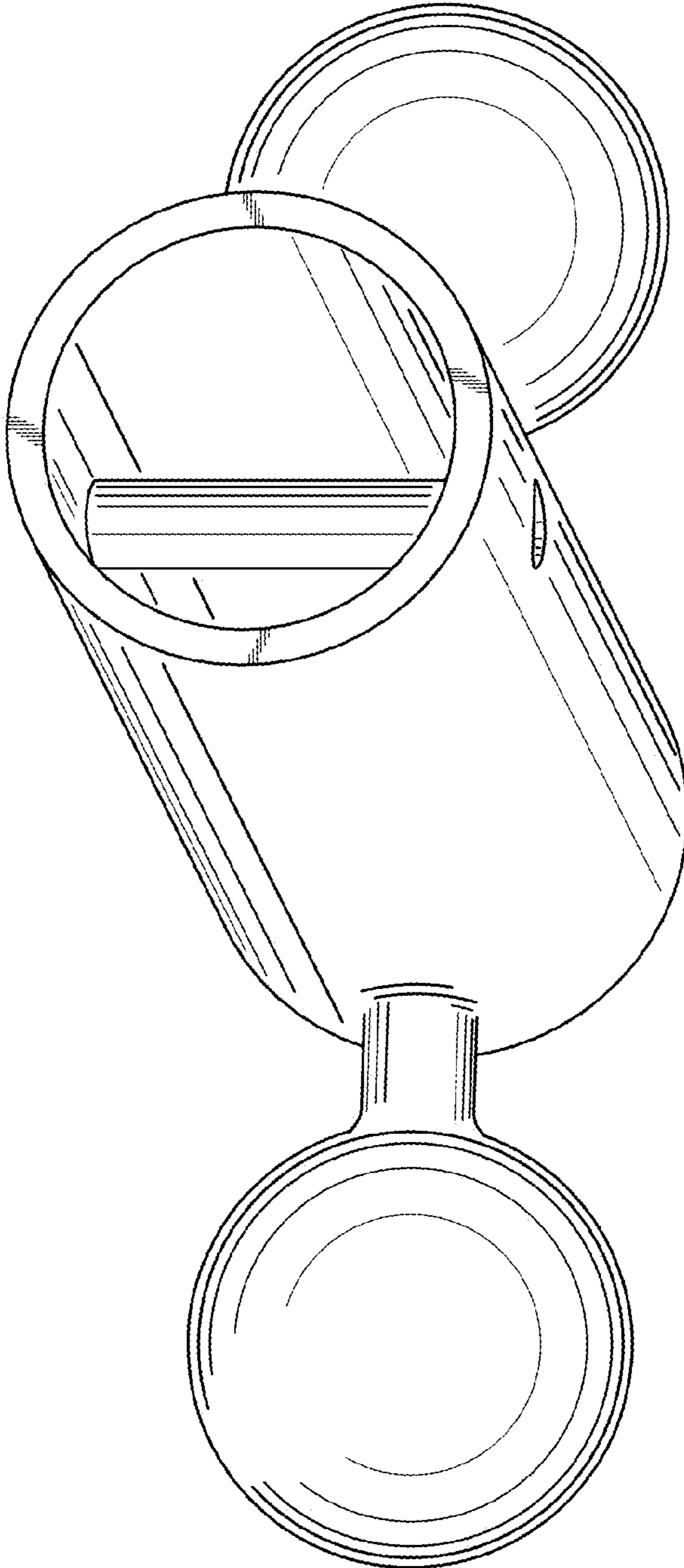


Fig. 2

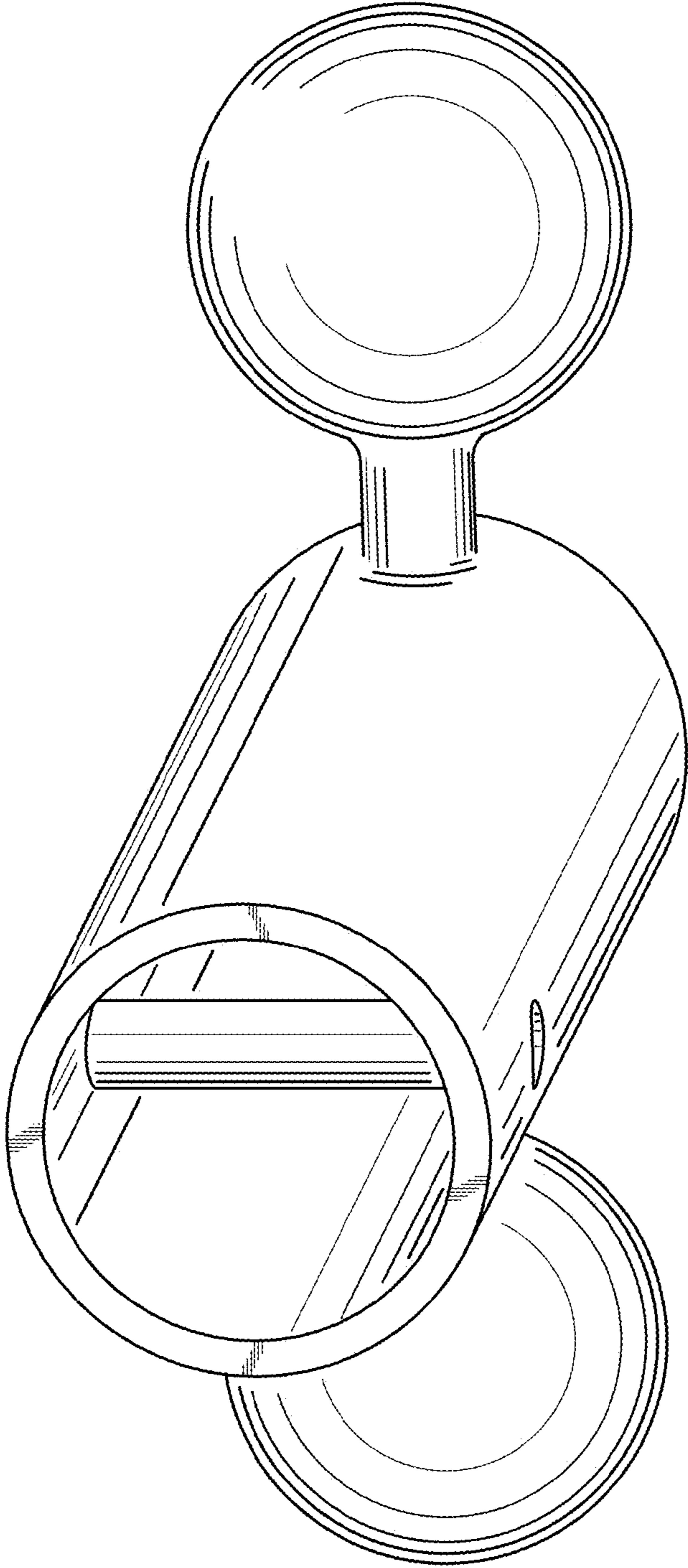


Fig.3

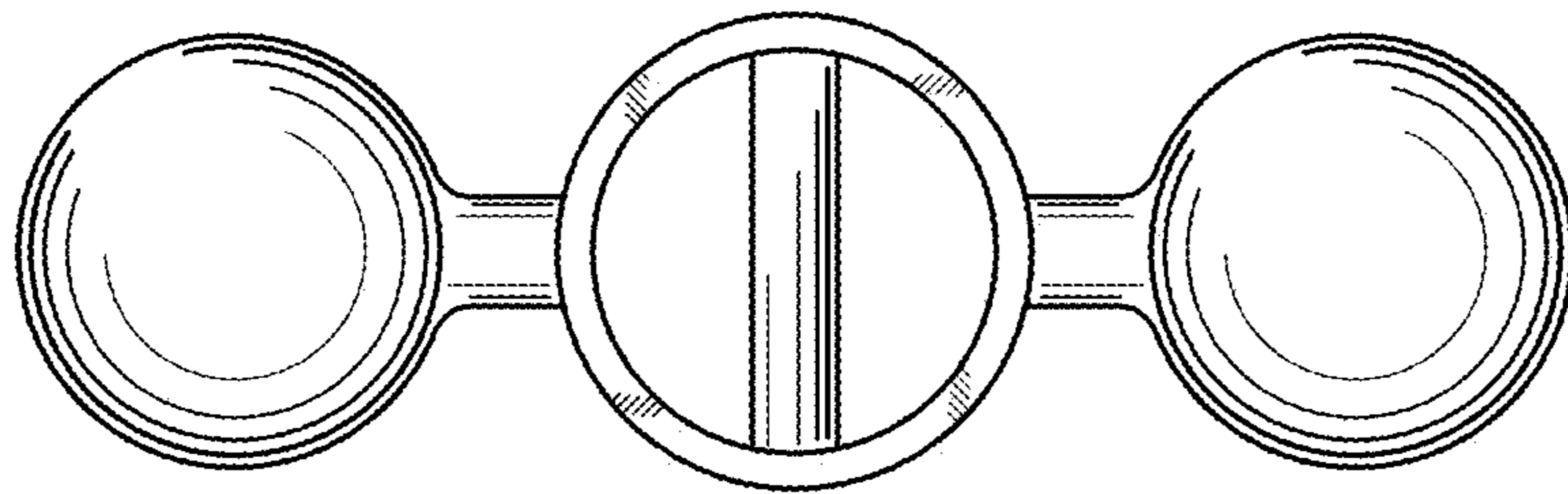


Fig. 4

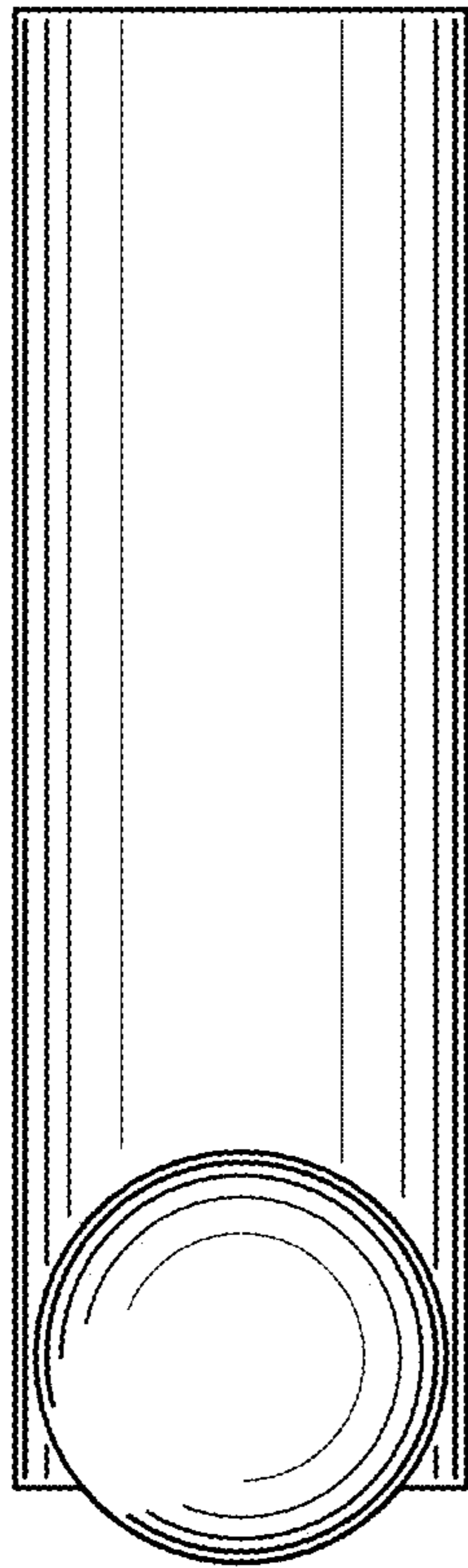


Fig. 5

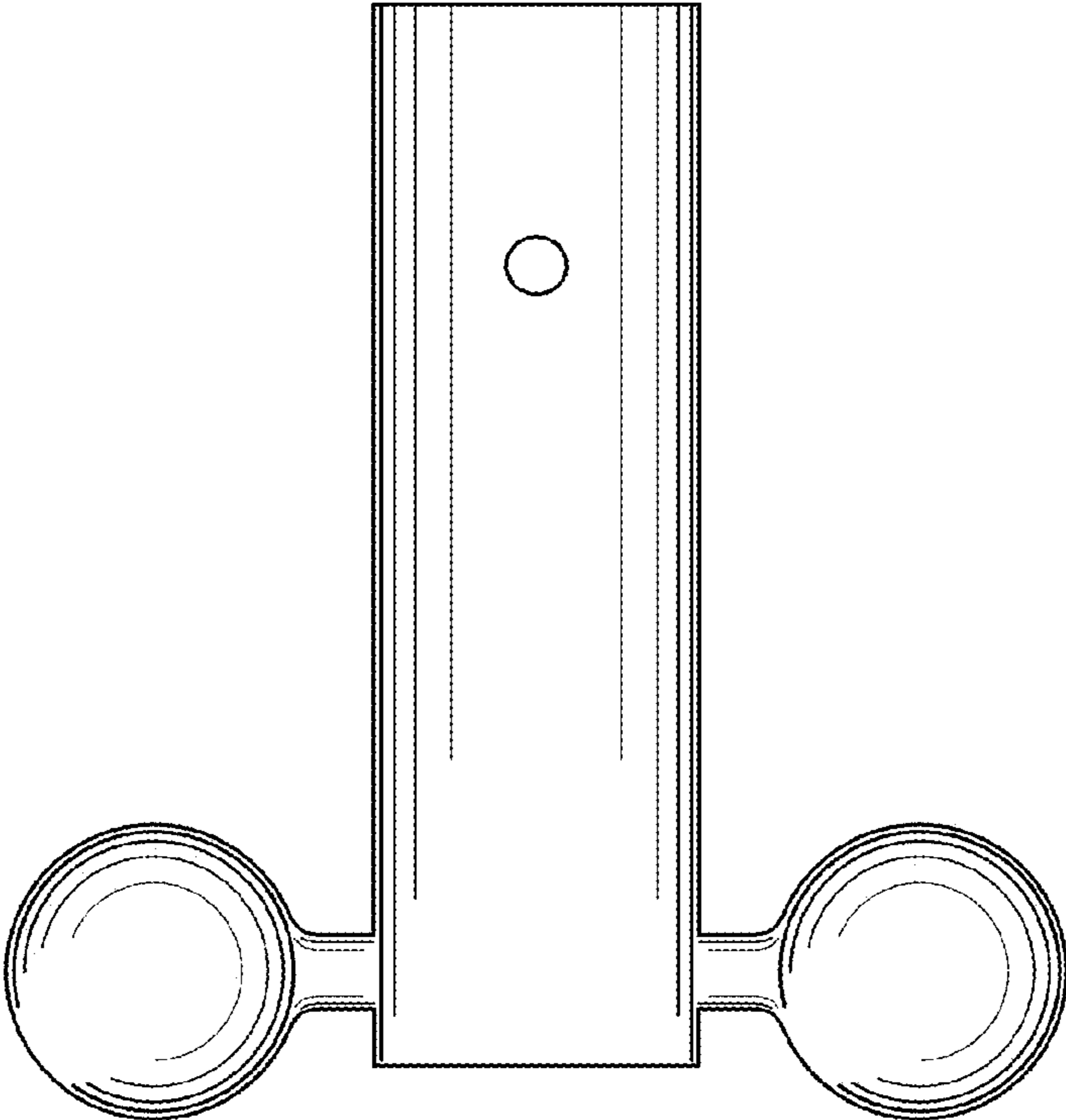


Fig. 6