



US00D730781S

(12) **United States Design Patent**
Arbour et al.

(10) **Patent No.:** **US D730,781 S**
(45) **Date of Patent:** **** Jun. 2, 2015**

(54) **ELECTRIC BICYCLE**
(71) Applicant: **TECHNOLOGIES BEWEGEN INC.**,
St-Georges, Beauce (CA)
(72) Inventors: **Dominic Arbour**, Montreal (CA);
Michel Dallaire, Montreal (CA); **Colin**
Cote, Montreal (CA)

7,034,665 B2 4/2006 Kojika
7,281,399 B2 10/2007 Gagosz
7,322,592 B2 * 1/2008 Francis et al. 280/152.2
7,468,667 B2 12/2008 Moffett
7,471,191 B2 12/2008 Le Gars et al.
D587,630 S * 3/2009 Yang D12/111
D593,006 S 5/2009 Dallaire
D594,787 S 6/2009 Dallaire
D595,618 S 7/2009 Dallaire

(Continued)

(**) Term: **14 Years**

FOREIGN PATENT DOCUMENTS

(21) Appl. No.: **29/499,653**

EP 2639144 9/2013
FR 2764261 12/1998

(22) Filed: **Aug. 18, 2014**

(Continued)

(51) **LOC (10) Cl.** **12-11**

(52) **U.S. Cl.**
USPC **D12/111**

(58) **Field of Classification Search**
USPC D12/111, 117; 280/274–280, 281.1,
280/283–288, 288.1–288.4
CPC B62K 3/00; B62K 3/005; B62K 9/00;
B62K 19/00; B62K 19/02; B62K 19/04;
B62K 19/06; B62K 19/16
See application file for complete search history.

Primary Examiner — Philip S Hyder
Assistant Examiner — Darlington Ly
(74) *Attorney, Agent, or Firm* — Norton Rose Fulbright
Canada LLP

(57) **CLAIM**
The ornamental design for an electric bicycle, as shown and
described.

(56) **References Cited**

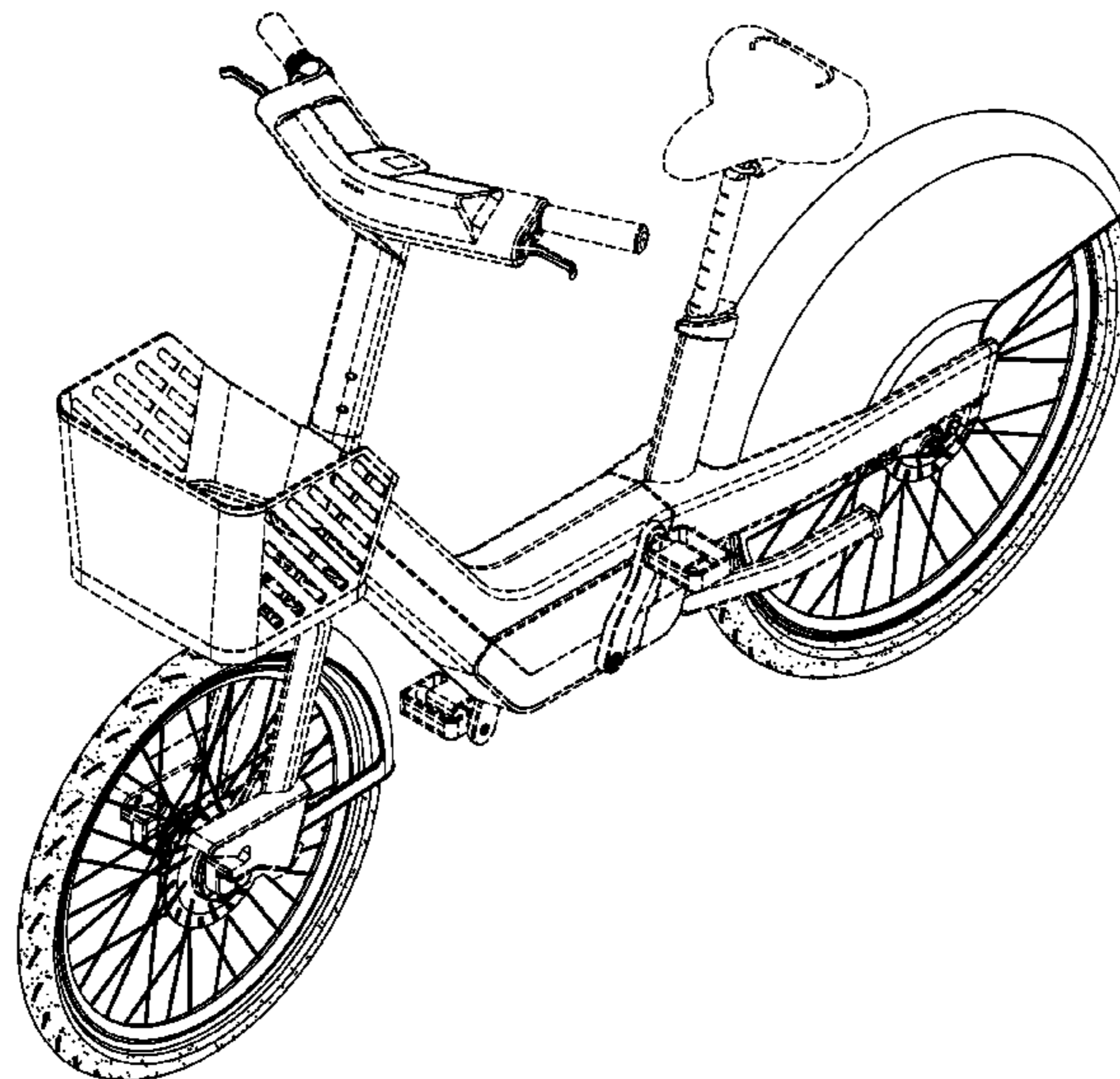
DESCRIPTION

U.S. PATENT DOCUMENTS

D158,652 S * 5/1950 Dailey D12/186
4,169,512 A * 10/1979 Ishikawa et al. 180/205.5
D386,723 S * 11/1997 Fujieda D12/110
D401,534 S * 11/1998 Higashihara et al. D12/110
5,841,351 A 11/1998 Rey
5,917,407 A 6/1999 Squire et al.
6,006,850 A 12/1999 Yu
6,081,205 A 6/2000 Williams et al.
6,249,744 B1 6/2001 Morita
6,371,230 B1 4/2002 Ciarla et al.
6,384,717 B1 5/2002 DeVolpi
D485,512 S * 1/2004 Liu D12/111
6,978,162 B2 12/2005 Russell et al.

FIG. 1 is a right rear perspective view of an electric bicycle in
accordance with our new design.
FIG. 2 is a left front perspective view of the design of FIG. 1.
FIG. 3 is a top plan view of the design of FIG. 1.
FIG. 4 is a front elevational view of the design of FIG. 1.
FIG. 5 is a rear elevational view of the design of FIG. 1.
FIG. 6 is a left side elevational view of the design of FIG. 1;
and,
FIG. 7 is a right side elevational view of the design of FIG. 1.
The broken lines shown in the drawings illustrate portions of
the electric bicycle that forms no part of claimed design.

1 Claim, 7 Drawing Sheets



(56)

References Cited

U.S. PATENT DOCUMENTS

D595,646 S 7/2009 McConnell
 D597,896 S 8/2009 Dallaire
 D600,201 S 9/2009 Dallaire
 7,631,885 B2 12/2009 Safarik et al.
 D612,781 S * 3/2010 Harrell, Jr. D12/186
 D614,084 S * 4/2010 Tanaka et al. D12/111
 7,726,160 B2 6/2010 Gagosz et al.
 7,729,822 B2 6/2010 Le Gars et al.
 D625,228 S * 10/2010 Lockart D12/111
 D626,037 S * 10/2010 Thetard D12/111
 D626,493 S 11/2010 Dallaire et al.
 7,869,576 B1 1/2011 Rodkey et al.
 D632,617 S 2/2011 Kritzer et al.
 D634,249 S * 3/2011 Dallaire D12/186
 7,898,439 B2 3/2011 Bettez et al.
 7,920,054 B2 4/2011 Chen et al.
 7,946,432 B1 5/2011 Swanson et al.
 7,976,048 B2 7/2011 Bartolome et al.
 8,013,569 B2 9/2011 Hartman
 8,061,499 B2 11/2011 Khairallah
 8,119,968 B2 2/2012 Bigolin
 8,121,785 B2 2/2012 Swisher et al.
 8,272,491 B2 9/2012 Khairallah
 D668,216 S 10/2012 Dallaire
 8,280,619 B2 10/2012 Watkins
 8,319,091 B2 11/2012 Lyden
 D673,902 S 1/2013 Dallaire
 8,364,388 B2 1/2013 Naito
 8,364,389 B2 1/2013 Dorogusker et al.
 8,375,655 B1 2/2013 Welschholz
 8,432,270 B2 4/2013 Lee et al.
 8,437,873 B2 5/2013 North
 8,438,946 B2 5/2013 Giroux
 8,448,971 B2 5/2013 Giroux
 8,504,236 B2 8/2013 Guo et al.
 8,508,333 B2 8/2013 Kanof
 8,517,162 B2 8/2013 Khairallah
 8,536,993 B2 9/2013 Ayotte et al.
 8,538,688 B2 9/2013 Prehofer
 8,577,528 B2 11/2013 Uyeki et al.
 8,630,791 B2 1/2014 Yuasa
 8,678,205 B2 3/2014 Mercat et al.
 8,706,404 B2 4/2014 Crane
 8,710,791 B2 4/2014 Gochenaur
 8,725,410 B2 5/2014 Ando et al.
 8,738,212 B1 5/2014 Schieffelin
 2002/0113491 A1 8/2002 Eglit et al.
 2002/0174077 A1 11/2002 Yui et al.
 2003/0034873 A1 2/2003 Chase
 2004/0203564 A1 10/2004 Ho et al.
 2007/0239465 A1 10/2007 Le Gars
 2007/0239478 A1 10/2007 Yui et al.
 2007/0239627 A1 10/2007 Yui et al.
 2007/0250444 A1 10/2007 Yui et al.

2008/0018440 A1 1/2008 Aulbers et al.
 2008/0027794 A1 1/2008 Le Gars et al.
 2008/0034820 A1 2/2008 Gagosz et al.
 2008/0042811 A1 2/2008 Le Gars
 2008/0135321 A1 6/2008 Ripple et al.
 2008/0174431 A1 7/2008 Rodgers
 2008/0297108 A1 12/2008 Le Gars
 2009/0157289 A1 6/2009 Graessley et al.
 2009/0181826 A1 7/2009 Turner
 2009/0201127 A1 8/2009 Stobbe et al.
 2009/0240575 A1 9/2009 Bettez et al.
 2009/0315737 A1 12/2009 Gilmour
 2010/0079266 A1 4/2010 Holt
 2010/0117863 A1 5/2010 Dutt
 2010/0228405 A1 9/2010 Morgal et al.
 2010/0313614 A1 12/2010 Rzepecki
 2011/0015814 A1 1/2011 Starr et al.
 2011/0037240 A1 2/2011 Kritzer
 2011/0115193 A1 5/2011 Giroux
 2011/0121538 A1 5/2011 Giroux
 2011/0148346 A1 6/2011 Gagosz et al.
 2011/0161141 A1 6/2011 Bettez et al.
 2011/0226708 A1 9/2011 Mercat
 2011/0307394 A1 12/2011 Rzepecki
 2012/0038127 A1 * 2/2012 Bybee 280/152.1
 2012/0042725 A1 2/2012 Cote et al.
 2012/0086183 A1 4/2012 Ken
 2012/0109511 A1 5/2012 Swisher et al.
 2012/0196631 A1 8/2012 Fajstrup
 2012/0239248 A1 9/2012 Bobbitt
 2012/0313568 A1 12/2012 Paluszek et al.
 2013/0031121 A1 1/2013 Sera et al.
 2013/0042542 A1 2/2013 Welschholz
 2013/0049674 A1 2/2013 Davis
 2013/0063283 A1 3/2013 Kashima
 2013/0073428 A1 3/2013 Thramann
 2013/0076294 A1 3/2013 Smith
 2013/0076295 A1 3/2013 Tsai et al.
 2013/0080254 A1 3/2013 Thramann et al.
 2013/0127395 A1 5/2013 Duarte
 2013/0150028 A1 6/2013 Akins et al.
 2013/0158868 A1 6/2013 Chen et al.
 2013/0166998 A1 6/2013 Sutherland
 2013/0173159 A1 7/2013 Trum et al.
 2013/0193091 A1 8/2013 Kritzer et al.
 2013/0255336 A1 10/2013 Dallaire
 2013/0268448 A1 10/2013 Kanof
 2014/0021908 A1 1/2014 McCool et al.
 2014/0136281 A1 5/2014 Culver et al.
 2014/0155100 A1 6/2014 Baldasare et al.
 2014/0156108 A1 6/2014 Reich

FOREIGN PATENT DOCUMENTS

JP 09226382 A * 9/1997 B60K 1/04
 JP 2000072073 A * 3/2000 B62J 11/00

* cited by examiner

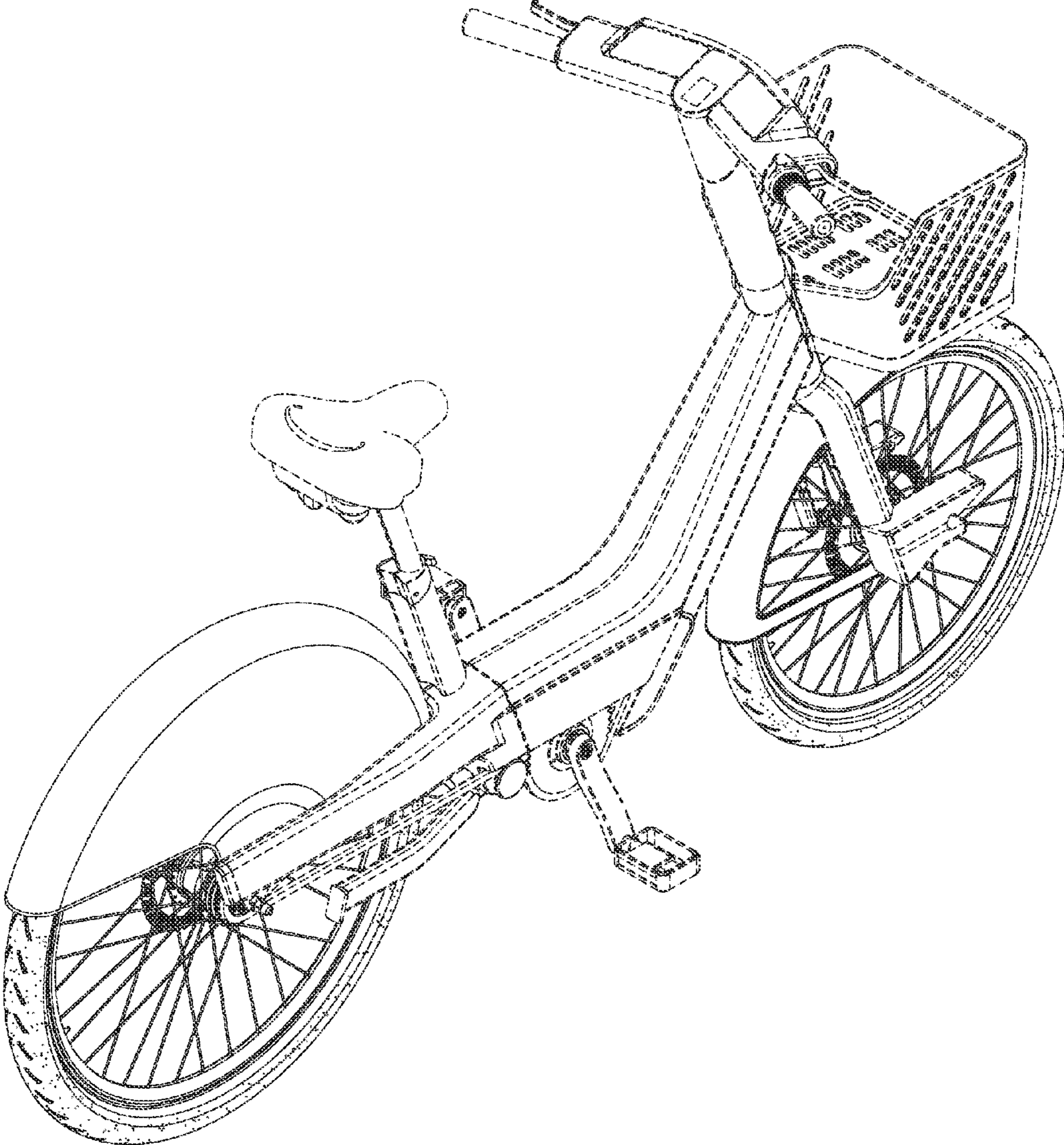


FIG-1

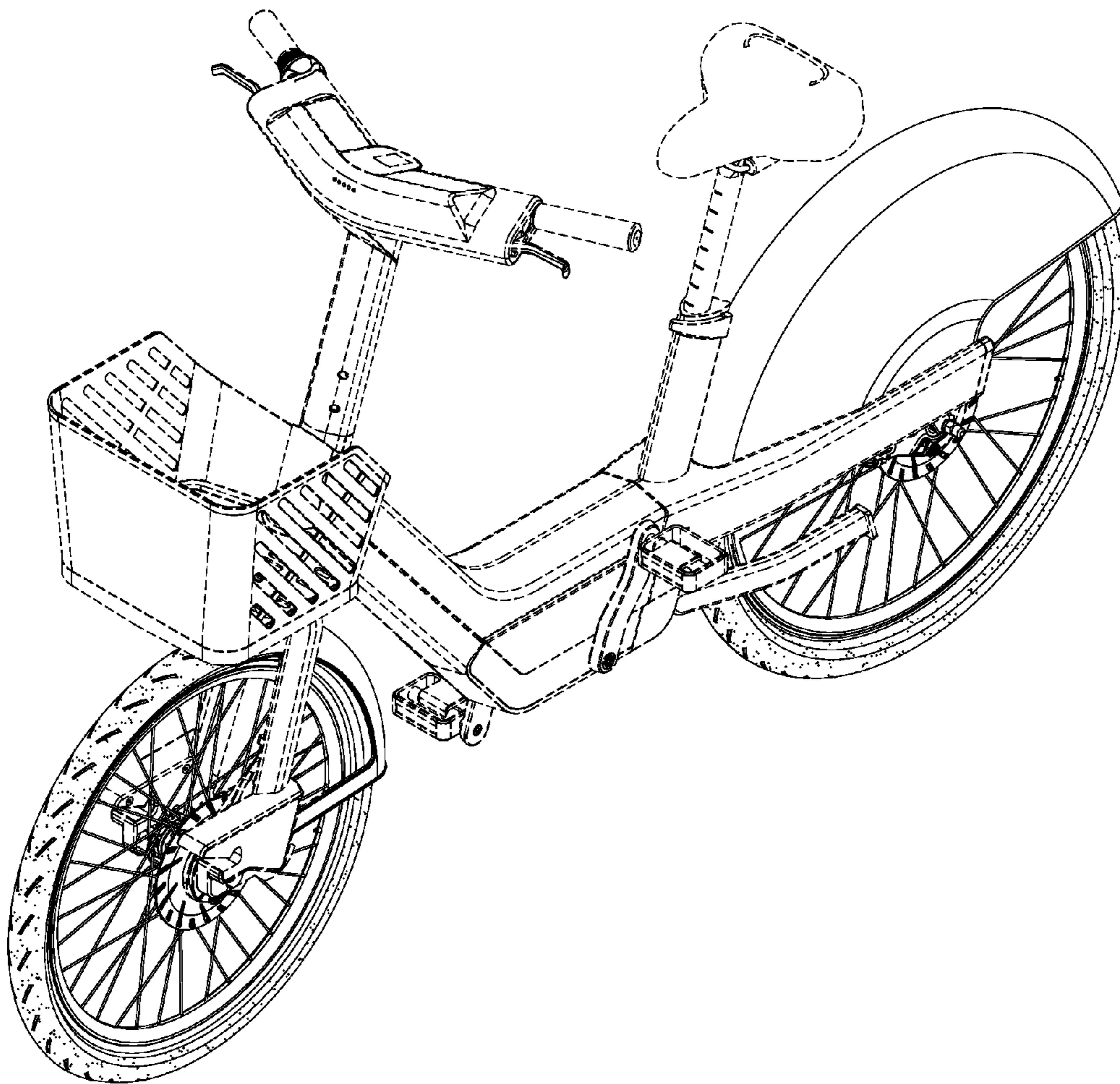


Fig. 2

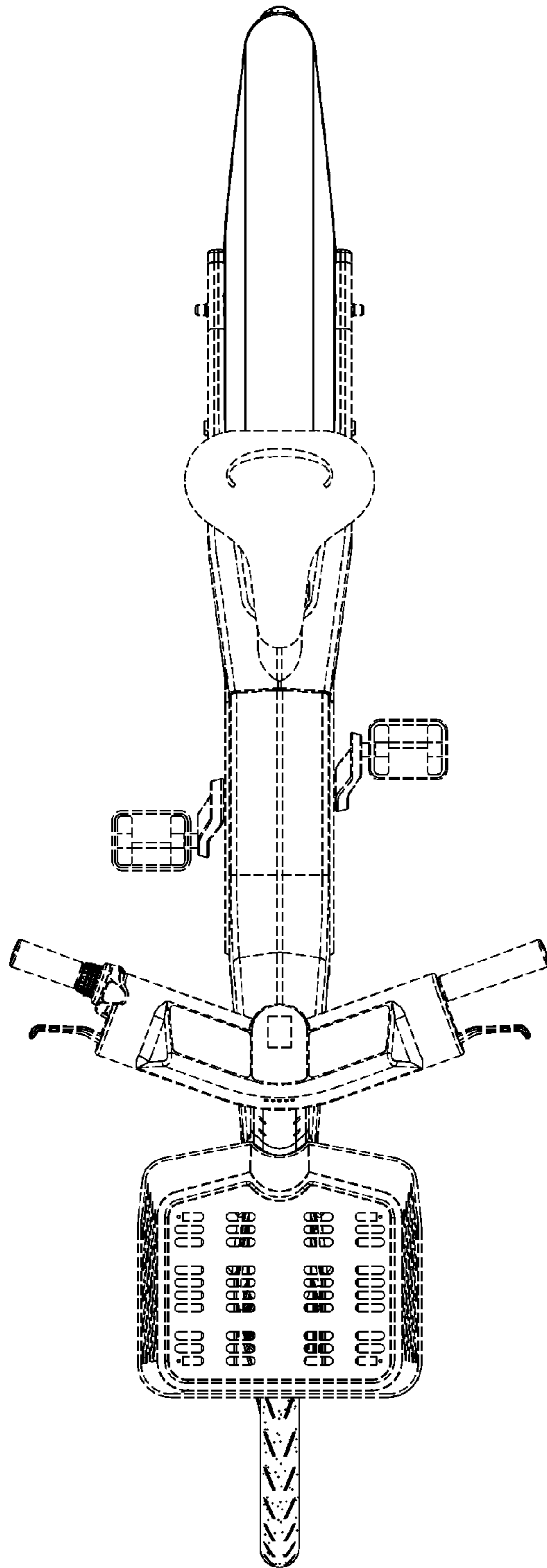


Fig-3

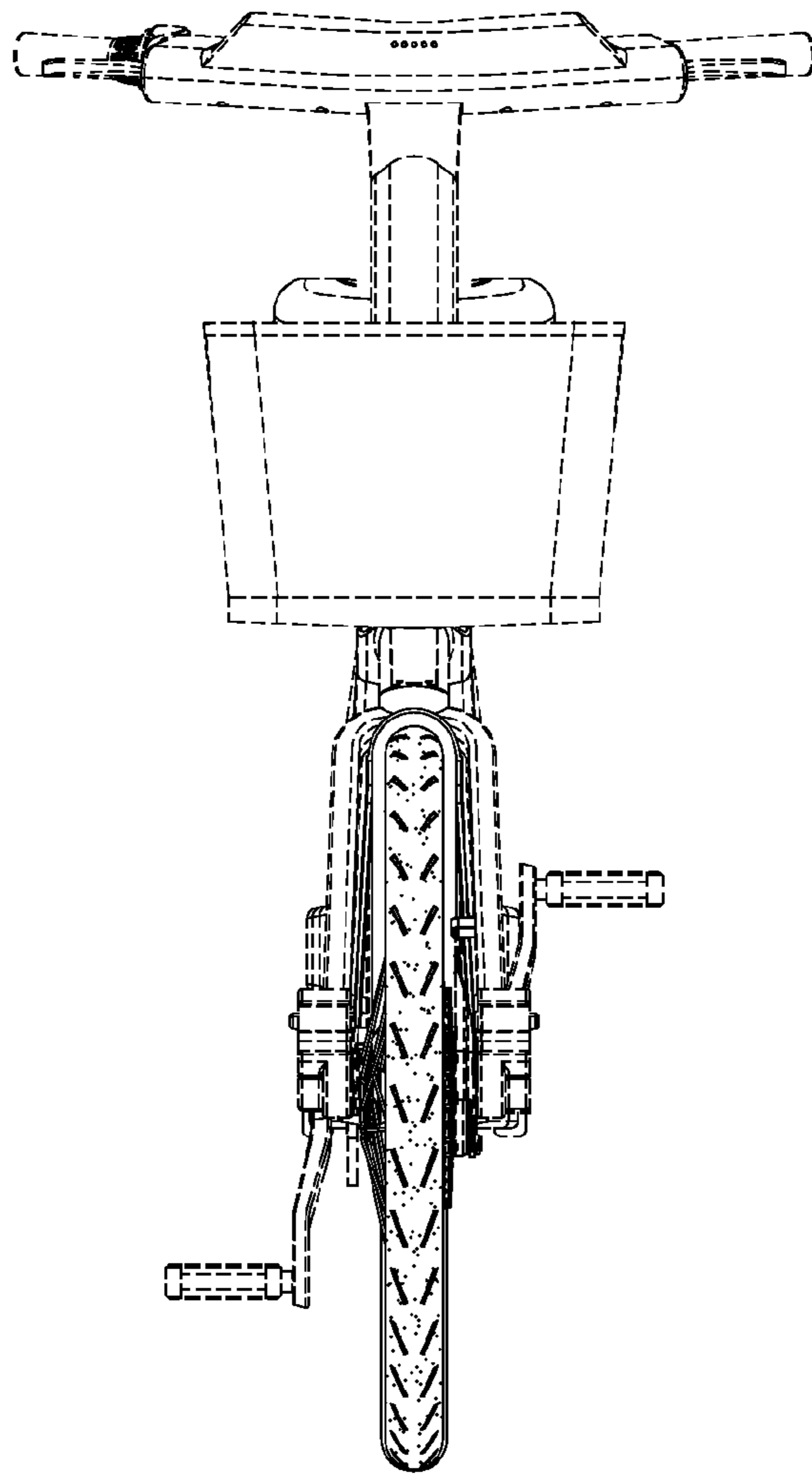


Fig-4

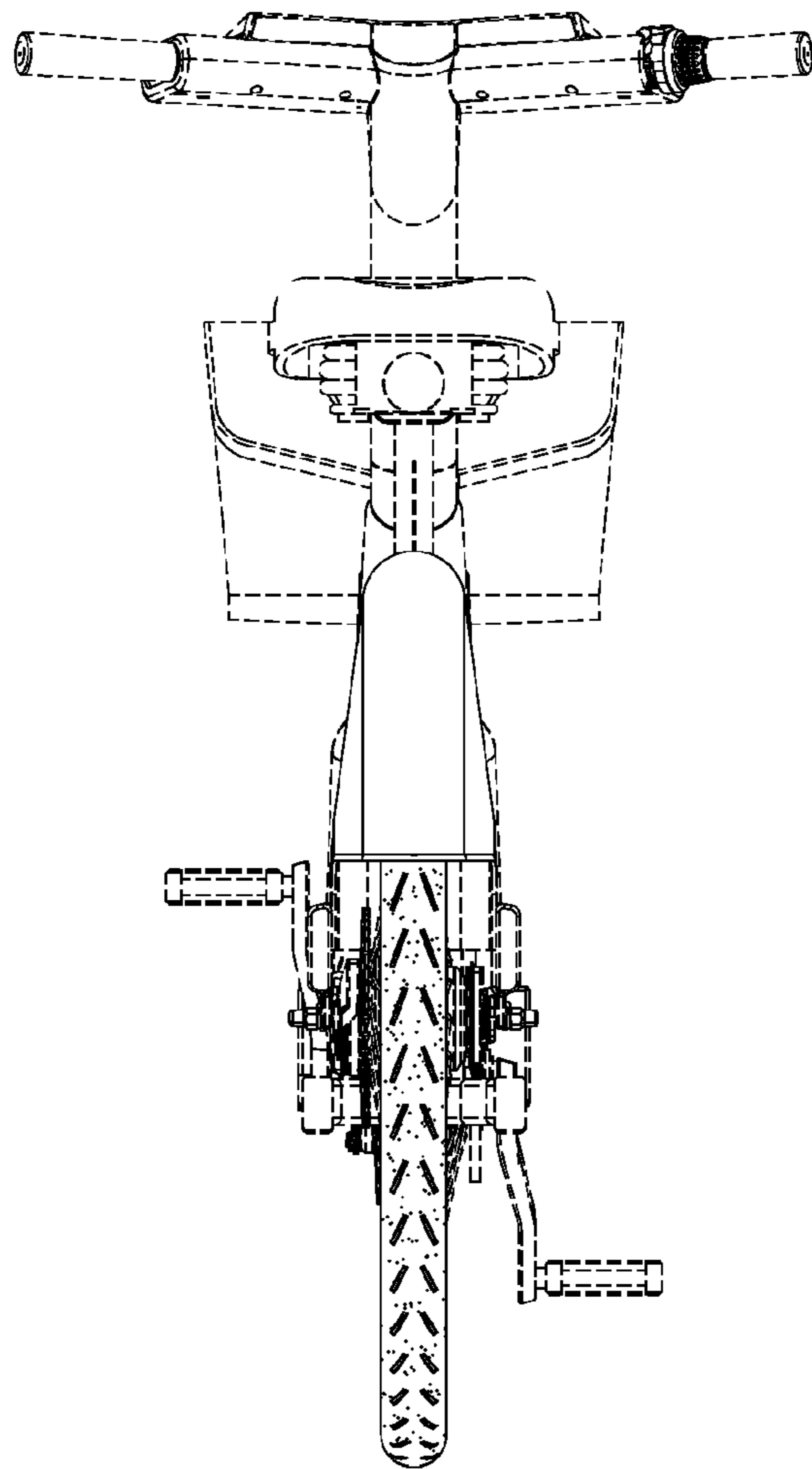


Fig. 5

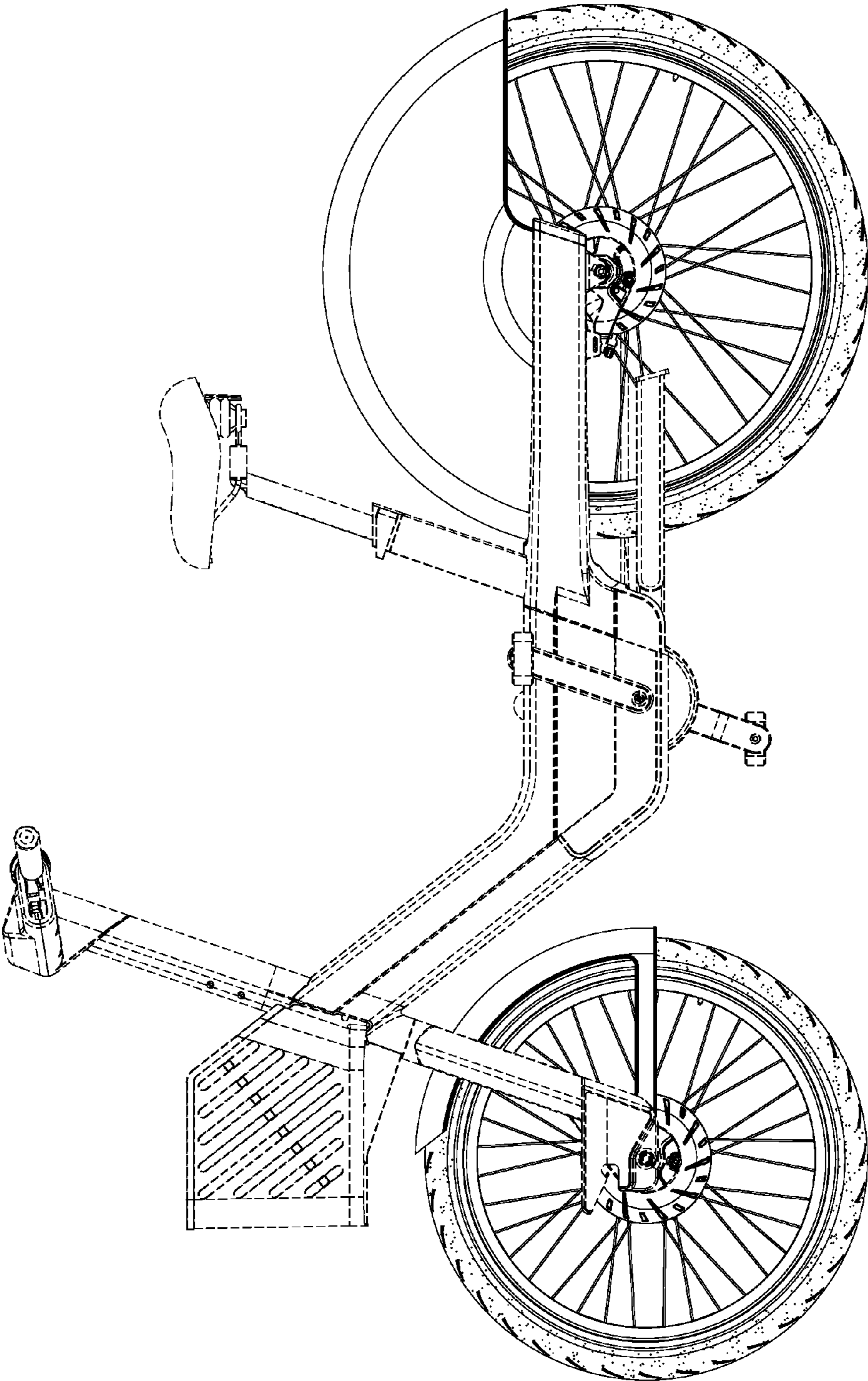


FIG. 6

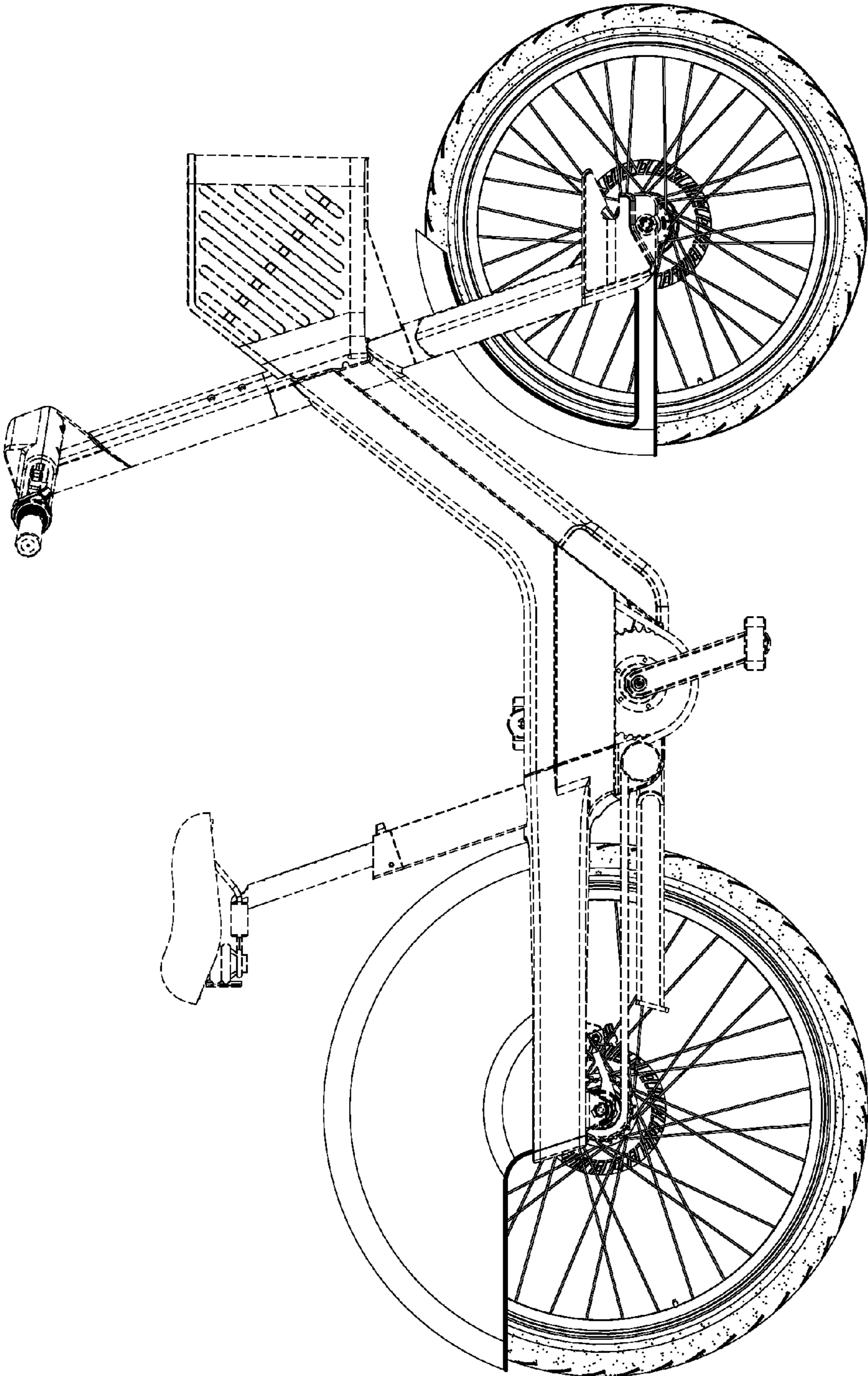


FIG-7