



US00D730780S

(12) **United States Design Patent**  
**Arbour et al.**

(10) **Patent No.:** **US D730,780 S**  
(45) **Date of Patent:** **\*\* Jun. 2, 2015**

(54) **BICYCLE**

FOREIGN PATENT DOCUMENTS

(71) Applicant: **TECHNOLOGIES BEWEGEN INC.**,  
St-Georges, Beauce (CA)

CN 203593100 U \* 5/2014 ..... B60K 1/04  
EP 2639144 9/2013

(Continued)

(72) Inventors: **Dominic Arbour**, Montreal (CA);  
**Michel Dallaire**, Montreal (CA); **Colin Cote**, Montreal (CA)

OTHER PUBLICATIONS

(\*\*) Term: **14 Years**

Michelsen, Charis. "2012 Brings New Electric Bicycles From Yamaha." GAS2—Green Cars That Don't Suck., Dec. 18, 2012 [online], [retrieved on Oct. 2, 2014]. Retrieved from the Internet <URL: <http://gas2.org/2011/12/18/2012-brings-new-electric-bicycles-from-yamaha/>>.\*

(Continued)

(21) Appl. No.: **29/499,559**

(22) Filed: **Aug. 15, 2014**

(51) **LOC (10) Cl.** ..... **12-11**

(52) **U.S. Cl.**  
USPC ..... **D12/111**

(58) **Field of Classification Search**  
USPC ..... D12/111, 117; 280/274–280, 281.1, 280/283–288, 288.1–288.4  
CPC ..... B62K 3/00; B62K 3/005; B62K 9/00; B62K 19/00; B62K 19/02; B62K 19/04; B62K 19/06; B62K 19/16  
See application file for complete search history.

*Primary Examiner* — Philip S Hyder

*Assistant Examiner* — Darlington Ly

(74) *Attorney, Agent, or Firm* — Norton Rose Fulbright Canada LLP

(57) **CLAIM**

The ornamental design for a bicycle, as shown and described.

(56) **References Cited**

**DESCRIPTION**

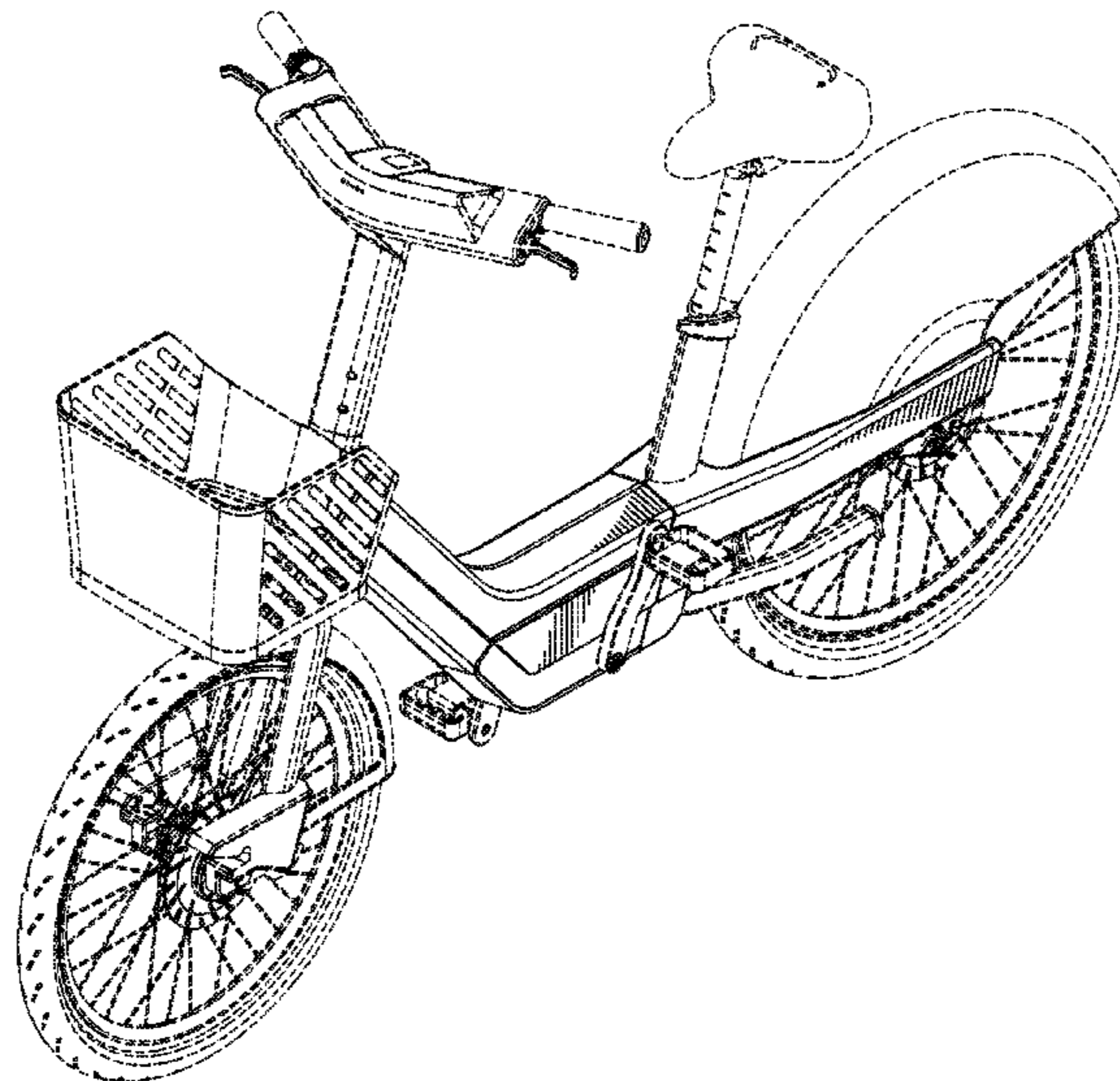
U.S. PATENT DOCUMENTS

4,169,512 A \* 10/1979 Ishikawa et al. .... 180/205.5  
D386,723 S \* 11/1997 Fujieda ..... D12/110  
5,841,351 A 11/1998 Rey  
5,917,407 A 6/1999 Squire et al.  
6,006,850 A 12/1999 Yu  
6,081,205 A 6/2000 Williams et al.  
6,249,744 B1 6/2001 Morita  
6,371,230 B1 4/2002 Ciarla et al.  
6,384,717 B1 5/2002 Devolpi  
D485,512 S \* 1/2004 Liu ..... D12/111  
6,978,162 B2 12/2005 Russell et al.  
7,034,665 B2 4/2006 Kojika  
7,281,399 B2 10/2007 Gagosz

FIG. 1 is a right rear perspective view of a bicycle in accordance with our new design.  
FIG. 2 is a left front perspective view of the design of FIG. 1.  
FIG. 3 is a top plan view of the design of FIG. 1.  
FIG. 4 is a front elevational view of the design of FIG. 1.  
FIG. 5 is a rear elevational view of the design of FIG. 1.  
FIG. 6 is a left side elevational view of the design of FIG. 1; and,  
FIG. 7 is a right side elevational view of the design of FIG. 1.  
The broken lines shown in the drawings illustrate portions of the bicycle that forms no part of the claimed design.

(Continued)

**1 Claim, 7 Drawing Sheets**



(56)

References Cited

U.S. PATENT DOCUMENTS

7,468,667 B2 12/2008 Moffett  
 7,471,191 B2 12/2008 Le Gars et al.  
 D587,630 S \* 3/2009 Yang ..... D12/111  
 D593,006 S 5/2009 Dallaire  
 D594,787 S 6/2009 Dallaire  
 D595,618 S 7/2009 Dallaire  
 D595,646 S 7/2009 McConnell  
 D597,896 S 8/2009 Dallaire  
 D600,201 S 9/2009 Dallaire  
 7,631,885 B2 12/2009 Safarik et al.  
 D614,084 S \* 4/2010 Tanaka et al. .... D12/111  
 7,726,160 B2 6/2010 Gagosz et al.  
 7,729,822 B2 6/2010 Le Gars et al.  
 D620,400 S \* 7/2010 Haller et al. .... D12/111  
 D620,401 S \* 7/2010 Haller et al. .... D12/111  
 D621,302 S \* 8/2010 Tanaka et al. .... D12/111  
 D625,228 S \* 10/2010 Lockart ..... D12/111  
 D626,037 S \* 10/2010 Thetard ..... D12/111  
 D626,493 S 11/2010 Dallaire et al.  
 7,869,576 B1 1/2011 Rodkey et al.  
 D632,617 S 2/2011 Kritzer et al.  
 D634,249 S 3/2011 Dallaire  
 7,898,439 B2 3/2011 Bettez et al.  
 7,920,054 B2 4/2011 Chen et al.  
 7,946,432 B1 5/2011 Swanson et al.  
 7,976,048 B2 7/2011 Bartolome et al.  
 8,013,569 B2 9/2011 Hartman  
 8,061,499 B2 11/2011 Khairallah  
 D651,539 S \* 1/2012 Thetard ..... D12/111  
 8,119,968 B2 2/2012 Bigolin  
 8,121,785 B2 2/2012 Swisher et al.  
 8,272,491 B2 9/2012 Khairallah  
 D668,216 S 10/2012 Dallaire  
 8,280,619 B2 10/2012 Watkins  
 8,319,091 B2 11/2012 Lyden  
 D673,902 S 1/2013 Dallaire  
 8,364,388 B2 1/2013 Naito  
 8,364,389 B2 1/2013 Dorogusker et al.  
 8,375,655 B1 2/2013 Welschholz  
 8,432,270 B2 4/2013 Lee et al.  
 8,437,873 B2 5/2013 North  
 8,438,946 B2 5/2013 Giroux  
 8,448,971 B2 5/2013 Giroux  
 8,504,236 B2 8/2013 Guo et al.  
 8,508,333 B2 8/2013 Kanof  
 8,517,162 B2 8/2013 Khairallah  
 8,536,993 B2 9/2013 Ayotte et al.  
 8,538,688 B2 9/2013 Prehofer  
 8,577,528 B2 11/2013 Uyeki et al.  
 8,630,791 B2 1/2014 Yuasa  
 8,678,205 B2 3/2014 Mercat  
 8,706,404 B2 4/2014 Crane  
 8,710,791 B2 4/2014 Gochenaur  
 8,725,410 B2 5/2014 Ando et al.  
 8,738,212 B1 5/2014 Schieffelin  
 2002/0113491 A1 8/2002 Eglit et al.  
 2002/0174077 A1 11/2002 Yui et al.  
 2003/0034873 A1 2/2003 Chase  
 2004/0203564 A1 10/2004 Ho et al.  
 2007/0239465 A1 10/2007 Le Gars  
 2007/0239478 A1 10/2007 Yui et al.  
 2007/0239627 A1 10/2007 Yui et al.  
 2007/0250444 A1 10/2007 Yui et al.  
 2008/0018440 A1 1/2008 Aulbers et al.

2008/0027794 A1 1/2008 Le Gars et al.  
 2008/0034820 A1 2/2008 Gagosz et al.  
 2008/0042811 A1 2/2008 Le Gars  
 2008/0135321 A1 6/2008 Ripple et al.  
 2008/0174431 A1 7/2008 Rodgers  
 2008/0297108 A1 12/2008 Le Gars  
 2009/0157289 A1 6/2009 Graessley et al.  
 2009/0181826 A1 7/2009 Turner  
 2009/0201127 A1 8/2009 Stobbe et al.  
 2009/0240575 A1 9/2009 Bettez et al.  
 2009/0315737 A1 12/2009 Gilmour  
 2010/0079266 A1 4/2010 Holt  
 2010/0117863 A1 5/2010 Dutt  
 2010/0228405 A1 9/2010 Morgal et al.  
 2010/0313614 A1 12/2010 Rzepecki  
 2011/0015814 A1 1/2011 Starr et al.  
 2011/0037240 A1 2/2011 Krintzae  
 2011/0115193 A1 5/2011 Giroux  
 2011/0121538 A1 5/2011 Giroux  
 2011/0148346 A1 6/2011 Gagosz et al.  
 2011/0161141 A1 6/2011 Bettez et al.  
 2011/0226708 A1 9/2011 Mercat  
 2011/0307394 A1 12/2011 Rzepecki  
 2012/0042725 A1 2/2012 Cote et al.  
 2012/0080252 A1 \* 4/2012 Nishimori ..... 180/65.51  
 2012/0086183 A1 4/2012 Ken  
 2012/0109511 A1 5/2012 Swisher et al.  
 2012/0196631 A1 8/2012 Fajstrup  
 2012/0239248 A1 9/2012 Bobbitt  
 2012/0313568 A1 12/2012 Paluszek et al.  
 2013/0031121 A1 1/2013 Sera et al.  
 2013/0042542 A1 2/2013 Welschholz  
 2013/0049674 A1 2/2013 Davis  
 2013/0063283 A1 3/2013 Kashima  
 2013/0073428 A1 3/2013 Thramann  
 2013/0076294 A1 3/2013 Smith  
 2013/0076295 A1 3/2013 Tsai et al.  
 2013/0080254 A1 3/2013 Thramann et al.  
 2013/0127395 A1 5/2013 Santos  
 2013/0150028 A1 6/2013 Akins et al.  
 2013/0158868 A1 6/2013 Chen et al.  
 2013/0166998 A1 6/2013 Sutherland  
 2013/0173159 A1 7/2013 Trum et al.  
 2013/0193091 A1 8/2013 Kritzer et al.  
 2013/0255336 A1 10/2013 Dallaire  
 2013/0268448 A1 10/2013 Kanof  
 2014/0021908 A1 1/2014 McCool et al.  
 2014/0136281 A1 5/2014 Culver et al.  
 2014/0155100 A1 6/2014 Baldasare et al.  
 2014/0156108 A1 6/2014 Reich  
 2014/0209400 A1 \* 7/2014 Yao et al. .... 180/167

FOREIGN PATENT DOCUMENTS

FR 2764261 12/1998  
 JP 09226382 A \* 9/1997 ..... B60K 1/04  
 KR 2014078321 A \* 6/2014 ..... B60K 1/04

OTHER PUBLICATIONS

Bewegen. "Bewegen System unveiled at the Pro Walk/Pro Bike/Pro Place conference." Bewegen Tech., Sep. 26, 2014 [online], [retrieved on Oct. 2, 2014]. Retrieved from the Internet <URL: <http://bewegentech.com/bewegen-system-unveiled-pro-walkpro-bikepro-place-conference/>>.\*

\* cited by examiner



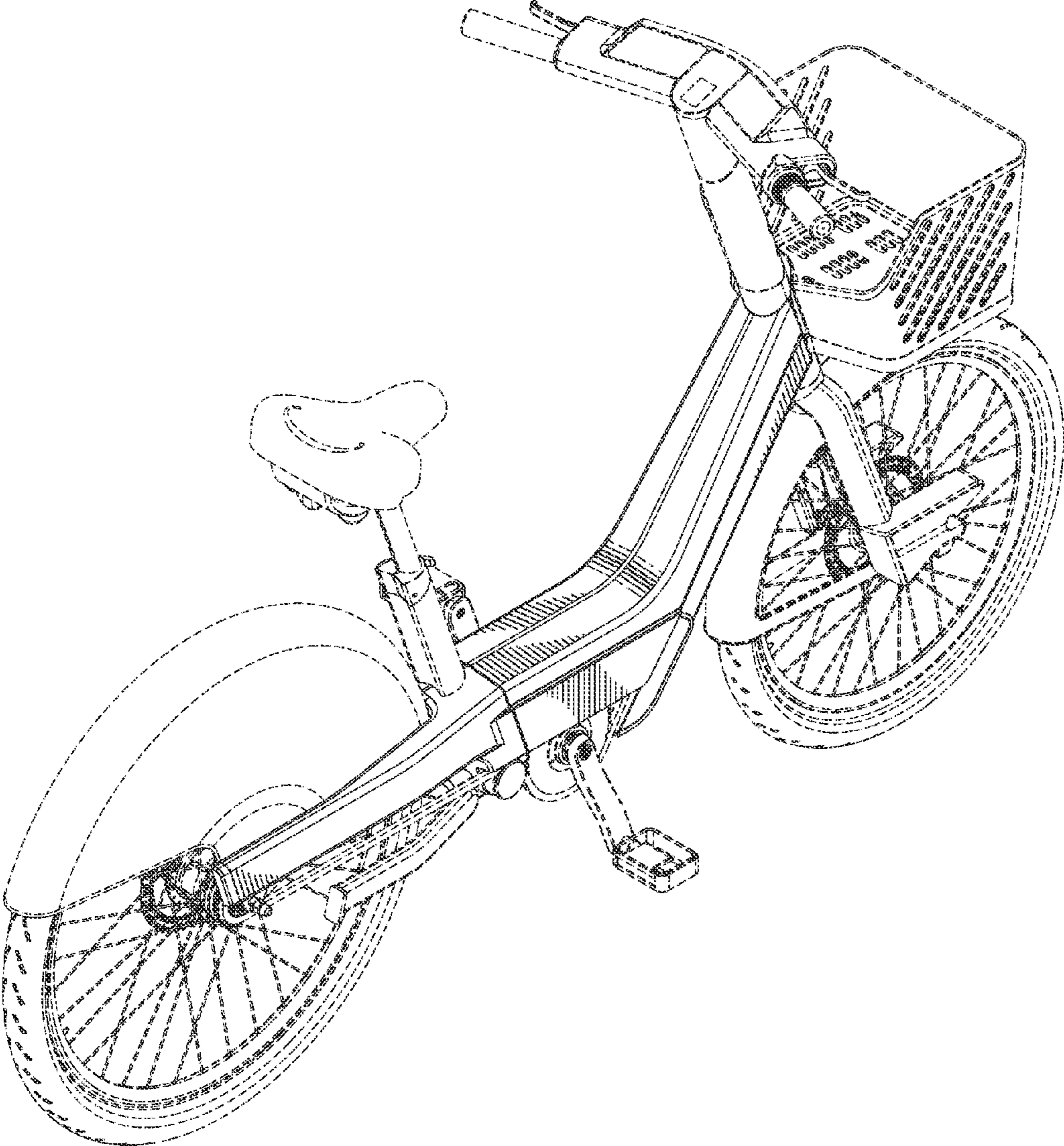


FIG. 1

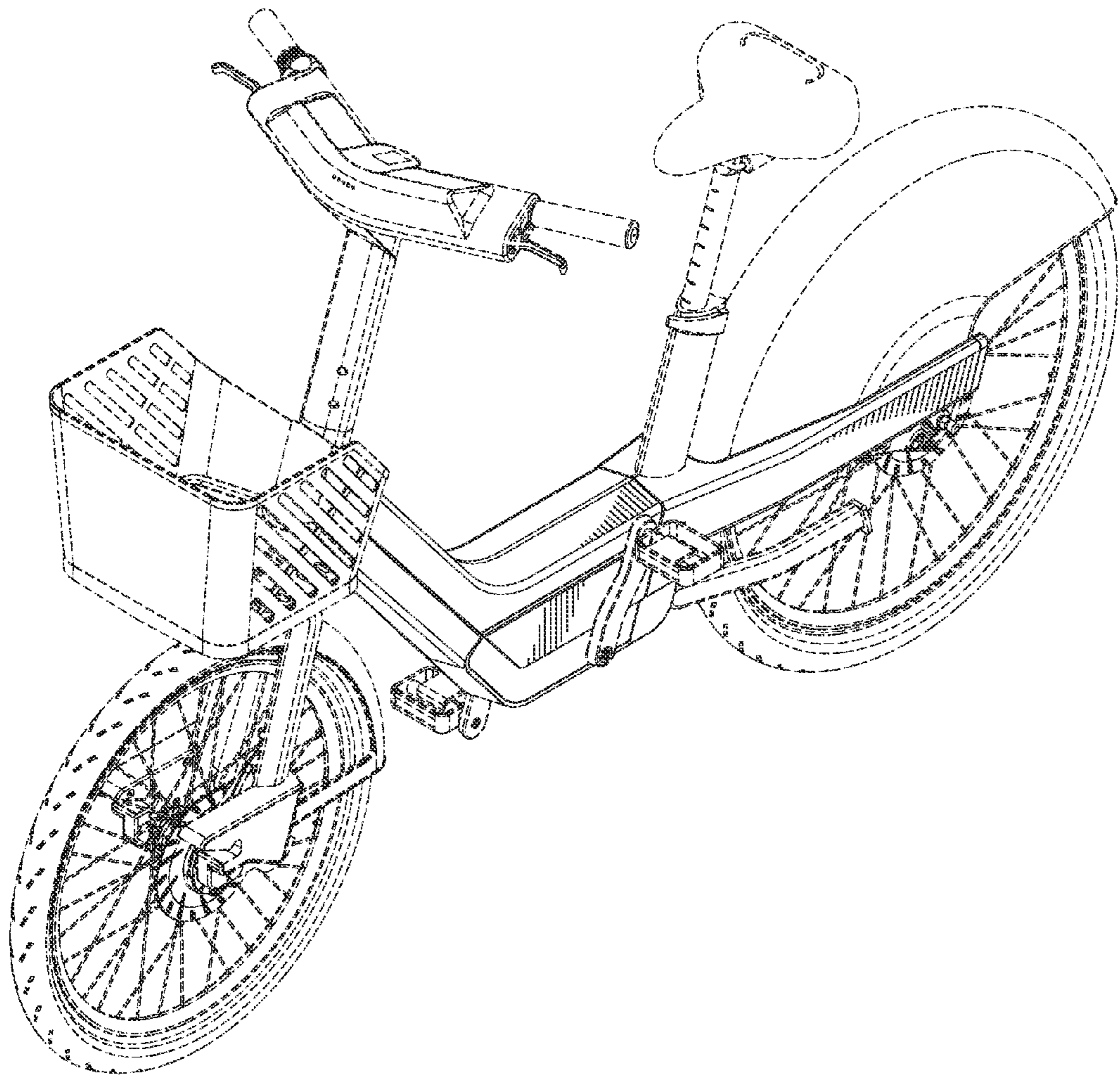


FIG. 2

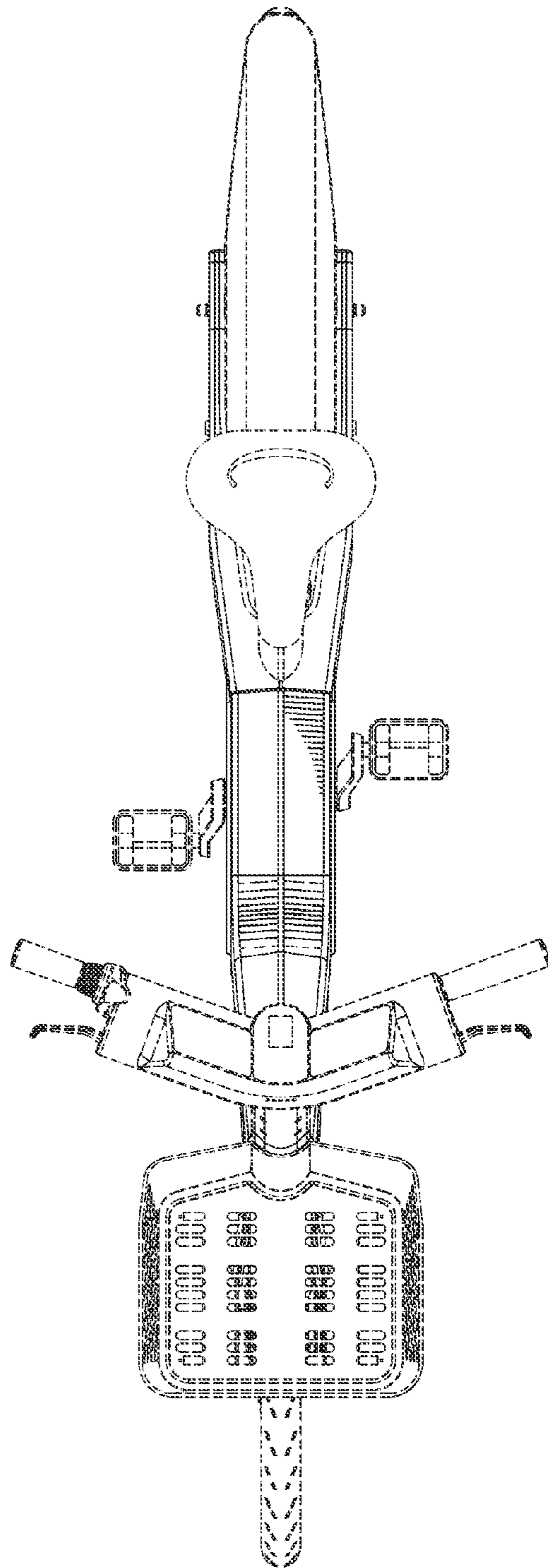


FIG. 3

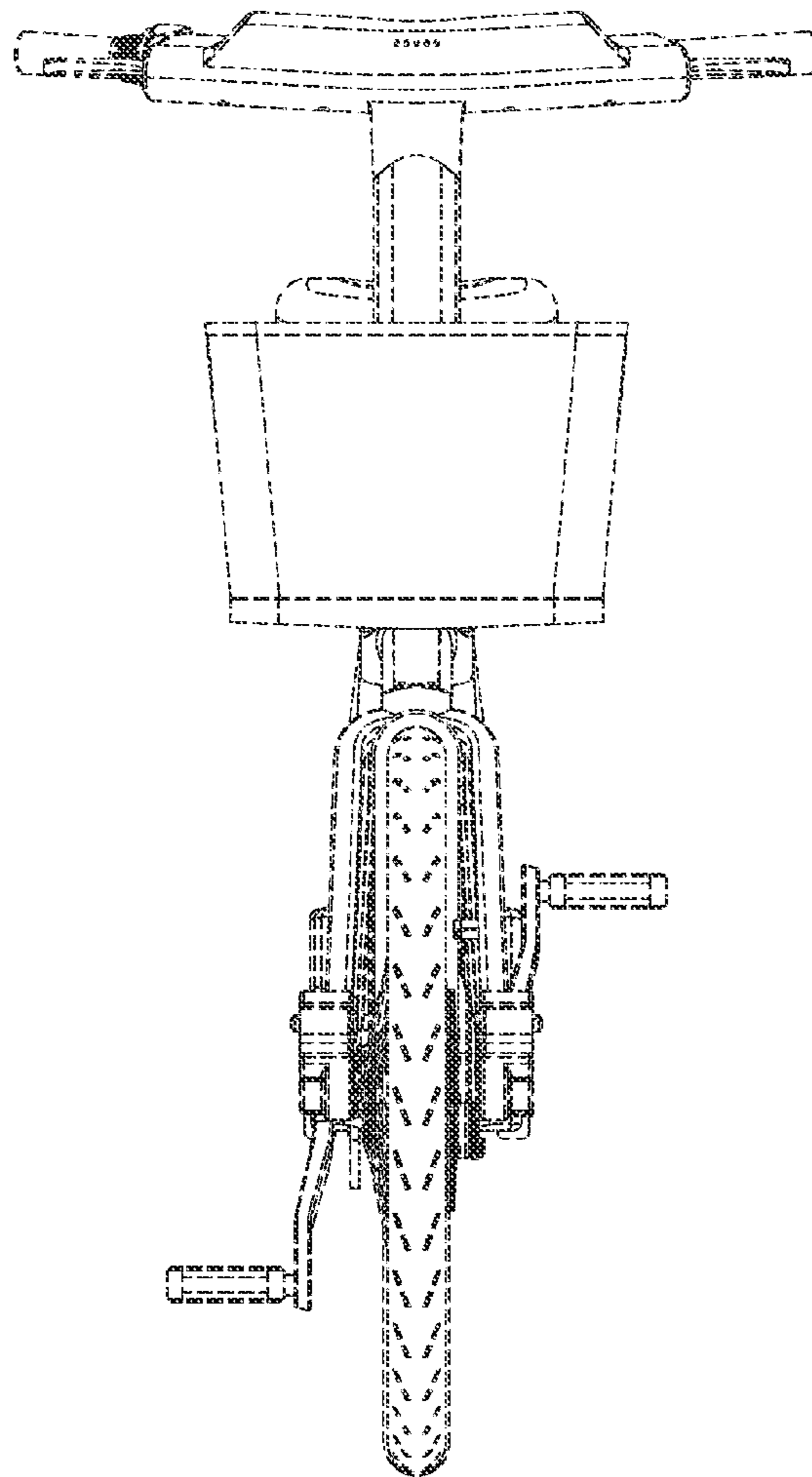


FIG. 4



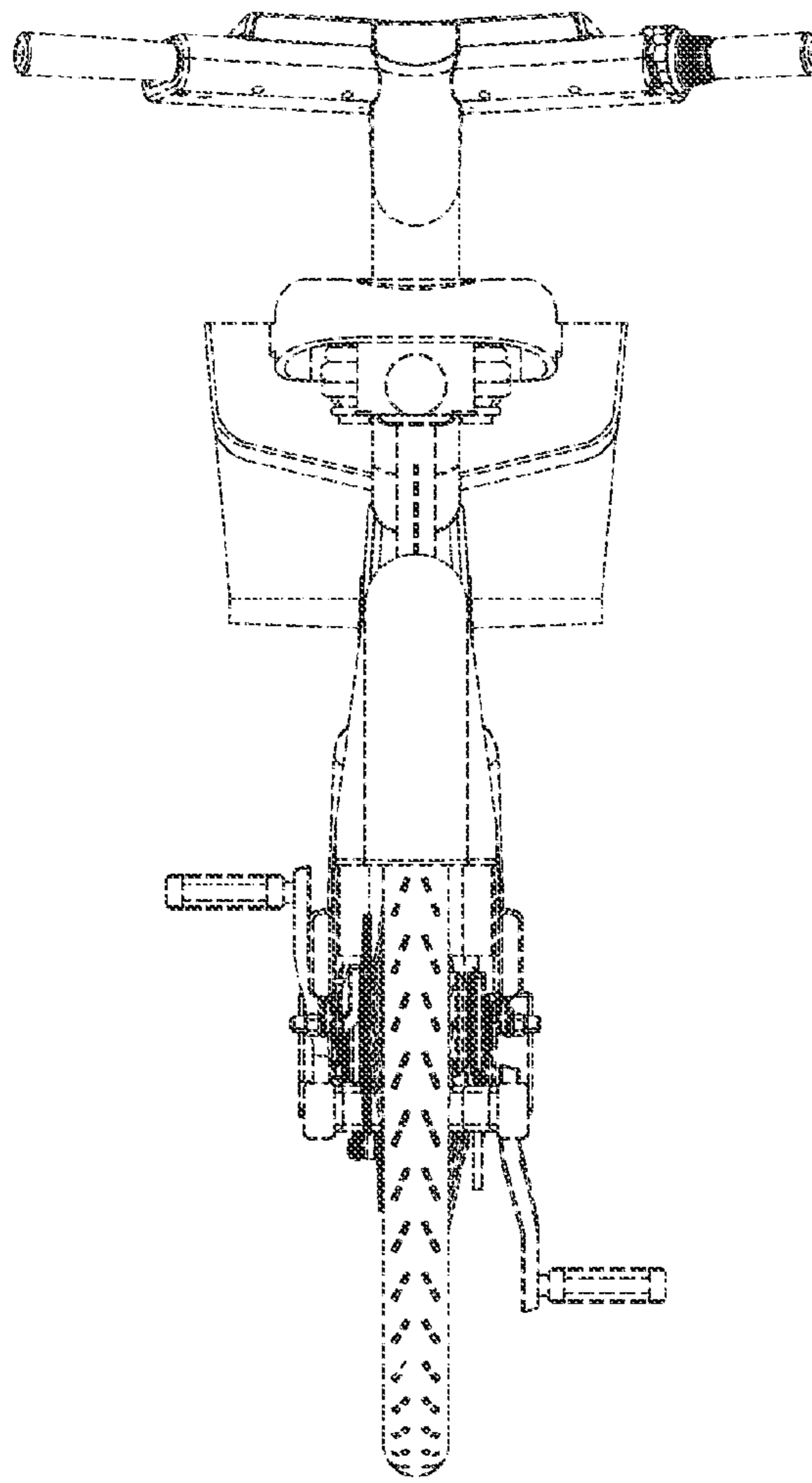


FIG. 5

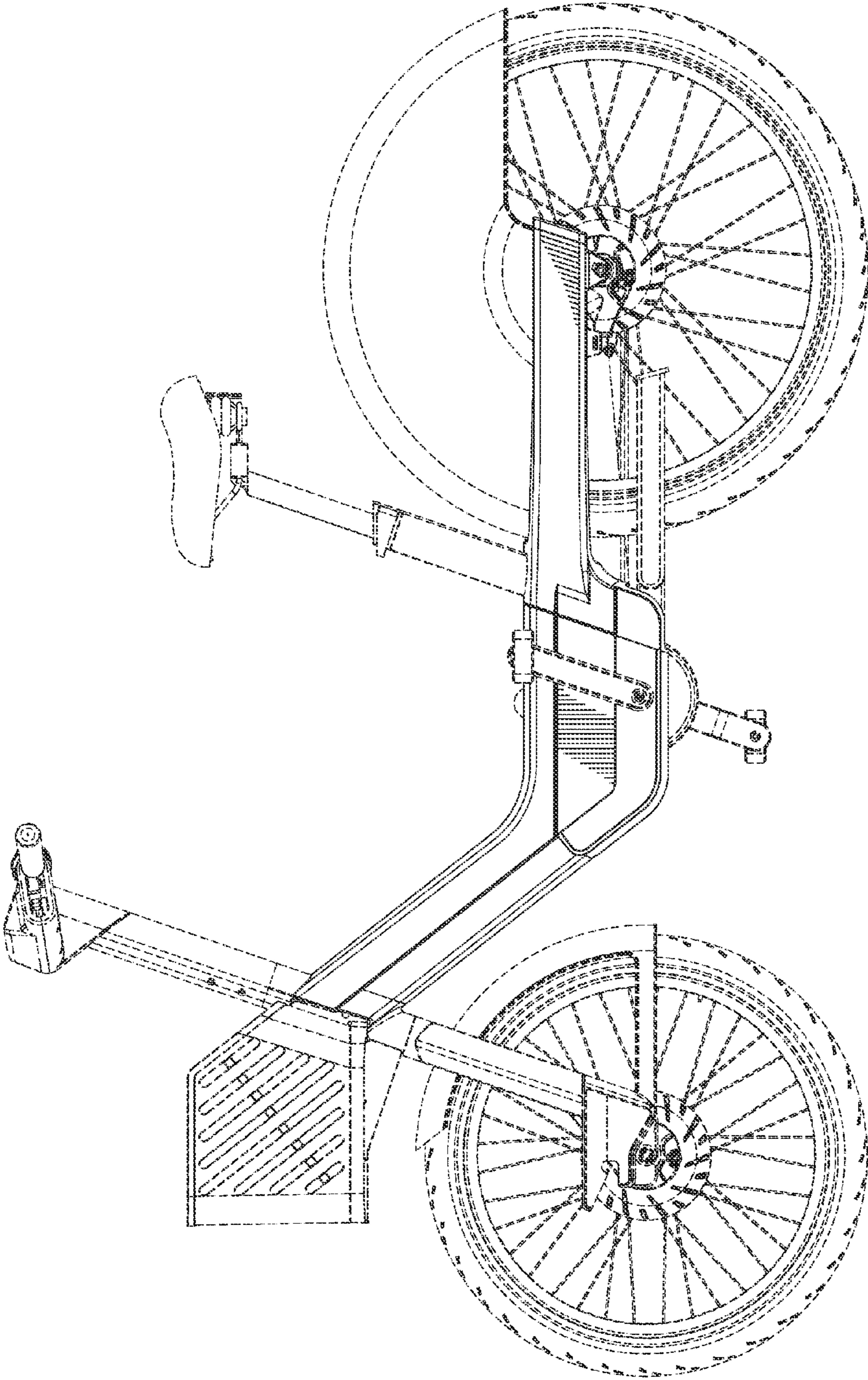


FIG. 8



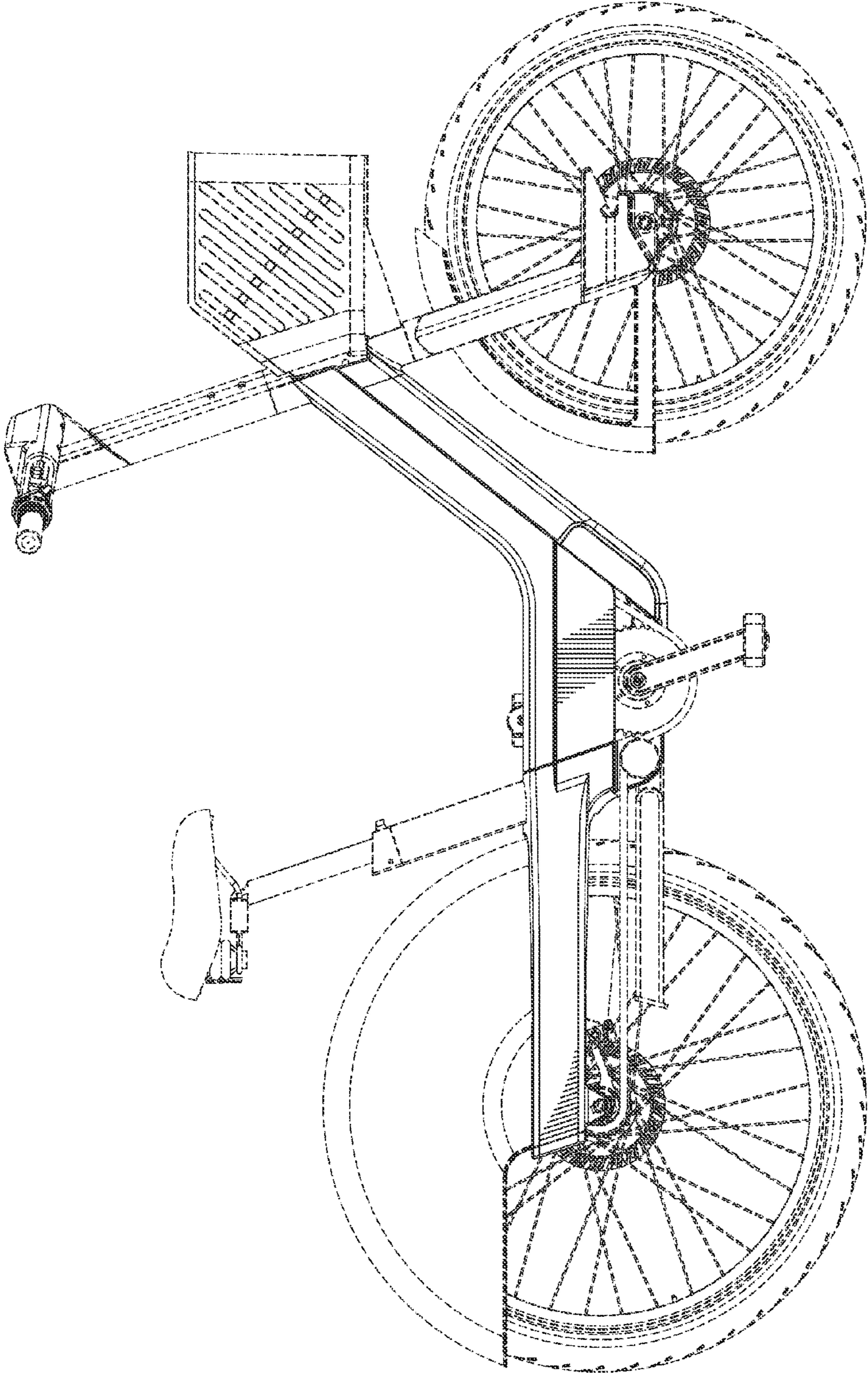


FIG. 7