

US00D730778S

(12) **United States Design Patent**
Harness

(10) **Patent No.:** **US D730,778 S**
(45) **Date of Patent:** **** Jun. 2, 2015**

(54) **BICYCLE**

(56) **References Cited**

(71) Applicant: **James Harness**, Lincolnshire (GB)

U.S. PATENT DOCUMENTS

(72) Inventor: **James Harness**, Lincolnshire (GB)

D273,484	S	*	4/1984	Herbert	D12/111
D473,495	S	*	4/2003	Niitsu et al.	D12/111
D487,234	S	*	3/2004	Chen et al.	D12/111
D497,122	S	*	10/2004	Uenaka	D12/111
D498,438	S	*	11/2004	Ying	D12/111
7,216,410	B2	*	5/2007	Chuang	29/428
D578,440	S	*	10/2008	Giugiaro	D12/111
D594,787	S	*	6/2009	Dallaire	D12/111
D651,539	S	*	1/2012	Thetard	D12/111
D654,403	S	*	2/2012	Kyu	D12/111
D659,597	S	*	5/2012	Chen	D12/111
D689,409	S	*	9/2013	Yap	D12/111
2006/0163837	A1	*	7/2006	Sutherland	280/284
2007/0069499	A1	*	3/2007	Lin	280/287
2012/0060639	A1	*	3/2012	Huang	74/527
2012/0169029	A1	*	7/2012	Marais et al.	280/287
2013/0087988	A1	*	4/2013	Wang et al.	280/287
2013/0087989	A1	*	4/2013	Beistegui Chirapozu	280/287
				et al.	280/287
2014/0076651	A1	*	3/2014	Kim et al.	180/220

(73) Assignee: **JAM VEHICLES LIMITED**, London
(GB)

(**) Term: **14 Years**

(21) Appl. No.: **29/451,434**

(22) Filed: **Apr. 2, 2013**

(30) **Foreign Application Priority Data**

Oct. 2, 2012 (EP) 1346456-0001
Oct. 2, 2012 (EP) 1346456-0002

(51) **LOC (10) Cl.** **12-11**

(52) **U.S. Cl.**
USPC **D12/111**

(58) **Field of Classification Search**
USPC D12/111, 108, 124, 109, 113, 112;
D21/432, 419, 663, 435; 280/283, 276,
280/240, 281.1, 284, 256, 286, 265, 268,
280/271, 288, 257, 279, 288.2, 274, 282,
280/288.4, 210, 287; 74/594.3, 527; 16/44;
156/294; 180/68.5, 220; 29/428;
224/419
CPC B62K 25/286; B62K 25/08; B62K 19/16;
B62K 25/30; B62K 15/006

See application file for complete search history.

* cited by examiner

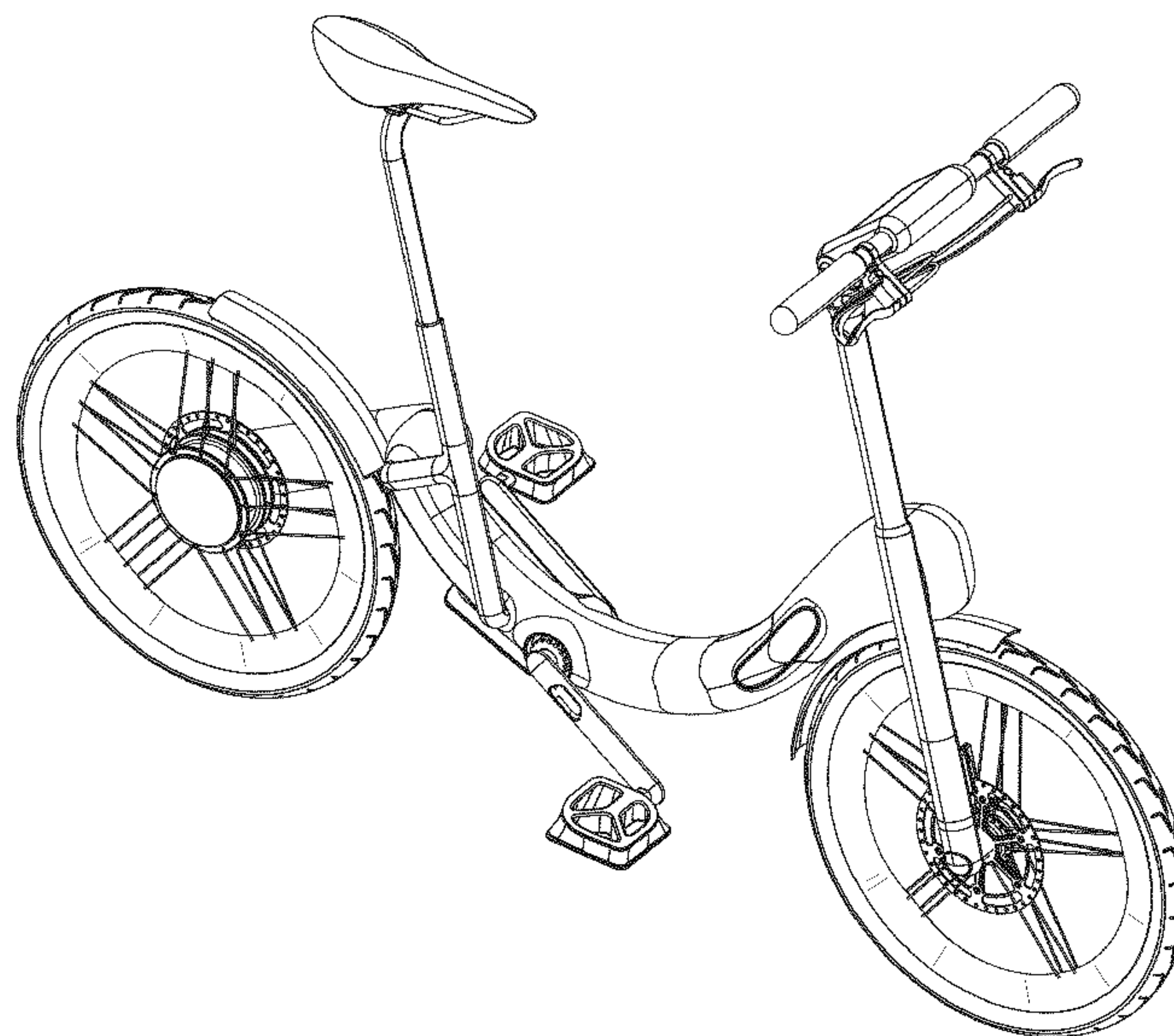
Primary Examiner — Robert M. Spear
Assistant Examiner — Ryan Harvey
(74) *Attorney, Agent, or Firm* — Cooper Legal Group, LLC

(57) **CLAIM**
The ornamental design for a bicycle, as shown.

DESCRIPTION

FIG. 1 is a front view of a bicycle, showing the new design.
FIG. 2 is a rear view of thereof.
FIG. 3 is a top view thereof.
FIG. 4 is a bottom view thereof.
FIG. 5 is a right view thereof.
FIG. 6 is a left view thereof.
FIG. 7 is a top front left perspective view thereof; and,
FIG. 8 is a bottom front left perspective view thereof.

1 Claim, 8 Drawing Sheets



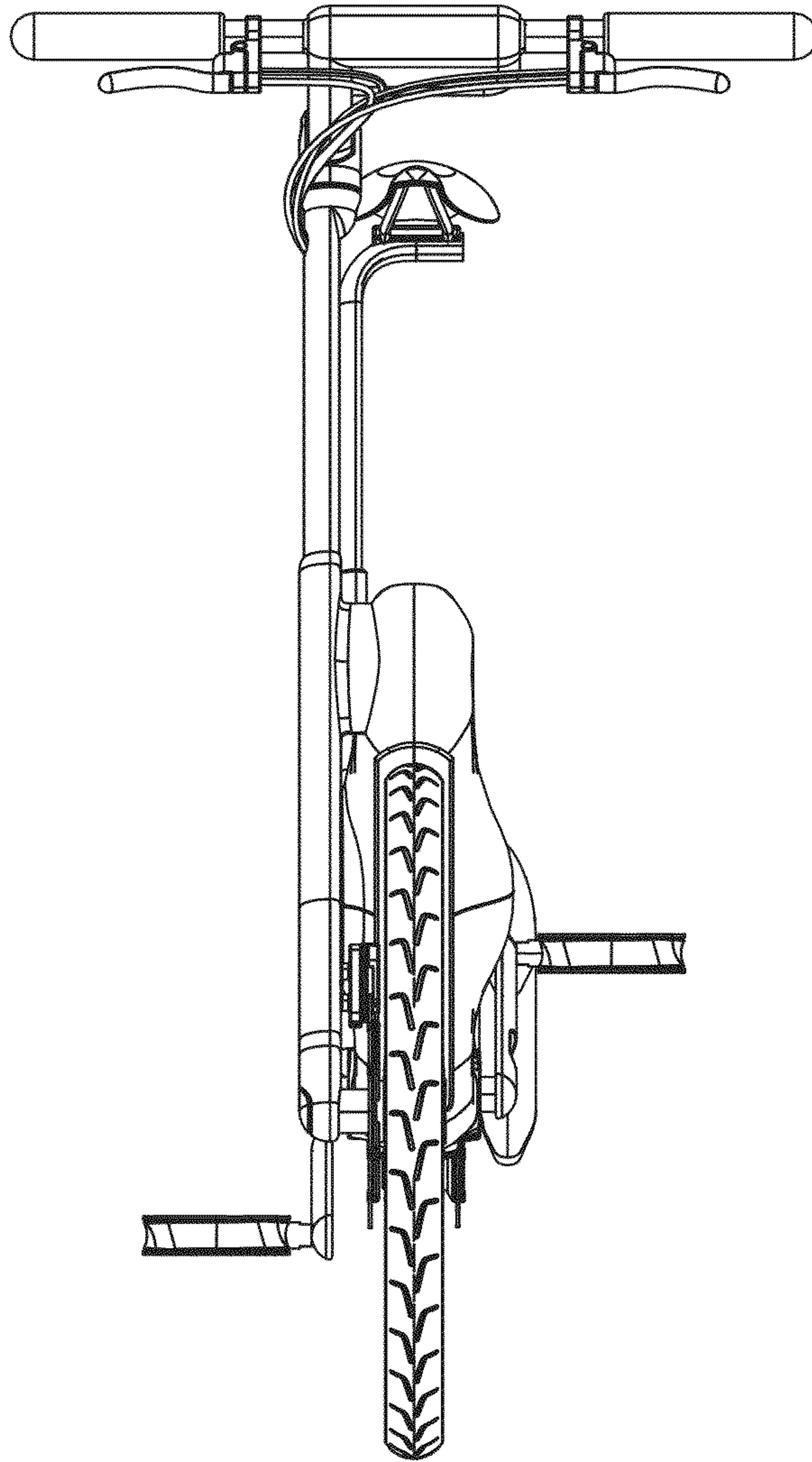


FIG. 1

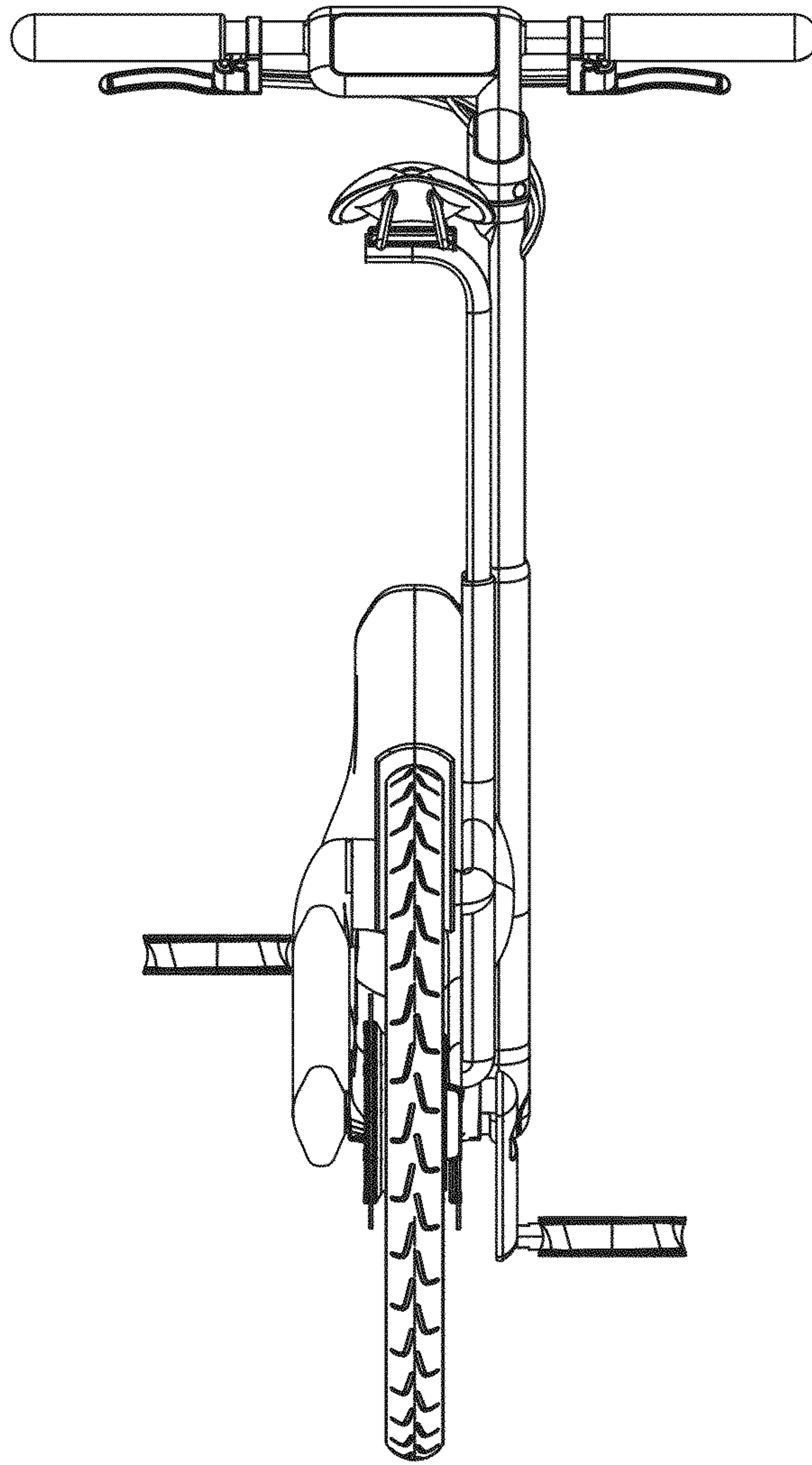


FIG. 2

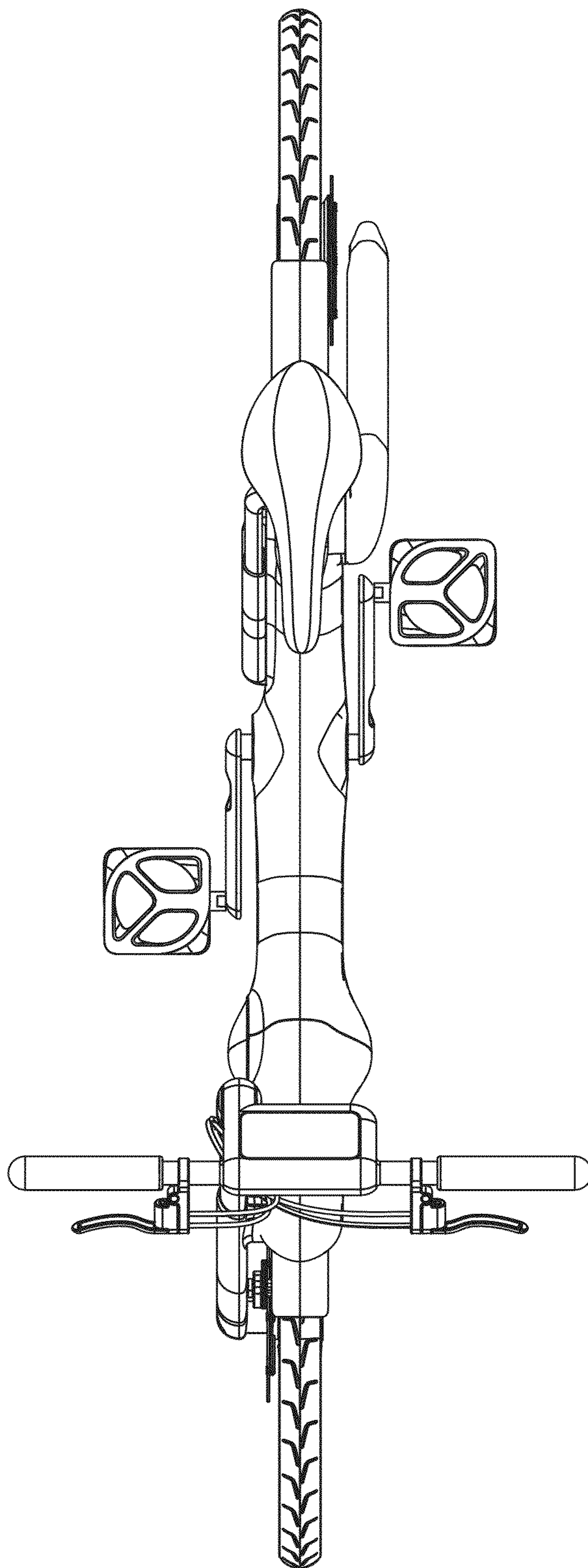


FIG. 3

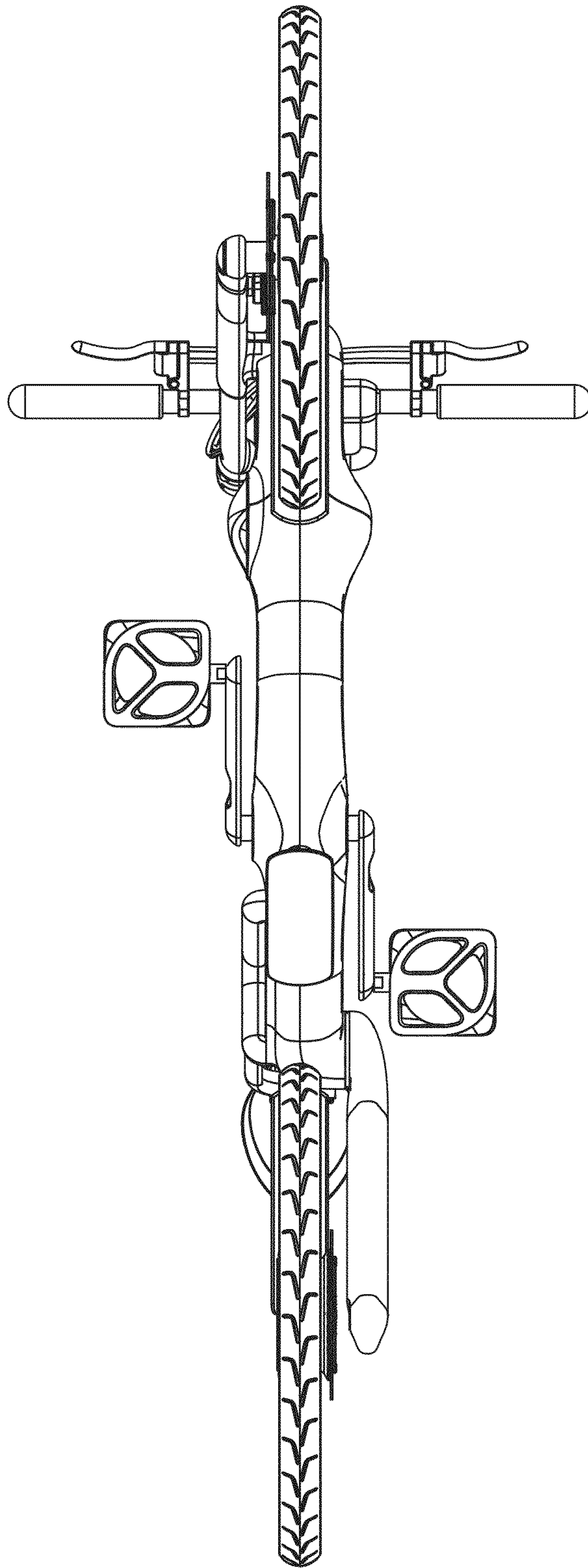


FIG. 4

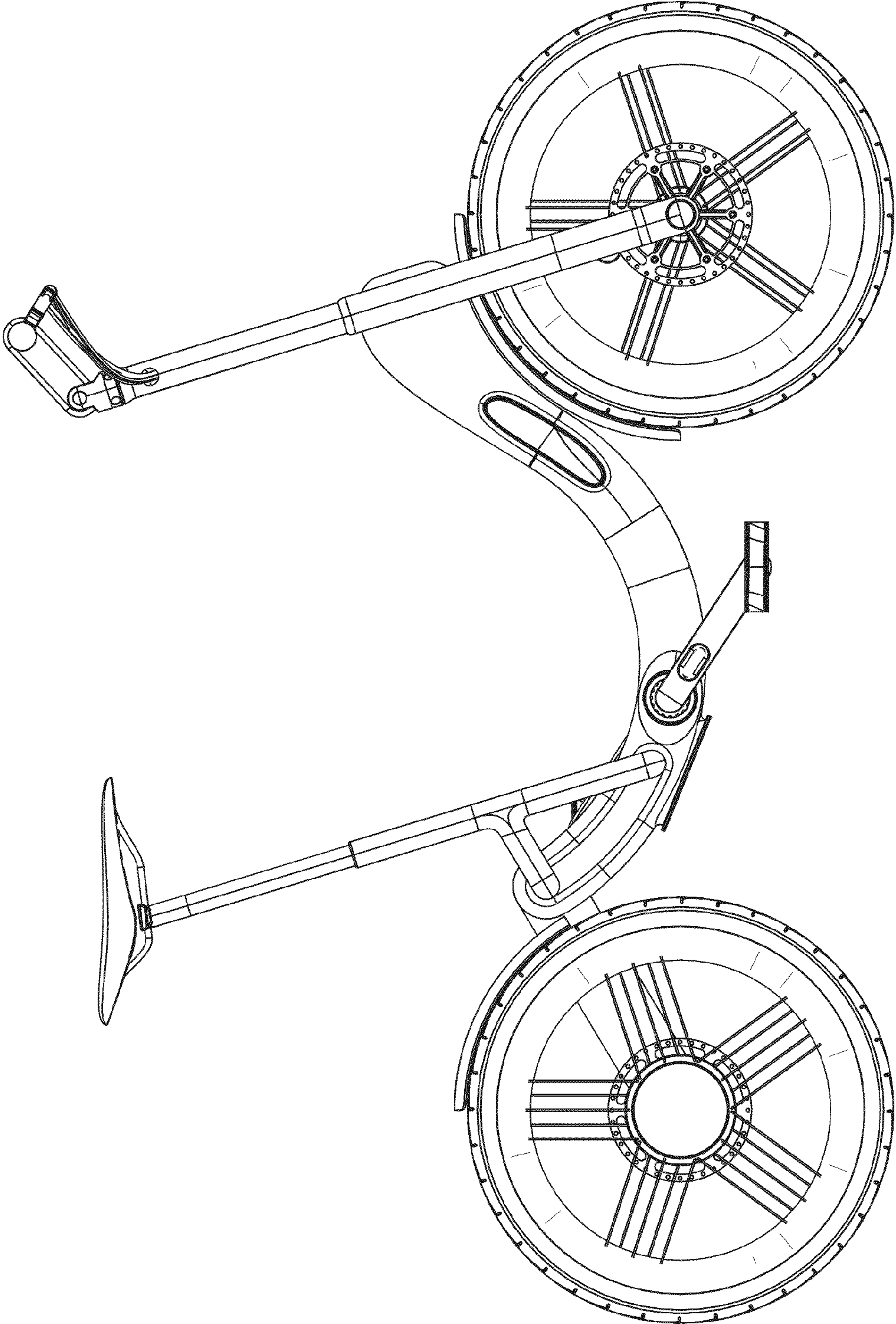


FIG. 5

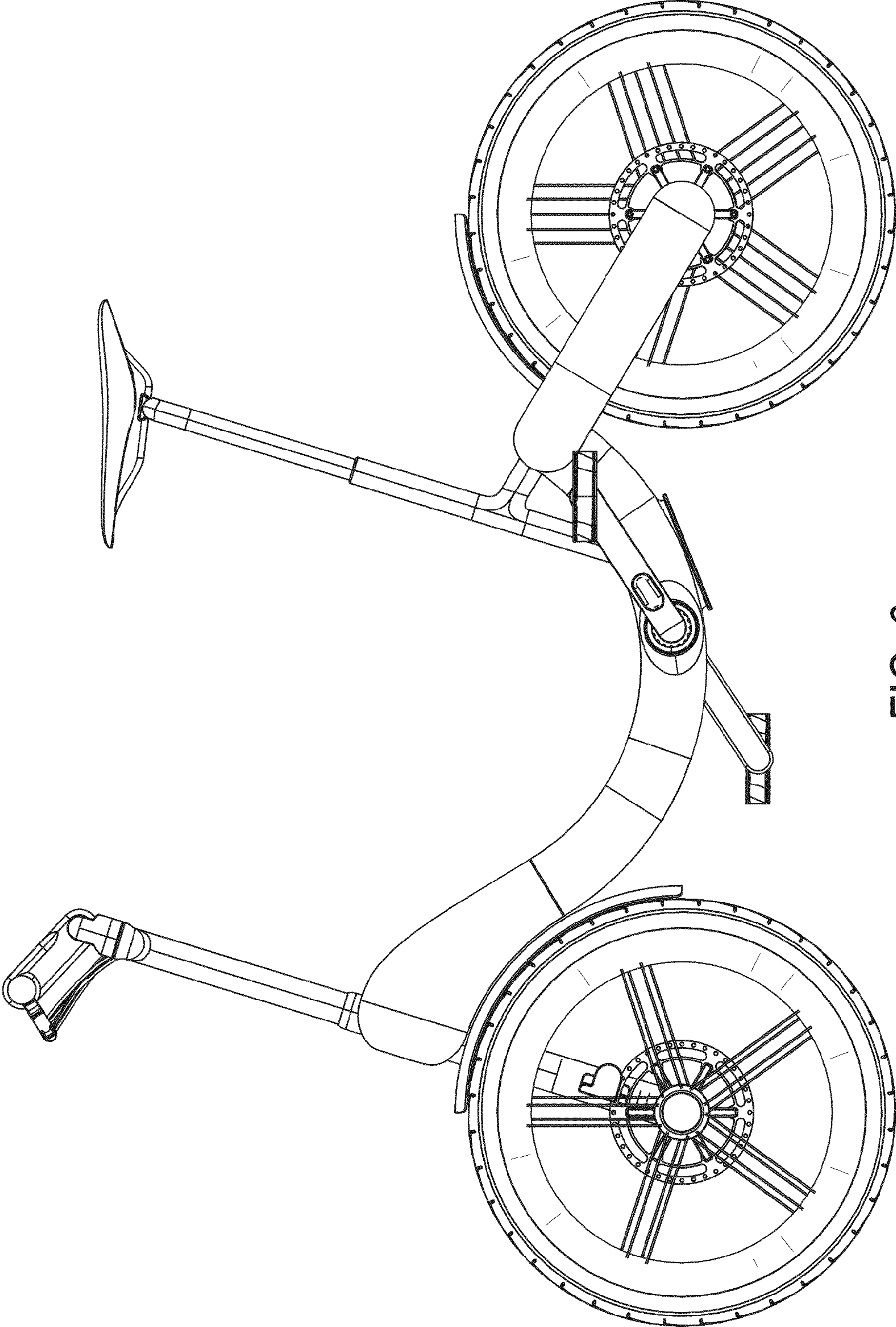


FIG. 6

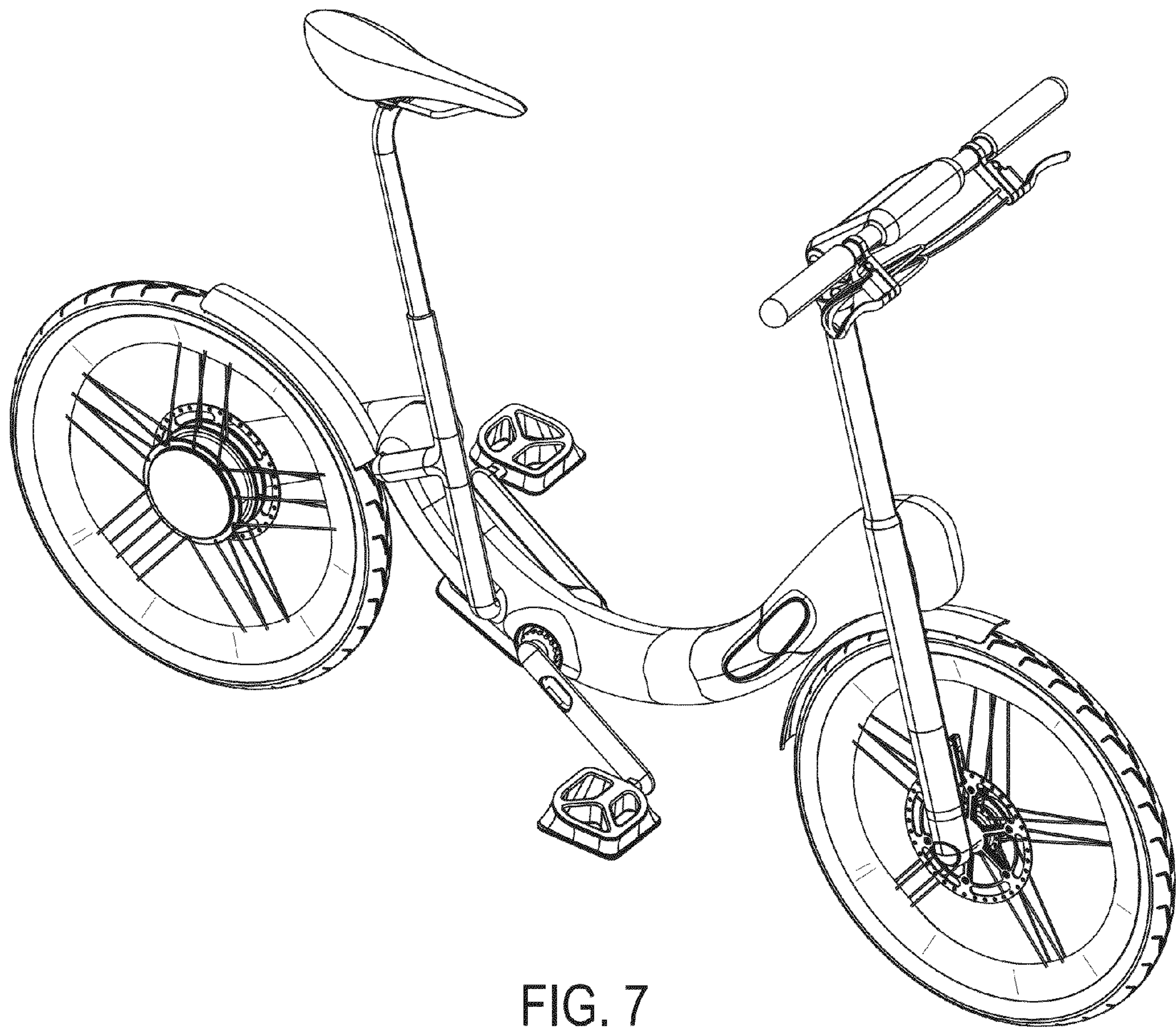


FIG. 7

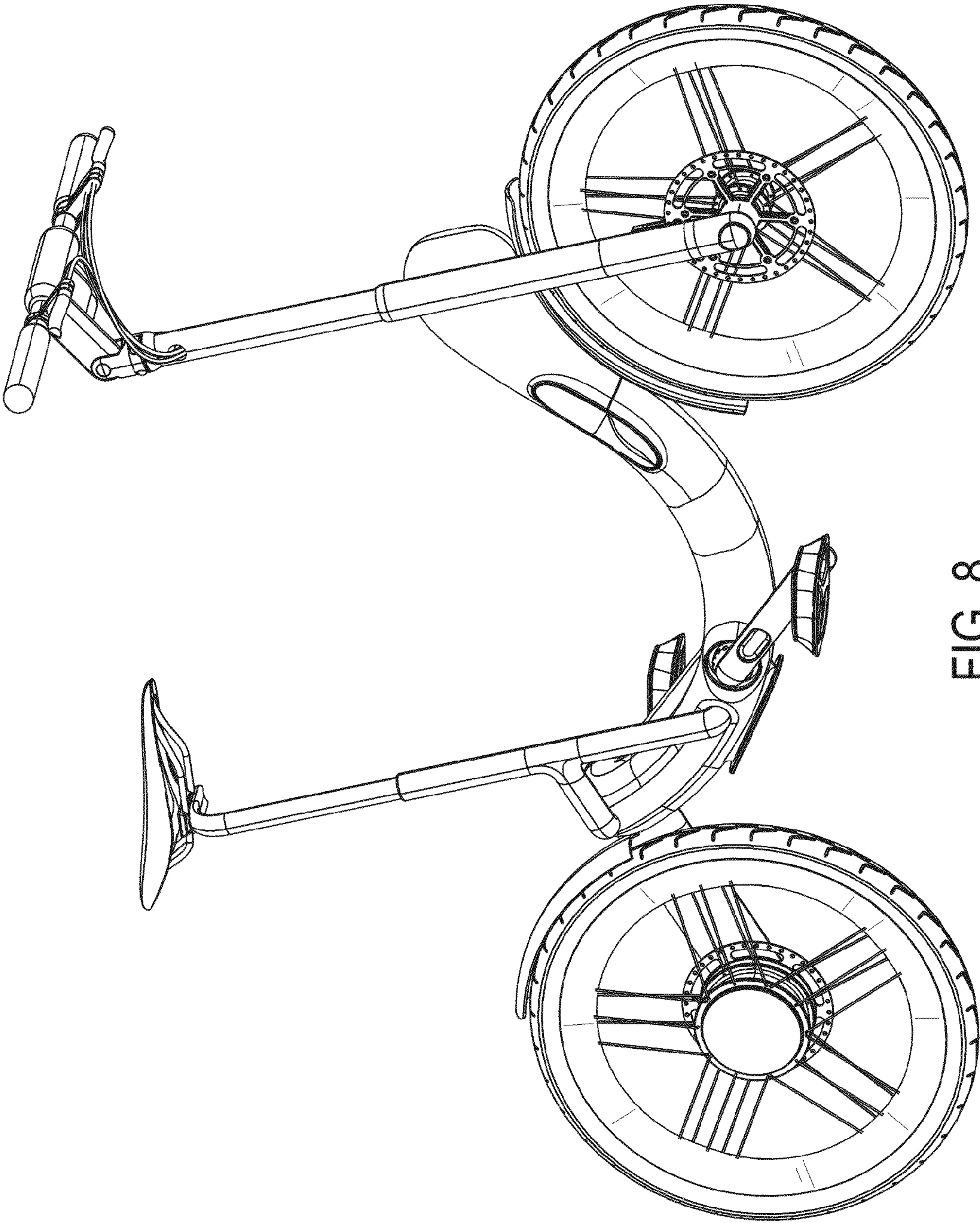


FIG. 8