



US00D730773S

(12) **United States Design Patent**
Pena

(10) **Patent No.:** **US D730,773 S**
(45) **Date of Patent:** **** Jun. 2, 2015**

(54) **PAINTBALL TANK**

(71) Applicant: **Daniel Pena**, Houston, TX (US)

(72) Inventor: **Daniel Pena**, Houston, TX (US)

(**) Term: **14 Years**

(21) Appl. No.: **29/452,901**

(22) Filed: **Apr. 23, 2013**

(51) **LOC (10) Cl.** **12-13**

(52) **U.S. Cl.**
USPC **D12/12; D12/1**

(58) **Field of Classification Search**

USPC D12/1, 12, 14; 89/36.08, 36.09, 36.07;
D21/420, 419, 421, 423, 424, 435, 533,
D21/548, 552, 559, 558, 562, 814, 828, 833
See application file for complete search history.

(56) **References Cited**

U.S. PATENT DOCUMENTS

6,145,573 A * 11/2000 Chen 160/368.1
8,402,878 B2 * 3/2013 Schreiner et al. 89/36.08

8,888,163 B1 * 11/2014 Johnson 296/84.1
2011/0232472 A1 * 9/2011 Kellner et al. 89/36.08
2013/0032026 A1 * 2/2013 Shackelford et al. 89/36.02

* cited by examiner

Primary Examiner — T. Chase Nelson

Assistant Examiner — Ania Aman

(74) *Attorney, Agent, or Firm* — Paul D. Lein, Esq.; Locke Lord LLP

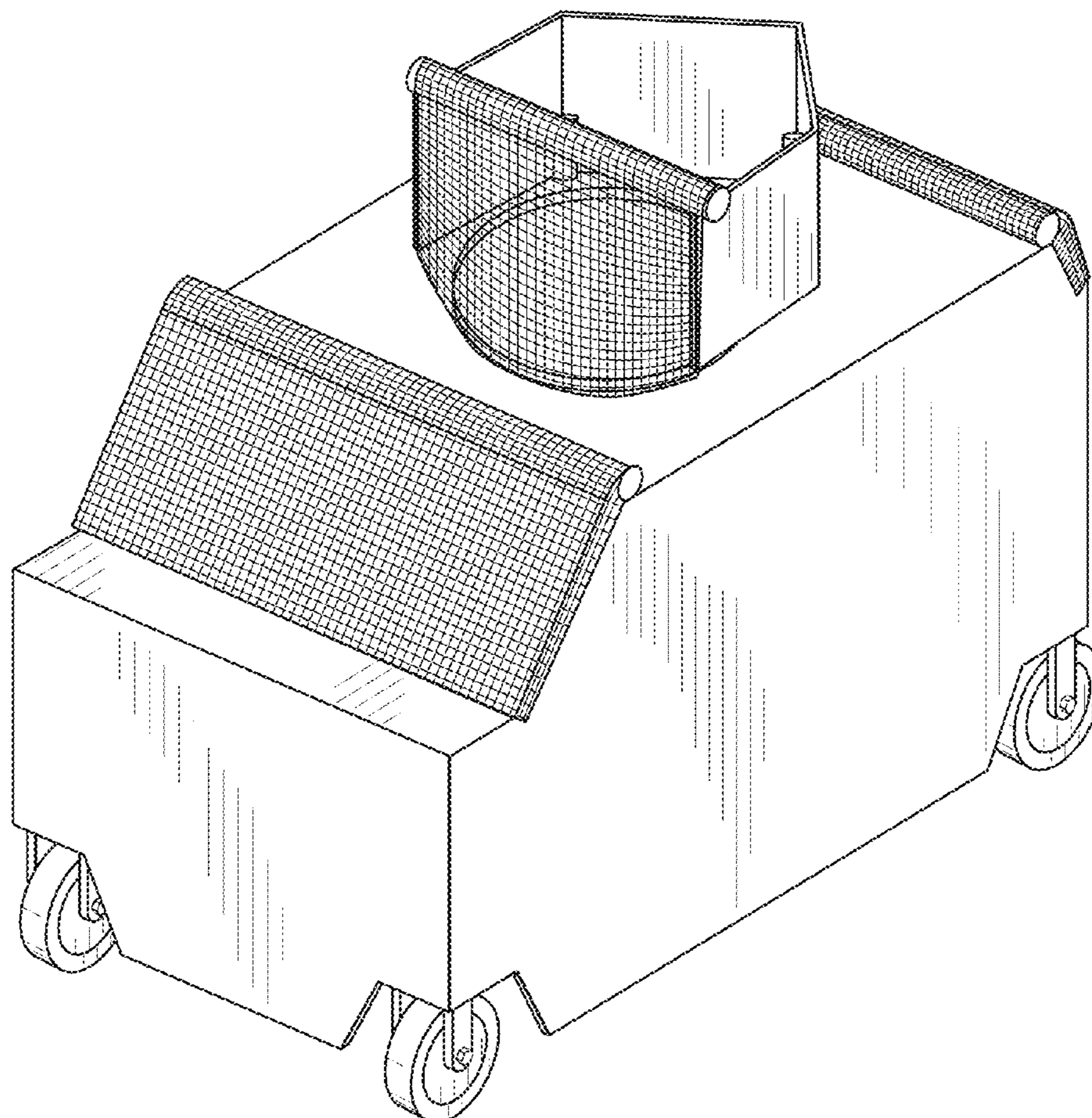
(57) **CLAIM**

The ornamental design for a paintball tank, as shown and described.

DESCRIPTION

FIG. 1 is a perspective view of a paintball tank;
FIG. 2 is a top view thereof;
FIG. 3 is a bottom view thereof;
FIG. 4 front elevation view thereof;
FIG. 5 is a back elevation view thereof;
FIG. 6 is a left side elevation view thereof; and,
FIG. 7 is a right side elevational view thereof.

1 Claim, 4 Drawing Sheets



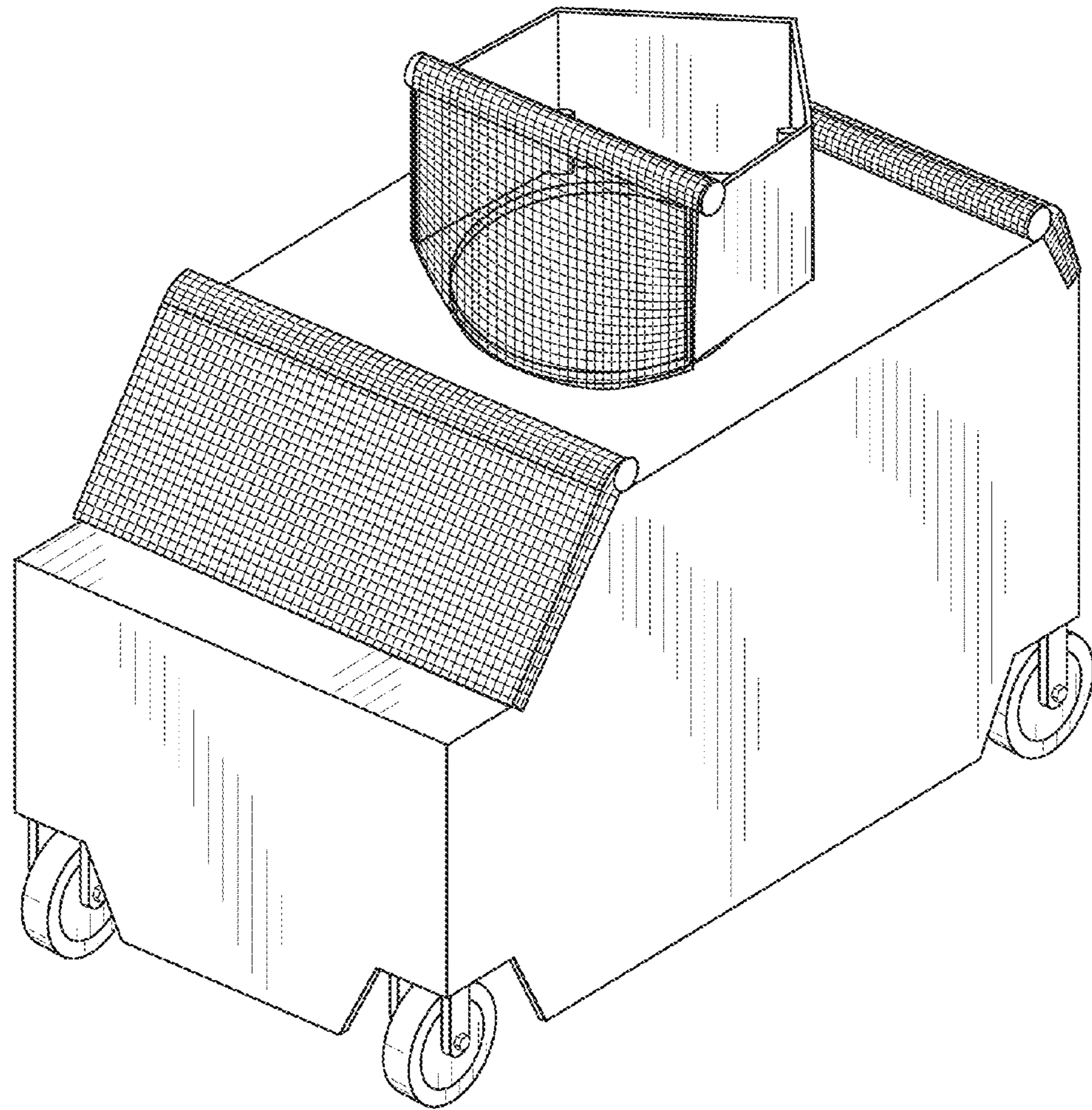


FIG. 1

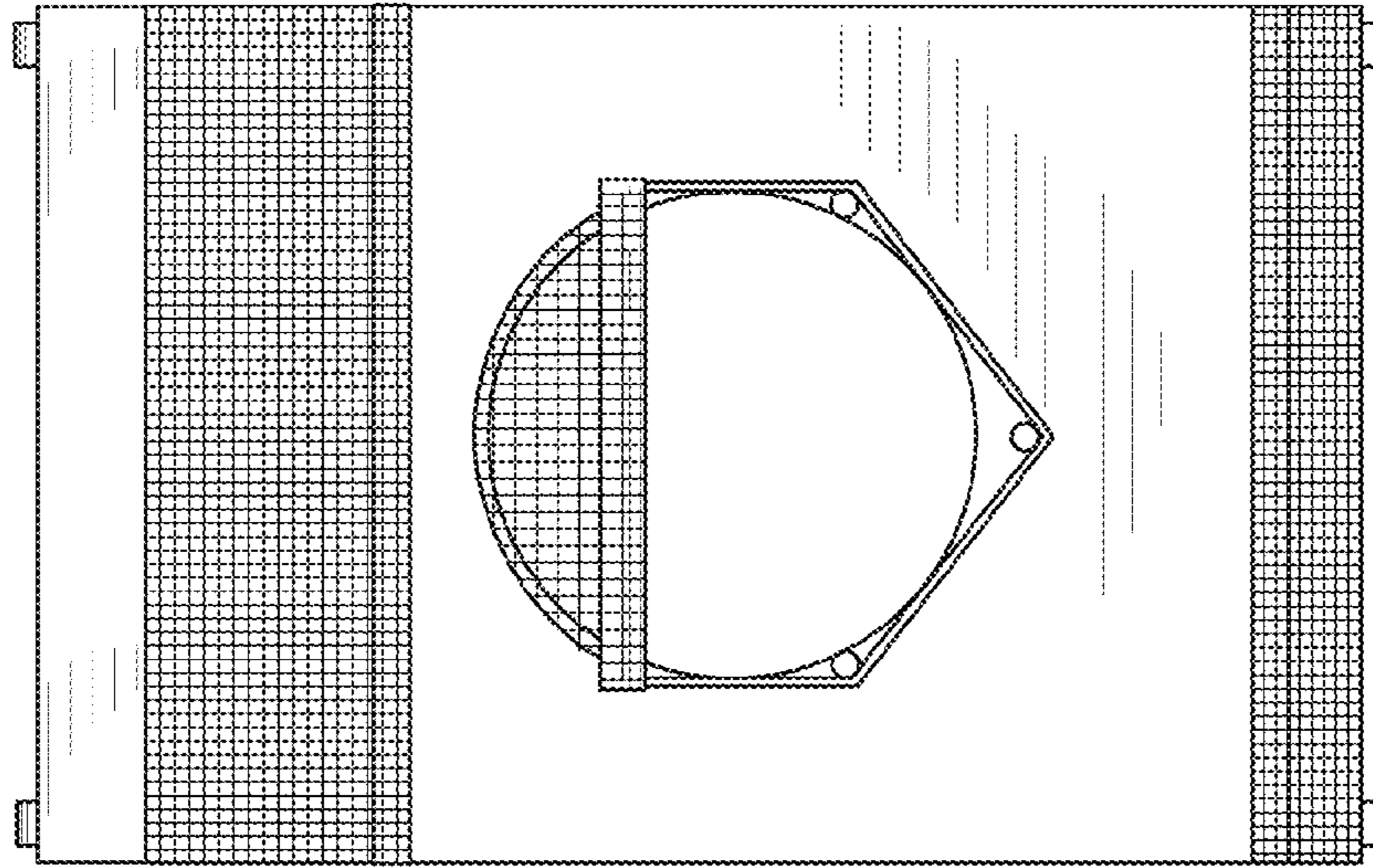


FIG. 2

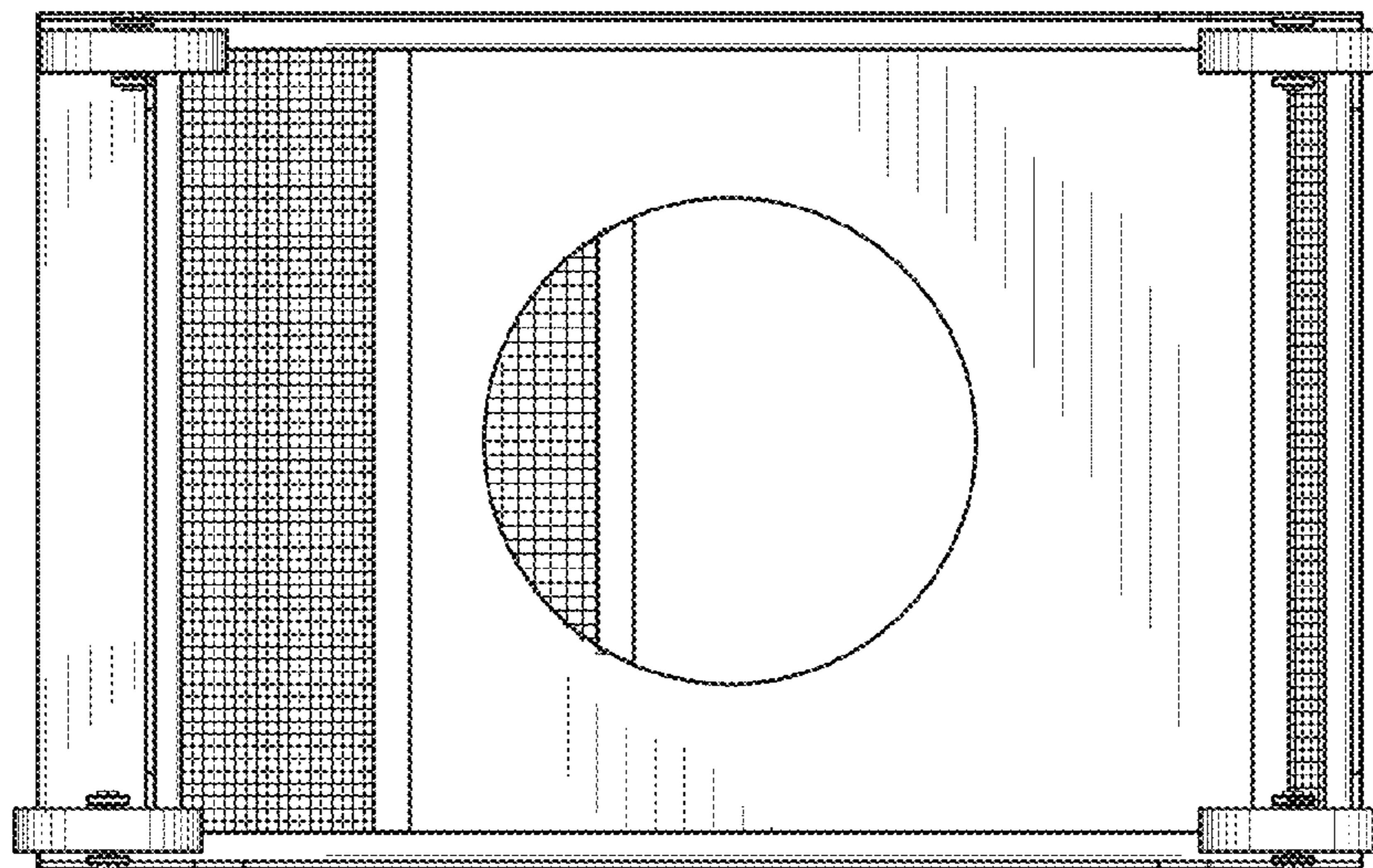


FIG. 3

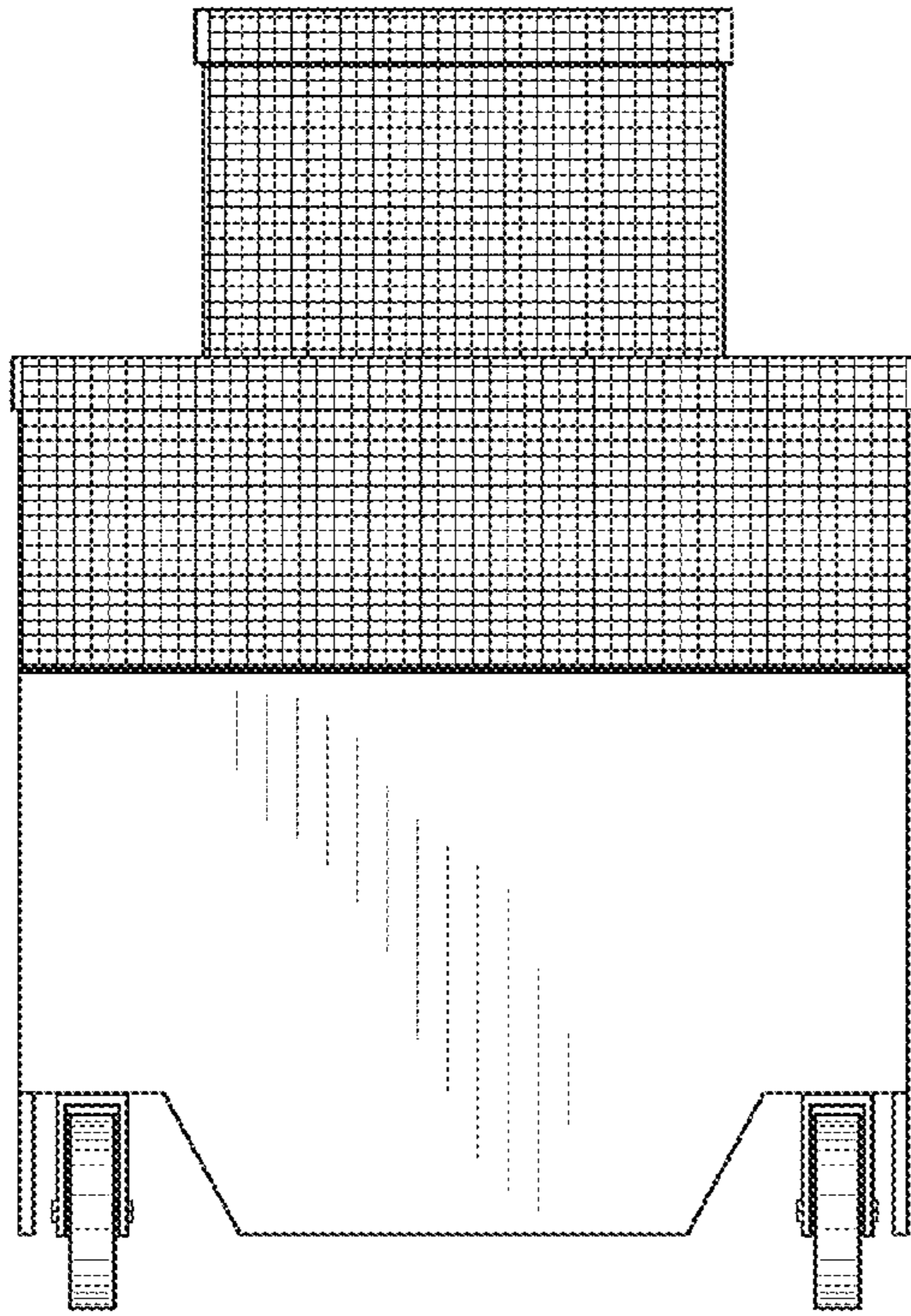


FIG. 4

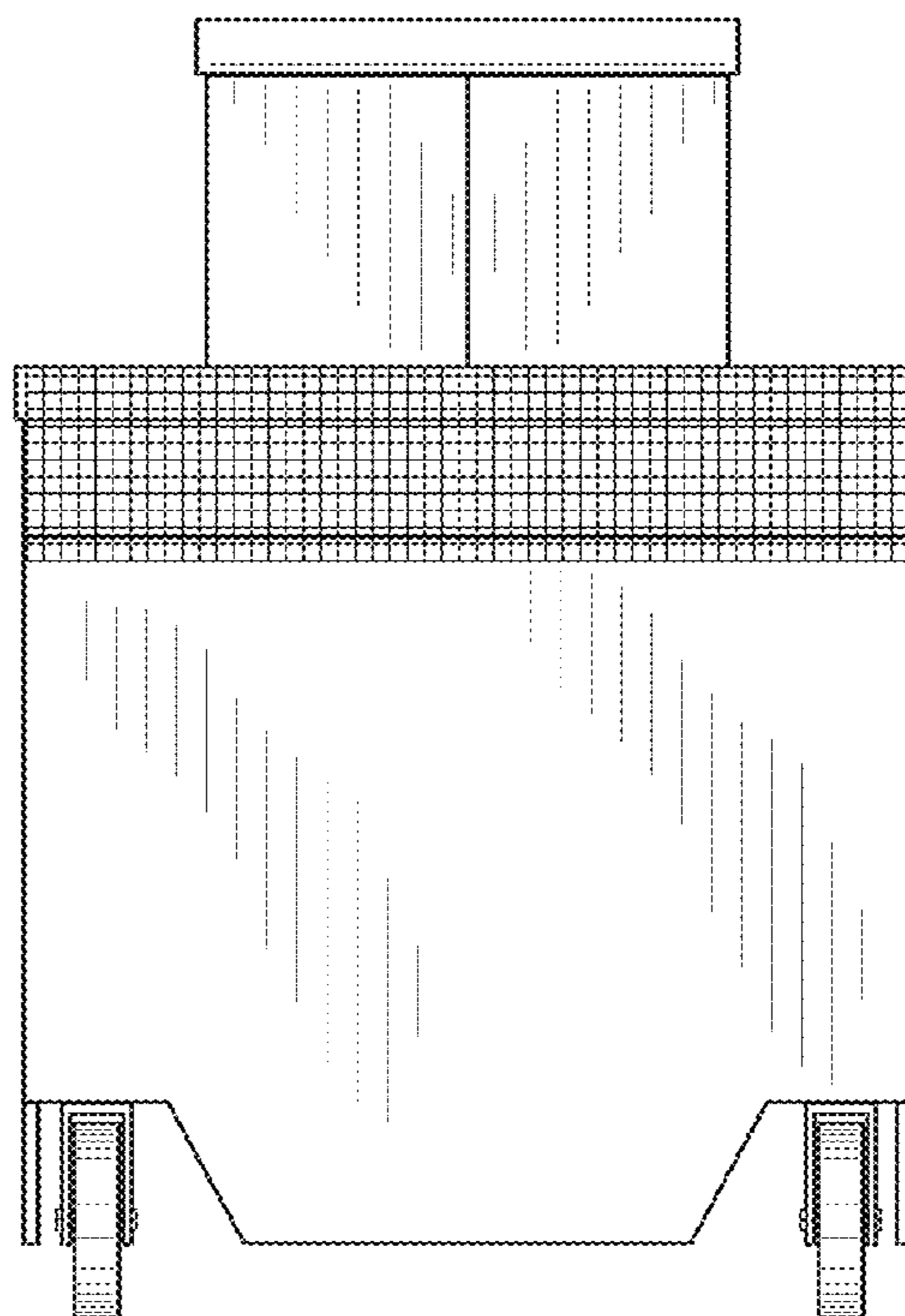


FIG. 5

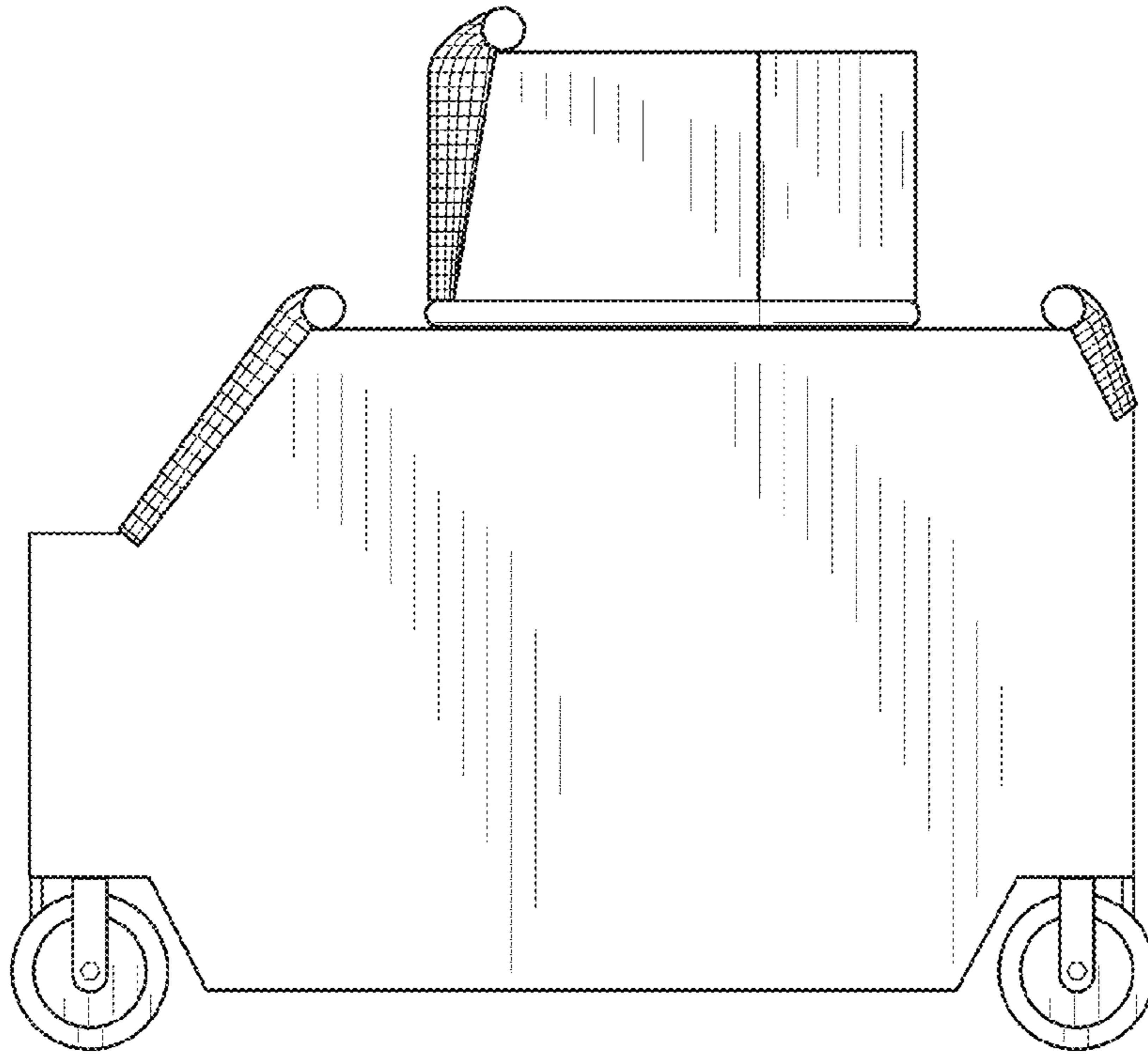


FIG. 6

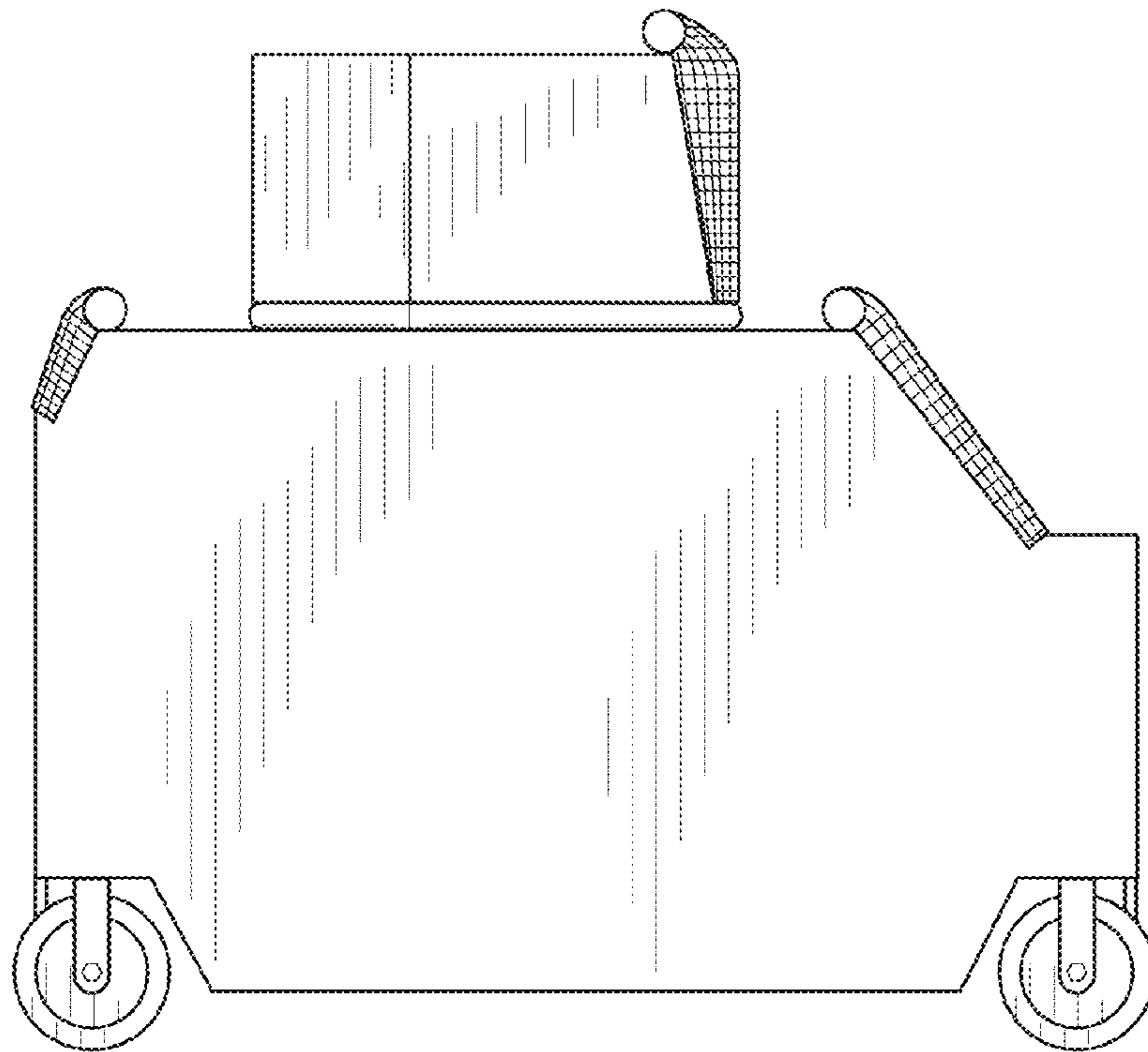


FIG. 7