



US00D730772S

(12) **United States Design Patent**
Chang

(10) **Patent No.:** **US D730,772 S**
(45) **Date of Patent:** **** Jun. 2, 2015**

- (54) **BUCKLE**
- (71) Applicant: **Ju-Sung Chang**, Taichung (TW)
- (72) Inventor: **Ju-Sung Chang**, Taichung (TW)
- (73) Assignee: **JONE-SHOU INDUSTRIAL CO., LTD.**, Taichung (TW)
- (**) Term: **14 Years**
- (21) Appl. No.: **29/502,108**
- (22) Filed: **Sep. 11, 2014**
- (51) **LOC (10) Cl.** **02-07**
- (52) **U.S. Cl.**
USPC **D11/234**
- (58) **Field of Classification Search**
USPC D11/226–237; D2/625–629, 976;
24/614, 186, 188, 191, 199–200, 170,
24/30.5 R; 224/163; 119/863; D30/152
See application file for complete search history.

D525,907 S *	8/2006	Mouquet	D11/234
D543,488 S *	5/2007	Tobergte	D11/234
D571,550 S *	6/2008	Valle	D2/976
D579,820 S *	11/2008	Brown	D11/231
D628,511 S *	12/2010	Wolfgang	D11/94
D637,519 S *	5/2011	Coffman	D11/234
D647,000 S *	10/2011	Kerker	D11/234
D682,736 S *	5/2013	Ng	D11/234
D708,549 S *	7/2014	Kao	D11/234
D710,251 S *	8/2014	Mariner et al.	D11/234
D711,777 S *	8/2014	Monachon	D11/234

* cited by examiner

Primary Examiner — T. Chase Nelson
Assistant Examiner — Mark Cavanna

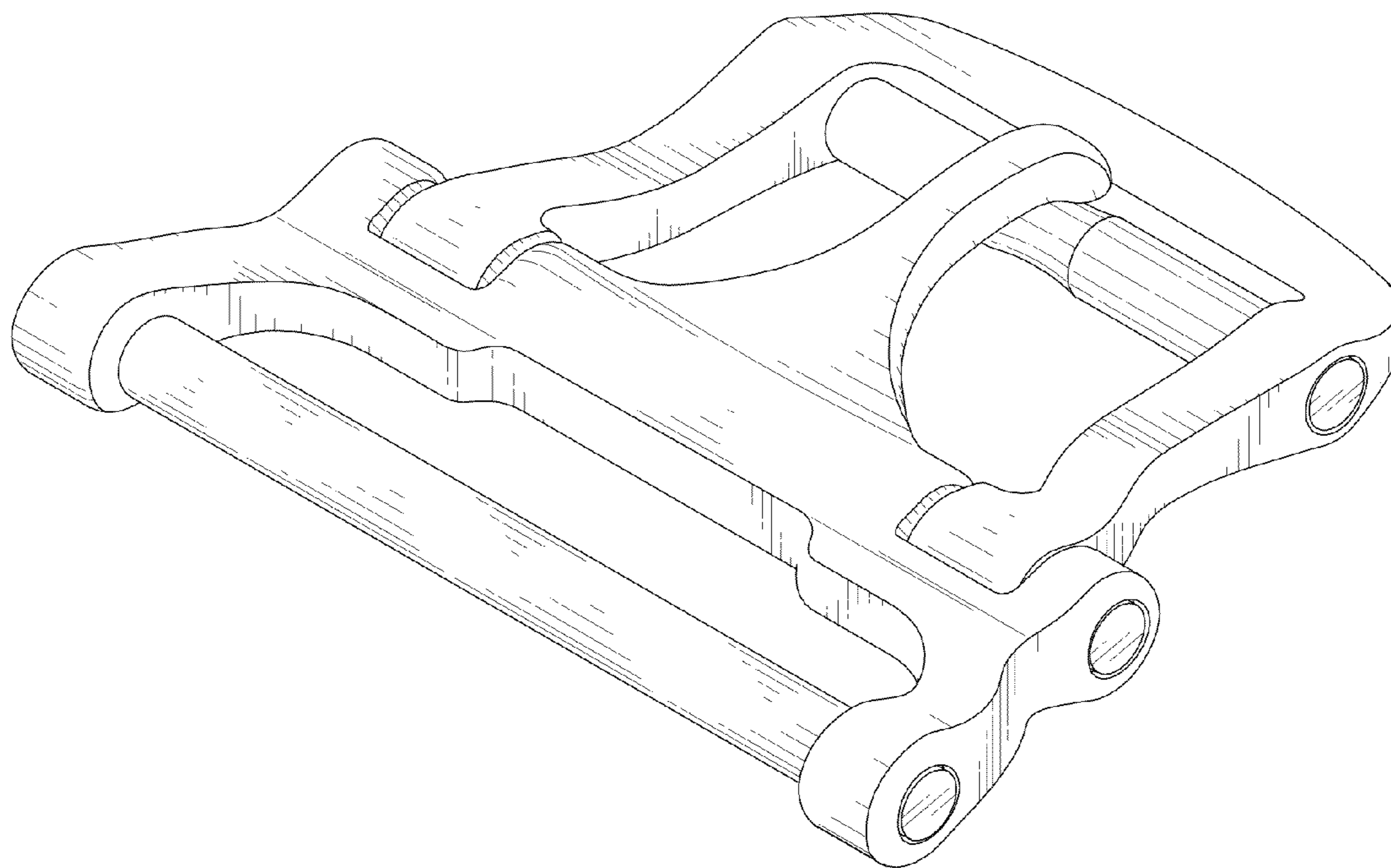
(57) **CLAIM**
I claim the ornamental design for a buckle, as shown and described.

DESCRIPTION

FIG. 1 is a perspective view of a buckle in accordance with the preferred embodiment of the present invention, showing my design;
FIG. 2 is a front view of the buckle shown in FIG. 1;
FIG. 3 is a rear view of the buckle shown in FIG. 1;
FIG. 4 is a left side view of the buckle shown in FIG. 1,
FIG. 5 is a right side view of the buckle shown in FIG. 1;
FIG. 6 is a top view of the buckle shown in FIG. 1; and,
FIG. 7 is a bottom view of the buckle shown in FIG. 1.

1 Claim, 7 Drawing Sheets

- (56) **References Cited**
U.S. PATENT DOCUMENTS
D479,812 S * 9/2003 Calvani D11/234
D480,989 S * 10/2003 Modolo D11/234
D523,377 S * 6/2006 Mouquet D11/234



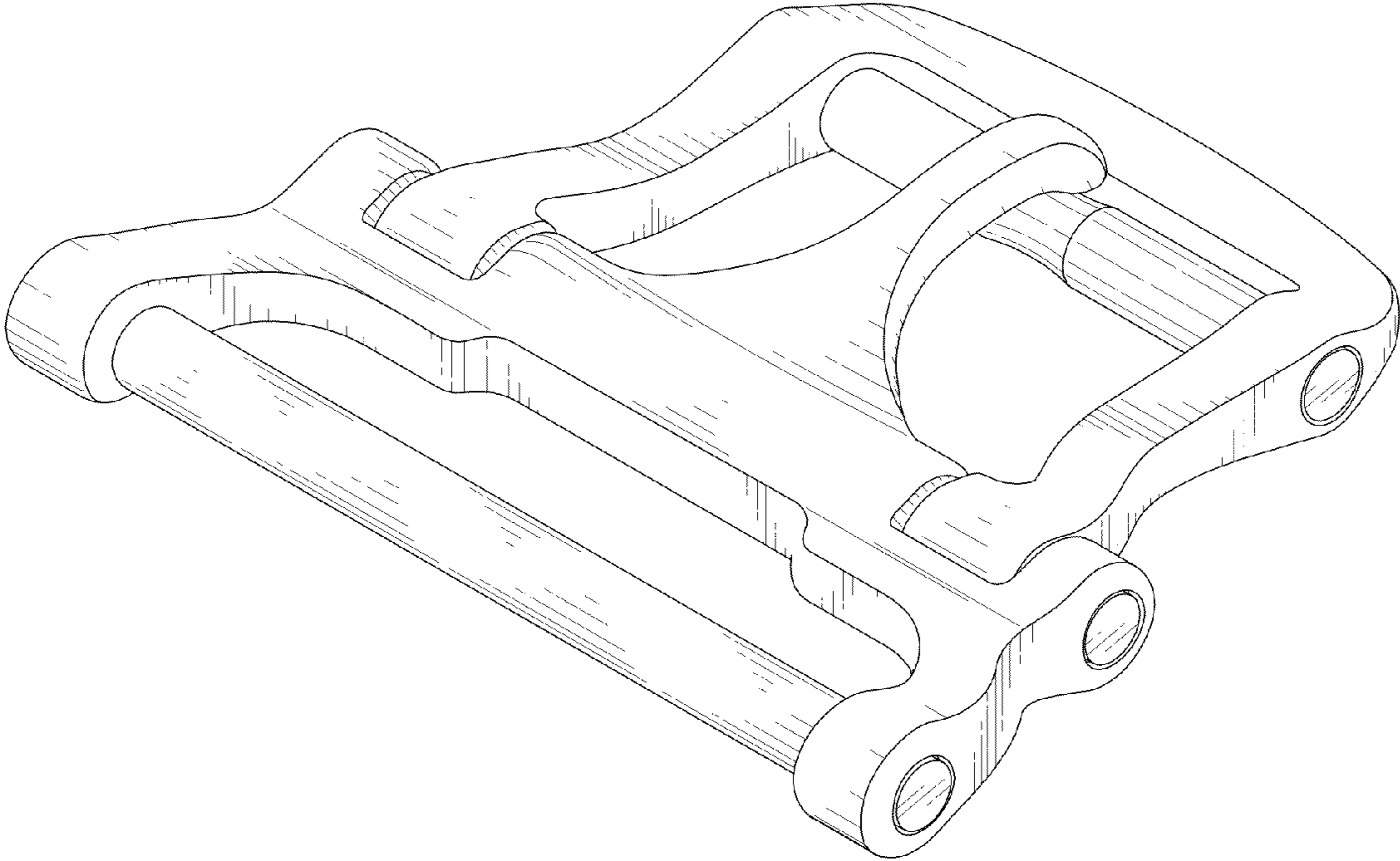


FIG.1

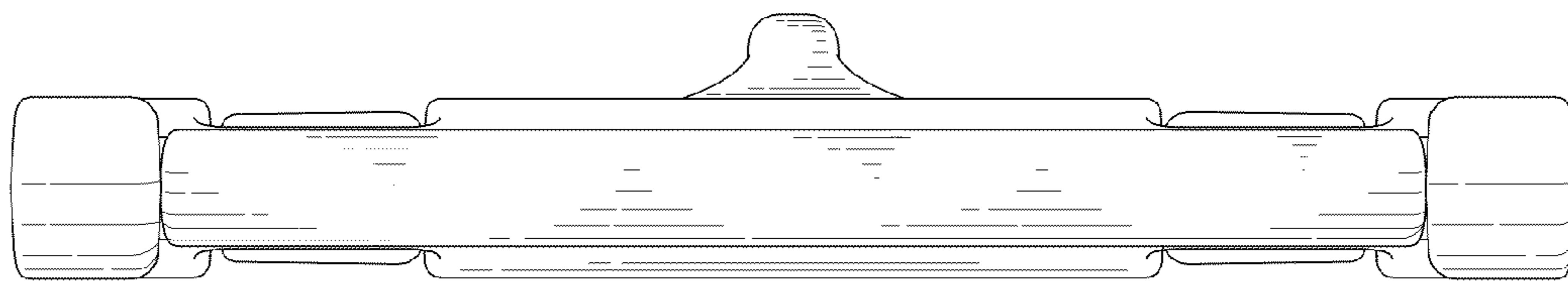


FIG.2

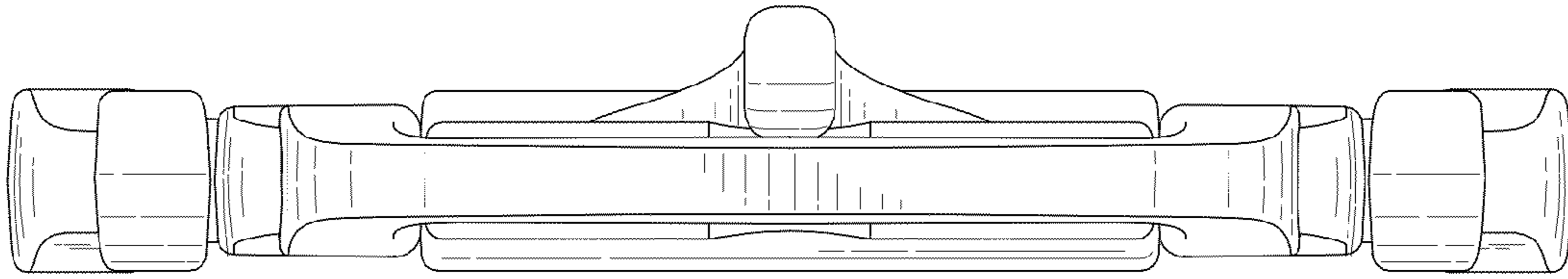


FIG.3

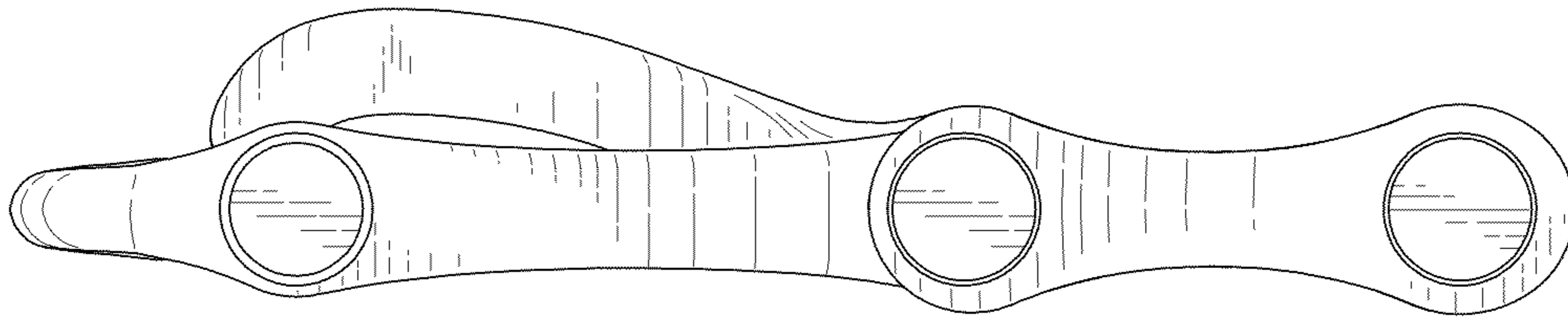


FIG.4

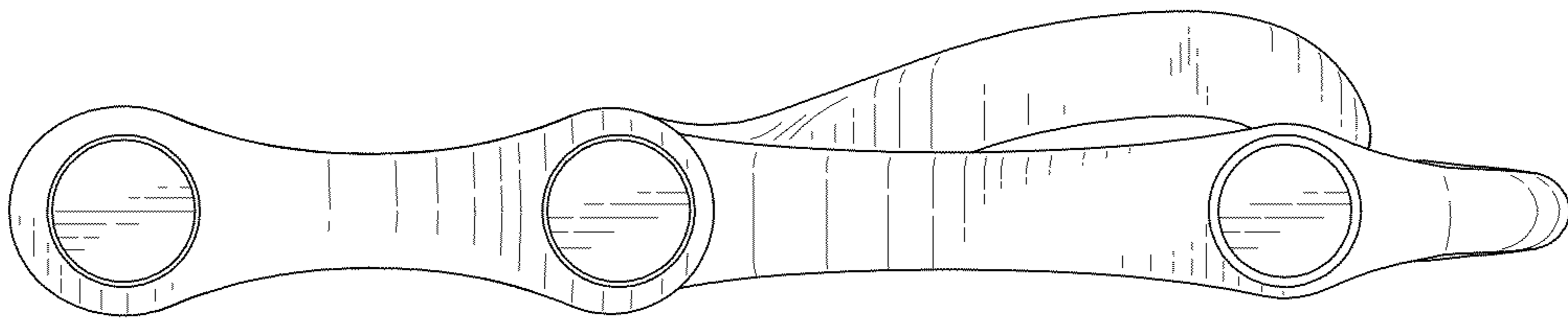


FIG.5

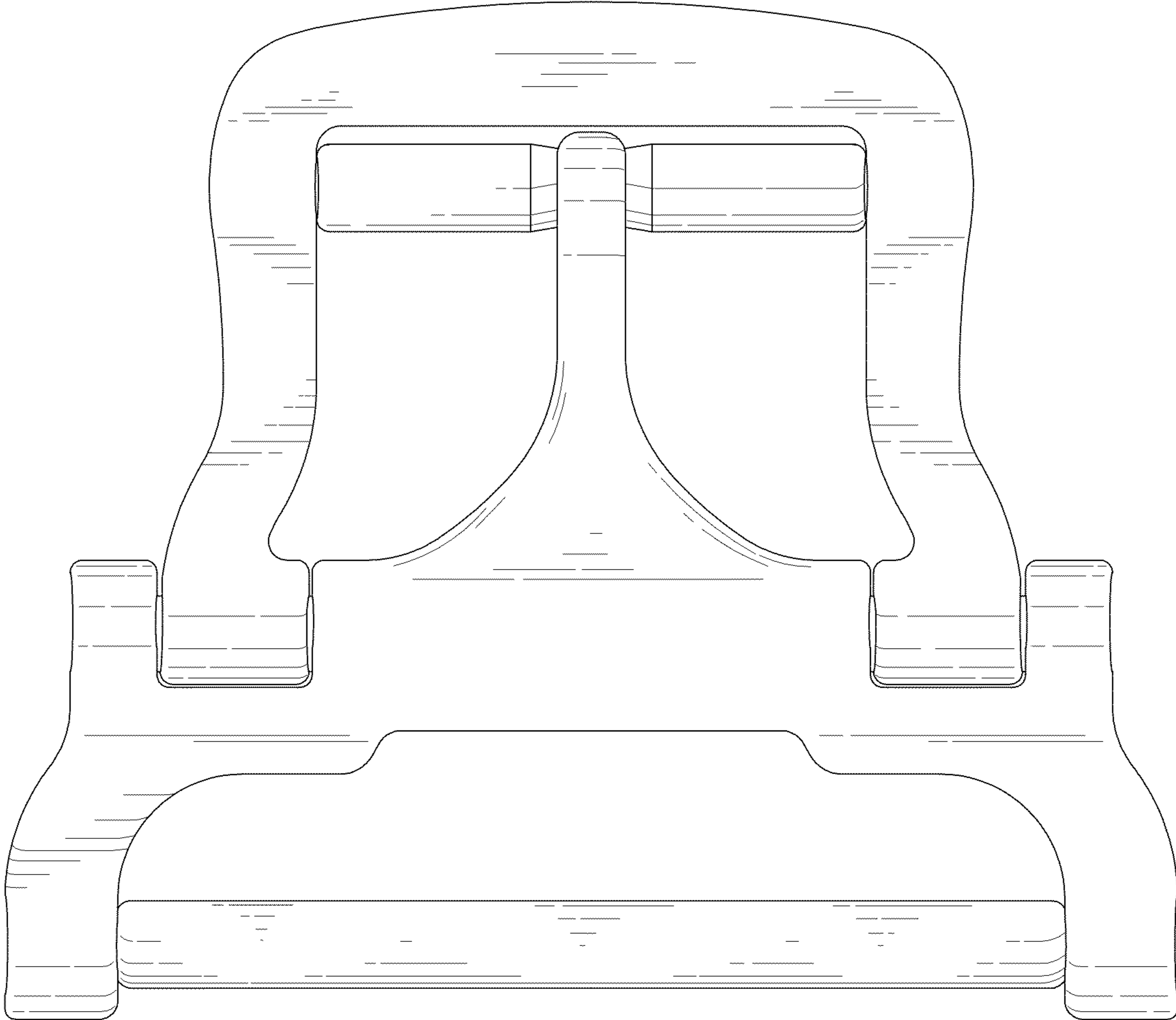


FIG.6

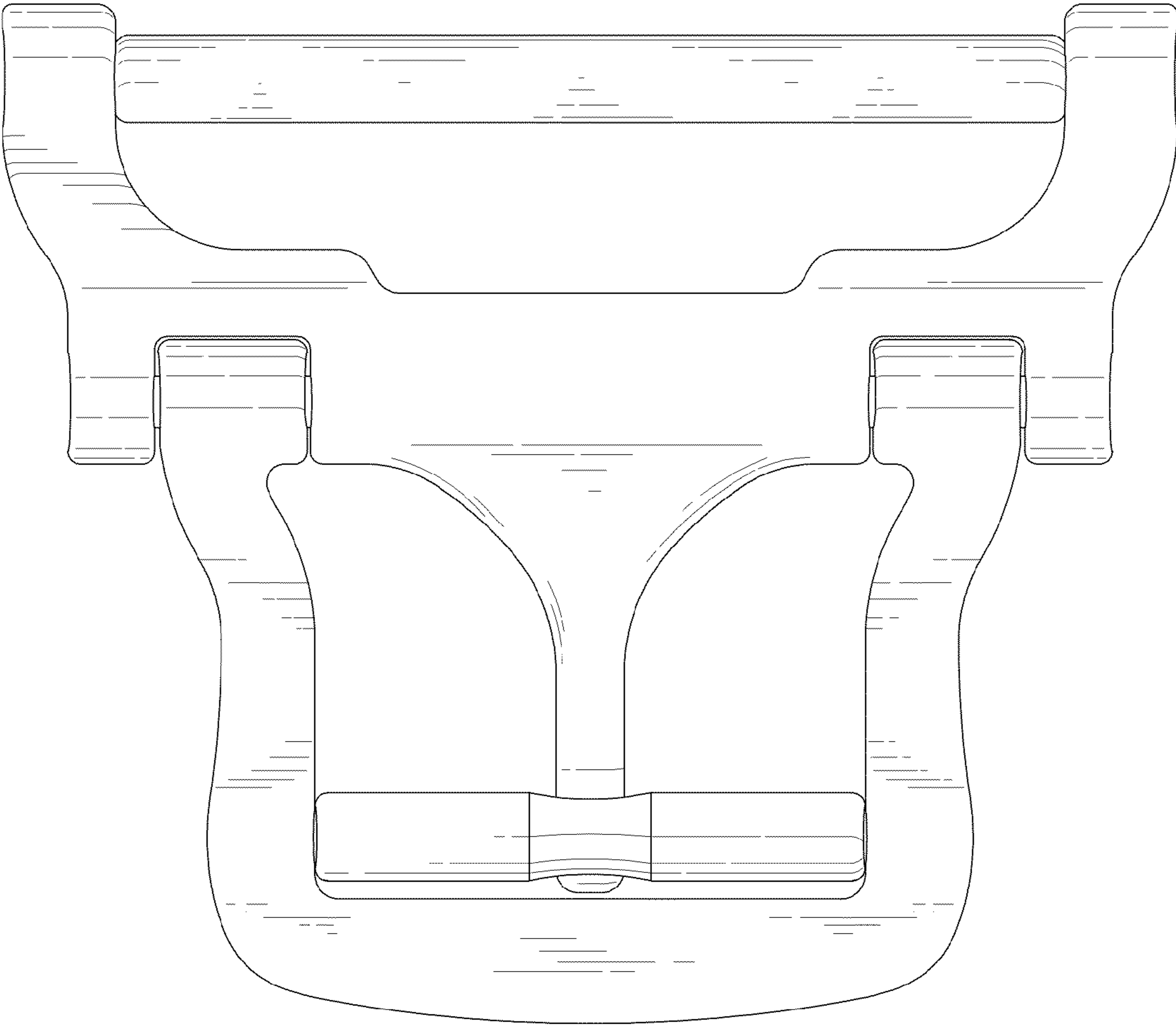


FIG.7