



US00D730771S

(12) **United States Design Patent**
Kolasa

(10) **Patent No.:** **US D730,771 S**
(45) **Date of Patent:** **** Jun. 2, 2015**

(54) **BUCKLE**

(71) Applicant: **ILLINOIS TOOL WORKS INC.**,
Glenview, IL (US)

(72) Inventor: **Scott D. Kolasa**, Mt. Prospect, IL (US)

(73) Assignee: **Illinois Tool Works Inc.**, Glenview, IL
(US)

(**) Term: **14 Years**

(21) Appl. No.: **29/495,970**

(22) Filed: **Jul. 8, 2014**

(51) **LOC (10) Cl.** **02-07**

(52) **U.S. Cl.**
USPC **D11/216**

(58) **Field of Classification Search**
USPC D11/1-2, 200-201, 206-210, 214-218;
24/163 R, 169-171, 173, 177-179, 191,
24/194-195, 197, 200, 614-616, 625, 198,
24/630; D8/349, 395
CPC A44B 11/26; A44B 11/25
See application file for complete search history.

(56) **References Cited**

U.S. PATENT DOCUMENTS

D680,732 S	*	4/2013	Nagy	D3/207
D688,157 S	*	8/2013	Kao	D11/216
D693,734 S	*	11/2013	Kao	D11/216
D701,139 S	*	3/2014	Kadoishi	D11/216
D714,682 S	*	10/2014	Paik et al.	D11/216

OTHER PUBLICATIONS

Photographs of Buckles.

* cited by examiner

Primary Examiner — Ralf Seifert

(74) *Attorney, Agent, or Firm* — Paul F. Donovan

(57) **CLAIM**

The ornamental design for a buckle, as shown and described.

DESCRIPTION

FIG. 1 is a perspective view of the buckle showing the new design;

FIG. 2 is a bottom view thereof;

FIG. 3 is a top view thereof;

FIG. 4 is a front view thereof;

FIG. 5 is a back view thereof;

FIG. 6 is a right side view thereof;

FIG. 7 is a left side view thereof;

FIG. 8 is a perspective view of the buckle shown in FIG. 1 but with some of the non-claimed environmental matter being in a different configuration;

FIG. 9 is a bottom view of FIG. 8;

FIG. 10 is a top view of FIG. 8;

FIG. 11 is a front view of FIG. 8;

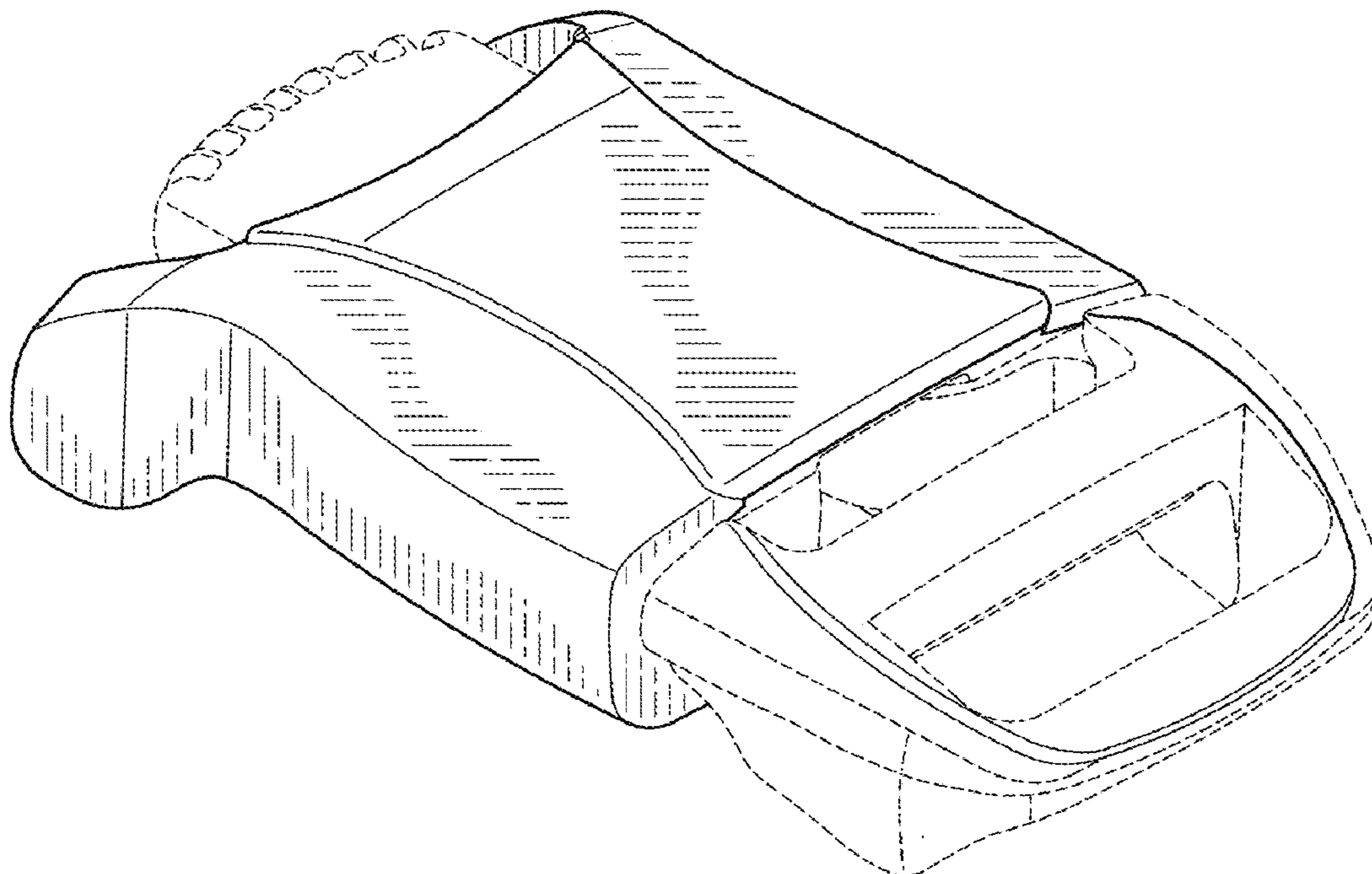
FIG. 12 is a back view of FIG. 8;

FIG. 13 is a right side view of FIG. 8; and,

FIG. 14 is a left side view of FIG. 8.

The broken line portions of the disclosure are for illustrative purposes only and form no part of the claimed design.

1 Claim, 8 Drawing Sheets



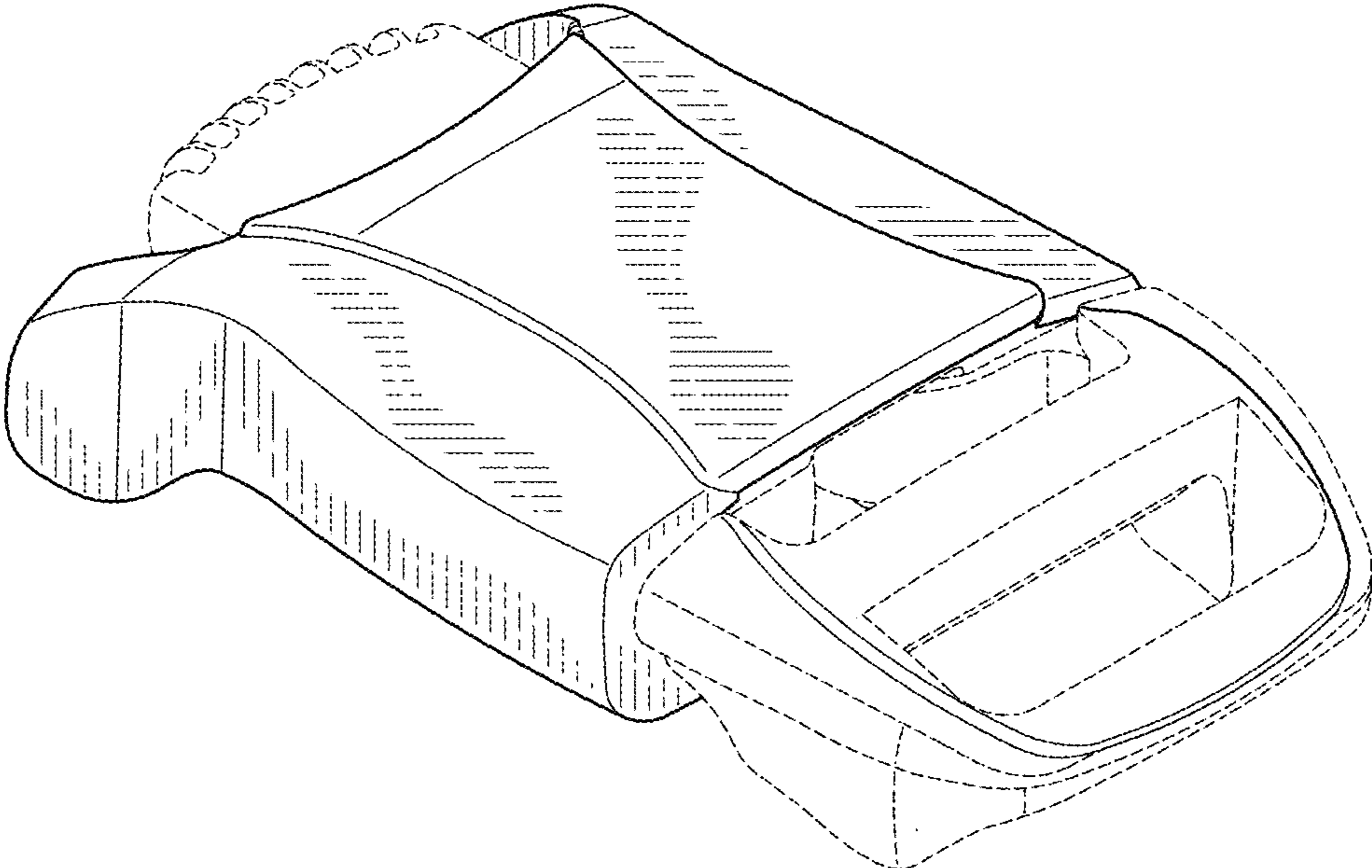


FIG. 1

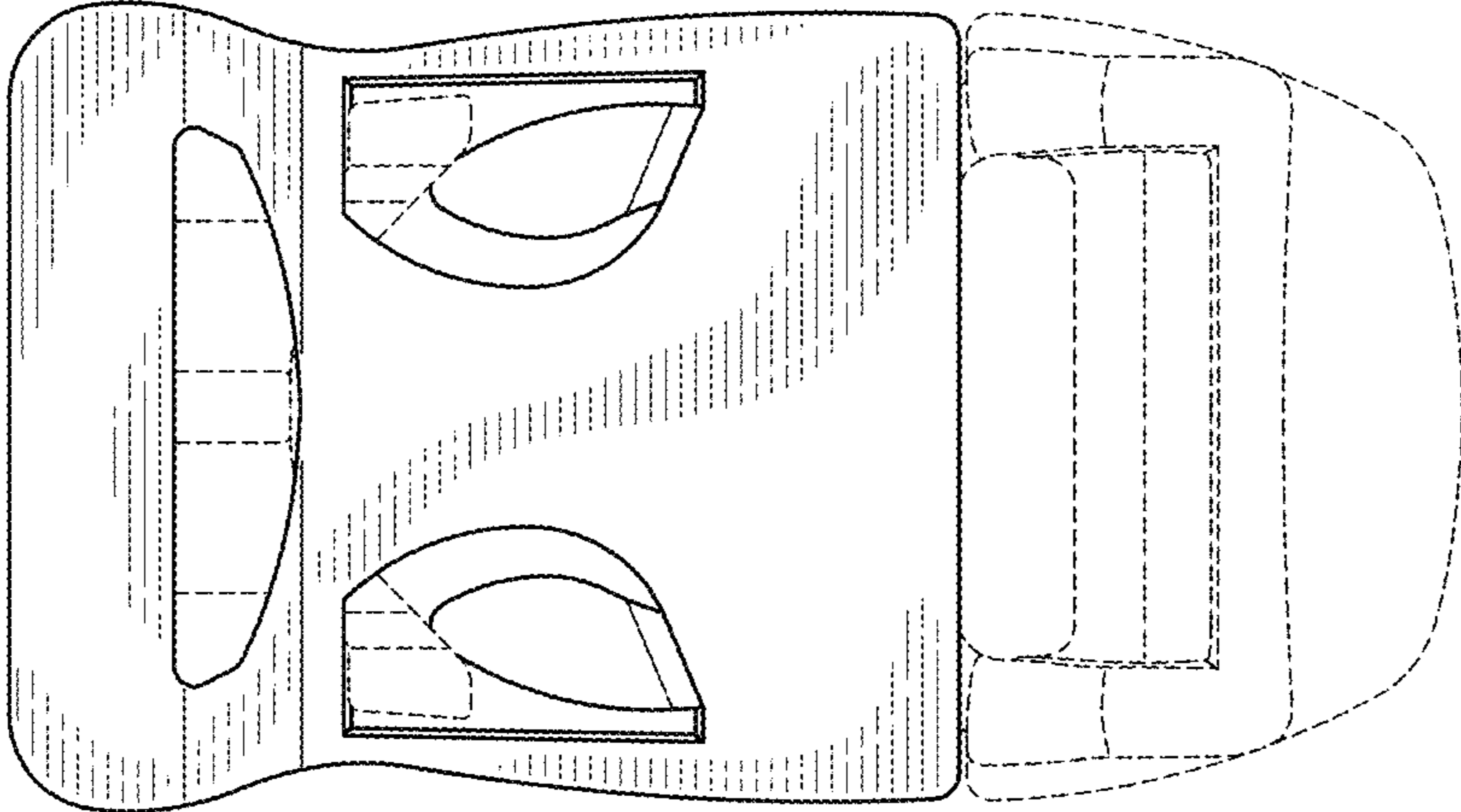


FIG. 2

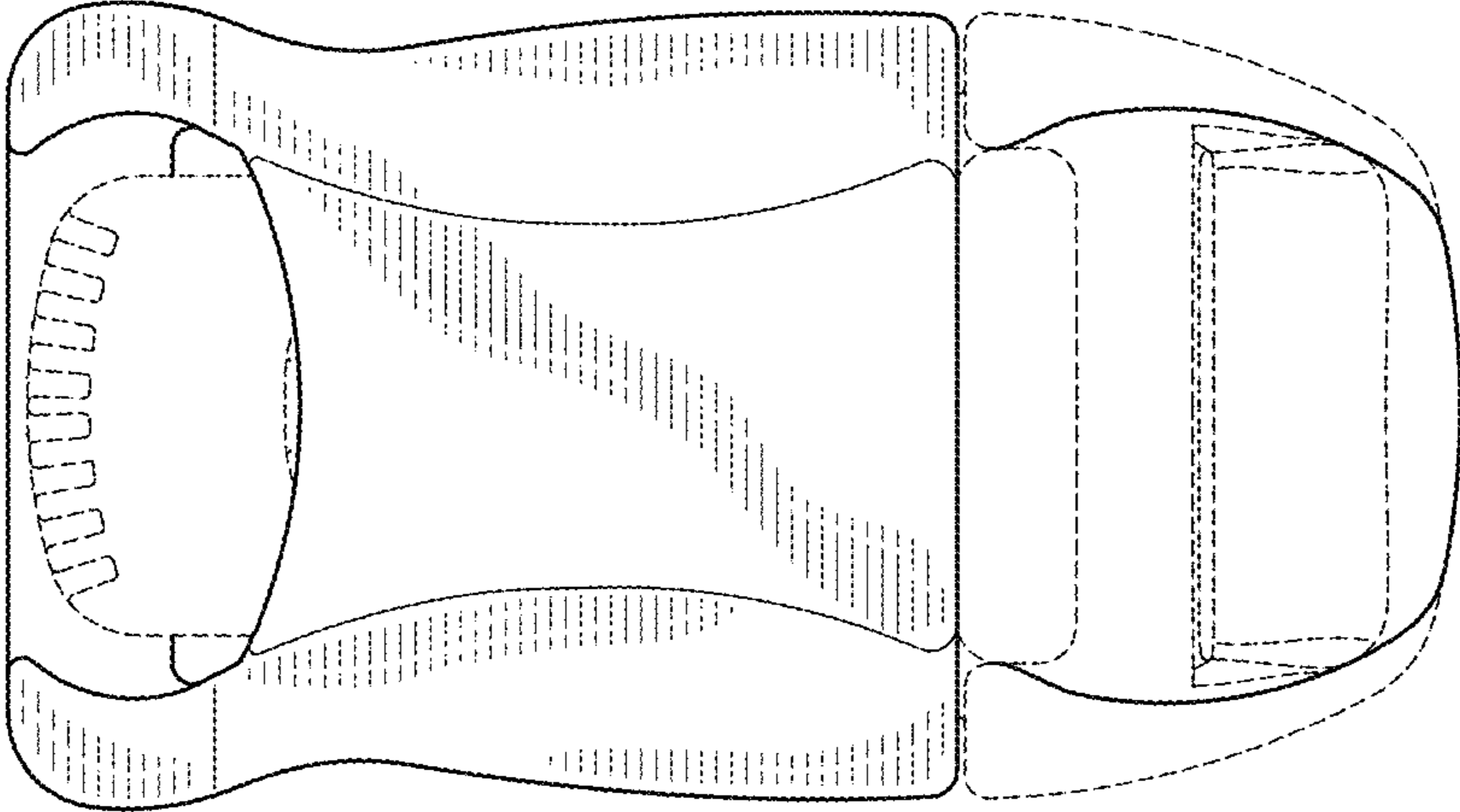


FIG. 3

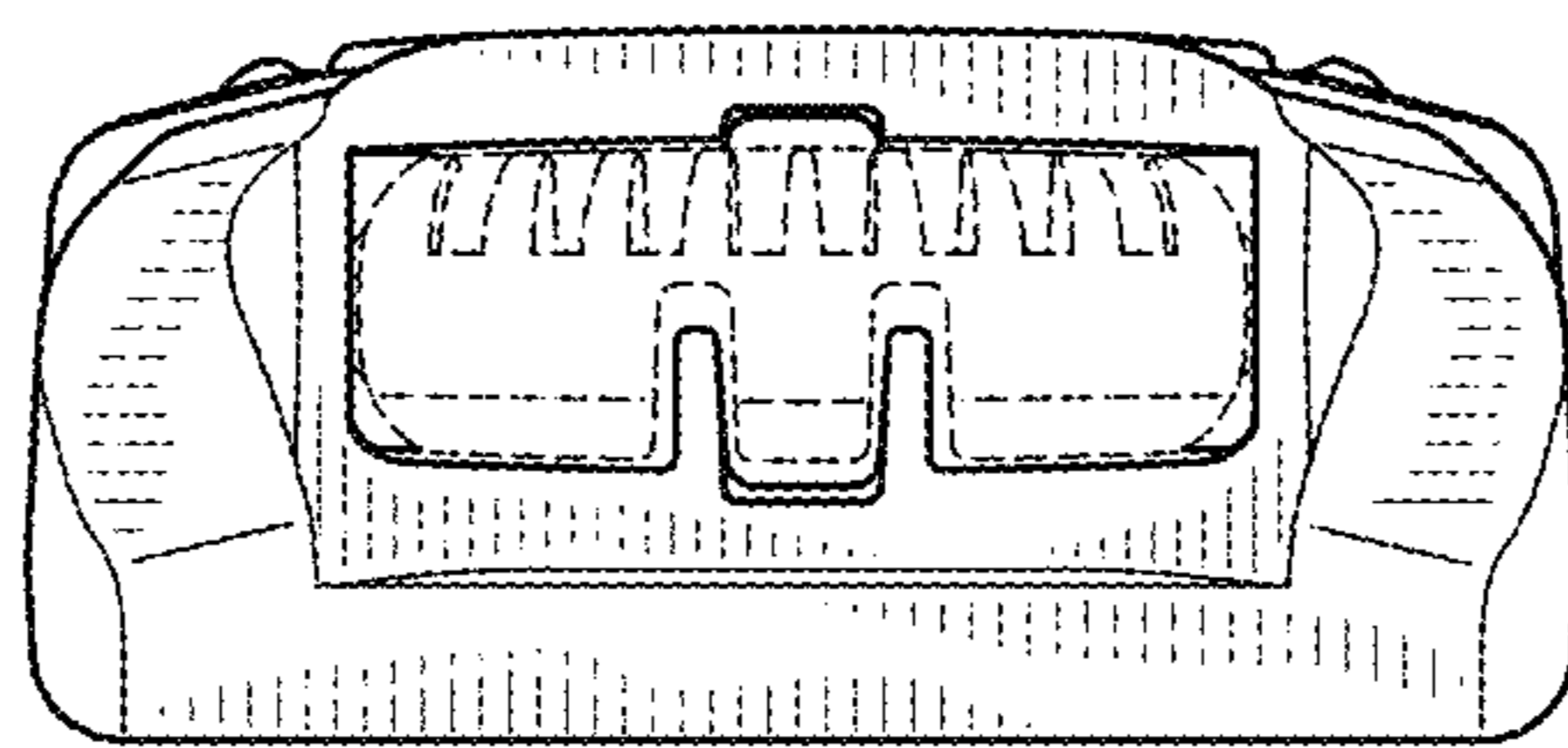


FIG. 4

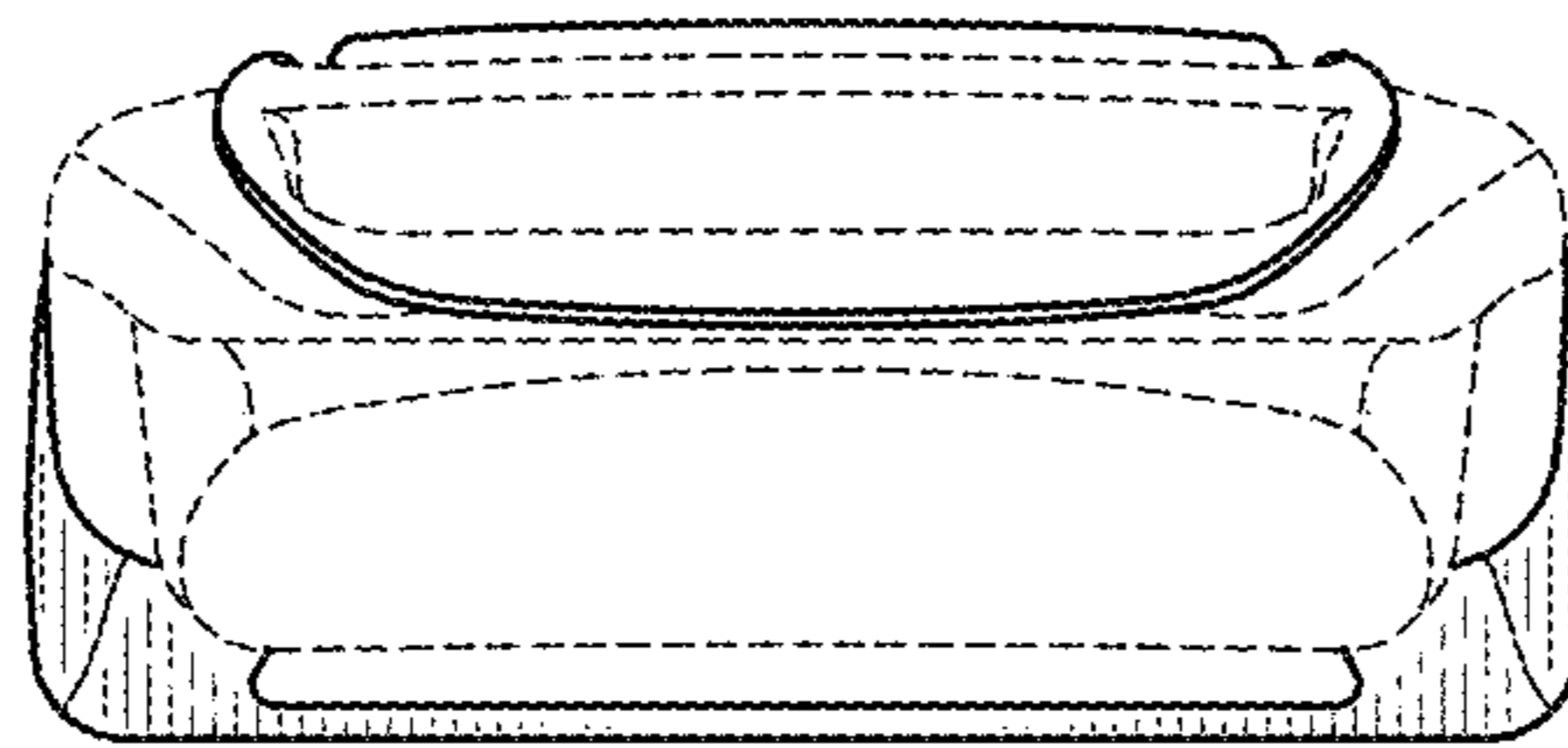


FIG. 5

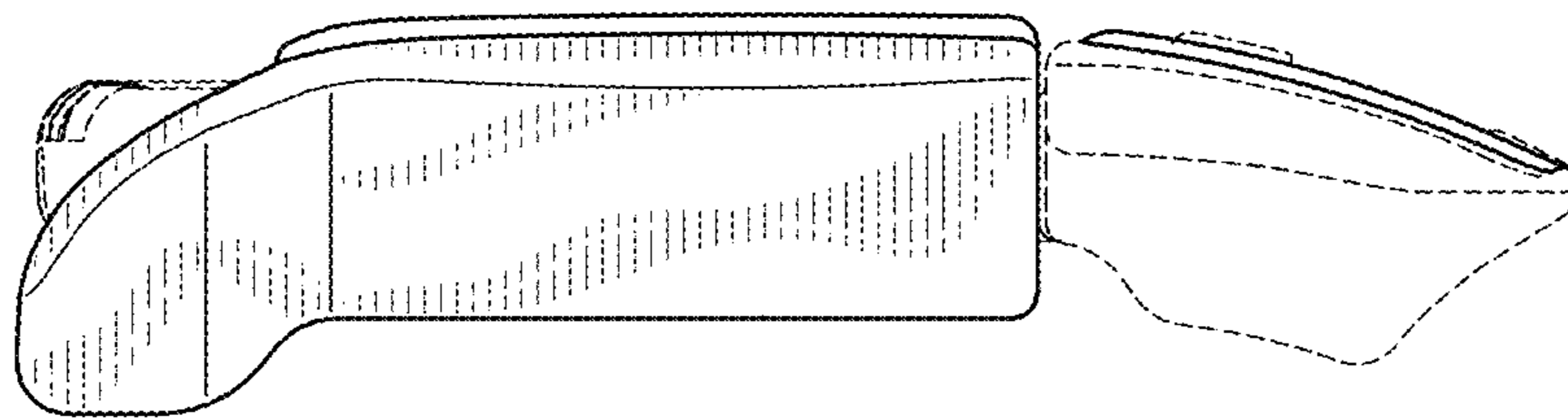


FIG. 6

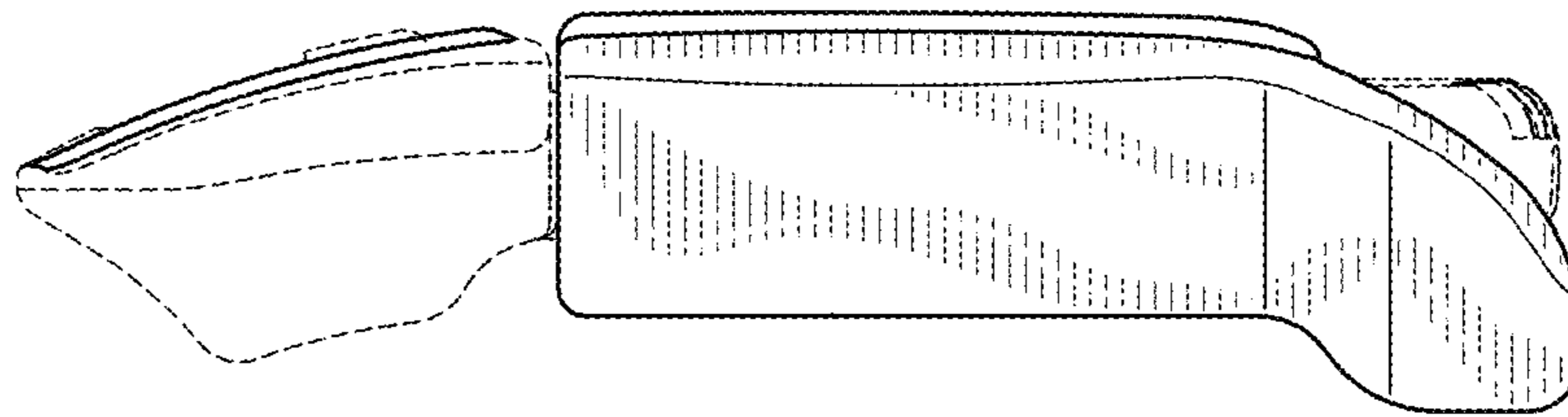


FIG. 7

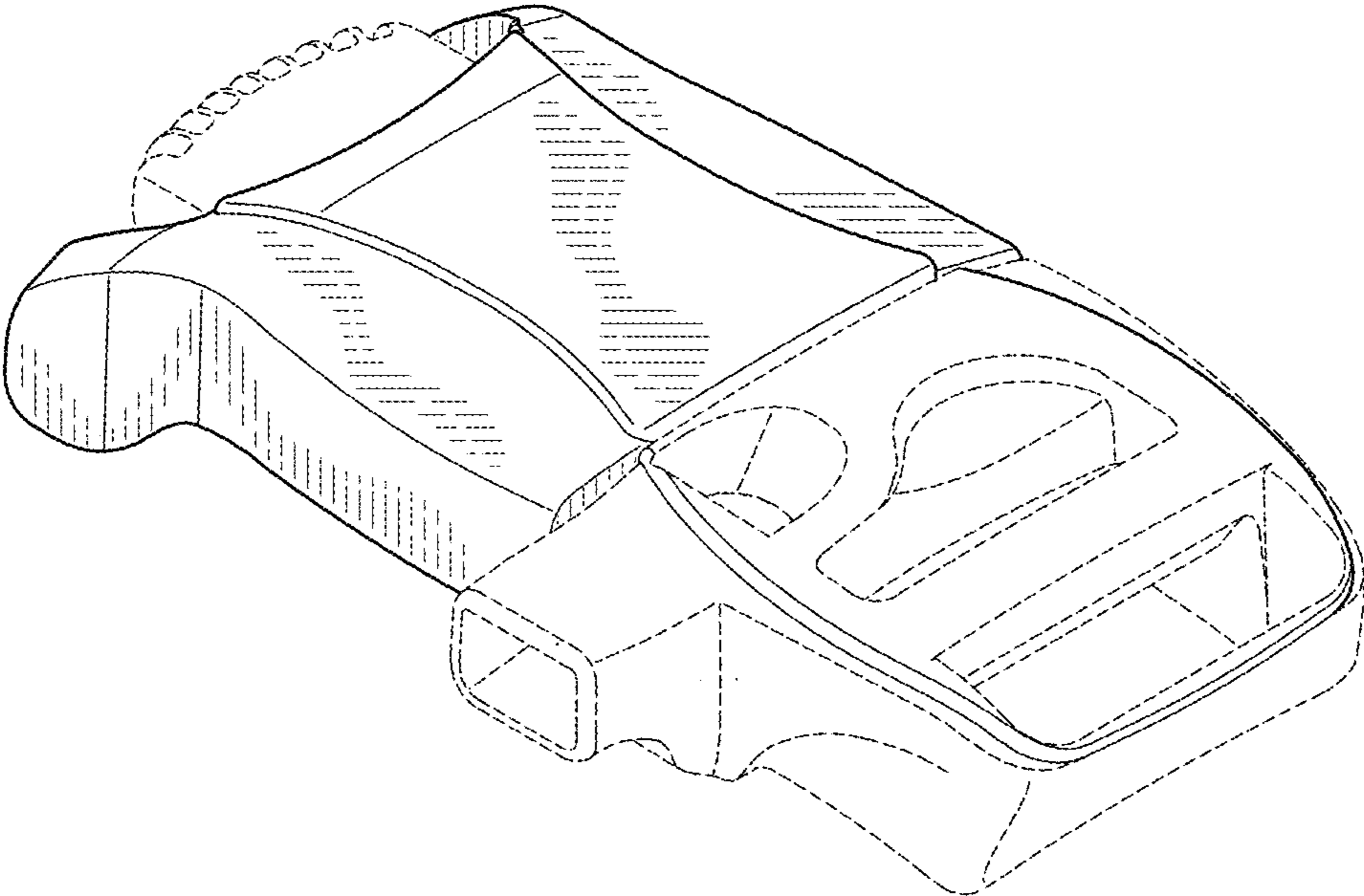


FIG. 8

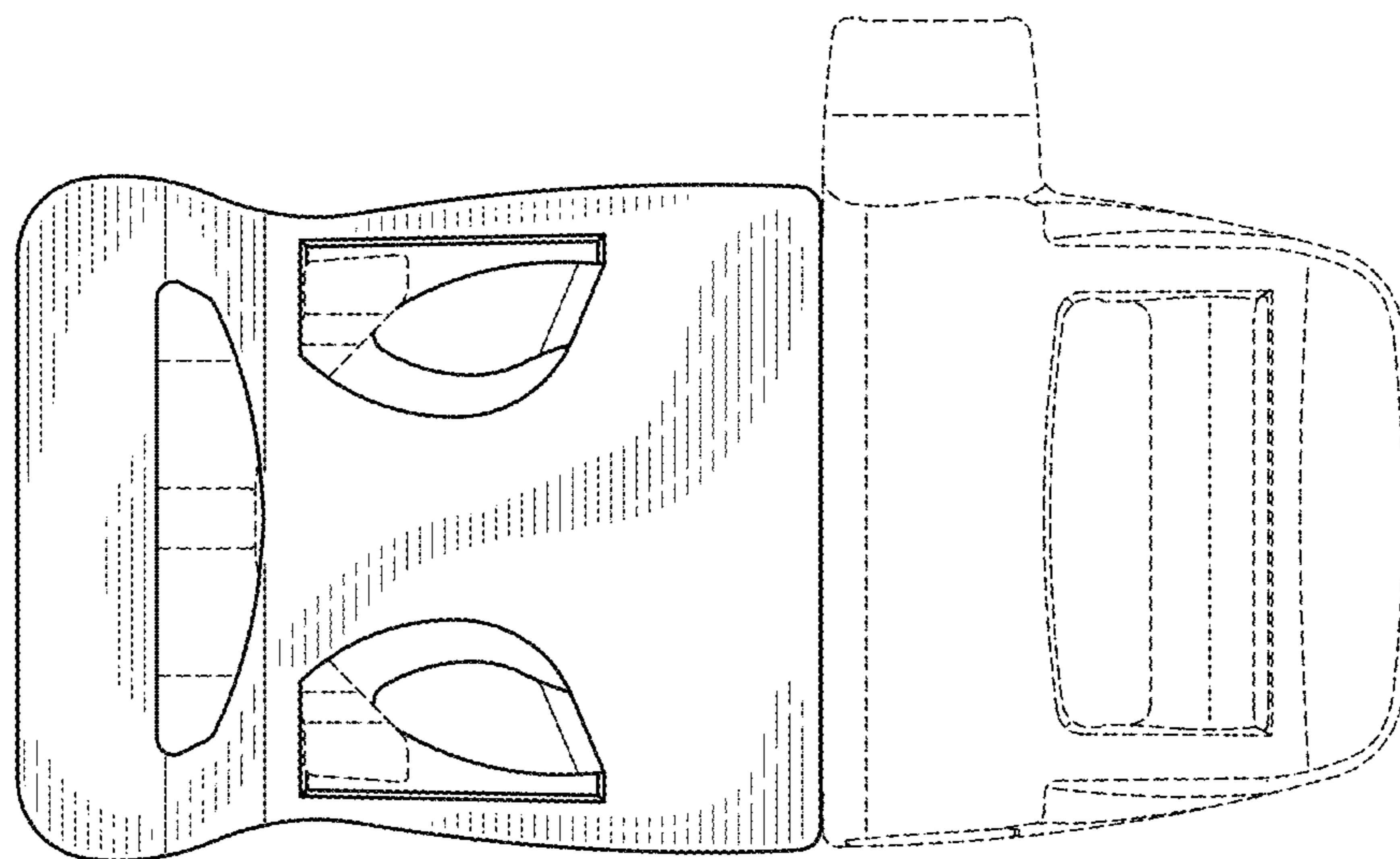


FIG. 9

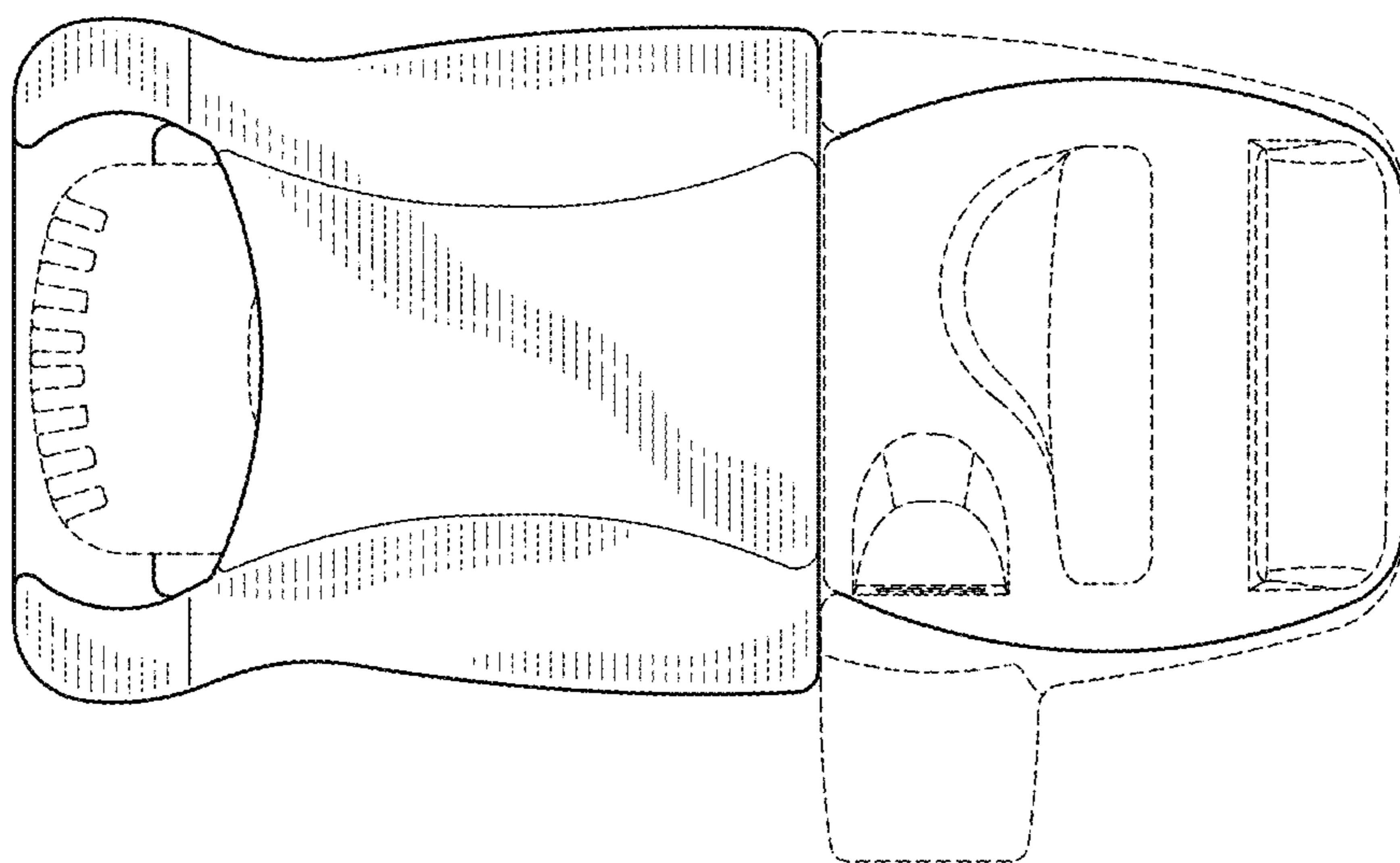


FIG. 10

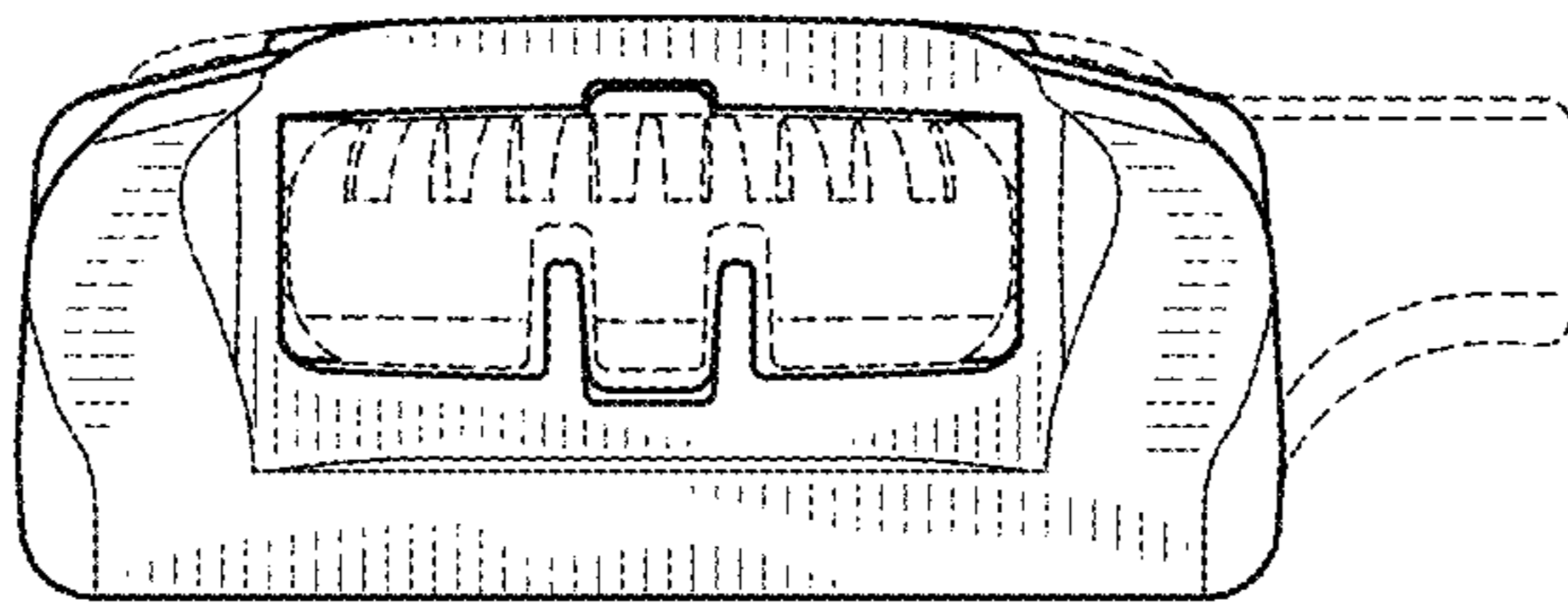


FIG. 11

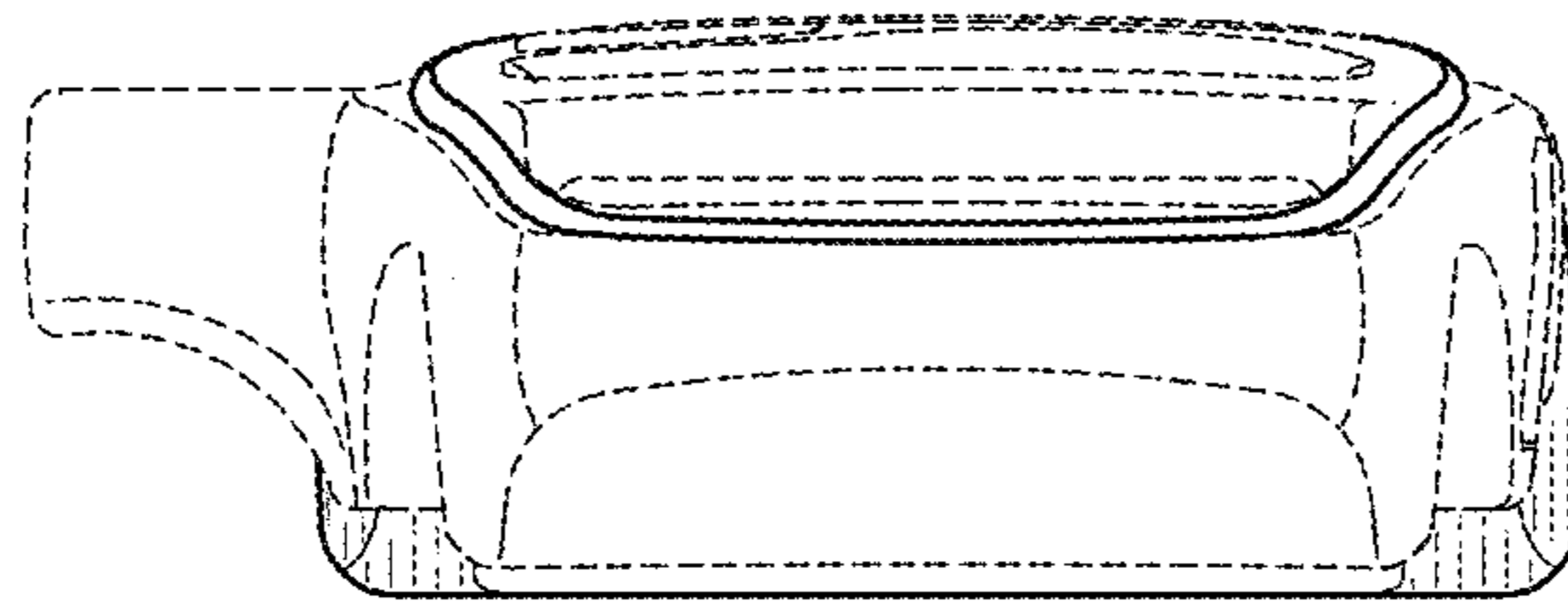


FIG. 12

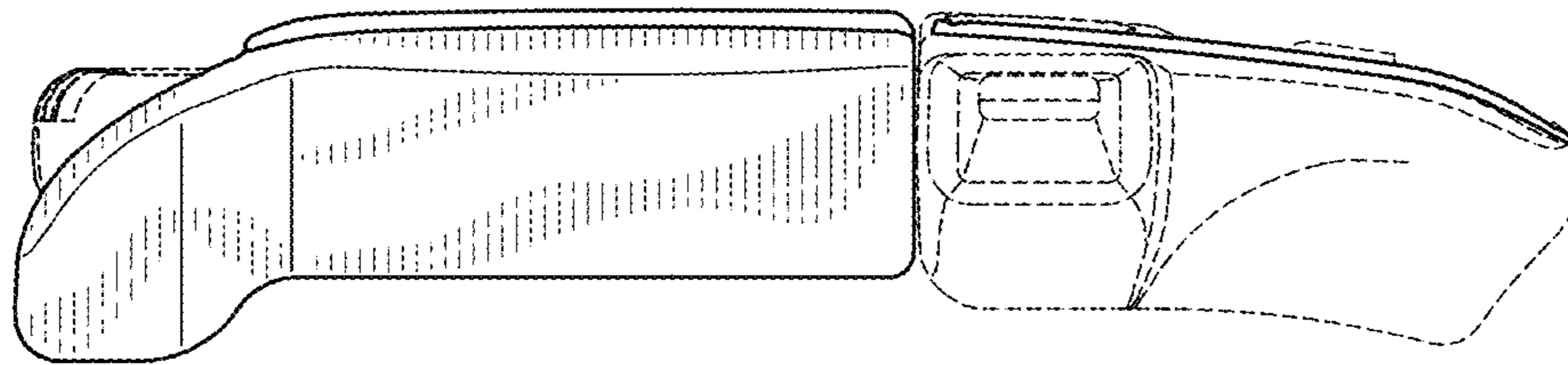


FIG. 13

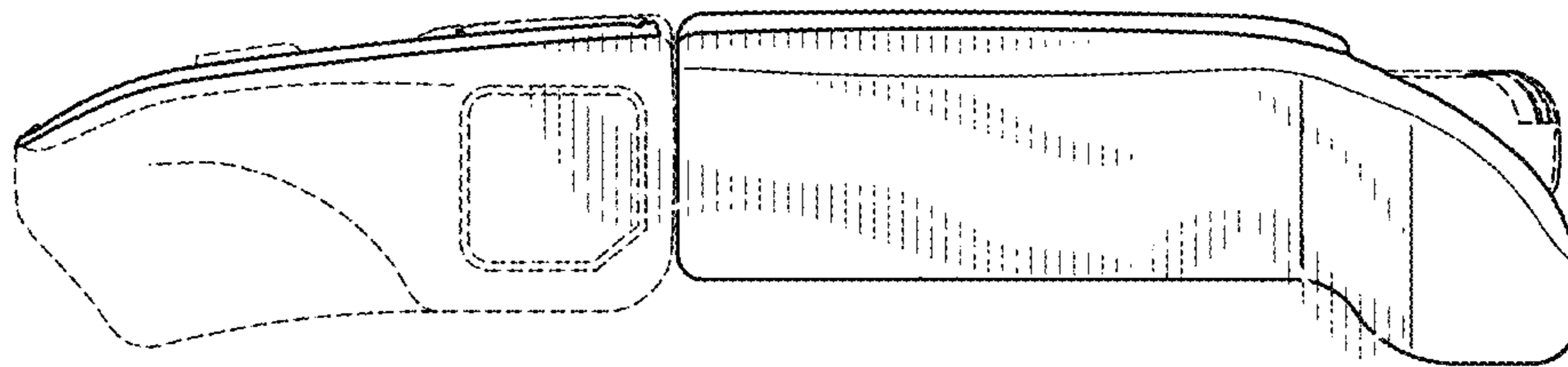


FIG. 14