



US00D730770S

(12) **United States Design Patent**
LaRosa, Jr. et al.

(10) **Patent No.:** **US D730,770 S**
(45) **Date of Patent:** **** Jun. 2, 2015**

(54) **HYDROPONIC BASKET**

(56) **References Cited**

(71) Applicants: **Donald LaRosa, Jr.**, Livermore, CA
(US); **Darren Lacativo**, Livermore, CA
(US)

(72) Inventors: **Donald LaRosa, Jr.**, Livermore, CA
(US); **Darren Lacativo**, Livermore, CA
(US)

(**) Term: **14 Years**

(21) Appl. No.: **29/450,744**

(22) Filed: **Mar. 21, 2013**

(51) **LOC (10) Cl.** **11-02**

(52) **U.S. Cl.**
USPC **D11/143**

(58) **Field of Classification Search**
USPC D6/300, 306, 403-405, 556-558;
D7/300, 500, 509; D8/1;
D11/143-156, 164; D25/100;
D26/9-11, 16, 19; D34/1, 2, 4-6;
D99/5, 19; 47/17, 32.4, 32.5, 32.7, 33,
47/39, 41.01, 41.1, 41.11-41.15, 44-46,
47/62, 63, 65.5, 65.9, 66.1, 66.2, 66.6,
47/66.7, 67-71

See application file for complete search history.

U.S. PATENT DOCUMENTS

D185,879	S	*	8/1959	Reluecke	D34/1
D278,989	S	*	5/1985	Baumann	D11/152
D347,512	S	*	5/1994	Yoshikawa	D3/304
D347,921	S	*	6/1994	Yoshikawa	D3/304
D433,548	S	*	11/2000	Baines et al.	D32/37
D436,626	S	*	1/2001	Wang	D19/85
D474,603	S	*	5/2003	Berenguer	D3/307
D477,145	S	*	7/2003	Sofy et al.	D3/307
D617,519	S	*	6/2010	Malczewski et al.	D34/1
D661,826	S	*	6/2012	Jorgensen	D26/9
2012/0084888	A1	*	4/2012	Conrad	800/298

* cited by examiner

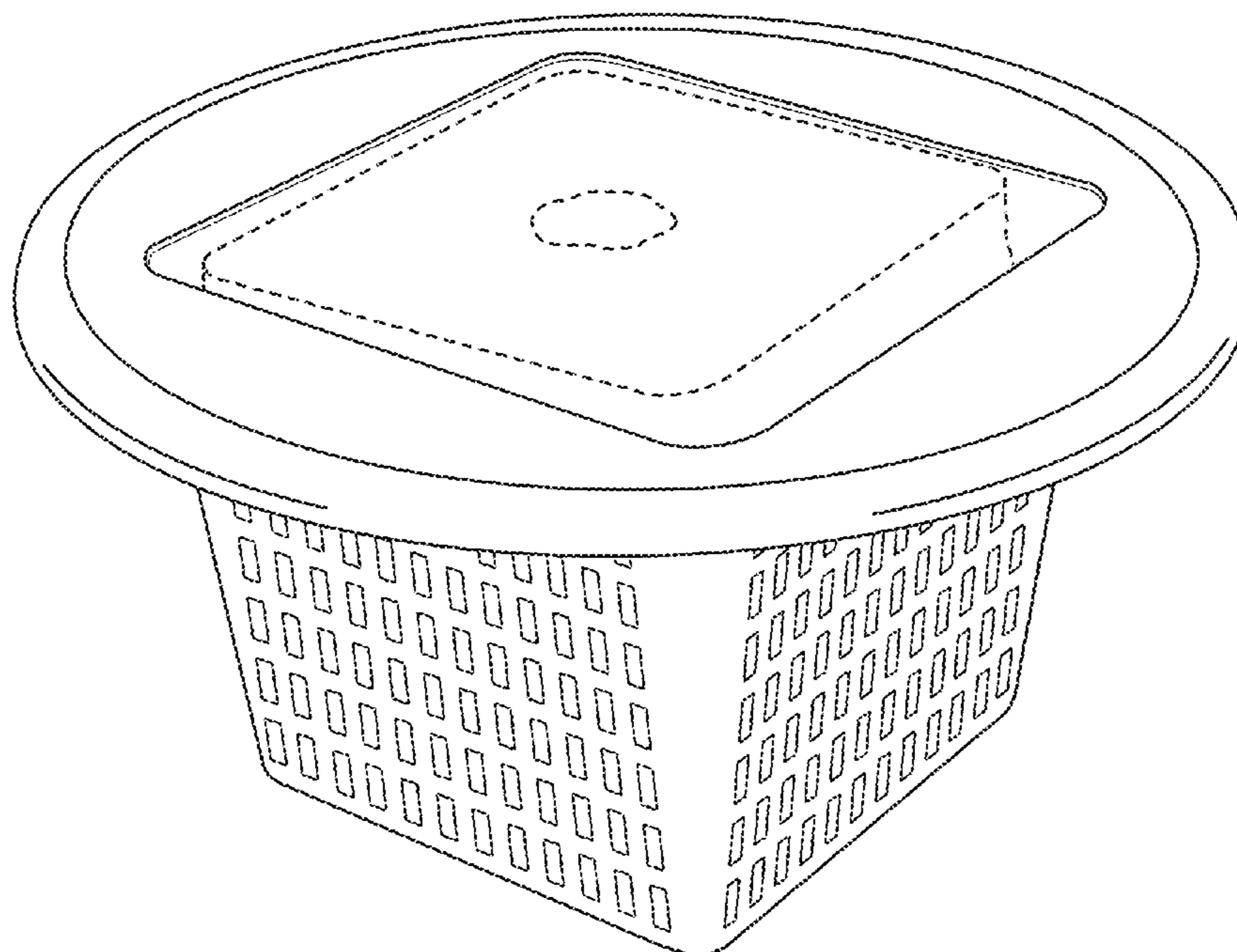
Primary Examiner — Robert M Spear
Assistant Examiner — Marissa J Cash
(74) *Attorney, Agent, or Firm* — GSS Law Group

(57) **CLAIM**
The ornamental design for a hydroponic basket, as shown and described.

DESCRIPTION

FIG. 1 is a perspective view of the hydroponic basket; FIG. 2 is a side elevation view of the hydroponic basket; the other three sides are identical; FIG. 3 is a top elevation view of the hydroponic basket; and, FIG. 4 is a bottom elevation view of the hydroponic basket. The broken lines in the figures depict environmental subject matter only, and form no part of the claimed design.

1 Claim, 4 Drawing Sheets



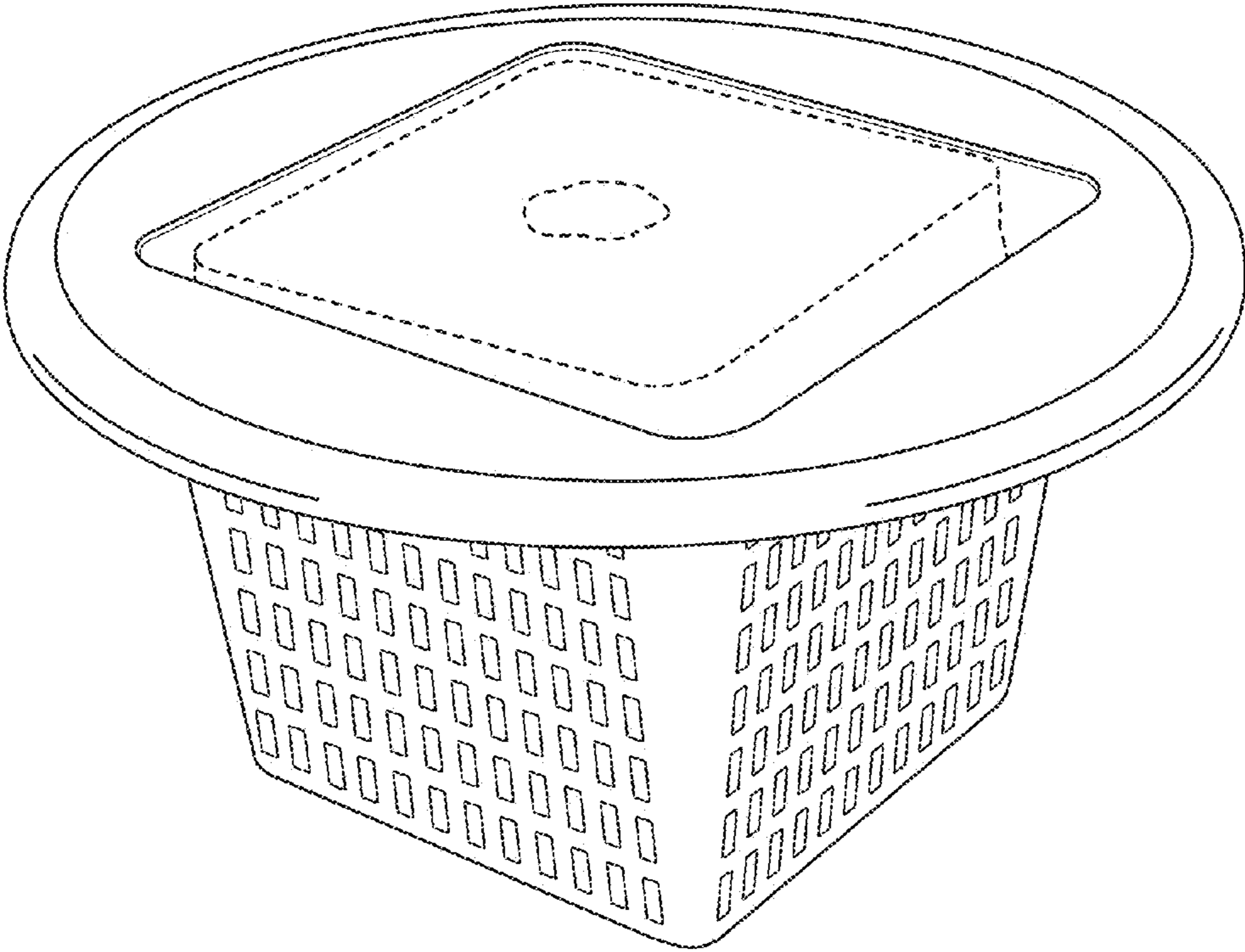


FIG. 1

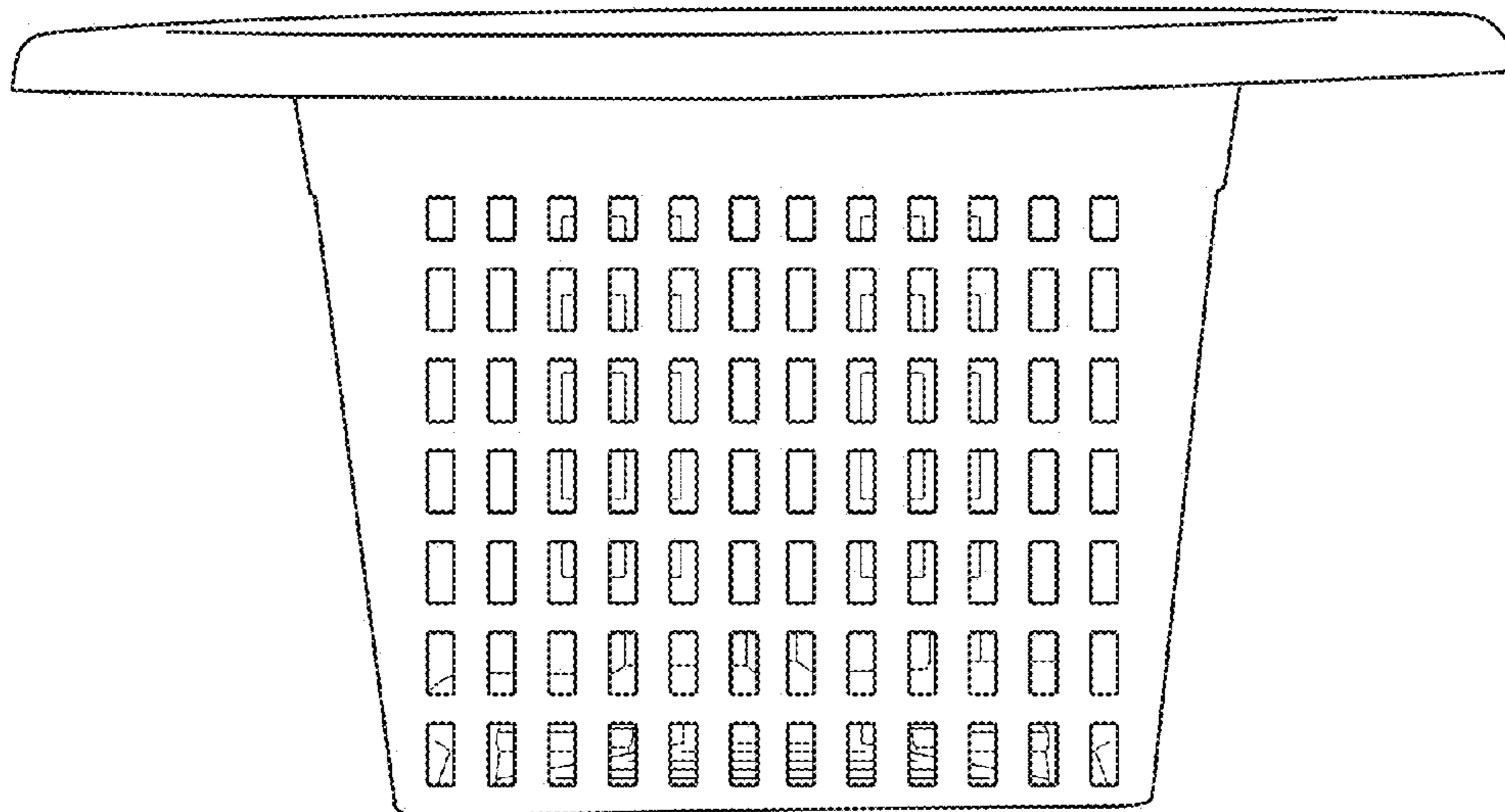


FIG. 2

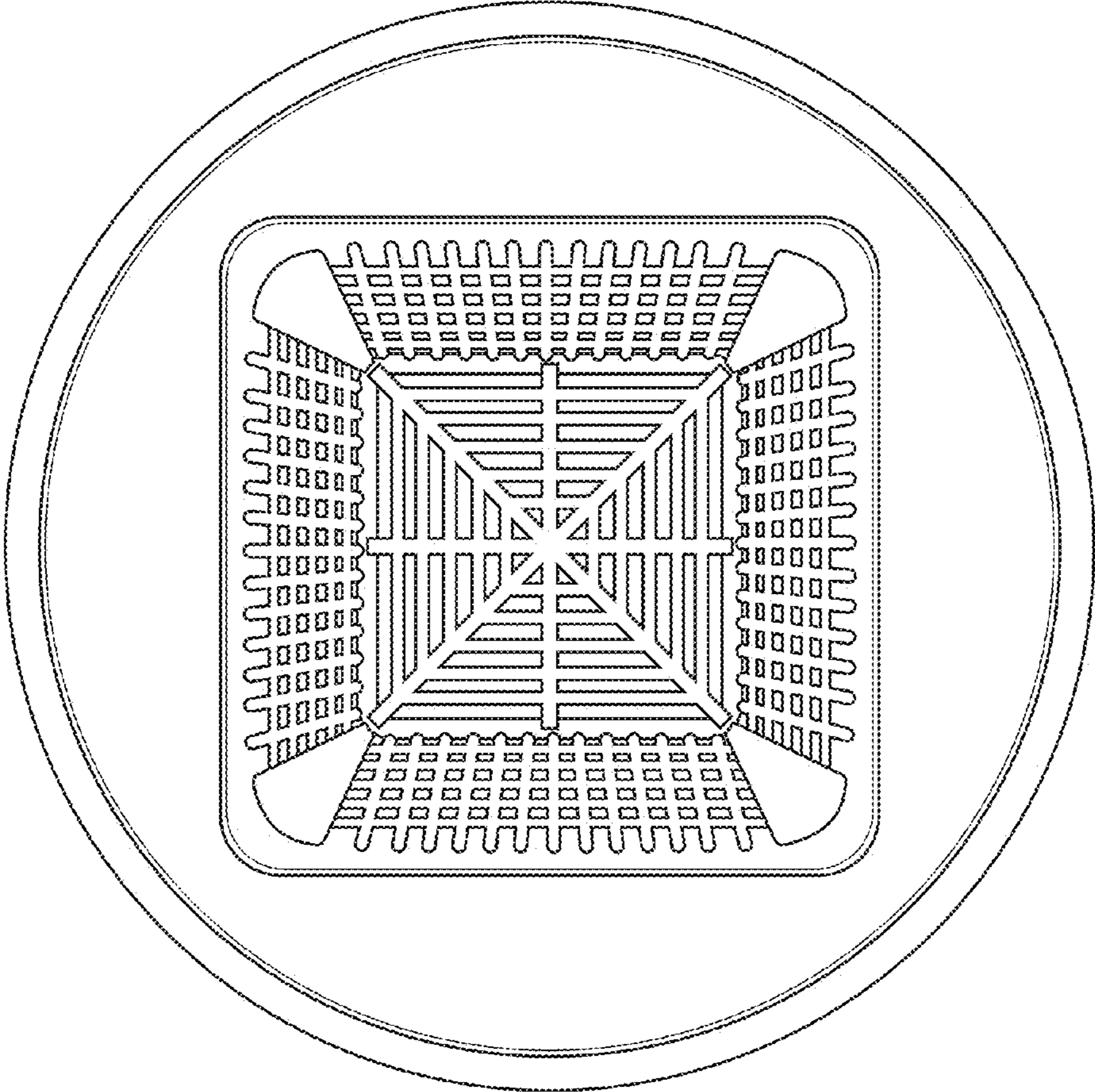


FIG. 3

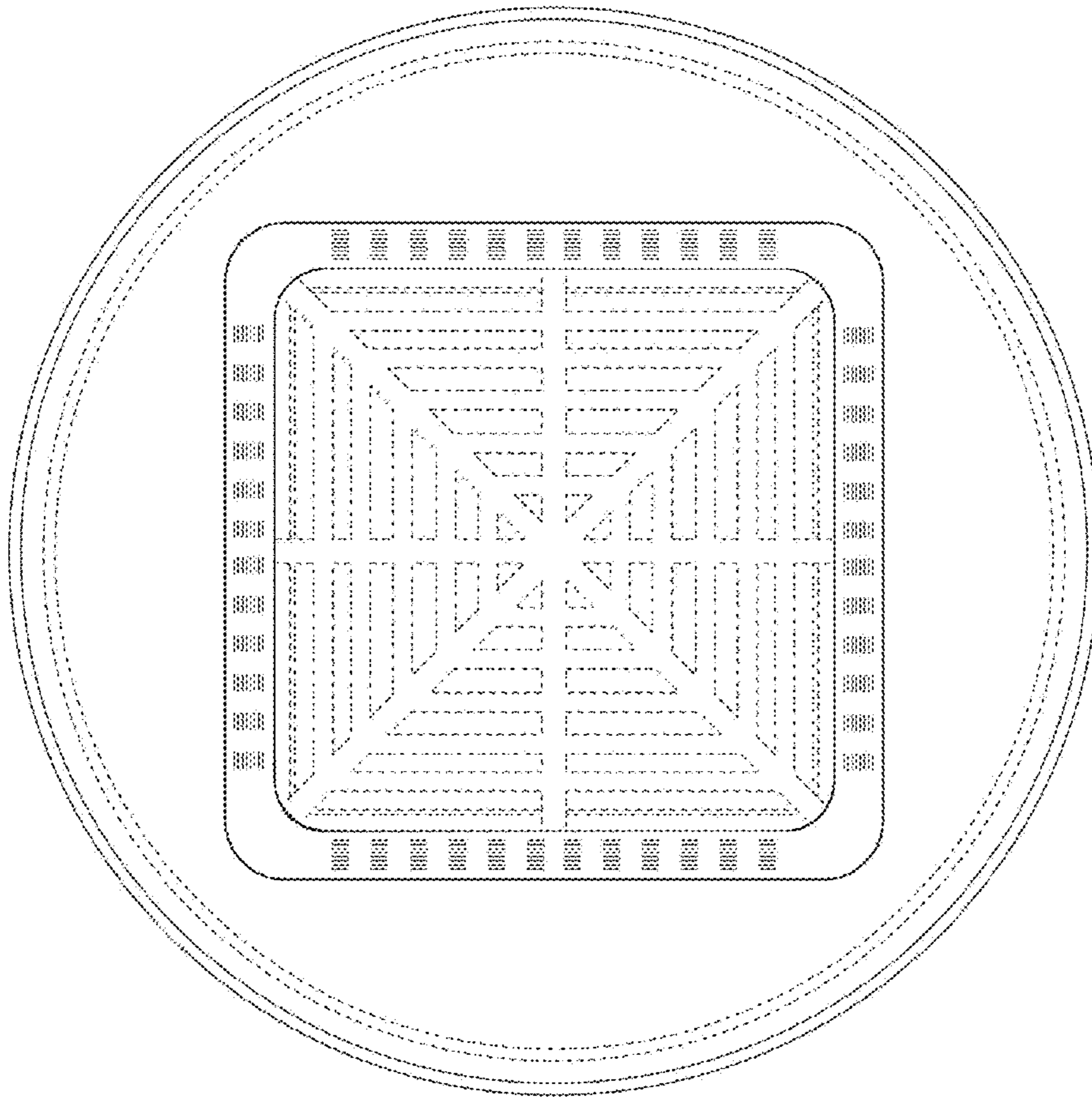


FIG. 4