



US00D730769S

(12) **United States Design Patent**  
**Rodriguez**

(10) **Patent No.:** **US D730,769 S**

(45) **Date of Patent:** **\*\* Jun. 2, 2015**

(54) **CORNER FLOWER POT CONTAINER**

(56) **References Cited**

(71) Applicant: **Manuel M Rodriguez**, Carnaxide (PT)

U.S. PATENT DOCUMENTS

(72) Inventor: **Manuel M Rodriguez**, Carnaxide (PT)

D284,320 S *	6/1986	Kubic et al. ....	D34/1
D297,601 S *	9/1988	Grossman et al. ....	D6/556
D308,076 S *	5/1990	Gecchelin .....	D19/85
D501,886 S *	2/2005	Chen et al. ....	D19/85
D547,805 S *	7/2007	Killinger et al. ....	D19/85
D573,917 S *	7/2008	Bigoski .....	D11/143
D579,374 S *	10/2008	Boyette et al. ....	D6/556
D586,972 S *	2/2009	Yang et al. ....	D34/7
D665,844 S *	8/2012	Chuang .....	D19/77
D691,390 S *	10/2013	Cunningham et al. ....	D6/556
2013/0118074 A1 *	5/2013	Fulbrook .....	47/62 N

(73) Assignee: **QUIZCAMP—FABRICO E  
COMERCIO DE PRODUTOS  
ALIMENTARES, S.A.**, Lisboa (PT)

(\*\*) Term: **14 Years**

\* cited by examiner

(21) Appl. No.: **29/450,458**

(22) Filed: **Mar. 18, 2013**

*Primary Examiner* — Robert M Spear

*Assistant Examiner* — Marissa J Cash

(30) **Foreign Application Priority Data**

(74) *Attorney, Agent, or Firm* — Baker and Rannells, PA

Sep. 17, 2012 (EM) ..... 002104422-001

(51) **LOC (10) Cl.** ..... **11-02**

(57) **CLAIM**

The ornamental design for a corner flower pot container, as shown and described.

(52) **U.S. Cl.**

**DESCRIPTION**

USPC ..... **D11/143**

(58) **Field of Classification Search**

USPC ..... D6/300, 306, 403–405, 556–558;  
D7/300, 500, 509; D8/1;  
D11/143–156, 164; D25/100;  
D26/9–11, 16, 19; D34/1, 2, 4–6;  
D99/5, 19; 47/17, 32.4, 32.5, 32.7, 33,  
47/39, 41.01, 41.1, 41.11–41.15, 44–46,  
47/62, 63, 65.5, 65.9, 66.1, 66.2, 66.6,  
47/66.7, 67–71

FIG. 1 is a front elevational view of the object of the new design;

FIG. 2 a side elevation view thereof;

FIG. 3 is a rear elevational view thereof;

FIG. 4 is a bottom plan view thereof;

FIG. 5 is a top plan view thereof;

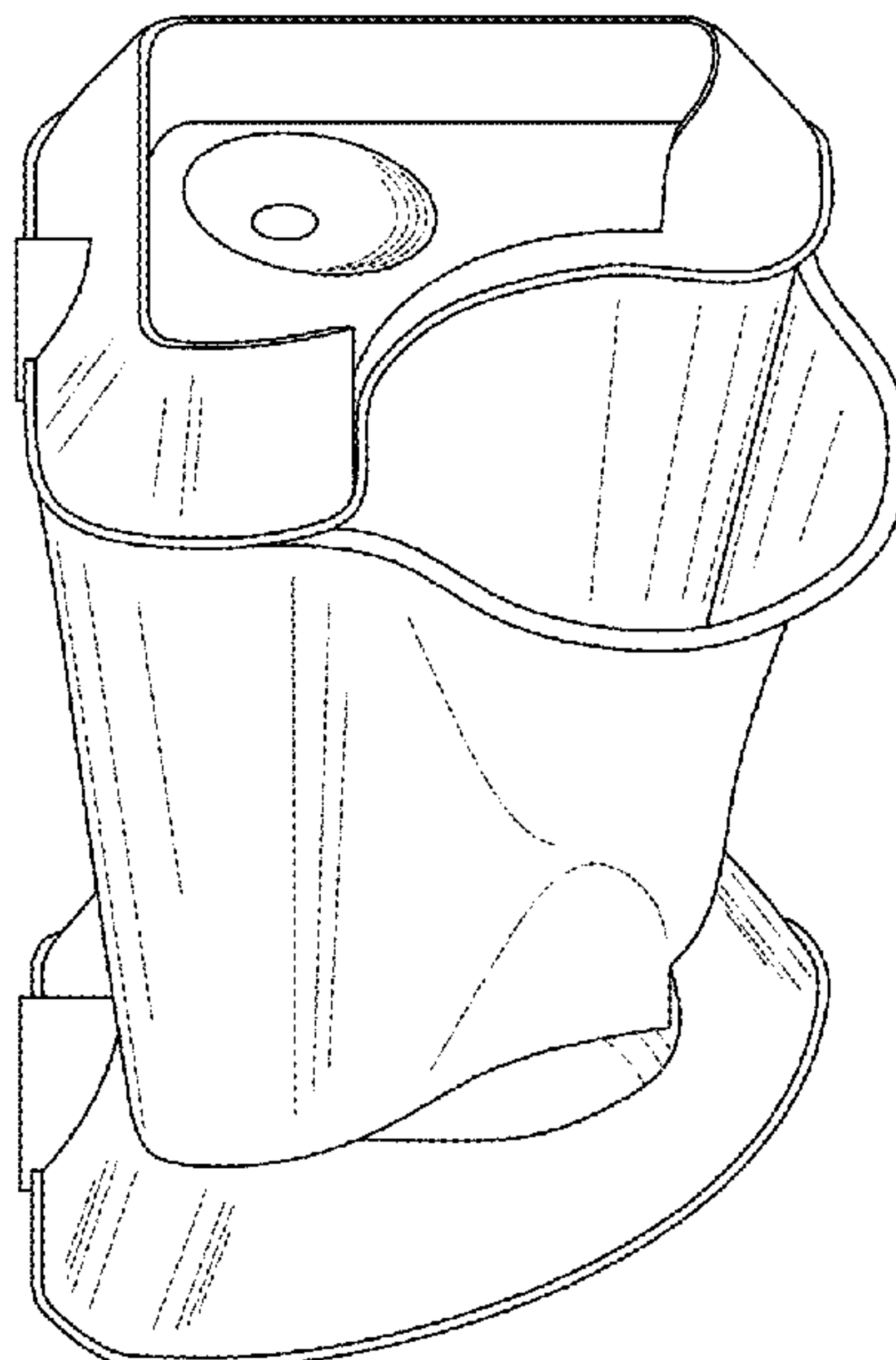
FIG. 6 is a perspective view thereof; and,

FIG. 7 is an exploded view thereof.

Elements shown in broken lines do not constitute required part of the claimed design.

See application file for complete search history.

**1 Claim, 7 Drawing Sheets**



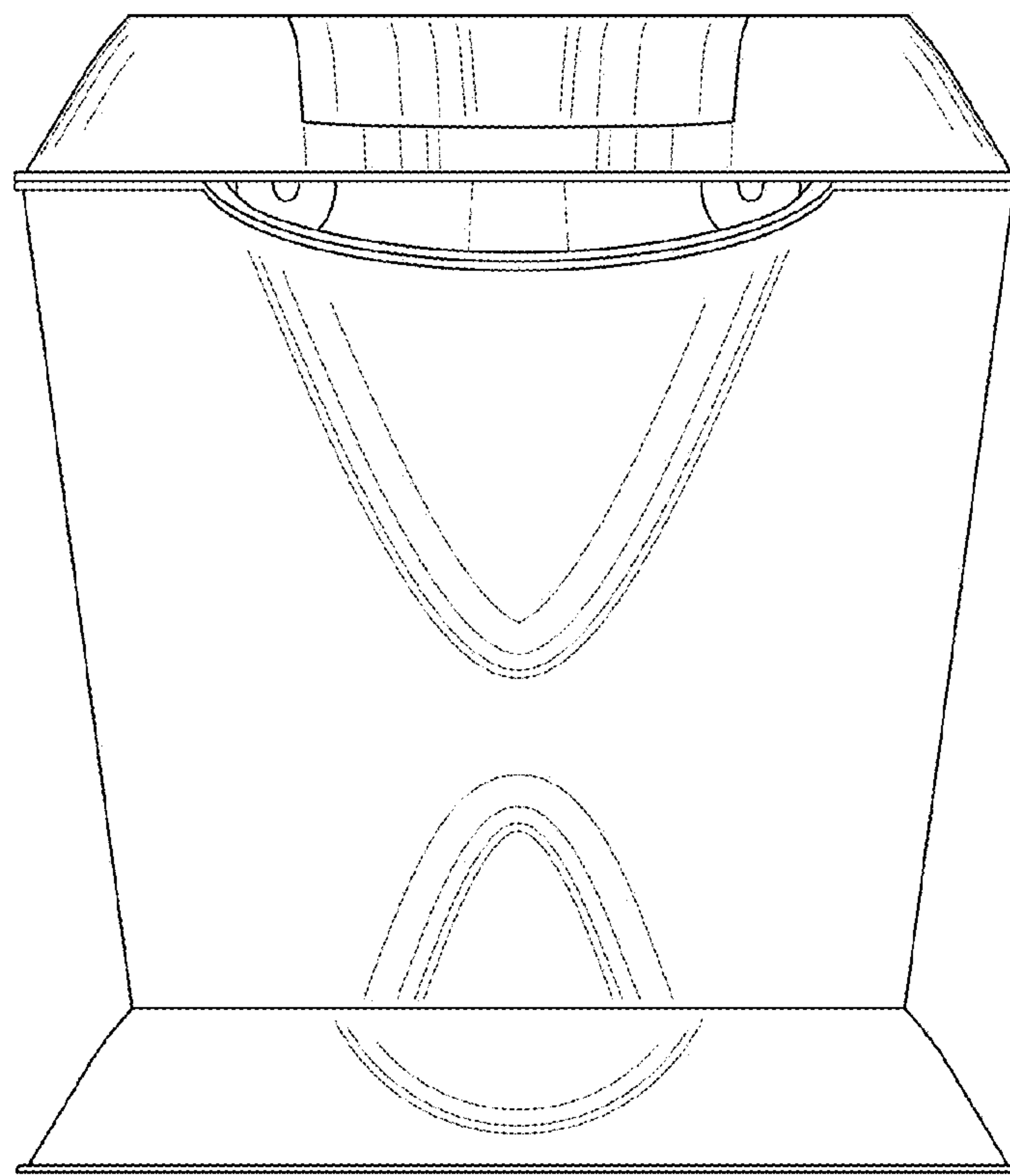


Fig. 1

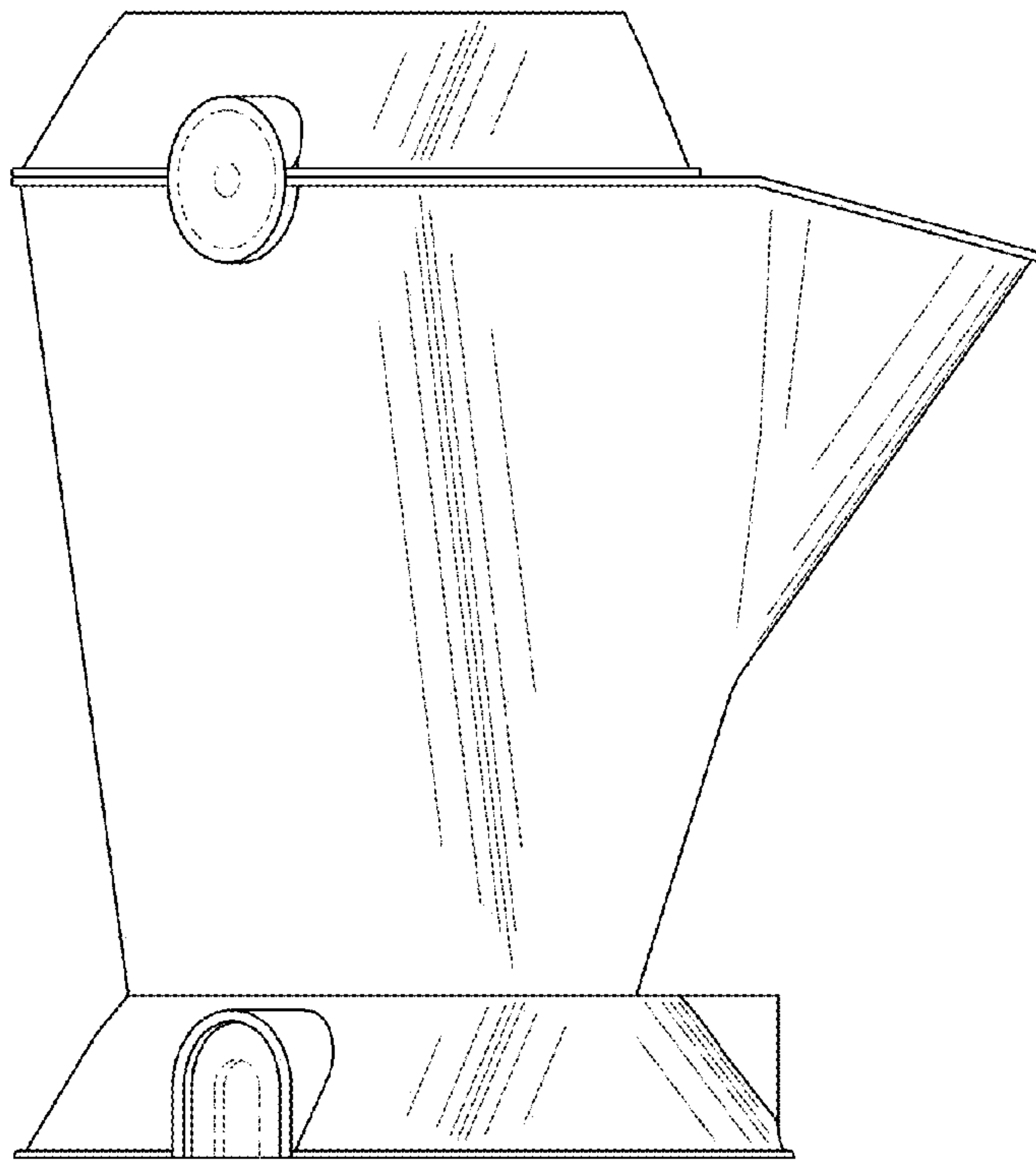


Fig. 2

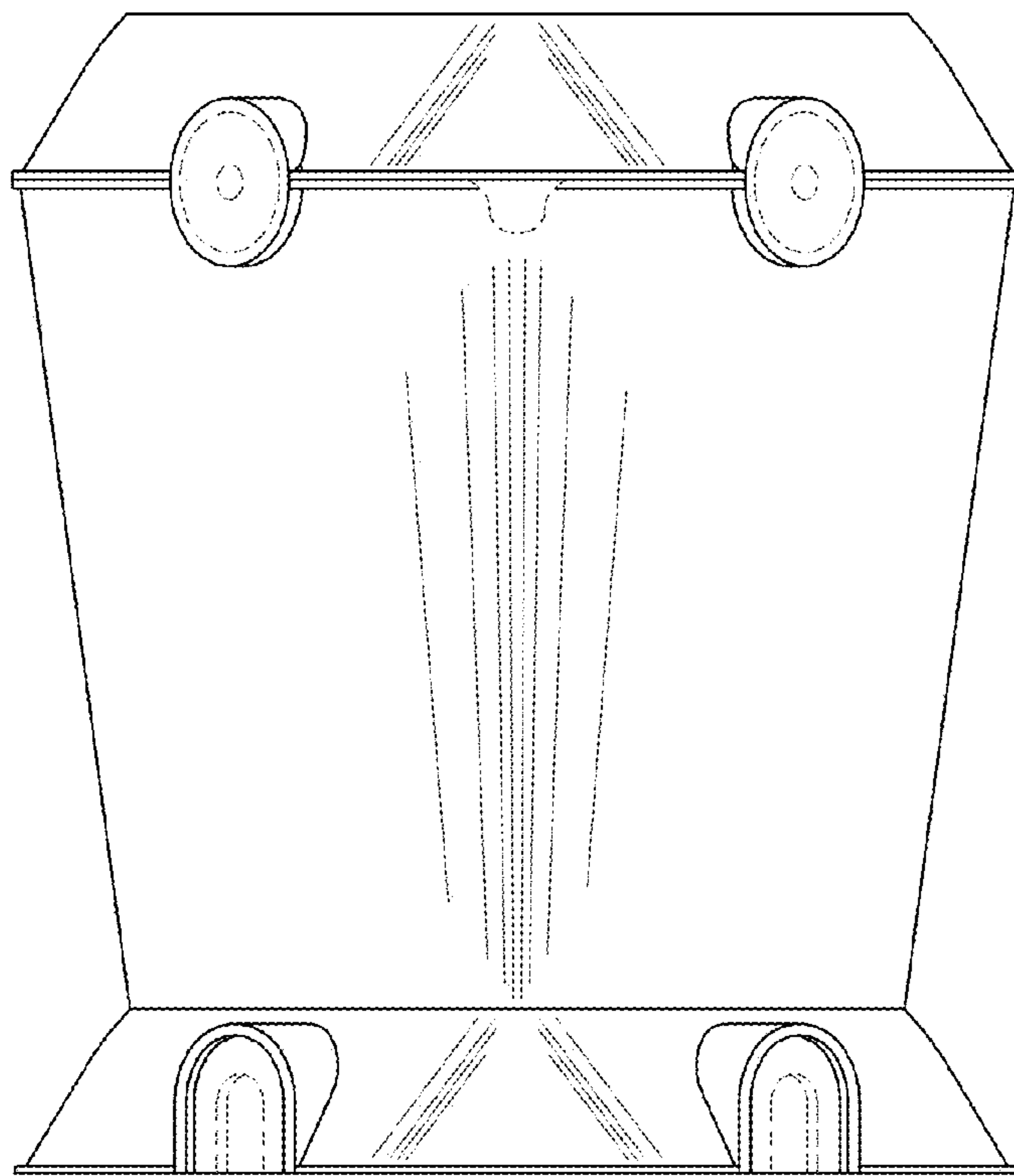


Fig. 3

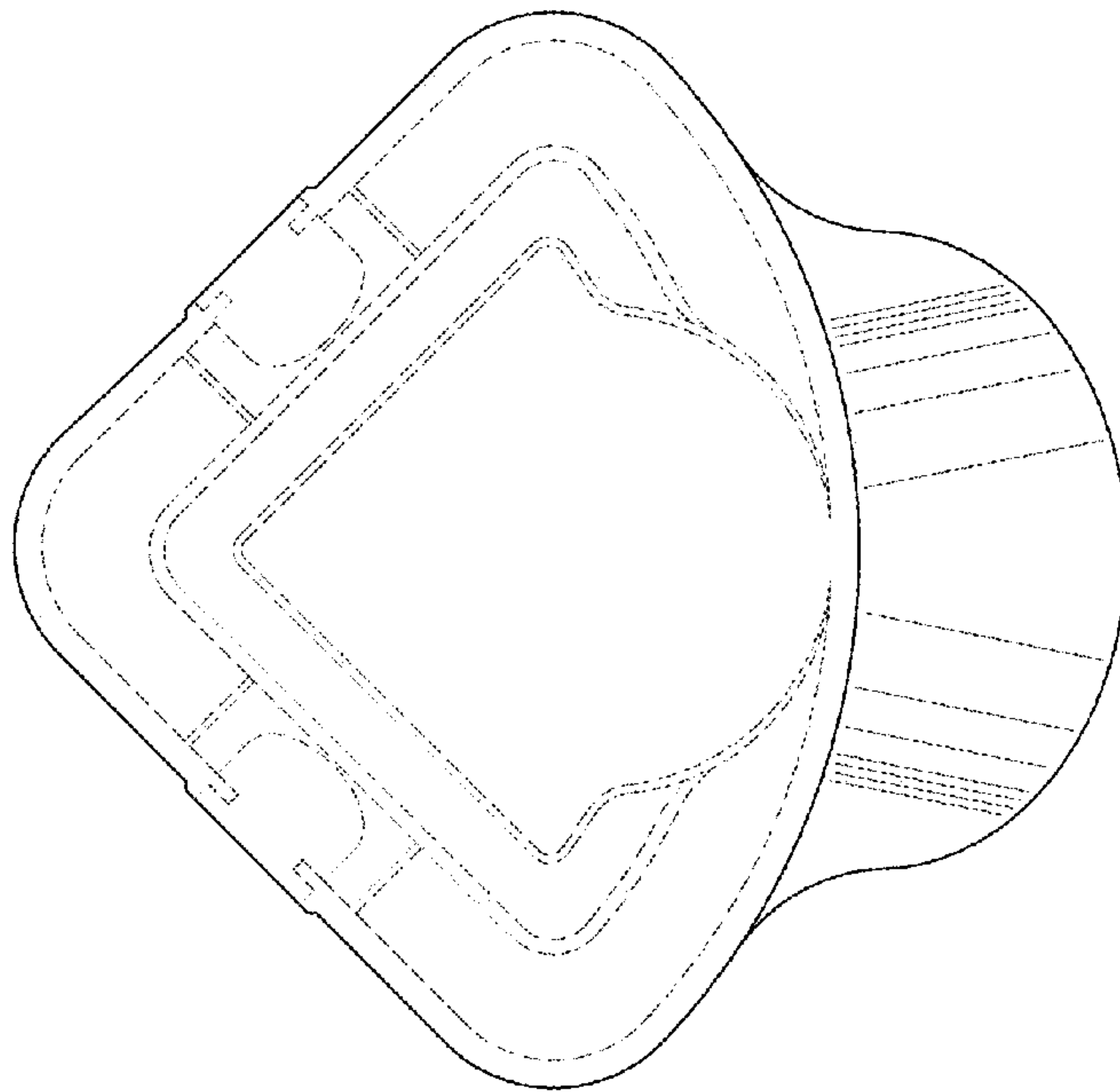


Fig. 4

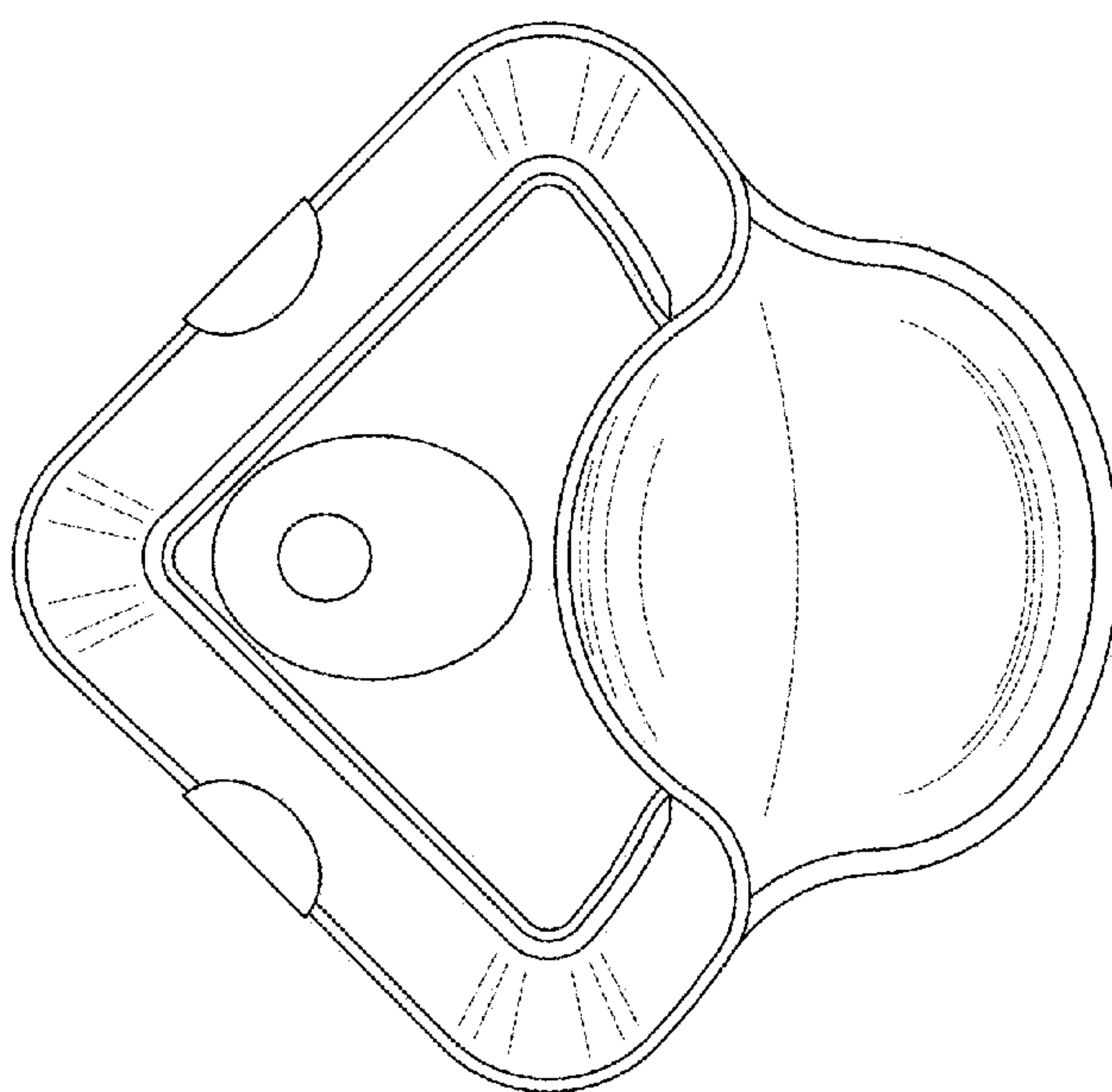


Fig. 5

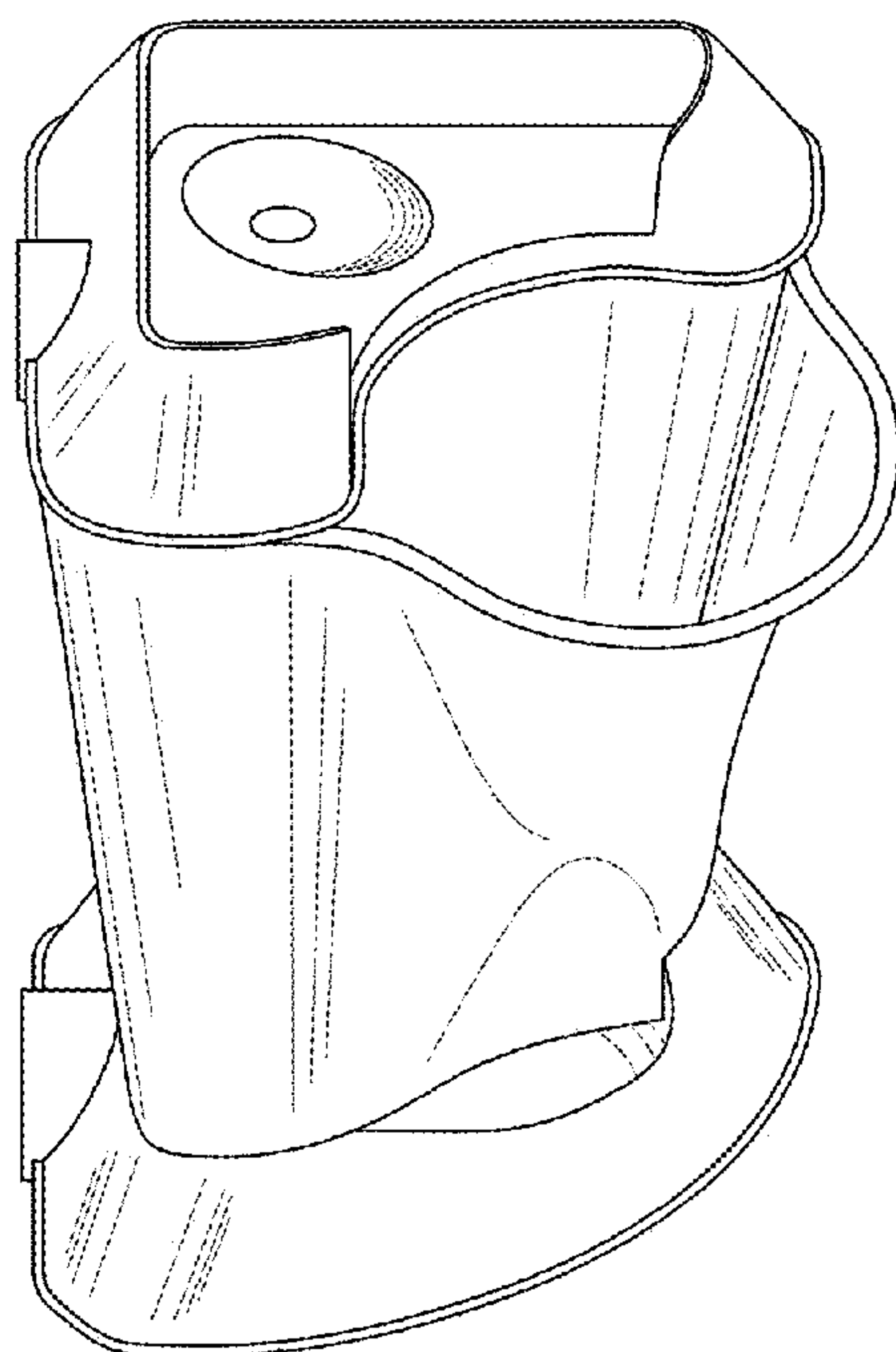


Fig. 6



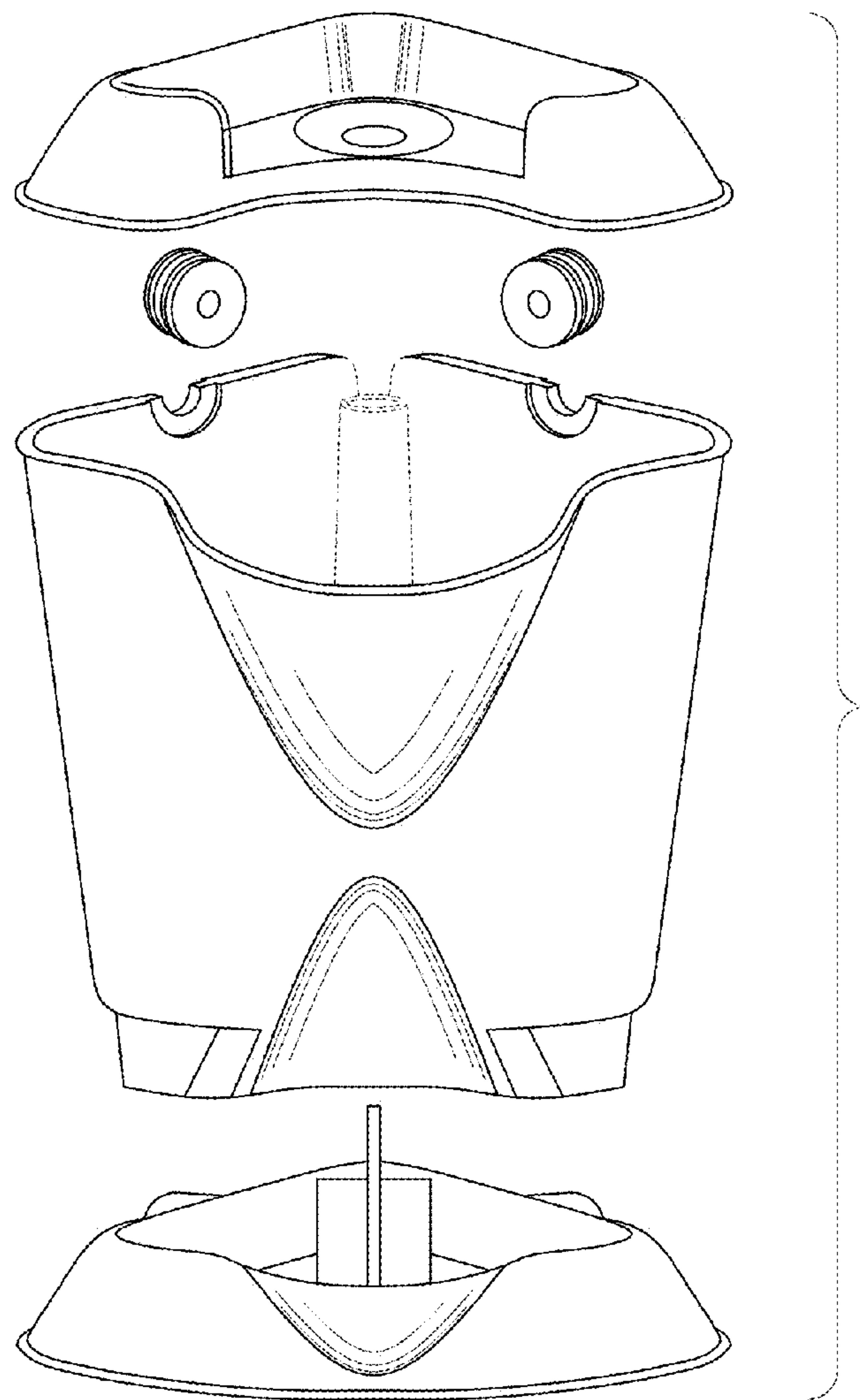


Fig. 7