



US00D730765S

(12) **United States Design Patent**
Guichot

(10) **Patent No.:** **US D730,765 S**
(45) **Date of Patent:** **** Jun. 2, 2015**

(54) **BRACELET**
(71) Applicant: **Balenciaga**, Paris (FR)
(72) Inventor: **Isabelle Guichot**, Paris (FR)
(73) Assignee: **BALENCIAGA**, Paris (FR)

D619,026 S * 7/2010 Papadimitriou D11/4
D621,737 S * 8/2010 Marks D11/35
D622,626 S * 8/2010 Ventura D11/26
D625,217 S * 10/2010 Hardy D11/26
D625,218 S * 10/2010 Hardy D11/26
D630,963 S * 1/2011 Papadimitriou D11/4
D635,477 S * 4/2011 Ventura D11/26
D635,478 S * 4/2011 Ventura D11/26

(**) Term: **14 Years**
(21) Appl. No.: **29/483,484**
(22) Filed: **Feb. 28, 2014**

OTHER PUBLICATIONS

[Online] <http://www.barneys.com/on/demandware.store/Sites-BNY-Site/default/Product-Show?pid=00505033851723&cgid=womens-jewelry&index=12>. Retrieved Feb. 18, 2015.*

* cited by examiner

(30) **Foreign Application Priority Data**
Jan. 23, 2014 (EM) 002390690-0001
Jan. 23, 2014 (EM) 002390690-0002

Primary Examiner — Jennifer Rivard
Assistant Examiner — Melanie Pellegrini
(74) *Attorney, Agent, or Firm* — Donald J. Ranft; Kristen A. Mogavero; Collen IP

(51) **LOC (10) Cl.** **11-01**
(52) **U.S. Cl.**
USPC **D11/4; D11/27**
(58) **Field of Classification Search**
USPC D11/1-39; 63/1.11, 15, 15.1-15.4,
63/15.45, 15.5, 15.6, 15.65, 15.7, 3, 3.1,
63/3.2, 4, 6
See application file for complete search history.

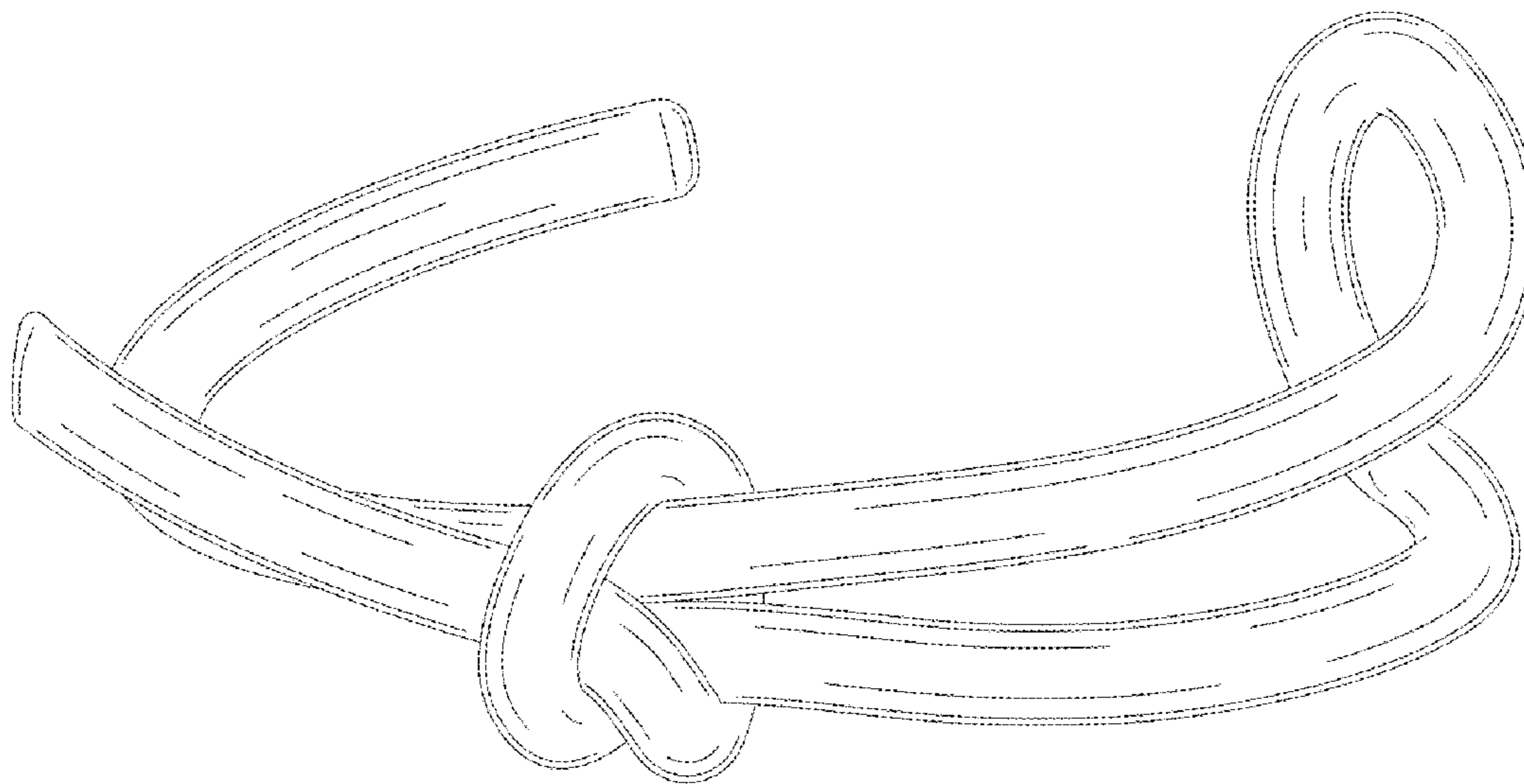
(57) **CLAIM**
The ornamental design for bracelet, as shown.

DESCRIPTION

FIG. 1 is a top front perspective view of a bracelet showing my new design;
FIG. 2 is a bottom rear perspective view thereof;
FIG. 3 is a perspective view thereof;
FIG. 4 is a top view thereof;
FIG. 5 is a bottom view thereof;
FIG. 6 is a left side view thereof;
FIG. 7 is a right side view thereof;
FIG. 8 is a front view thereof; and,
FIG. 9 is a rear view thereof.

(56) **References Cited**
U.S. PATENT DOCUMENTS
D20,739 S * 5/1891 Beach D11/26
D45,163 S * 1/1914 Sweet D11/4
D465,173 S * 11/2002 Gordon D11/26
D491,832 S * 6/2004 Gordon D11/26
D591,634 S * 5/2009 Gorman D11/4
D602,803 S * 10/2009 Gruosi D11/27

1 Claim, 5 Drawing Sheets



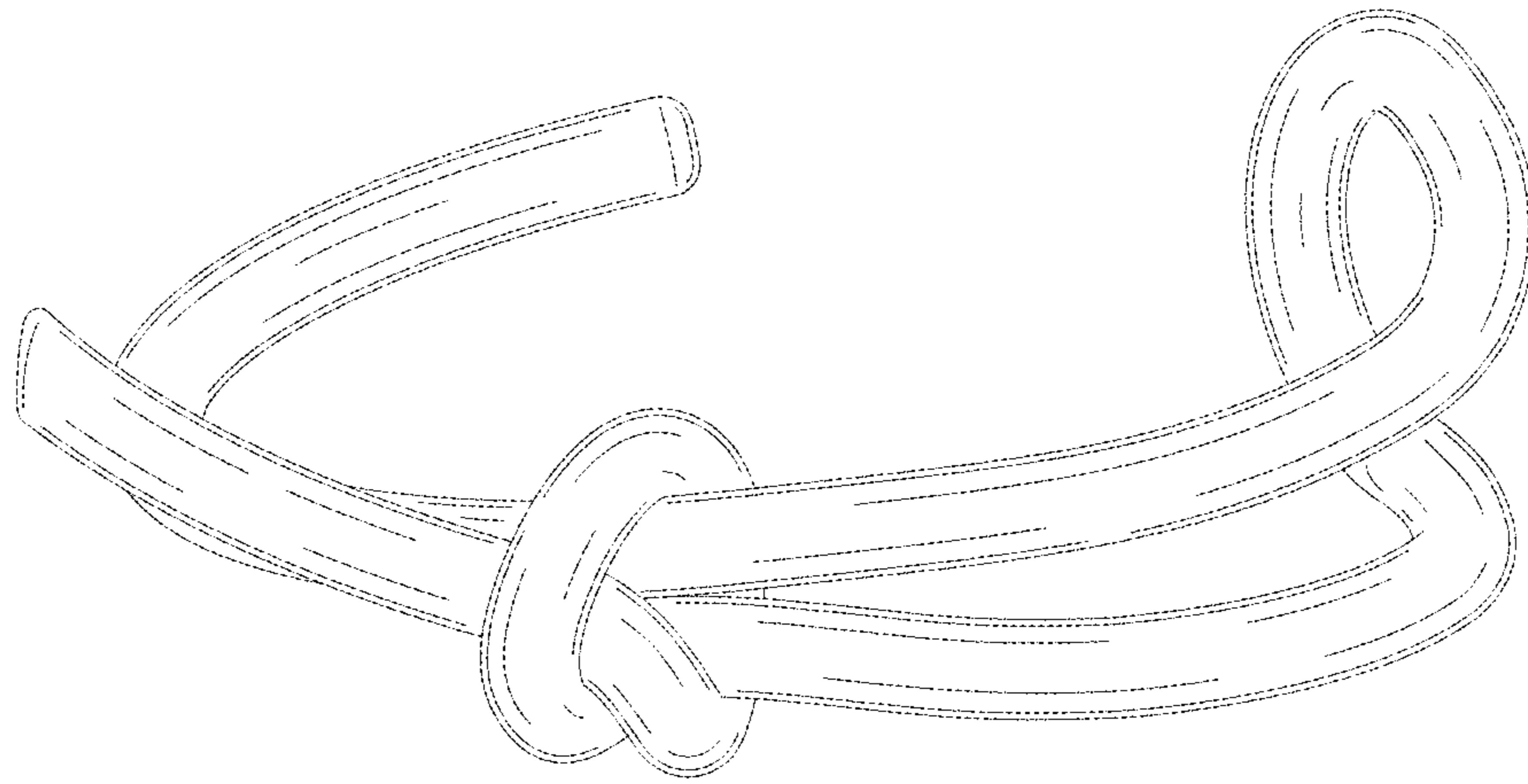


FIG. 1

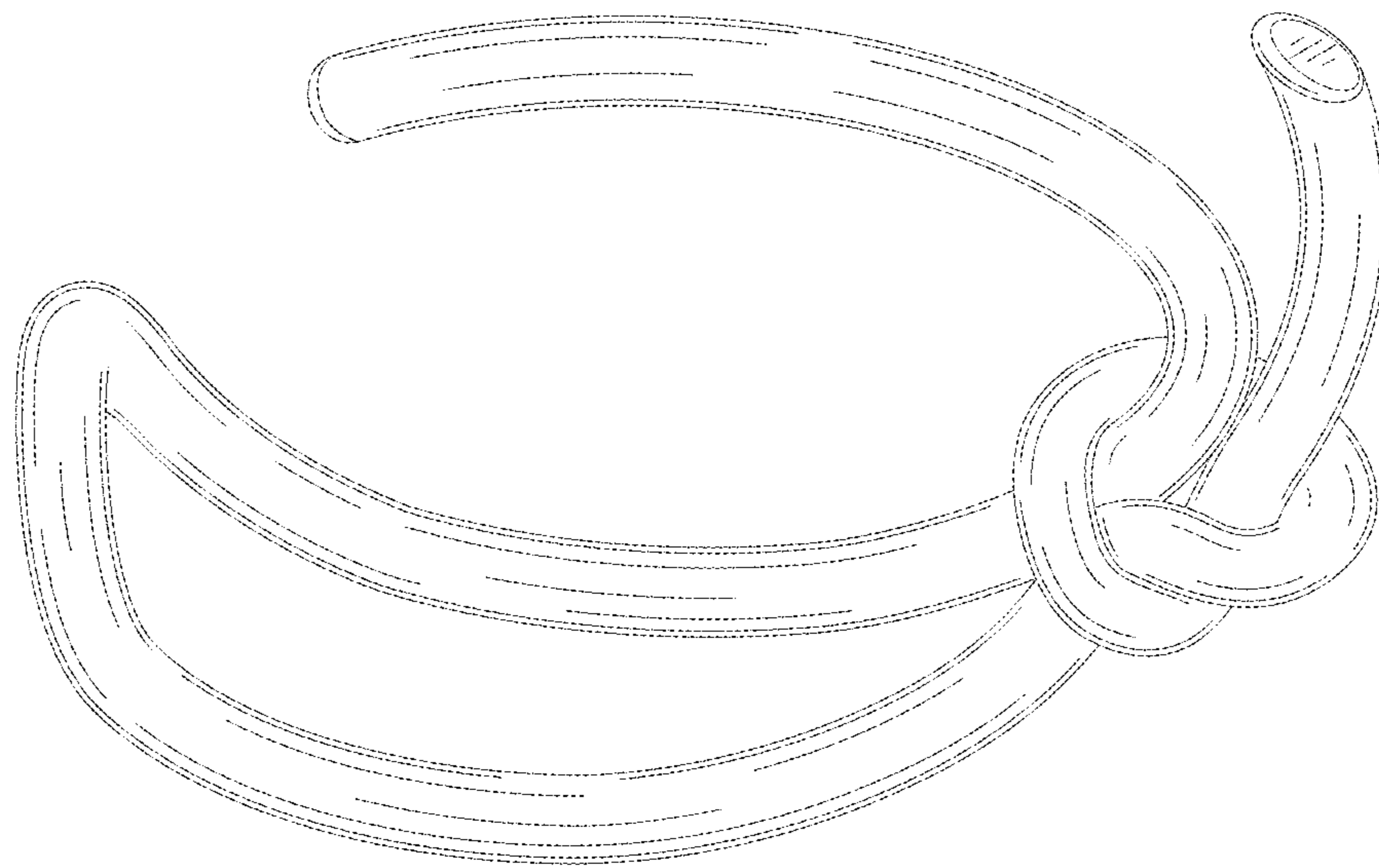


FIG. 2

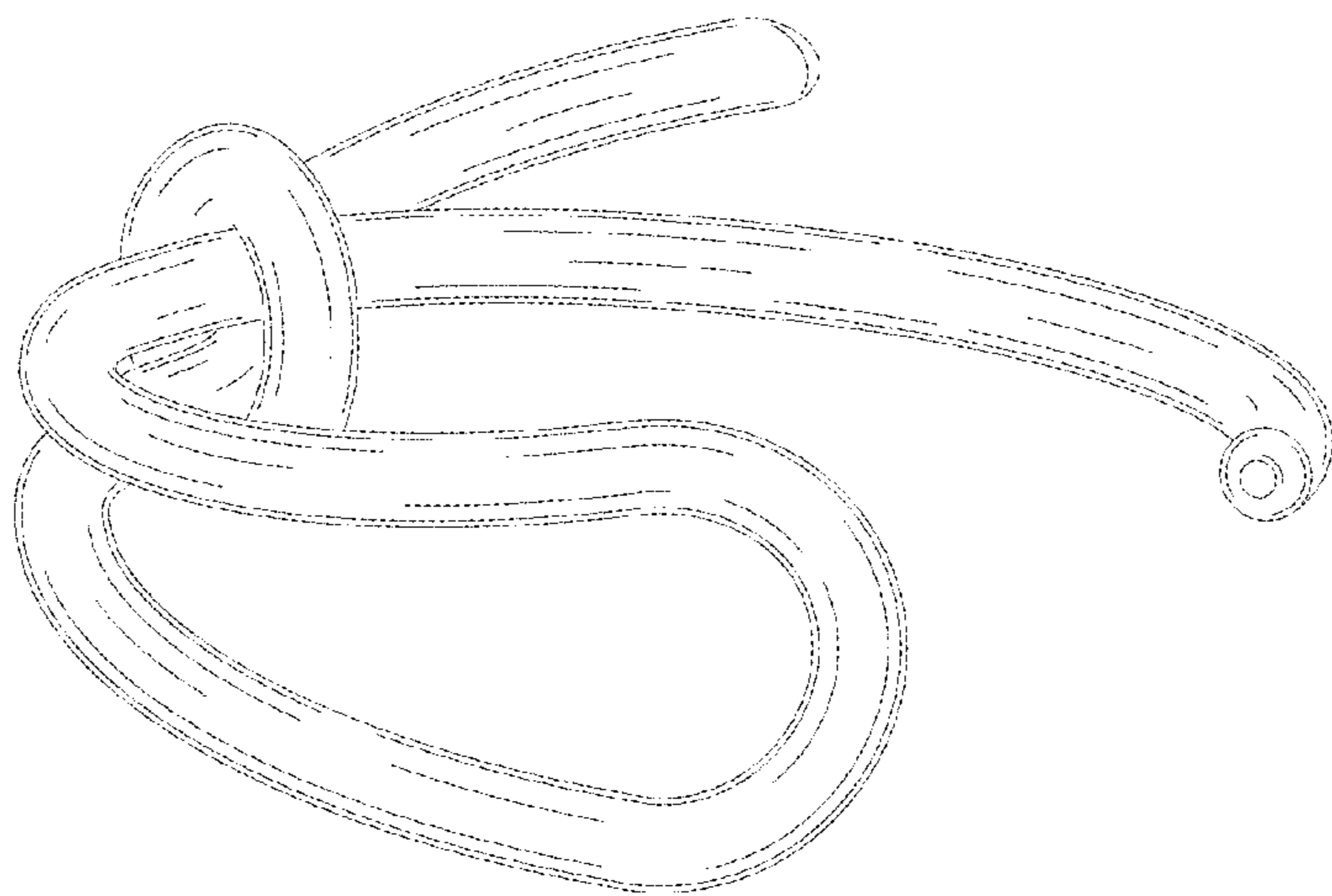


FIG. 3

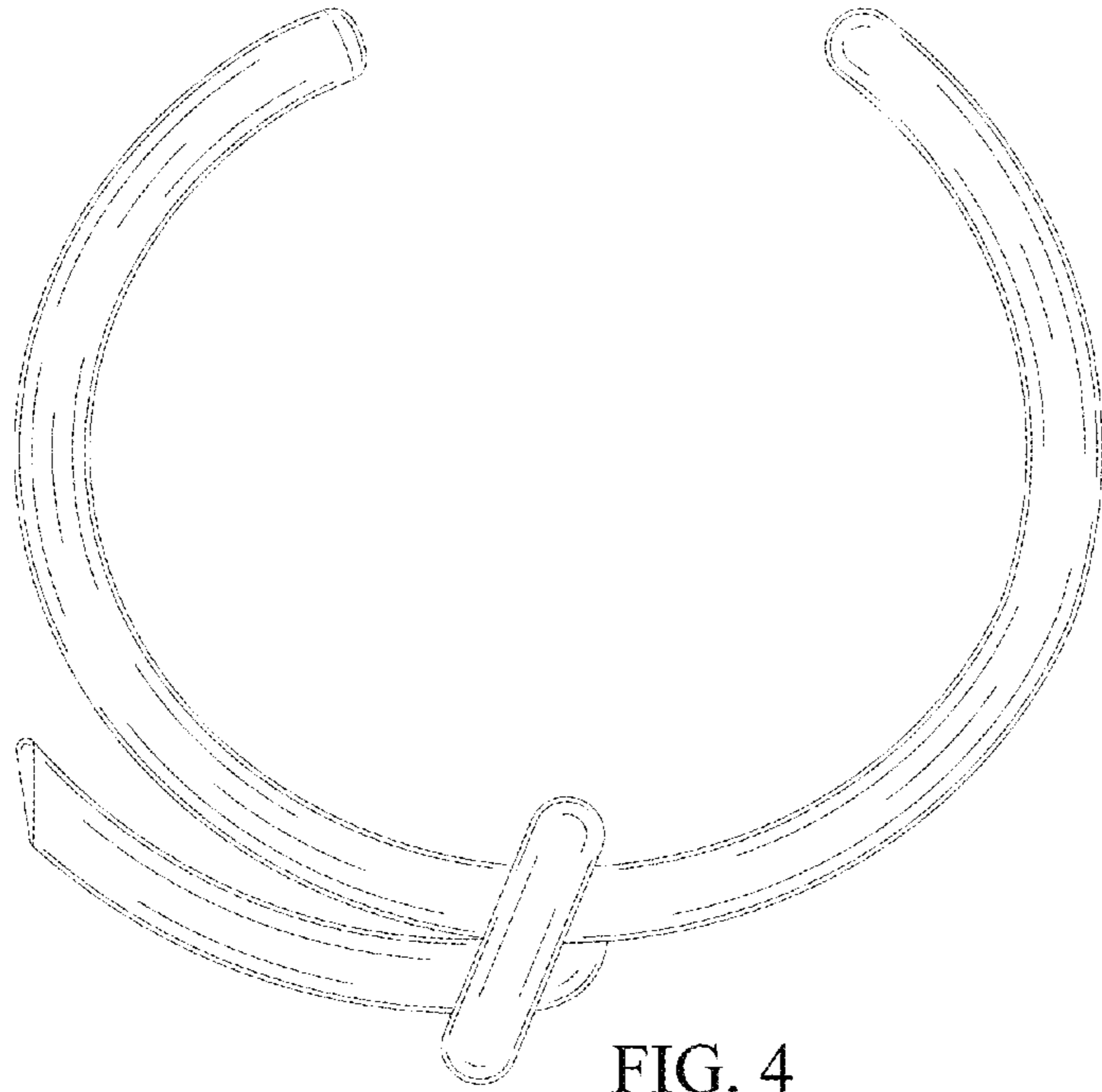


FIG. 4

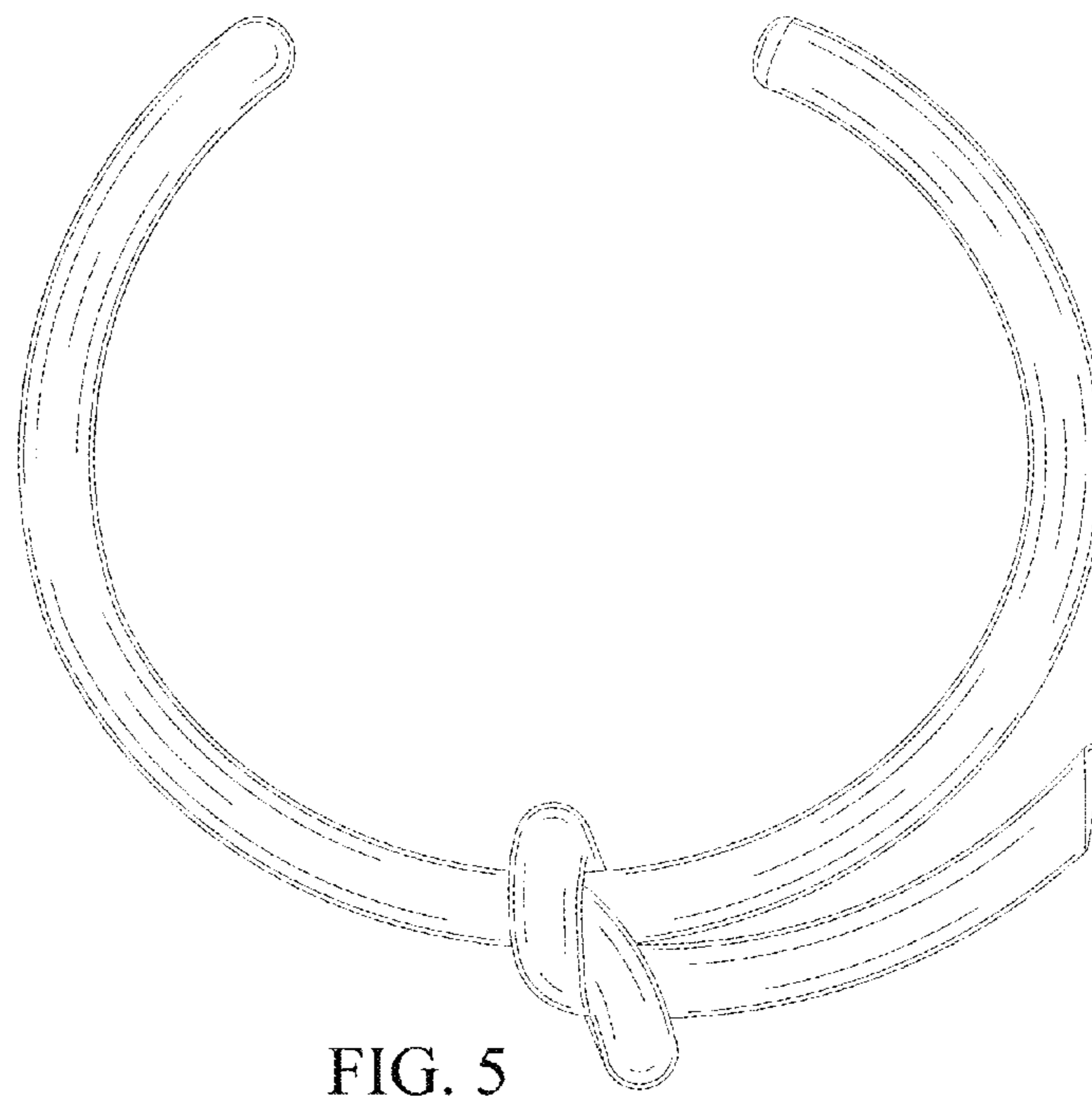


FIG. 5

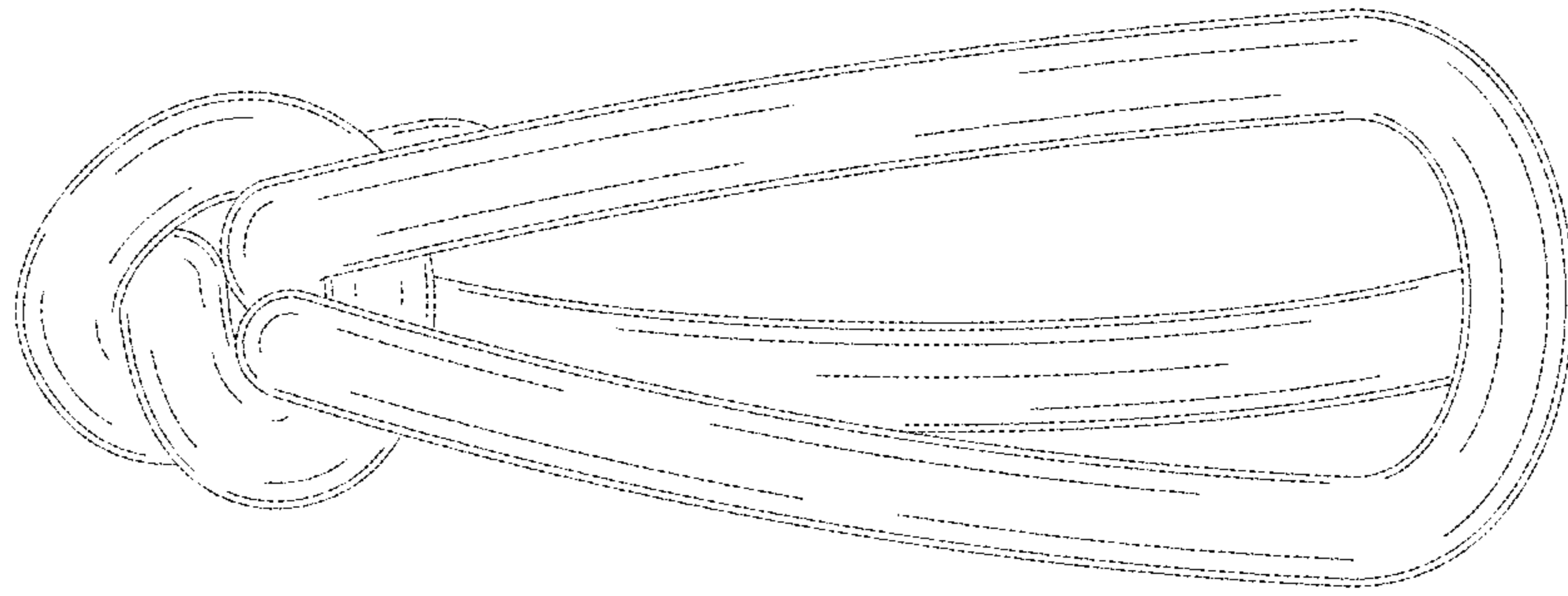


FIG. 6

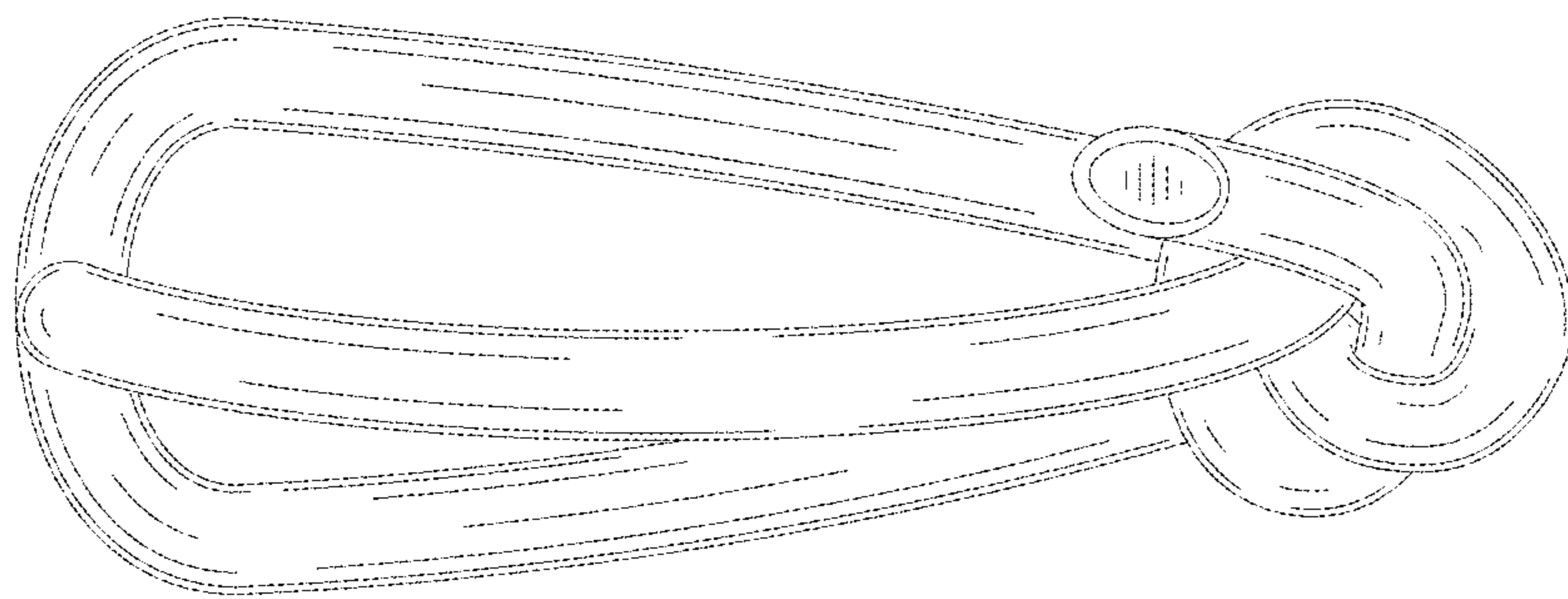


FIG. 7

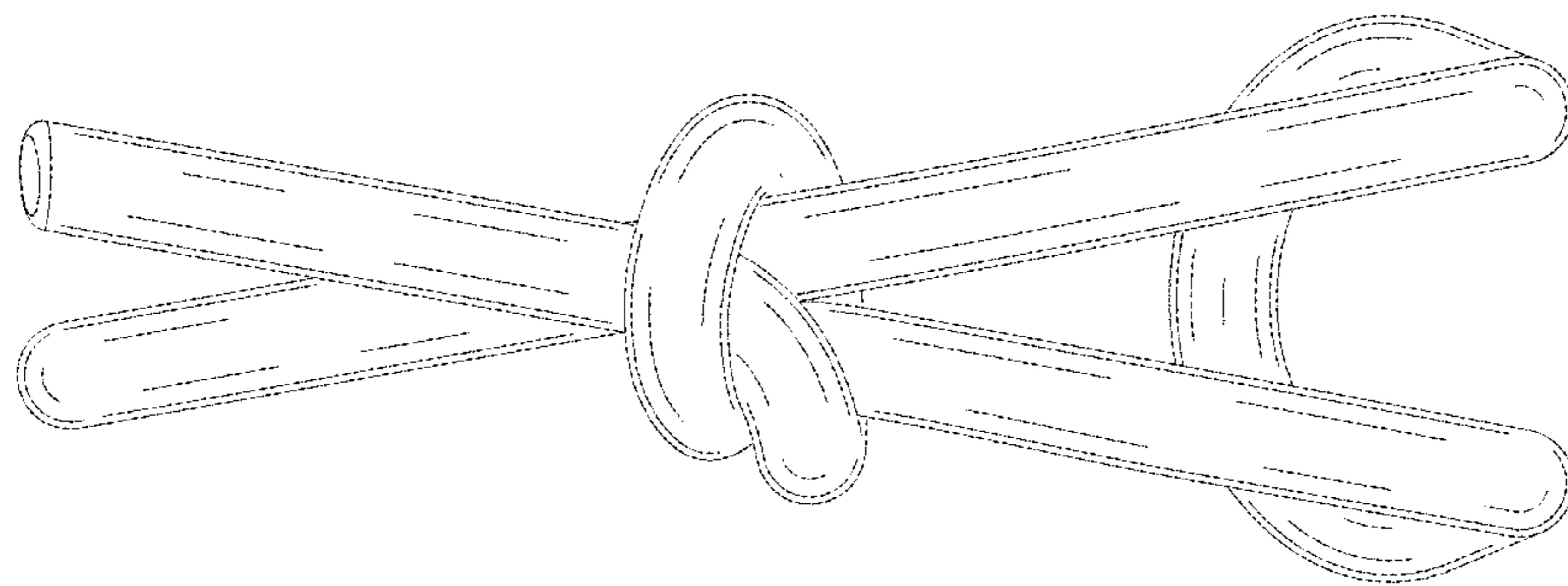


FIG. 8

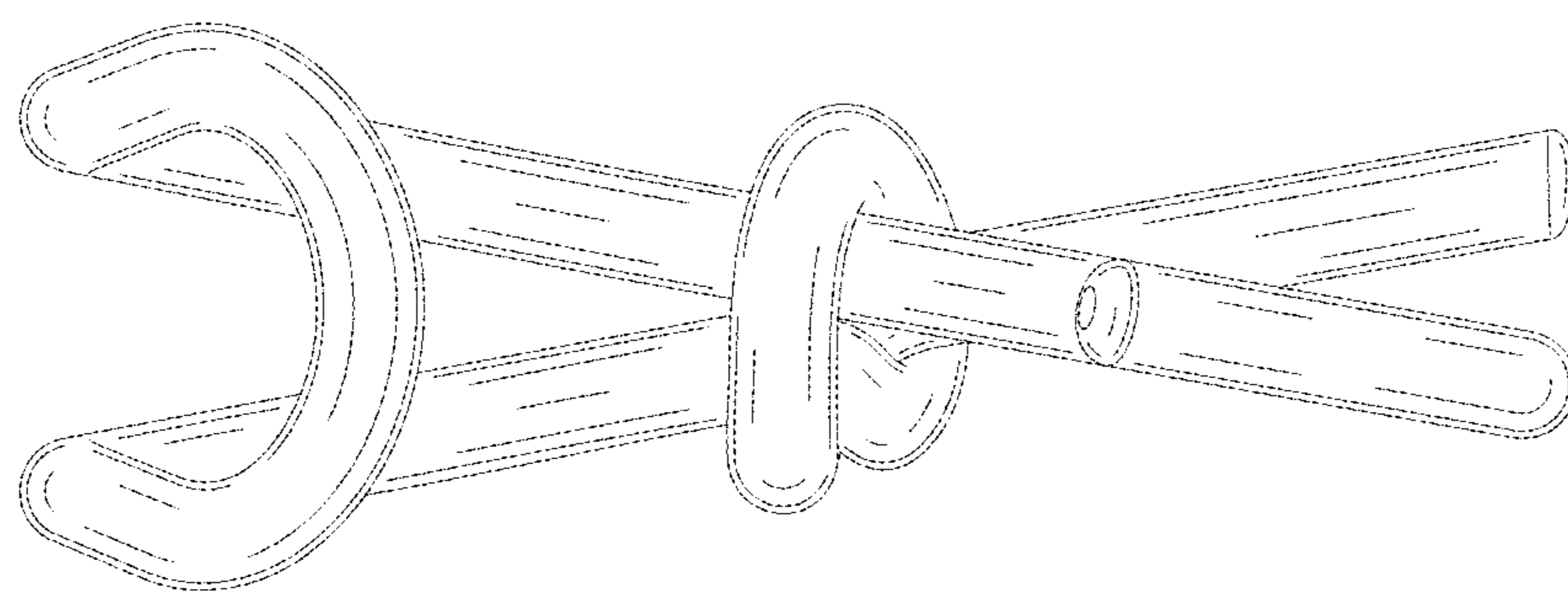


FIG. 9