



US00D730764S

(12) **United States Design Patent**
Graf

(10) **Patent No.:** **US D730,764 S**
(45) **Date of Patent:** **** Jun. 2, 2015**

- (54) **WATCH BALANCE WHEEL**
- (71) Applicant: **NIVAROX-FAR S.A., Le Locle (CH)**
- (72) Inventor: **Emmanuel Graf, Le Locle (CH)**
- (73) Assignee: **NIVAROX-FAR S.A., Le Locle (CH)**
- (**) Term: **14 Years**
- (21) Appl. No.: **29/475,751**
- (22) Filed: **Dec. 6, 2013**

631,103	A *	8/1899	Borel	368/171
2,770,942	A *	11/1956	Favret	368/171
2,806,344	A *	9/1957	Schoenrock	368/175
3,262,260	A *	7/1966	Perrot-Audet	368/170
3,517,503	A *	6/1970	Kaulins et al.	368/175
3,534,546	A *	10/1970	Le Van	368/164
3,548,586	A *	12/1970	Klinck	368/169
6,666,575	B2 *	12/2003	Scheufele	368/127
7,237,945	B2 *	7/2007	Geyer	368/178
7,661,875	B2 *	2/2010	Verardo et al.	368/171
7,927,008	B2 *	4/2011	Colpo et al.	368/127
D650,303	S *	12/2011	Greubel et al.	D10/128
D650,717	S *	12/2011	Greubel et al.	D10/128
8,491,183	B2 *	7/2013	Koda et al.	368/127
2014/0071796	A1 *	3/2014	Damasko	368/171

Related U.S. Application Data

- (62) Division of application No. 29/425,832, filed on Jun. 27, 2012, now Pat. No. Des. 700,535.

Foreign Application Priority Data

- Dec. 28, 2011 (WO) DM/077 419

- (51) **LOC (10) Cl.** **10-07**
- (52) **U.S. Cl.**
USPC **D10/129; D10/128**
- (58) **Field of Classification Search**
USPC D10/128, 129, 122, 30-39;
368/169-178, 127-133, 161-164, 158
CPC .. G04B 17/063; G04B 17/222; G04B 18/006;
G04C 3/061; G04C 3/06
See application file for complete search history.

References Cited

U.S. PATENT DOCUMENTS

57,310	A *	8/1866	French	368/132
165,793	A *	7/1875	Cole	368/132
387,973	A *	8/1888	Giles	368/171
455,787	A *	7/1891	Bilgram	368/171

FOREIGN PATENT DOCUMENTS

CH	322700	A *	6/1957	G04B 18/006
CH	698024	B1 *	4/2009	G04B 17/06
EP	2466396	*	6/2012	G04B 17/063
FR	1275357	A *	11/1961	G04B 17/063

* cited by examiner

Primary Examiner — Lucy Lieberman

(74) *Attorney, Agent, or Firm* — Donald J. Ranft; Kristen A. Mogavero; Collen IP

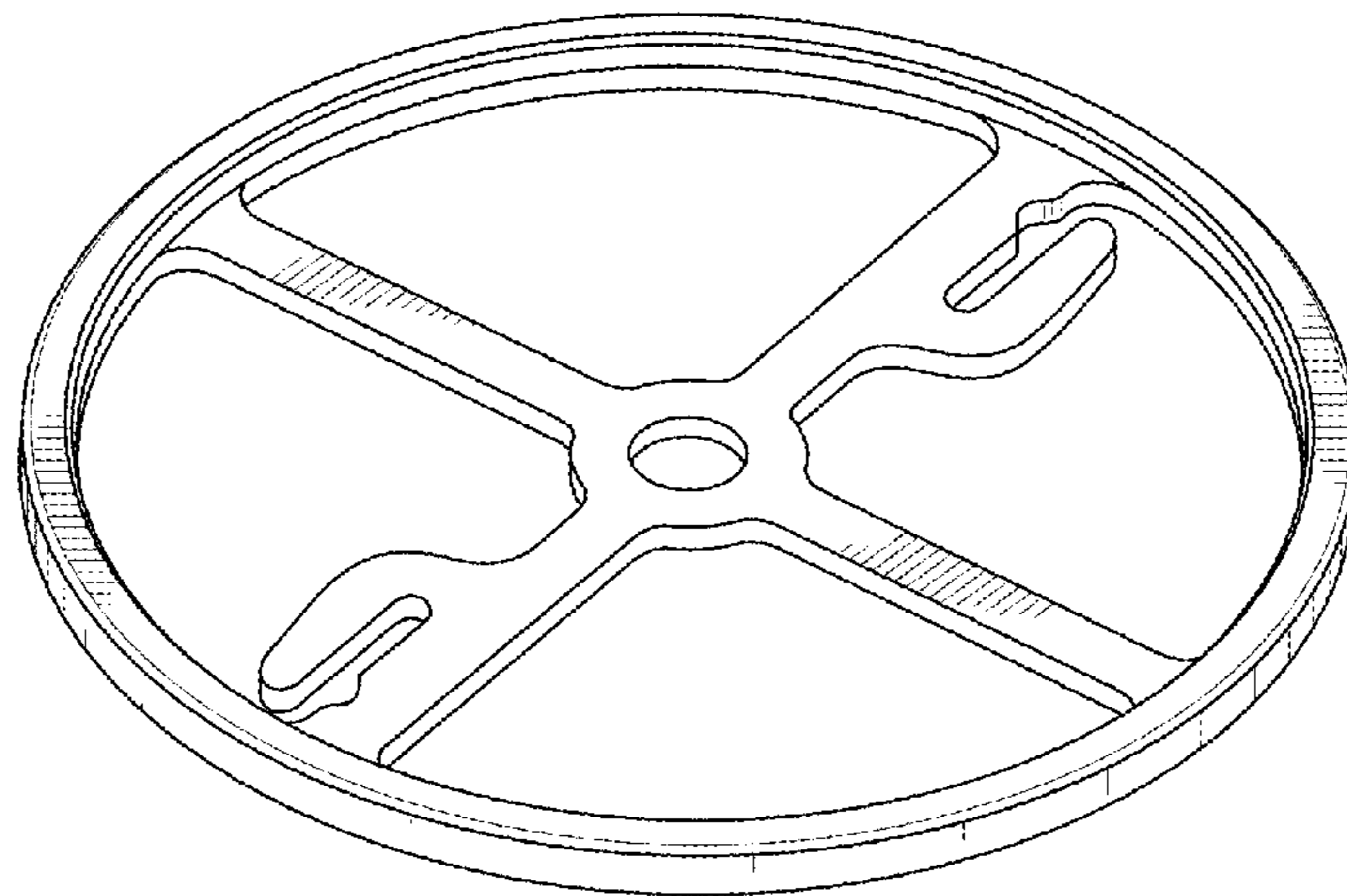
CLAIM

(57) The ornamental design for a watch balance wheel, as shown.

DESCRIPTION

FIG. 1 is a top perspective view of a watch balance wheel showing my new design;
 FIG. 2 is a bottom perspective view thereof;
 FIG. 3 is a side view thereof;
 FIG. 4 is a top view thereof; and,
 FIG. 5 is a bottom view thereof.

1 Claim, 3 Drawing Sheets



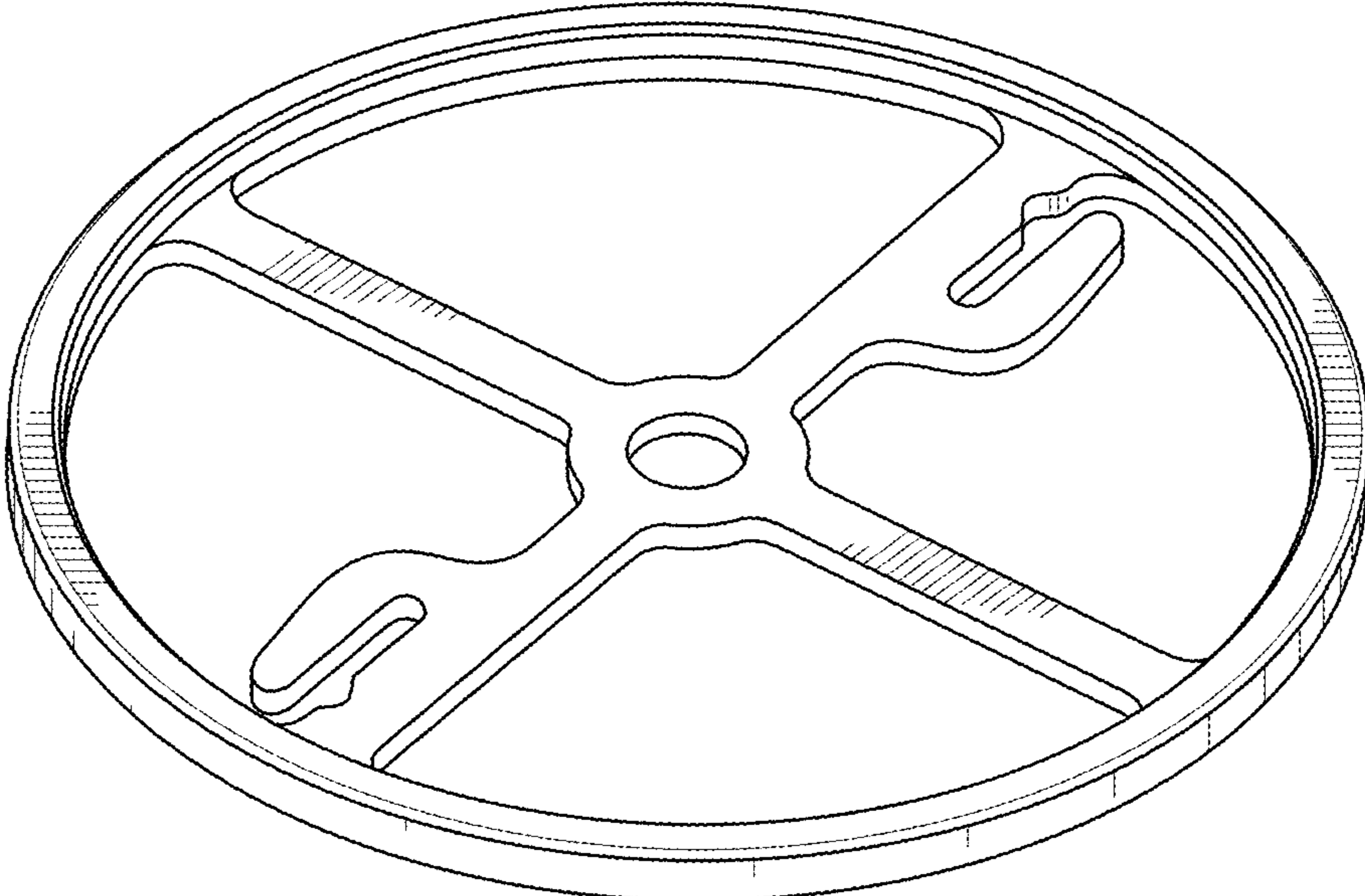


FIG. 1

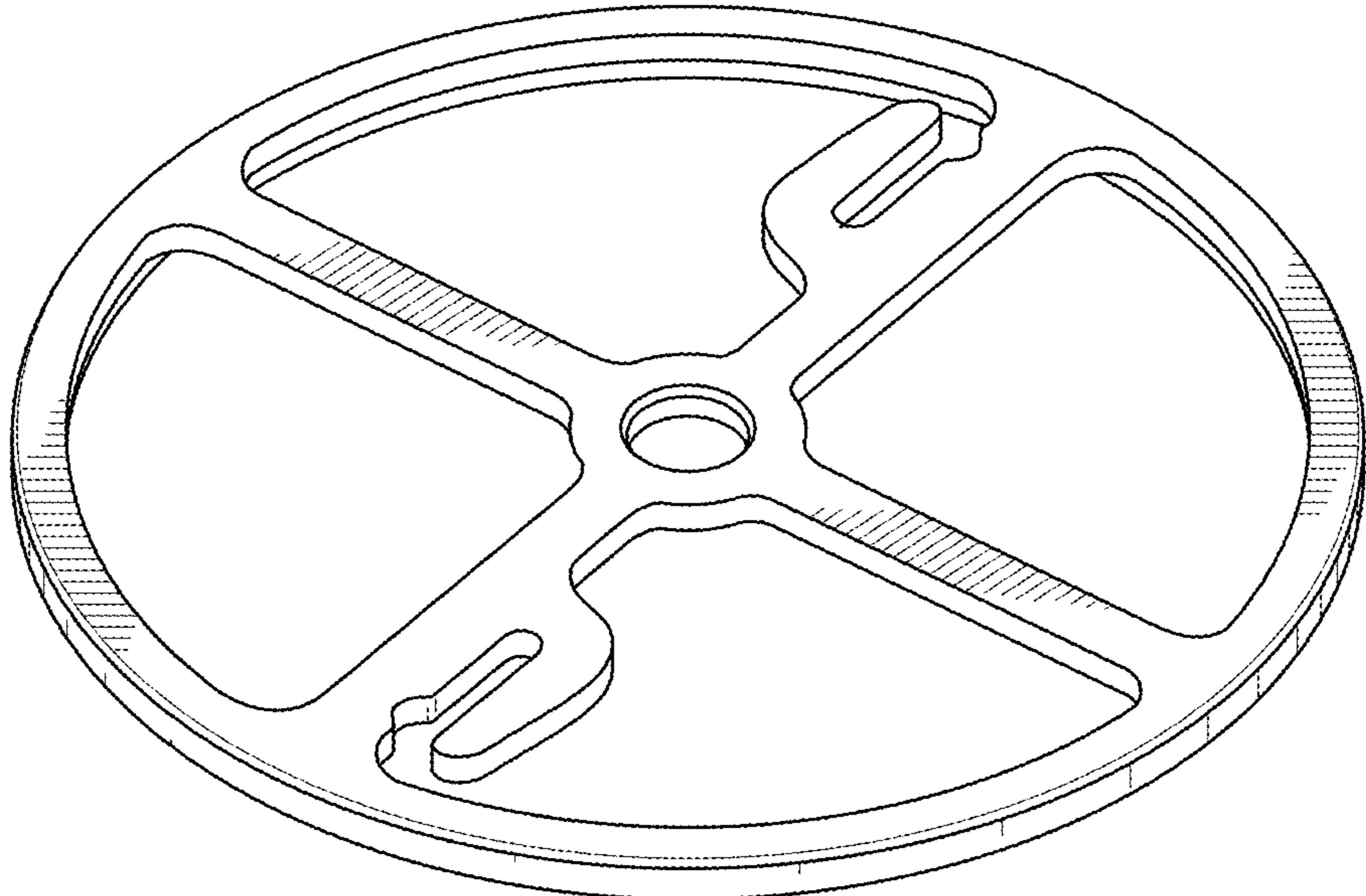


FIG. 2



FIG. 3

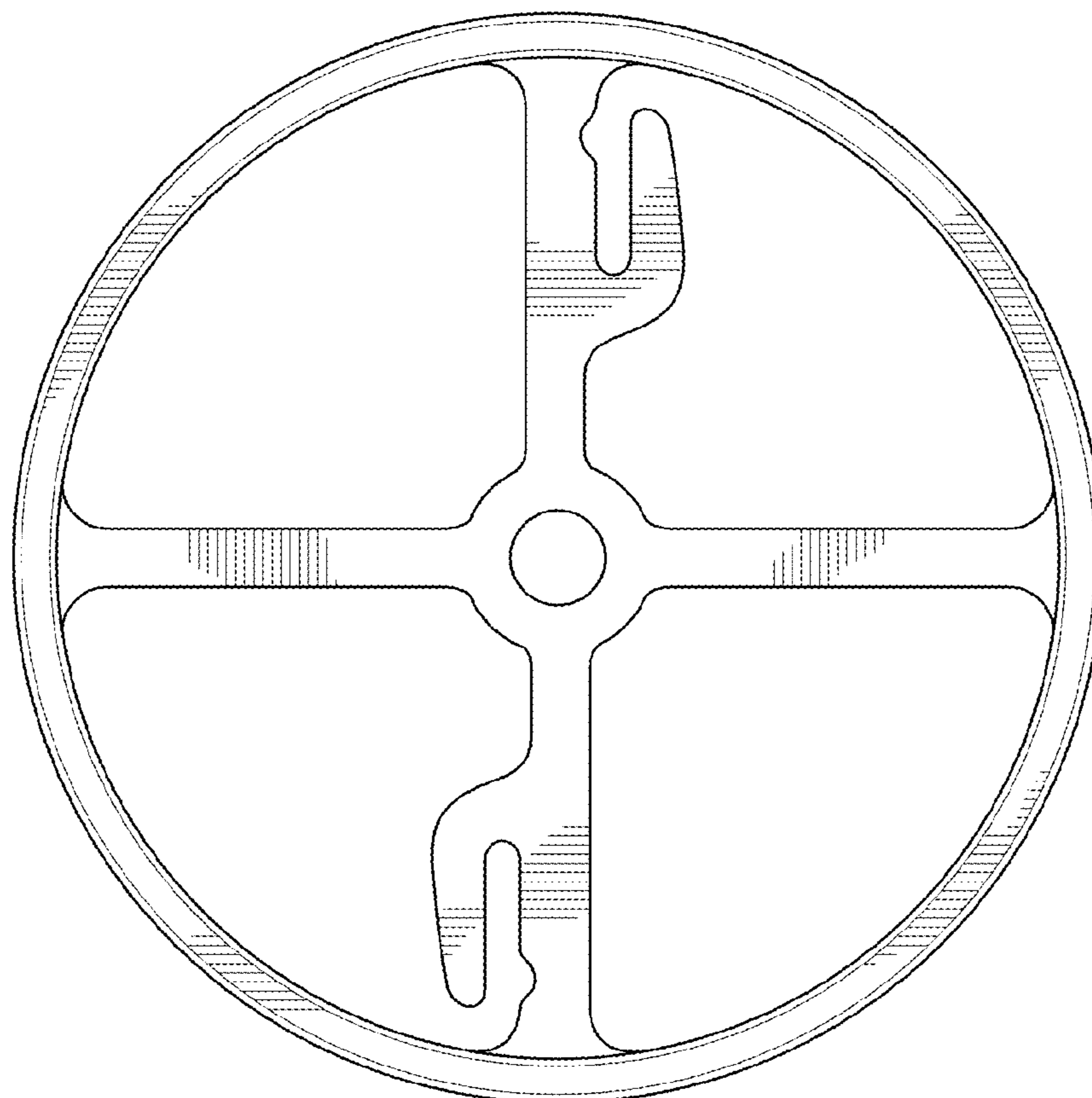


FIG. 4

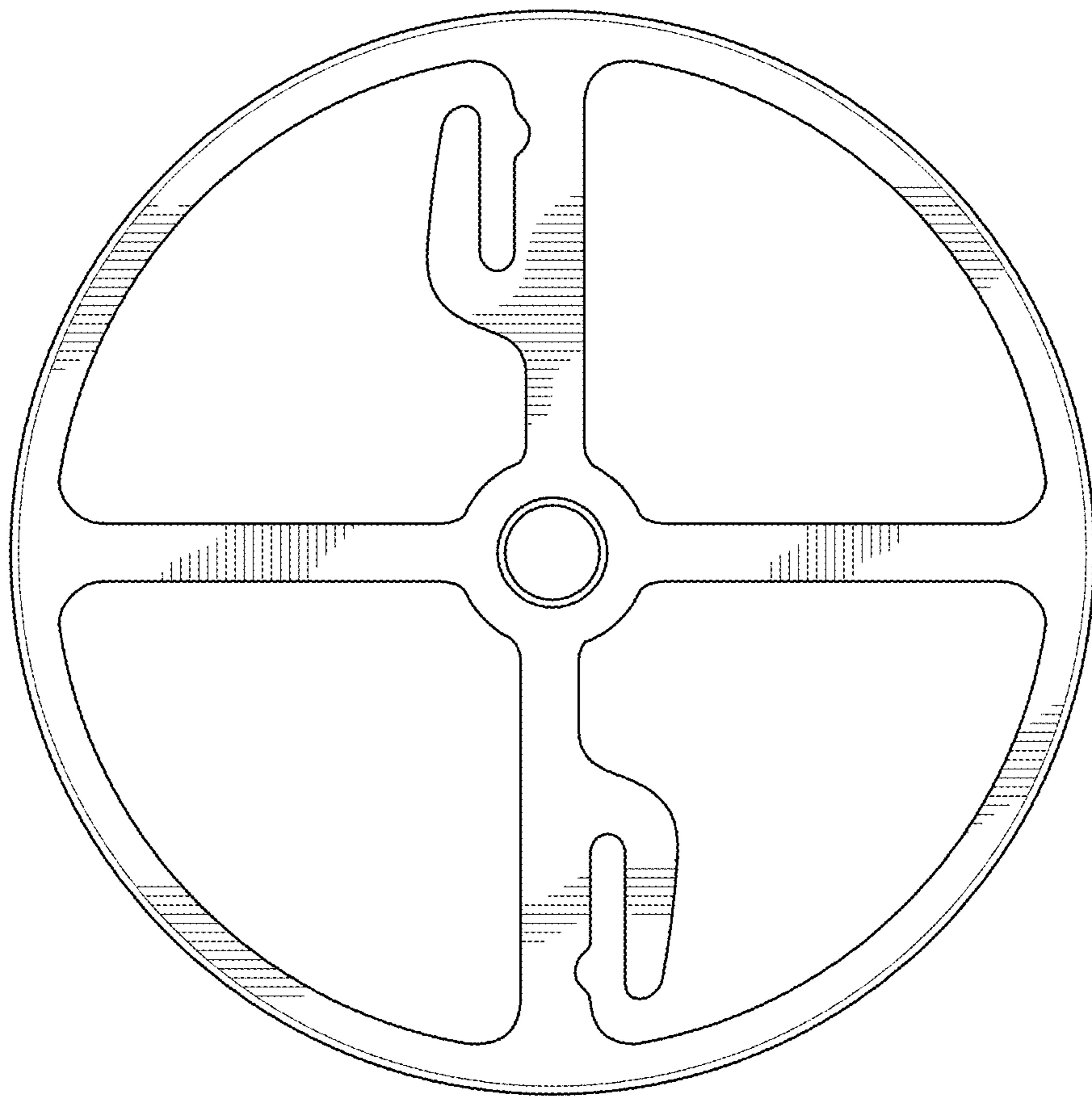


FIG. 5