



US00D730760S

(12) **United States Design Patent**
Weaver

(10) **Patent No.:** **US D730,760 S**
(45) **Date of Patent:** **** Jun. 2, 2015**

- (54) **SPEED SQUARE**
- (71) Applicant: **Kenneth M Weaver**, Williamstown, NJ
(US)
- (72) Inventor: **Kenneth M Weaver**, Williamstown, NJ
(US)
- (**) Term: **14 Years**
- (21) Appl. No.: **29/482,121**
- (22) Filed: **Feb. 14, 2014**
- (51) **LOC (10) Cl.** **10-04**
- (52) **U.S. Cl.**
USPC **D10/65**
- (58) **Field of Classification Search**
USPC D10/65
CPC B43L 7/0275; G01B 3/566
See application file for complete search history.

D491,823 S *	6/2004	Schwarm	D10/65
D495,614 S *	9/2004	Dickinson	D10/74
D511,698 S *	11/2005	Allemand	D10/65
7,114,264 B1 *	10/2006	Hurley et al.	33/423
D587,606 S *	3/2009	McMasters	D10/65
D657,701 S *	4/2012	Martinez et al.	D10/65
D659,031 S *	5/2012	MacKay et al.	D10/62
8,276,285 B1 *	10/2012	Bennett	33/429
D710,221 S *	8/2014	Buzzell	D10/74
D717,675 S *	11/2014	Lin	D10/65

* cited by examiner

Primary Examiner — Antoine D Davis
(74) *Attorney, Agent, or Firm* — Stuart M. Goldstein

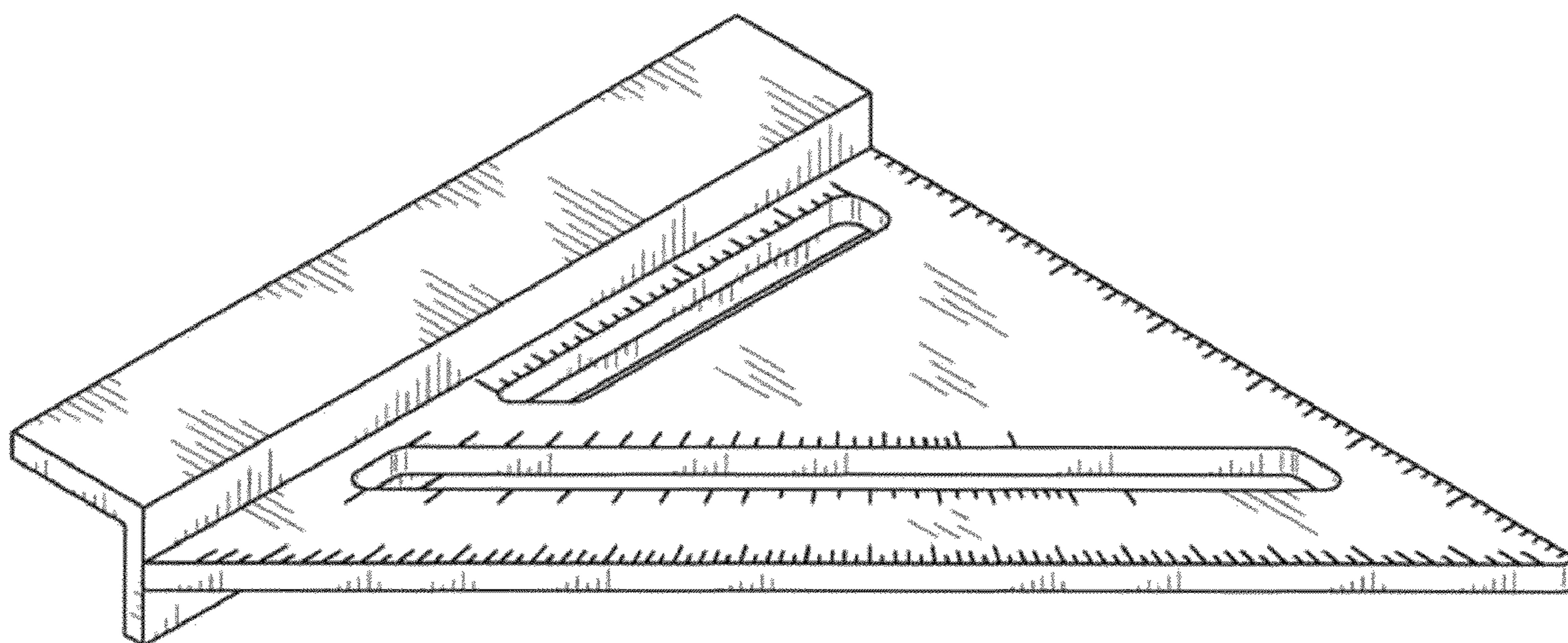
(57) **CLAIM**
The ornamental design for a speed square, as shown and described.

DESCRIPTION

FIG. 1 is a rear isometric view of the speed square of the present invention.
 FIG. 2 is a top view of the speed square of the present invention.
 FIG. 3 is a bottom view of the speed square of the present invention.
 FIG. 4 is an elevation view of the speed square of the present invention.
 FIG. 5 is the opposite elevation view of the speed square of the present invention.
 FIG. 6 is an end view of the speed square of the present invention; and,
 FIG. 7 is the opposite end view of the speed square of the present invention.

1 Claim, 3 Drawing Sheets

- (56) **References Cited**
U.S. PATENT DOCUMENTS
- 4,742,619 A * 5/1988 Swanson 33/474
- 5,170,568 A * 12/1992 Wright 33/480
- D364,574 S * 11/1995 Utz et al. D10/62
- D369,981 S * 5/1996 Hayes et al. D10/65
- 5,575,074 A * 11/1996 Cottongim et al. 33/474
- D416,501 S * 11/1999 DiGangi et al. D10/62
- D425,437 S * 5/2000 Defelice D10/65
- D445,700 S * 7/2001 Mapston D10/62
- D454,080 S * 3/2002 Aguilar et al. D10/62
- D454,312 S * 3/2002 Anderson et al. D10/65
- D465,424 S * 11/2002 Allemand D10/65
- D488,730 S * 4/2004 Pena D10/65



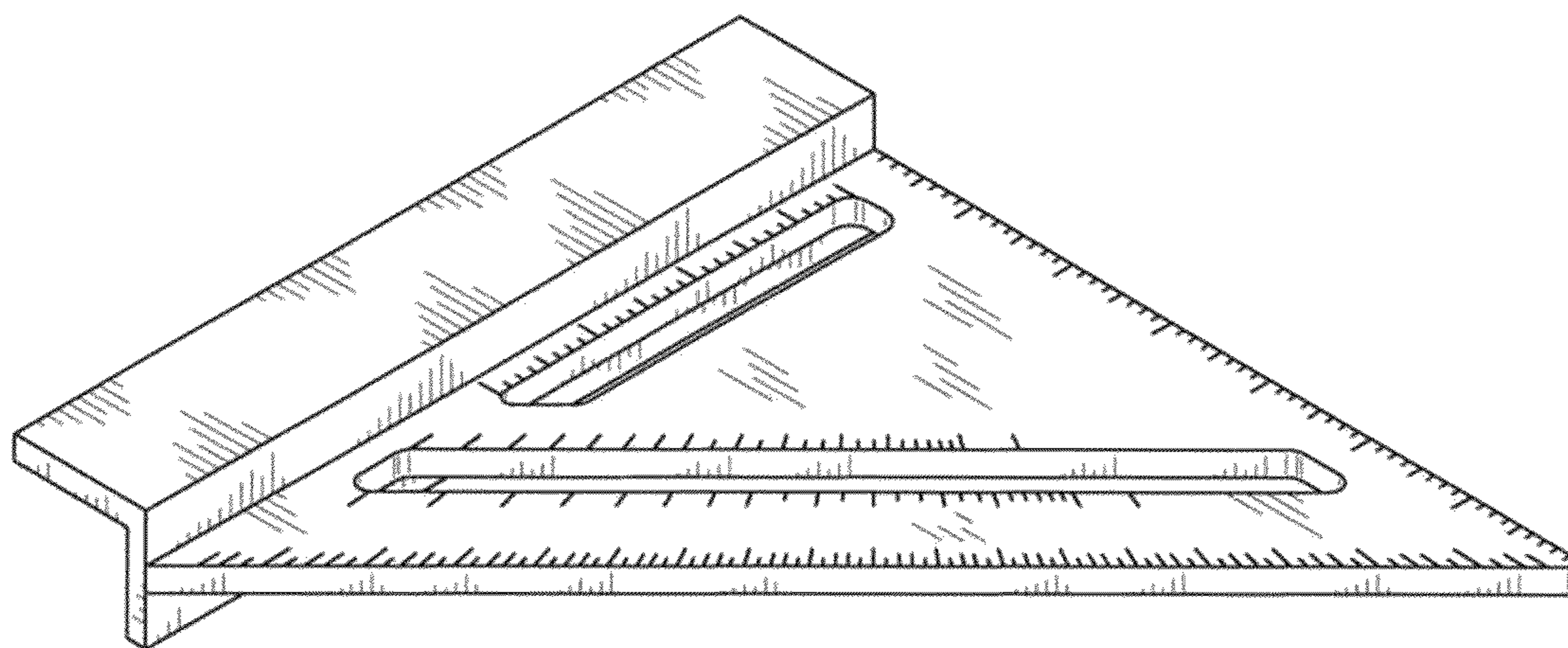


FIG. 1

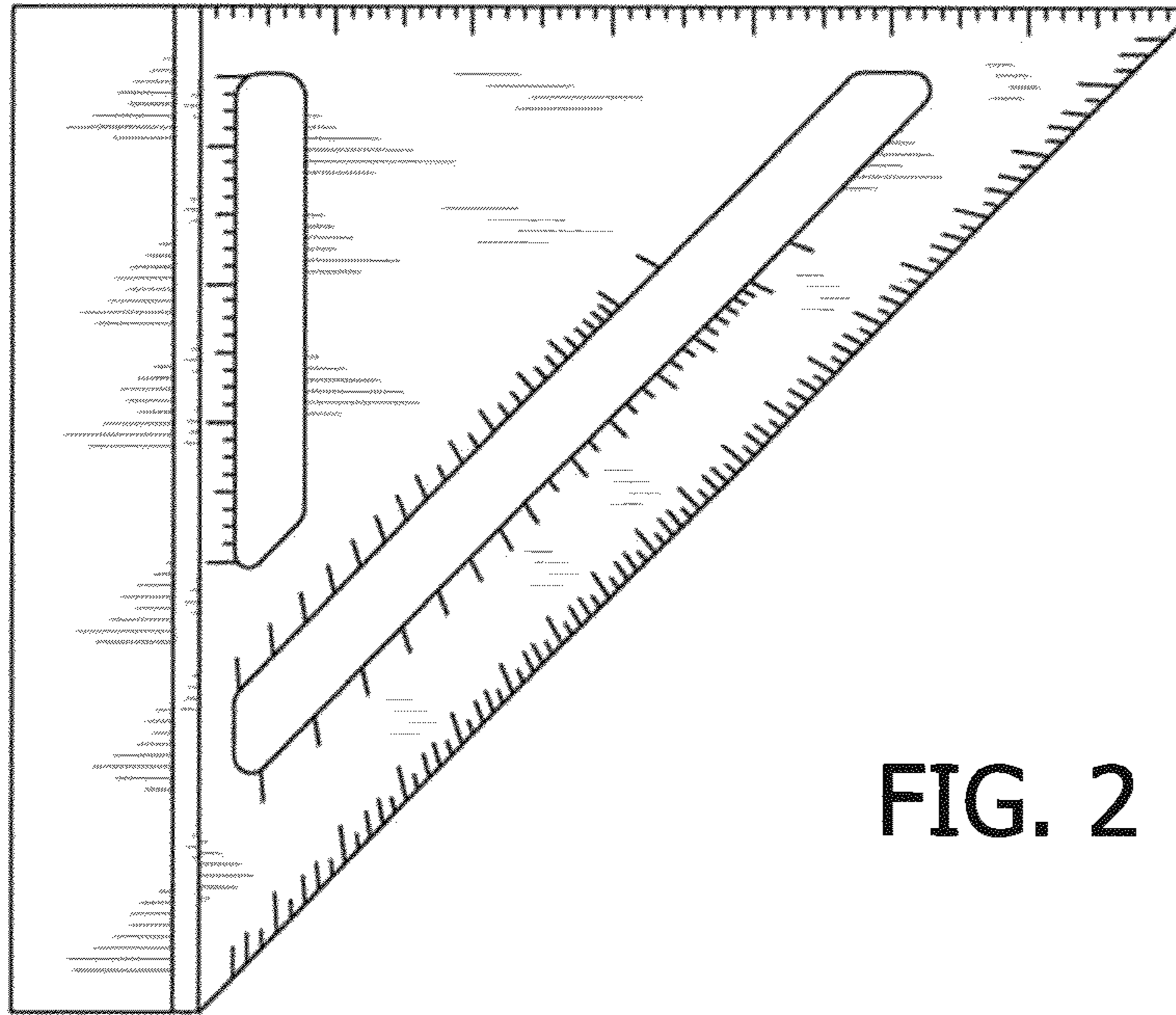


FIG. 2

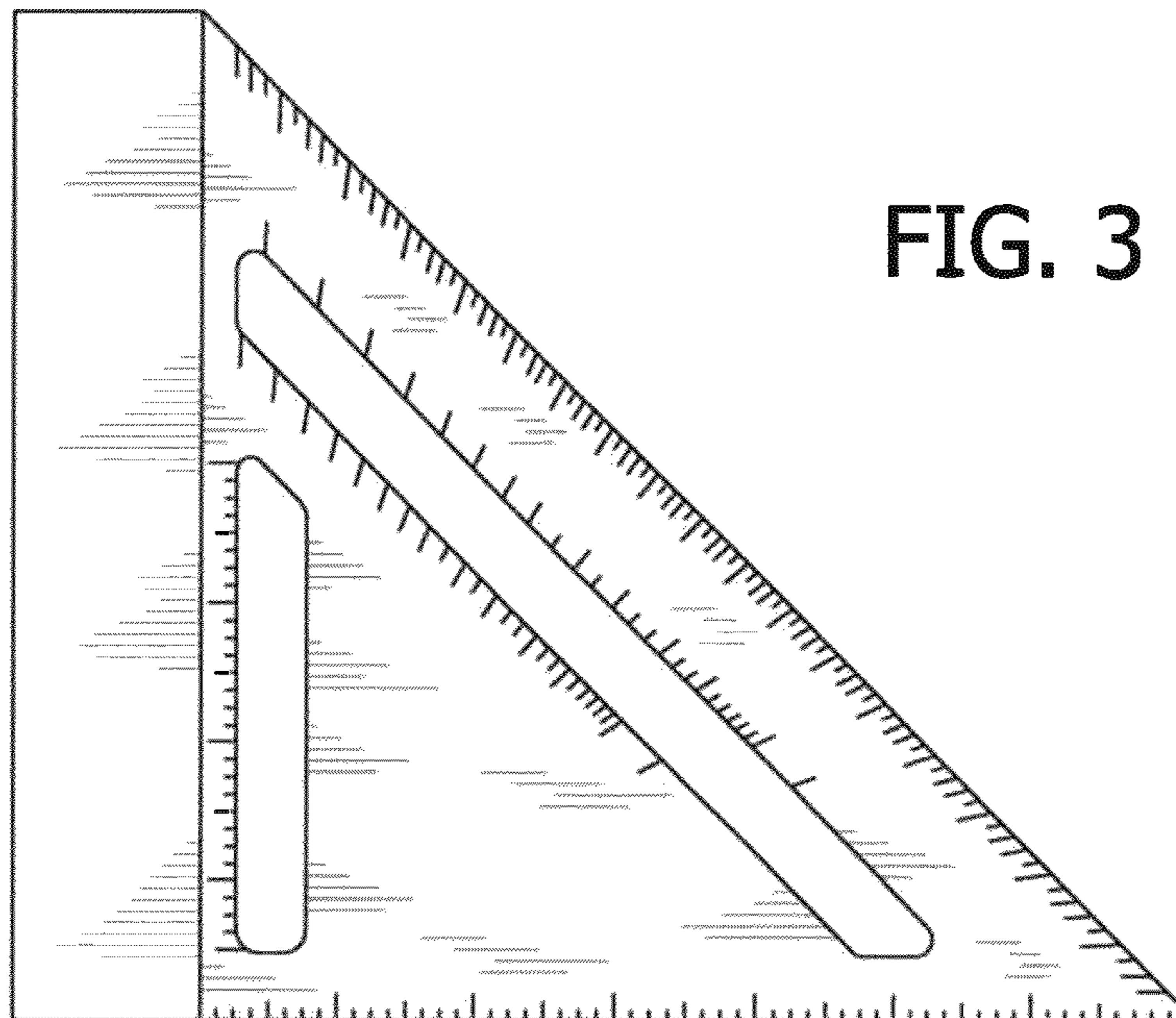


FIG. 3

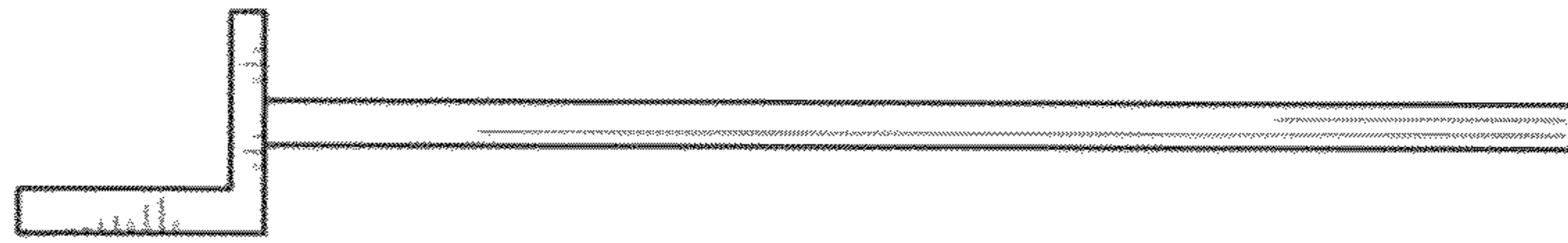


FIG. 4

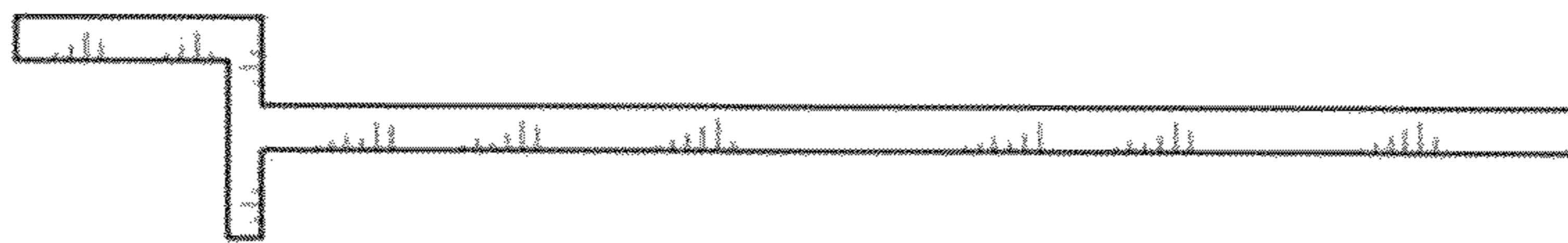


FIG. 5



FIG. 6

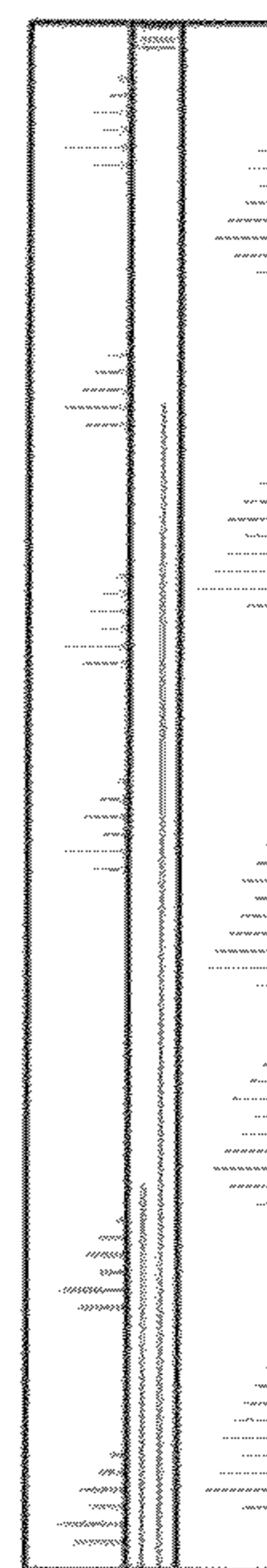


FIG. 7

UNITED STATES PATENT AND TRADEMARK OFFICE
CERTIFICATE OF CORRECTION

PATENT NO. : D730,760 S
APPLICATION NO. : 29/482121
DATED : June 2, 2015
INVENTOR(S) : Kenneth M. Weaver

Page 1 of 1

It is certified that error appears in the above-identified patent and that said Letters Patent is hereby corrected as shown below:

In the Claims

Item (57), Please change “The ornamental design for a speed square, as shown and described” to “The ornamental design for a square, as shown and described.”

Signed and Sealed this
Tenth Day of January, 2017



Michelle K. Lee
Director of the United States Patent and Trademark Office