



US00D730759S

(12) **United States Design Patent**
Federspiel

(10) **Patent No.:** **US D730,759 S**

(45) **Date of Patent:** **** Jun. 2, 2015**

(54) **JOIST SPACER**

(71) Applicant: **Russell Federspiel**, Old Town, FL (US)

(72) Inventor: **Russell Federspiel**, Old Town, FL (US)

(**) Term: **14 Years**

(21) Appl. No.: **29/439,974**

(22) Filed: **Dec. 18, 2012**

(51) **LOC (10) Cl.** **10-04**

(52) **U.S. Cl.**
USPC **D10/64**; D8/349

(58) **Field of Classification Search**
USPC D8/354, 349, 373, 376, 377; D25/68,
D25/611; D10/64, 65; 52/203, 639-644,
52/690-697, 127.2; 33/613, 501.3, 194;
269/37, 95; 296/43

See application file for complete search history.

(56) **References Cited**

U.S. PATENT DOCUMENTS

2,567,586	A	9/1951	Werder	
3,201,874	A *	8/1965	Christy	33/613
D314,520	S *	2/1991	Hass	D10/64
D318,785	S *	8/1991	Dean	D8/373
5,129,153	A *	7/1992	Burns, Sr.	33/613
D337,729	S	7/1993	Ledbetter	
D347,587	S	6/1994	Michael	
5,407,182	A *	4/1995	Hartley	269/43
5,490,334	A *	2/1996	Payne	33/613
5,884,411	A *	3/1999	Raber	33/613
5,937,531	A *	8/1999	Menk et al.	33/613
6,935,041	B2 *	8/2005	Orton	33/613

7,152,338	B2 *	12/2006	Thompson et al.	33/613
D567,635	S *	4/2008	Nankervis	D8/354
7,377,048	B2 *	5/2008	Koetter	33/613
D587,099	S	2/2009	Brizendine	
7,571,551	B1 *	8/2009	Anderson	33/613
7,617,612	B2 *	11/2009	Brizendine	33/613
7,681,324	B2 *	3/2010	Hooks	33/613
D702,533	S *	4/2014	Noturno	D8/354
2002/0092259	A1 *	7/2002	Crawford et al.	52/696
2012/0180422	A1 *	7/2012	Noturno	52/696

* cited by examiner

Primary Examiner — Mark Goodwin

(74) *Attorney, Agent, or Firm* — Larson & Larson, P.A.;
Justin P. Miller; Patrick A. Reid

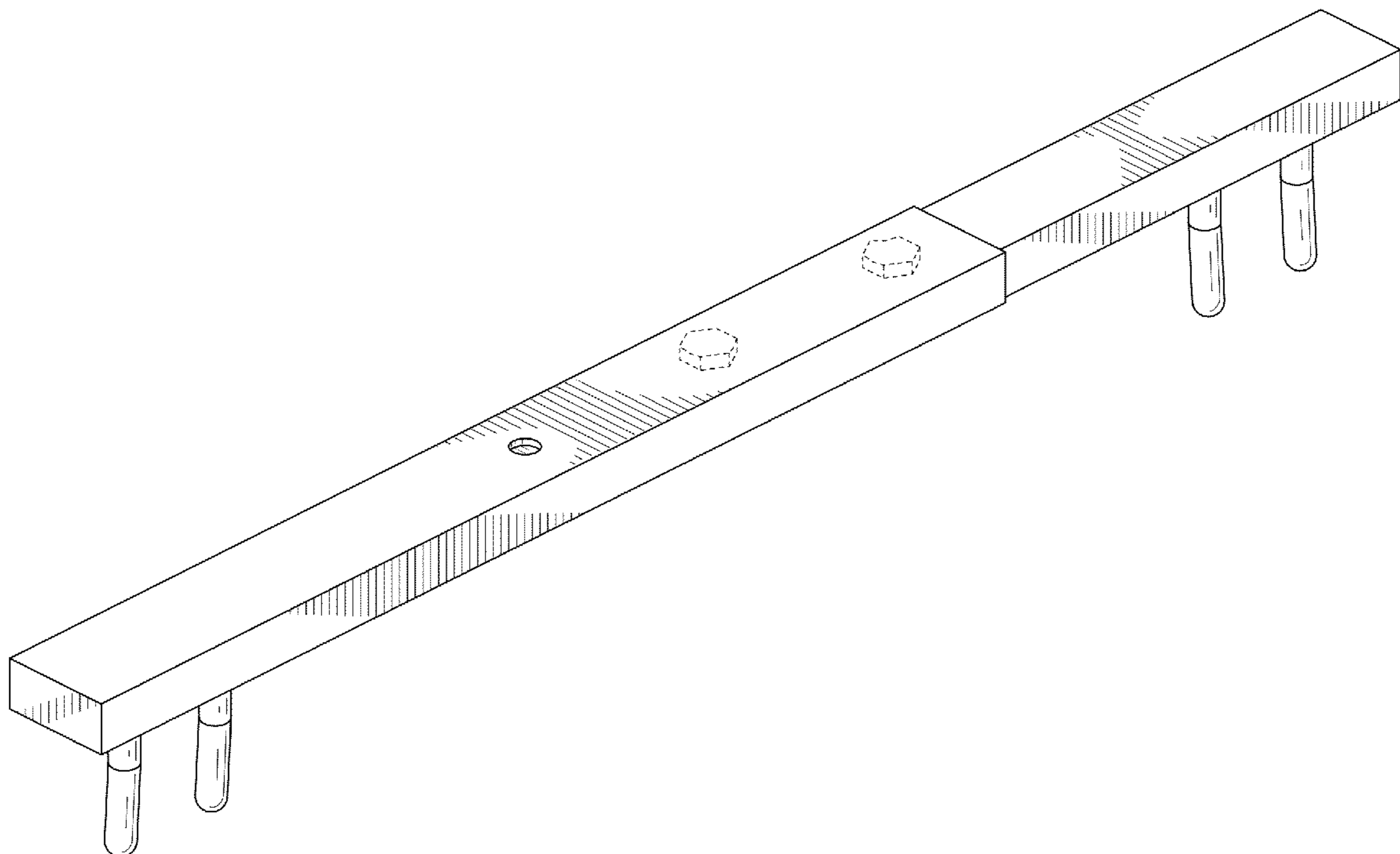
(57) **CLAIM**

I claim the ornamental design for a joist spacer, as shown and described.

DESCRIPTION

FIG. 1 is a perspective view of the joist spacer showing my new design;
FIG. 2 is a left side view thereof;
FIG. 3 is a right side view thereof;
FIG. 4 is a top plan view thereof;
FIG. 5 is a bottom plan view thereof;
FIG. 6 is a front elevation view thereof; and,
FIG. 7 is a rear elevation view thereof.
The broken lines depicting bolts in FIGS. 1-4 and 6-7 are for illustrative purposes only and form no part of the claimed design.

1 Claim, 3 Drawing Sheets



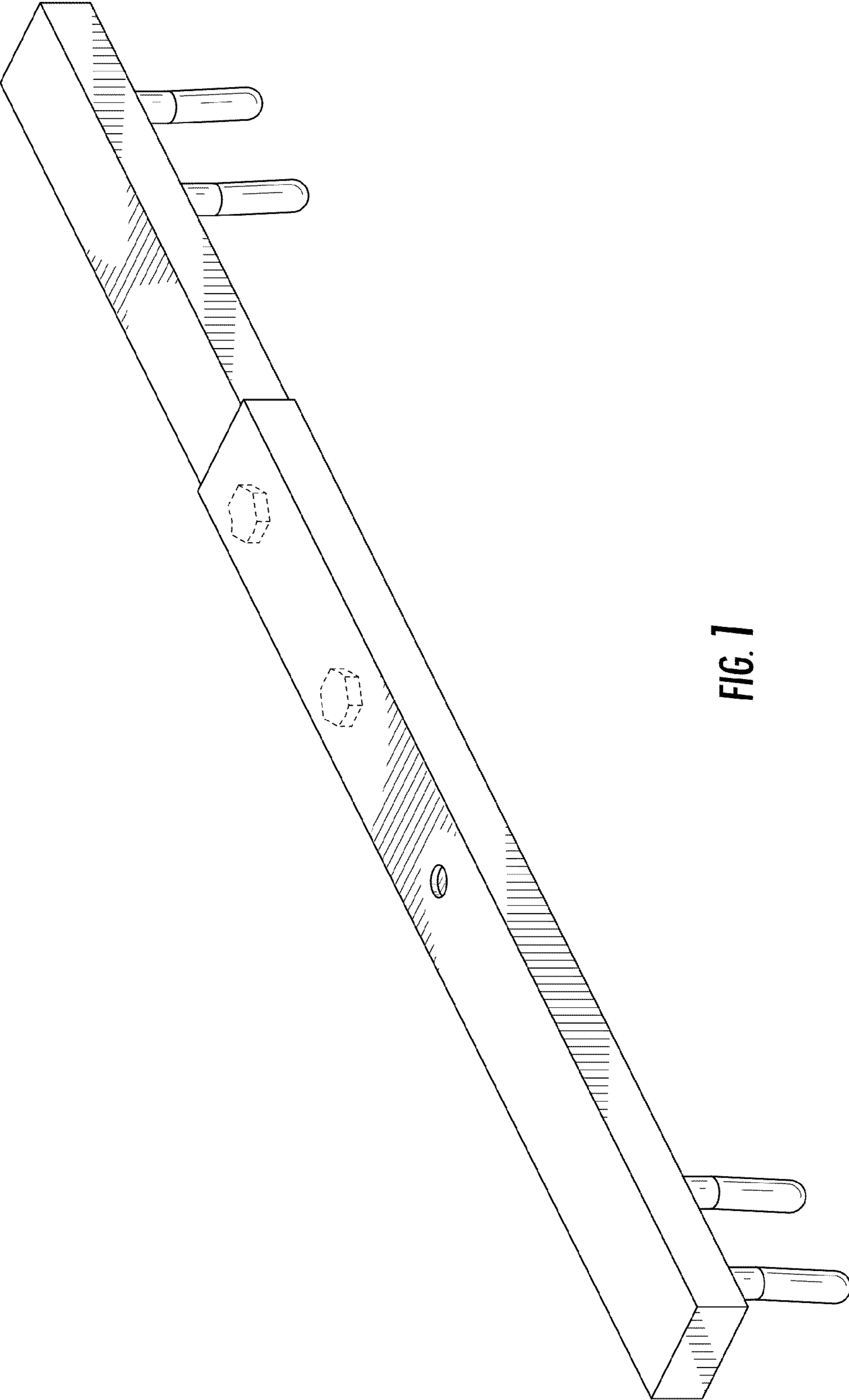


FIG. 1

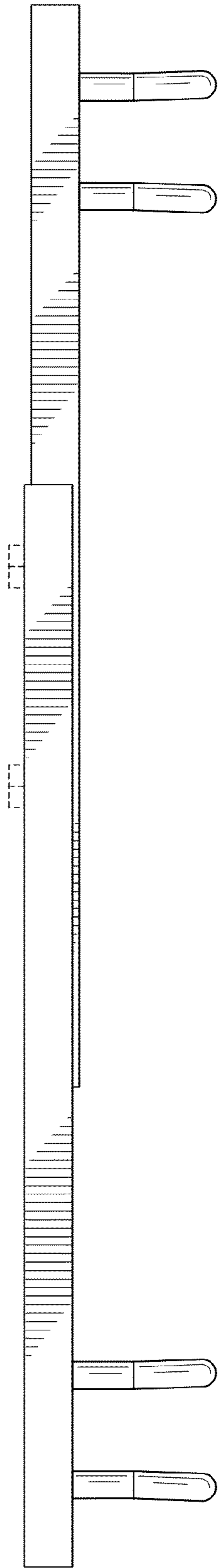


FIG. 2

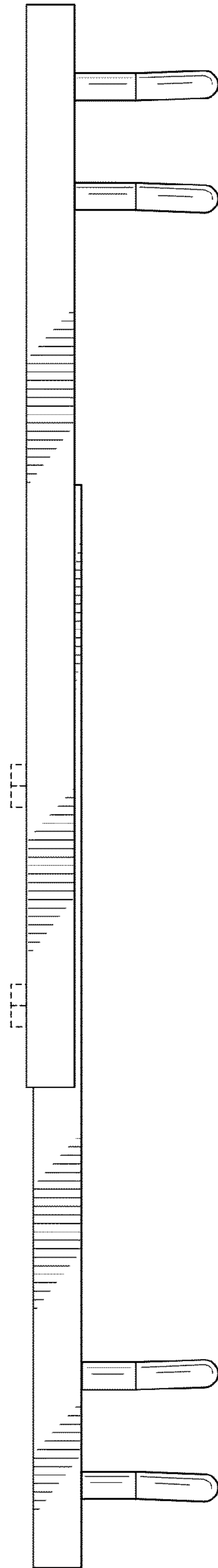


FIG. 3

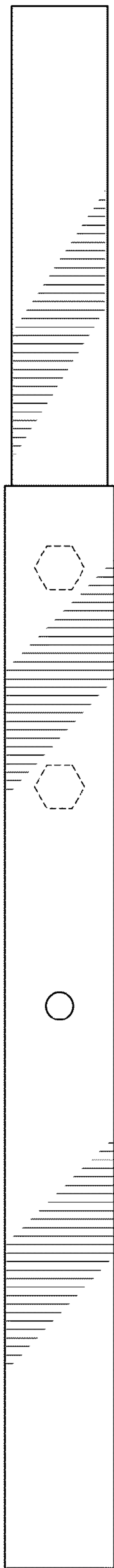


FIG. 4

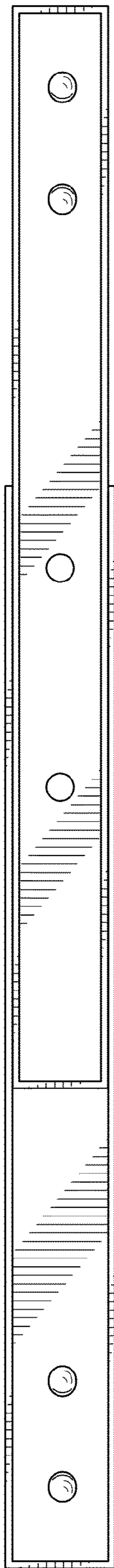


FIG. 5

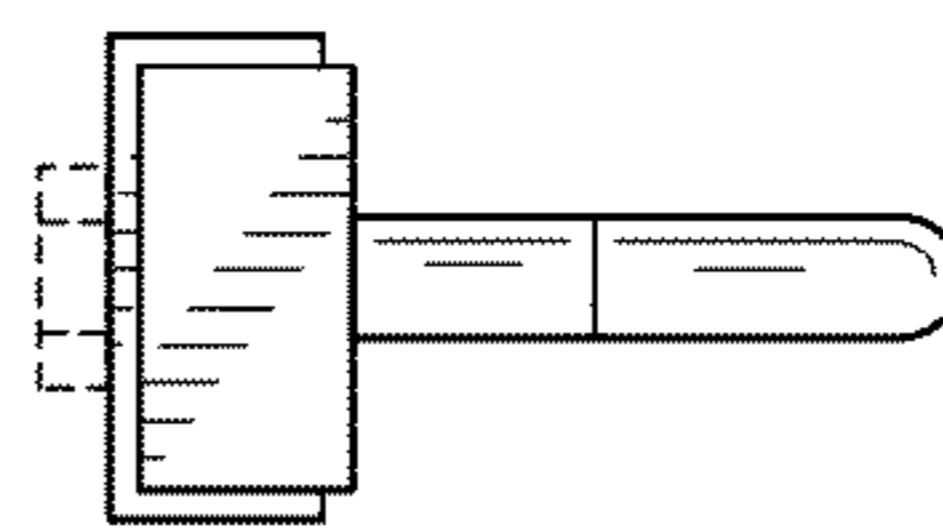


FIG. 6

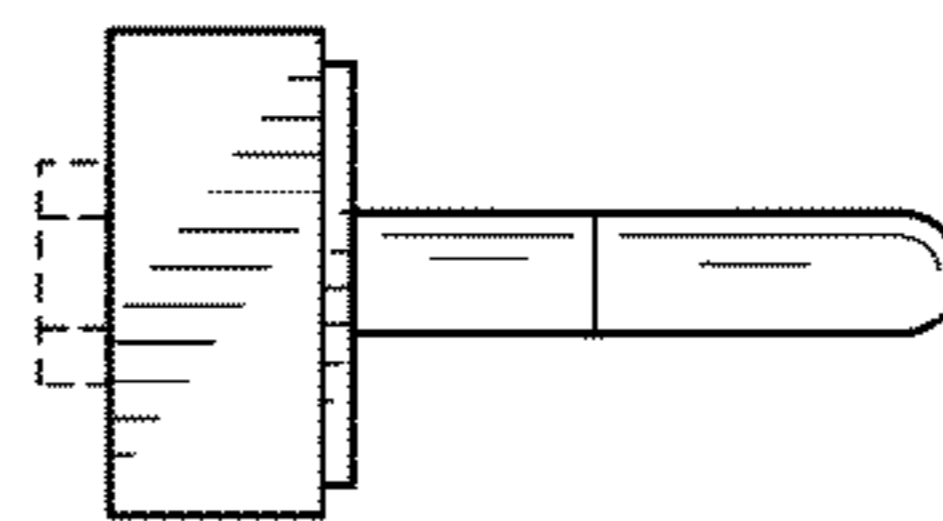


FIG. 7