

US00D730757S

(12) **United States Design Patent**  
**Dayan**

(10) **Patent No.:** **US D730,757 S**  
(45) **Date of Patent:** **\*\* Jun. 2, 2015**

(54) **FLOATING THERMOMETER AND A PORTION THEREOF**

(71) Applicant: **Clear Innovation LLC**, New York, NY (US)

(72) Inventor: **Maurice S. Dayan**, Oakhurst, NJ (US)

(73) Assignee: **CLEAR INNOVATION LLC**

(\*\*) Term: **14 Years**

(21) Appl. No.: **29/490,020**

(22) Filed: **May 6, 2014**

(51) **LOC (10) Cl.** ..... **10-04**

(52) **U.S. Cl.**  
USPC ..... **D10/57; D10/58**

(58) **Field of Classification Search**  
USPC ..... D10/57, 58; 374/1-209, 374/E1.011-E1.017; 600/474, 549  
CPC ..... G01J 5/061; G01J 5/0843; G01J 5/0846; G01J 5/0859; G01J 5/089; G01J 5/0896; G01J 5/048; G01J 5/16; G01J 5/522; G01J 5/0205; G01J 5/0887; G01J 5/0003; G01J 5/0275; G01J 5/084; G01J 5/0834; G01J 5/12; G01J 5/14  
See application file for complete search history.

(56) **References Cited**

**U.S. PATENT DOCUMENTS**

3,961,531 A \* 6/1976 Peng ..... 374/208

D312,975 S \* 12/1990 Scheurer ..... D10/57  
D377,610 S \* 1/1997 Liang ..... D10/58  
D449,239 S \* 10/2001 Kern ..... D10/57  
D522,388 S \* 6/2006 Vu ..... D10/57  
D564,373 S \* 3/2008 Yu et al. .... D10/57  
D564,916 S \* 3/2008 Yu et al. .... D10/57  
D564,918 S \* 3/2008 Yu et al. .... D10/57  
D564,919 S \* 3/2008 Yu et al. .... D10/57  
D567,682 S \* 4/2008 Yu et al. .... D10/57  
D652,749 S \* 1/2012 Vidal et al. .... D10/57

\* cited by examiner

*Primary Examiner* — Antoine D Davis

(74) *Attorney, Agent, or Firm* — The Belles Group, P.C.

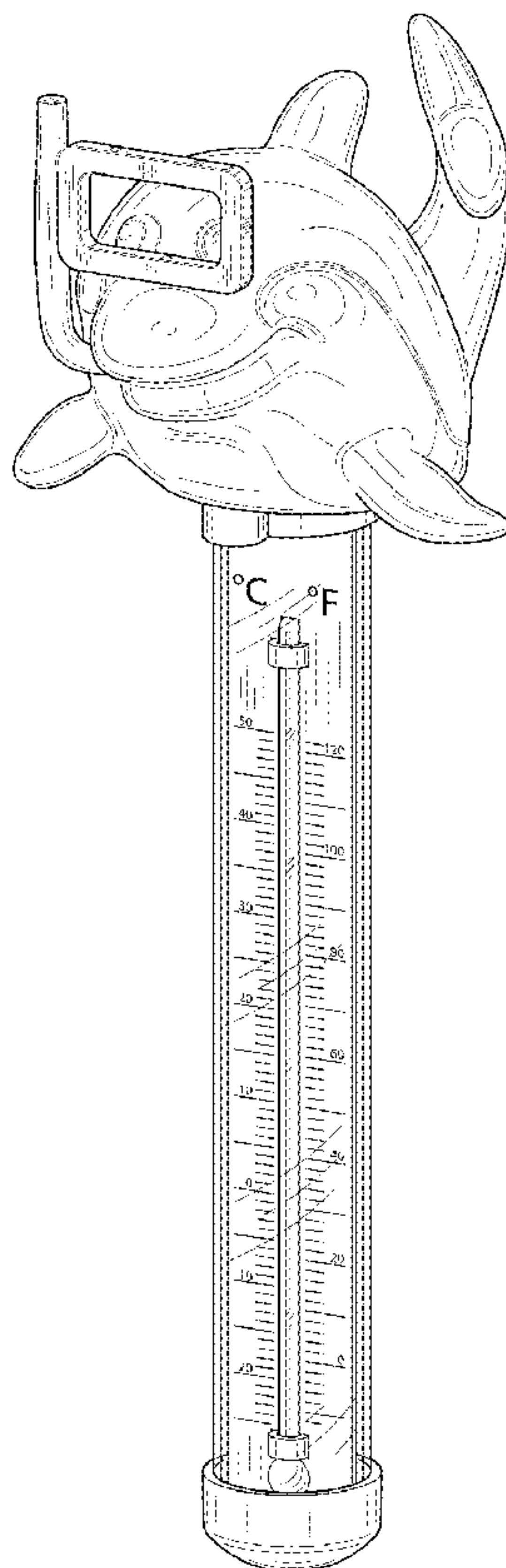
(57) **CLAIM**

The ornamental design for a floating thermometer and a portion thereof, as shown and described.

**DESCRIPTION**

FIG. 1 is a front right perspective view of a floating thermometer according to a first embodiment of the new design;  
FIG. 2 is a front view thereof;  
FIG. 3 is a rear view thereof;  
FIG. 4 is a right side view thereof;  
FIG. 5 is a left side view thereof;  
FIG. 6 is a top view thereof; and,  
FIG. 7 is a bottom view thereof.

**1 Claim, 6 Drawing Sheets**



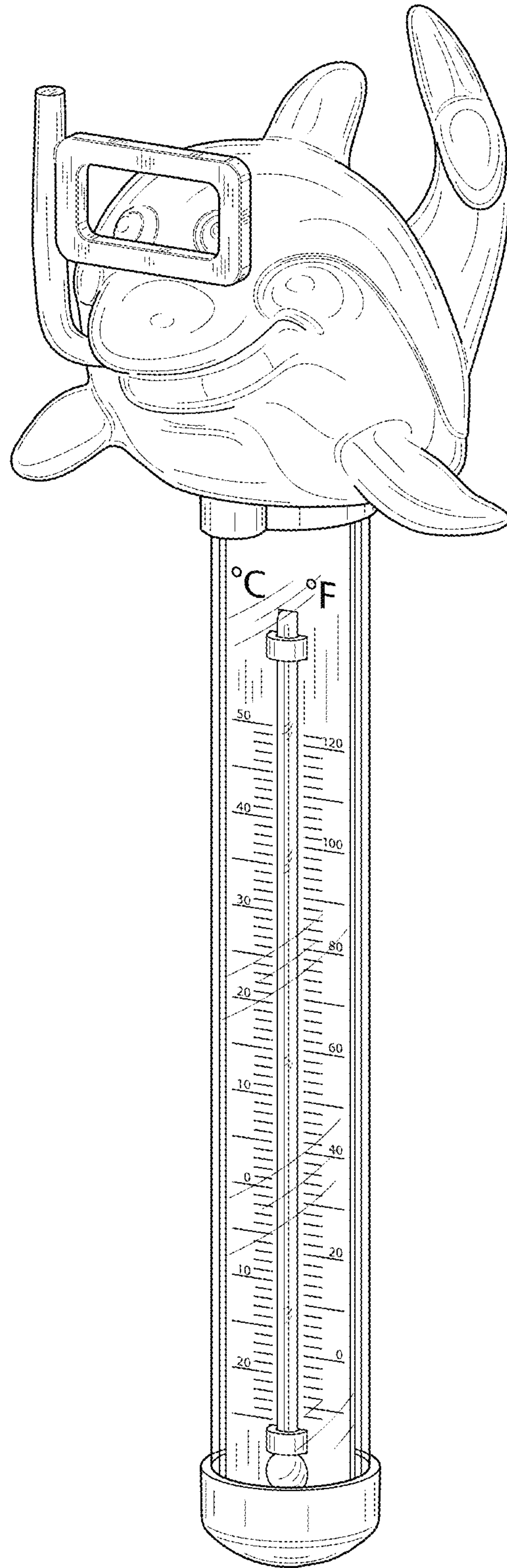


FIG. 1

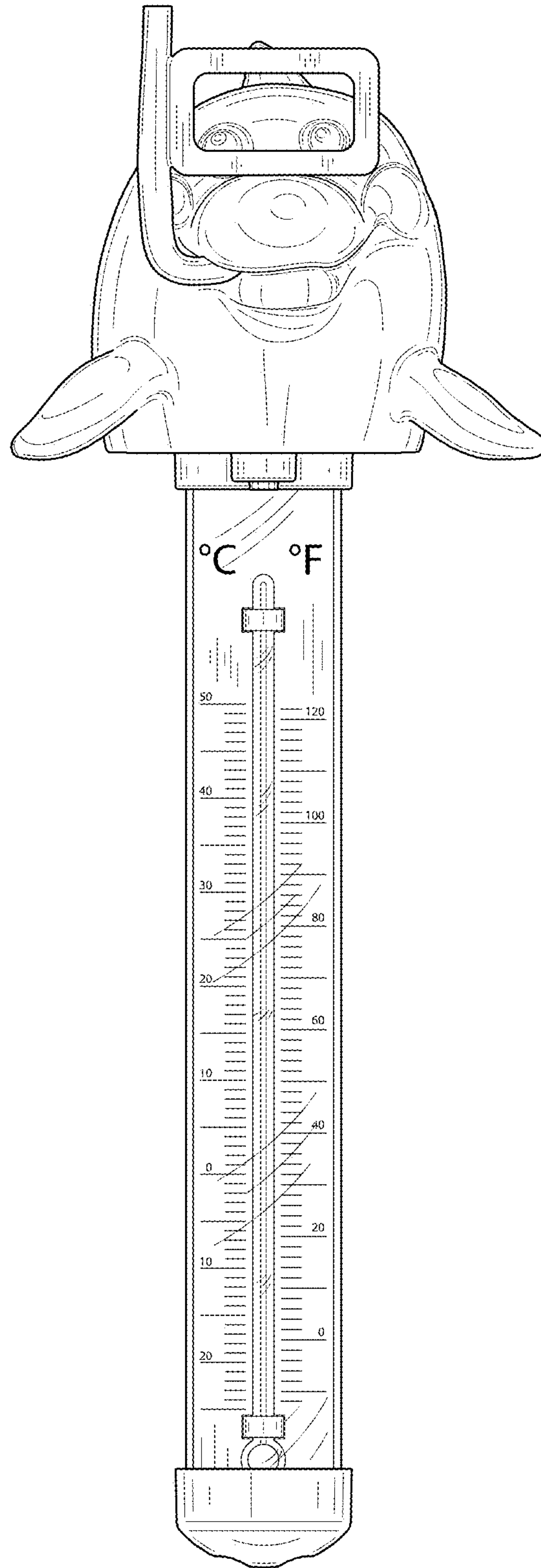


FIG. 2

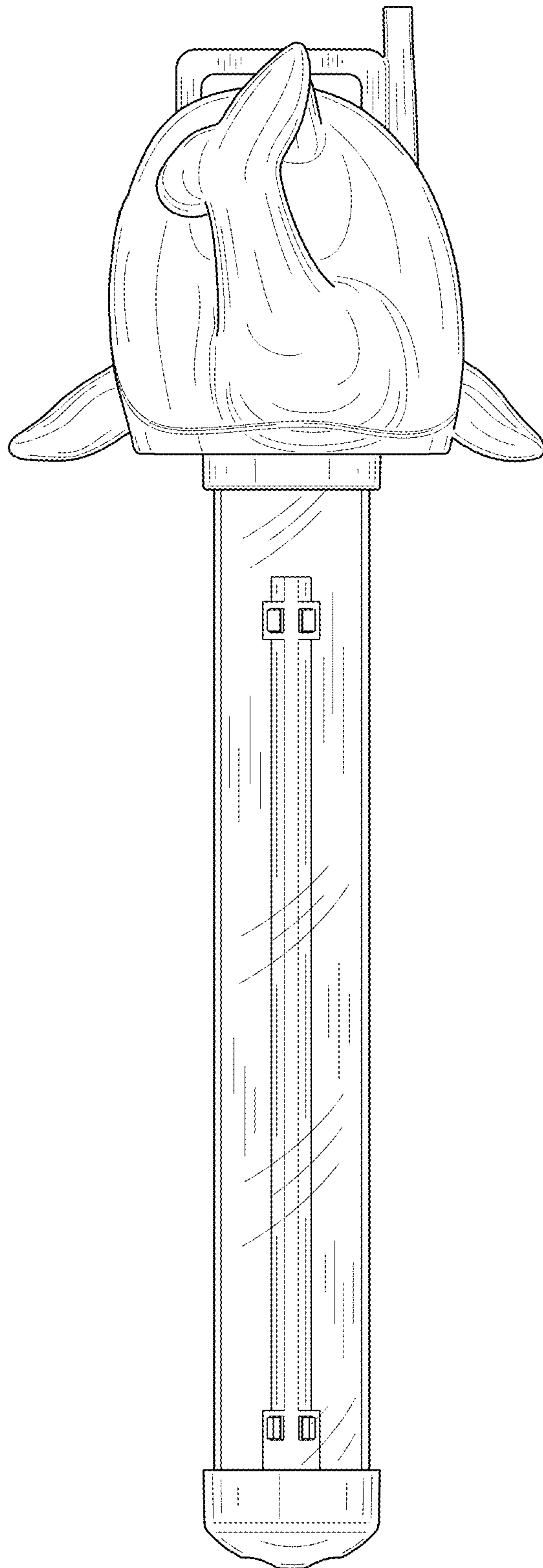


FIG. 3

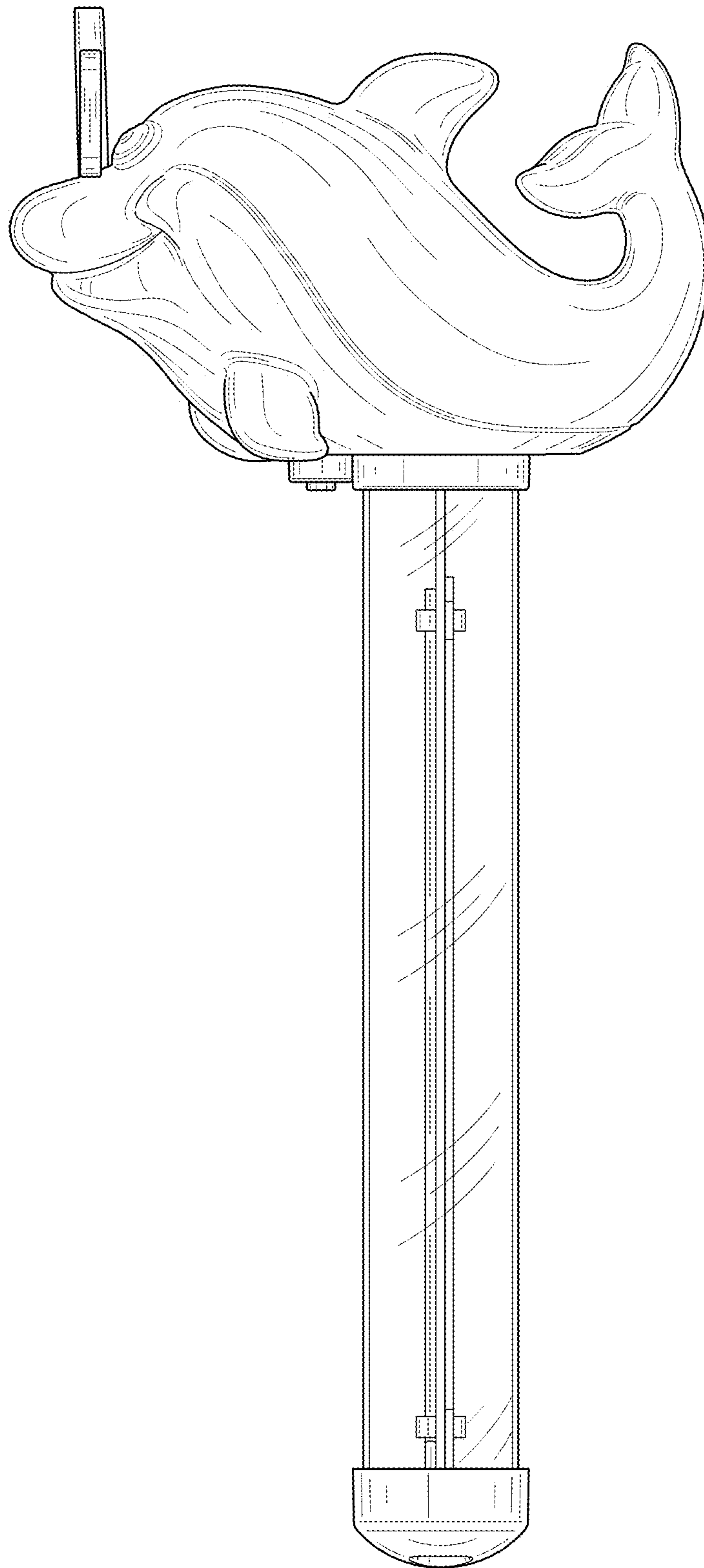


FIG. 4



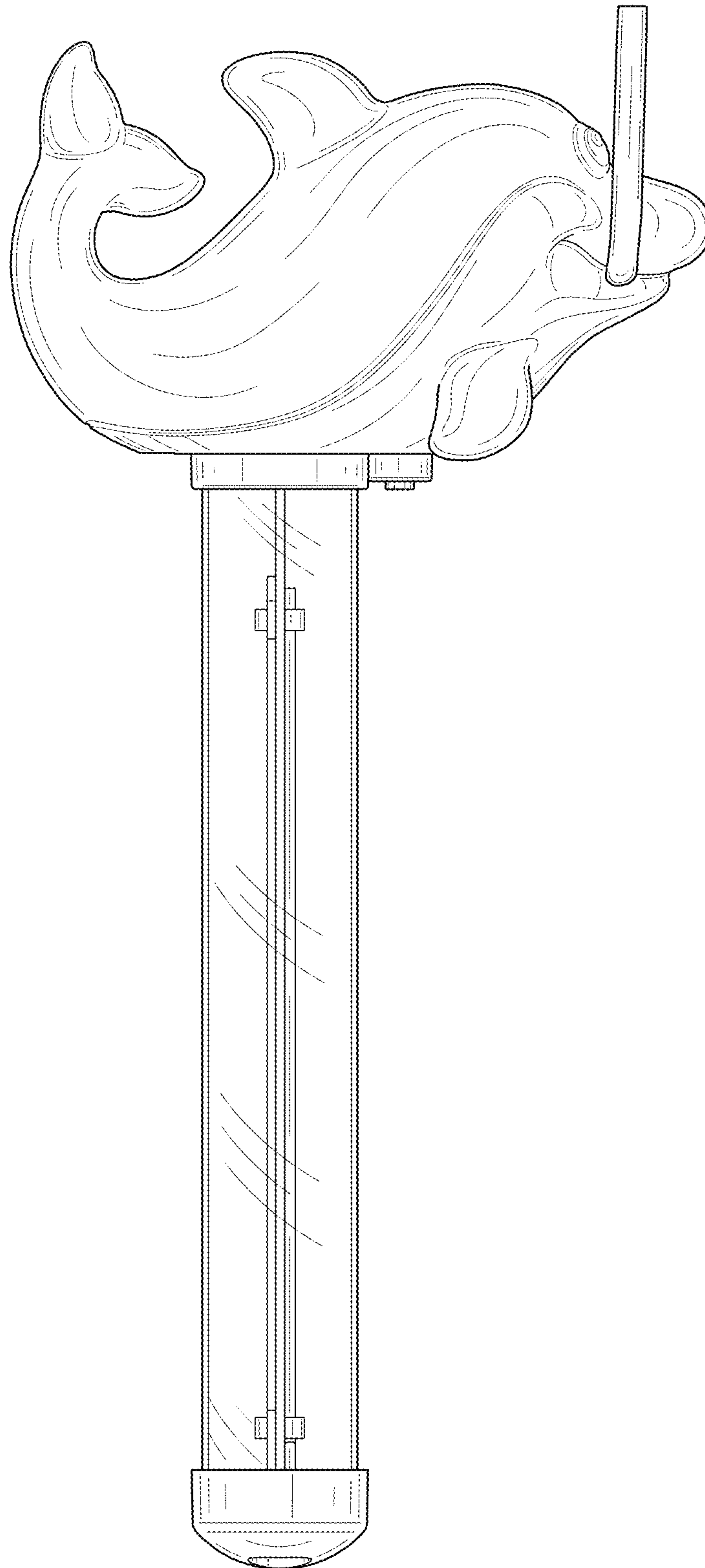


FIG. 5

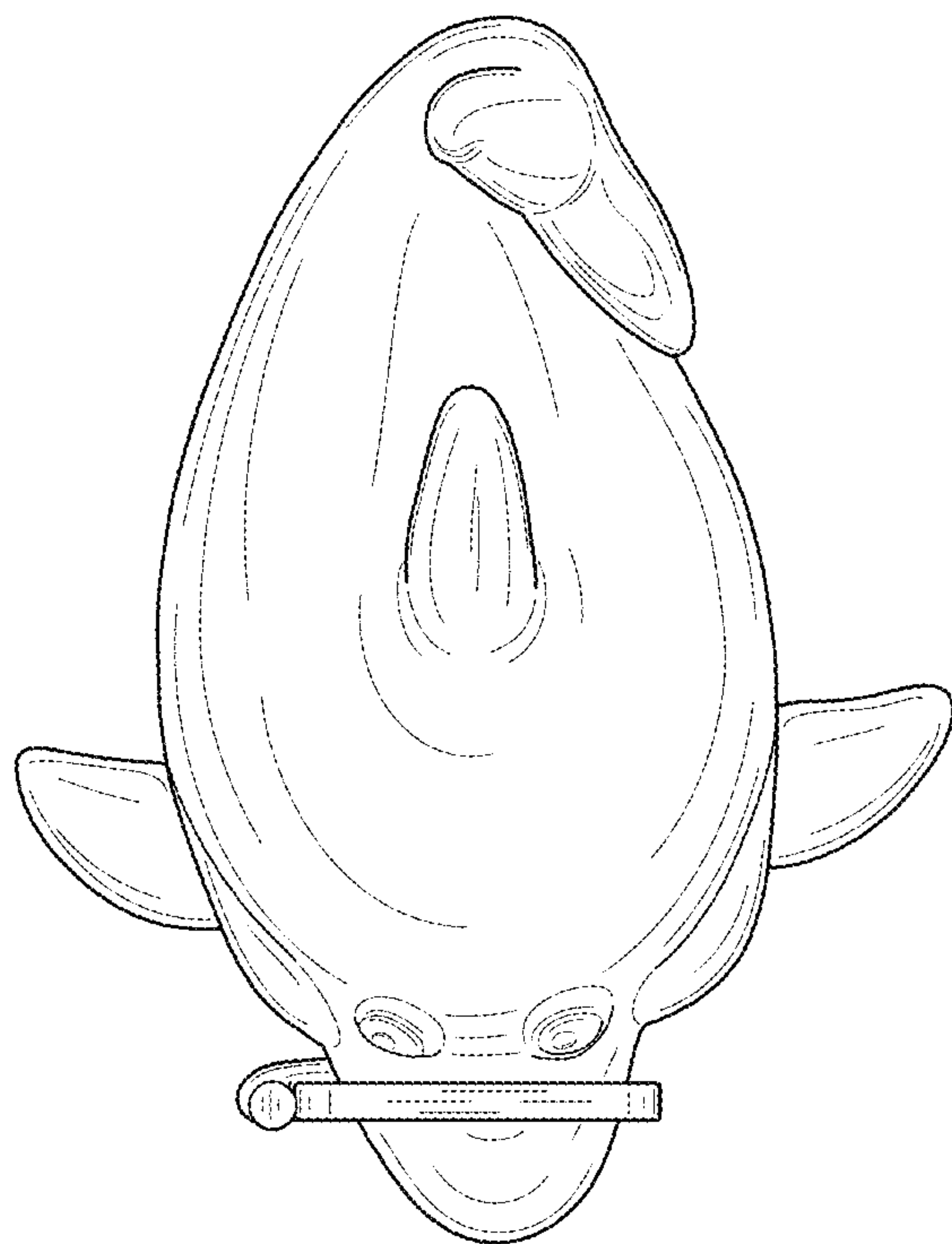


FIG. 6

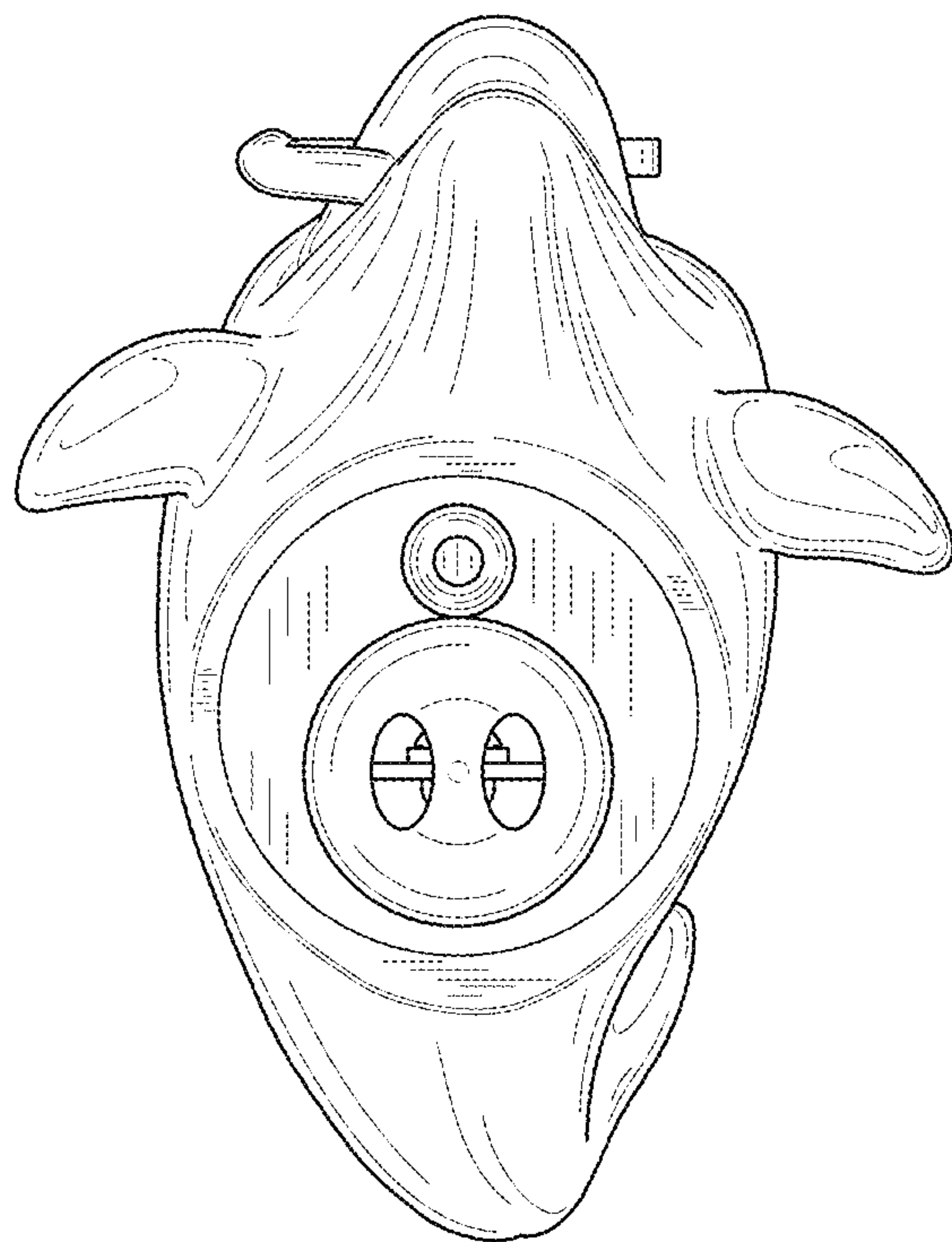


FIG. 7