

US00D730753S

(12) **United States Design Patent**  
**Clark et al.**

(10) **Patent No.:** **US D730,753 S**  
(45) **Date of Patent:** **\*\* Jun. 2, 2015**

- (54) **MEASURING CUP SET**
- (71) Applicant: **Progressive International Corporation,**  
Kent, WA (US)
- (72) Inventors: **Joanna Clark,** Tacoma, WA (US); **Sul**  
**Gi Myoung,** Federal Way, WA (US)
- (73) Assignee: **Progressive International Corporation,**  
Kent, WA (US)
- (\*\*) Term: **14 Years**
- (21) Appl. No.: **29/443,038**
- (22) Filed: **Jan. 11, 2013**
- (51) **LOC (10) Cl.** ..... **10-04**
- (52) **U.S. Cl.**  
USPC ..... **D10/46.3**
- (58) **Field of Classification Search**  
USPC ..... D10/46.3, 46, 46.1, 46.2, 61, 96, 101,  
D10/103, 81; D7/691, 692, 643, 647, 653,  
D7/587, 590, 600.1, 533, 505, 543, 545,  
D7/601, 300, 637-638, 688, 693, 368, 213,  
D7/536, 500, 316, 318; 73/426-429, 1.73,  
73/290 R, 291; 294/176, 178, 179, 180;  
206/519, 520; 30/324-328; 222/548,  
222/143, 553, 465, 466, 467, 499, 501,  
222/23.83; D24/116  
CPC ... G01F 19/002; G01F 19/00; B65D 33/1616;  
B65D 77/245; B65D 21/00; A47G 19/00;  
A61J 7/00; A61J 7/0023; B29C 45/16; B29C  
2045/1659; B29K 2995/0018; A01B 1/02  
See application file for complete search history.

(56) **References Cited**

**U.S. PATENT DOCUMENTS**

- 153,159 A 7/1874 Dinwiddie
- 423,018 A 3/1890 Young
- 1,228,373 A 5/1917 Kristofek

- D127,611 S \* 6/1941 Hadfield ..... D10/46.3
- D141,881 S \* 7/1945 Mathewson ..... D10/46.3
- D156,850 S 1/1950 Shirley
- 2,496,268 A \* 2/1950 Chester ..... 73/429
- 2,654,252 A \* 10/1953 Davis ..... 73/426
- 2,654,253 A 10/1953 Davis
- 2,758,771 A 8/1956 Bauer
- D197,025 S 12/1963 Marcus
- D200,920 S 4/1965 Surratt
- D207,116 S 3/1967 Phillips
- D211,047 S 5/1968 Johnson
- 3,400,591 A 9/1968 Larson
- 3,490,290 A 1/1970 Bilson
- 3,526,138 A 9/1970 Swett et al.
- 2,099,430 A 11/1973 Quea
- 3,795,062 A 3/1974 Lamb
- 3,931,741 A 1/1976 Ceccarelli
- D247,412 S 3/1978 Montesi
- D255,973 S \* 7/1980 Morin ..... D7/653
- D257,549 S 11/1980 Chapman

(Continued)

*Primary Examiner* — Ian Simmons

*Assistant Examiner* — Shannon Morgan

(74) *Attorney, Agent, or Firm* — Lowe Graham Jones PLLC

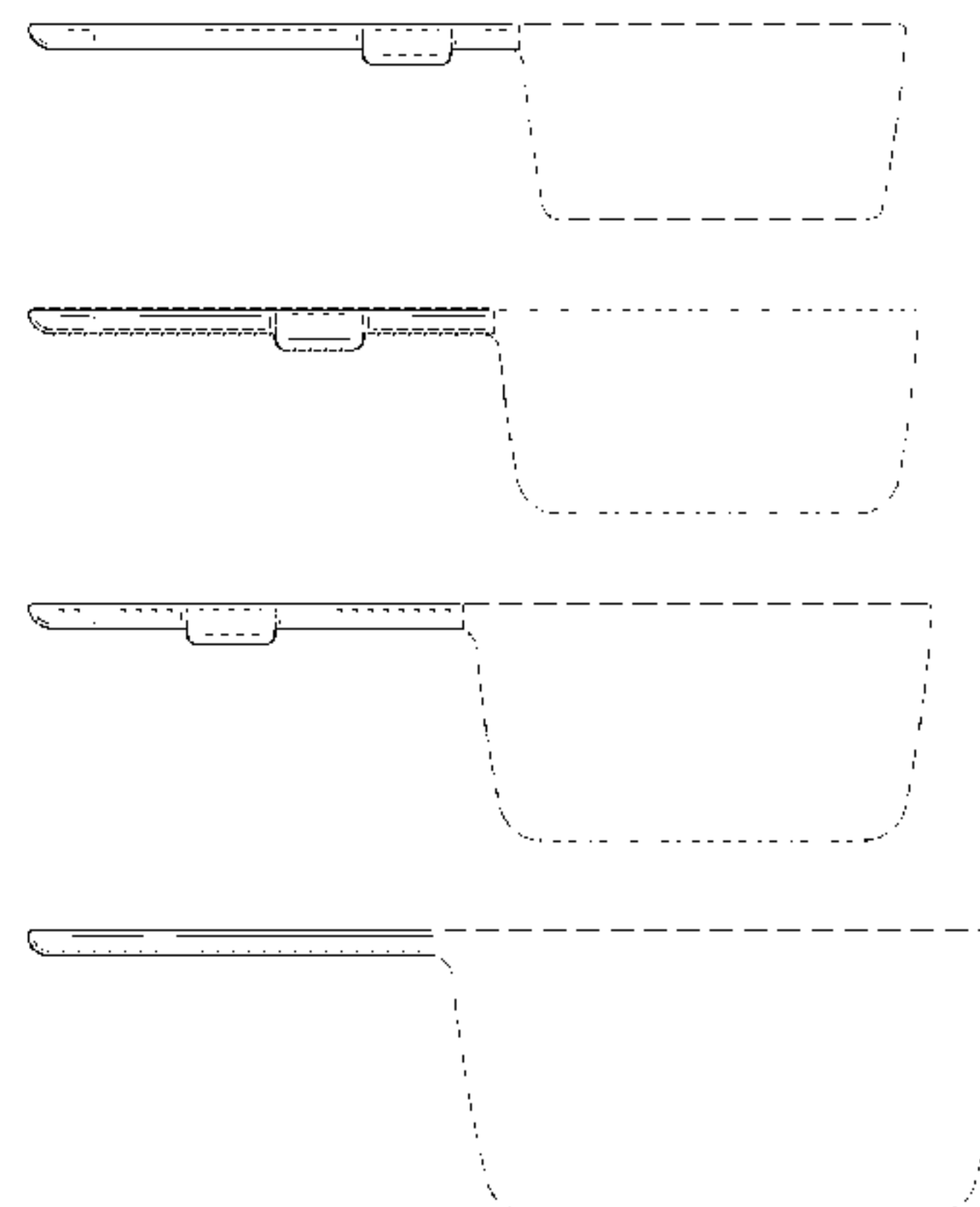
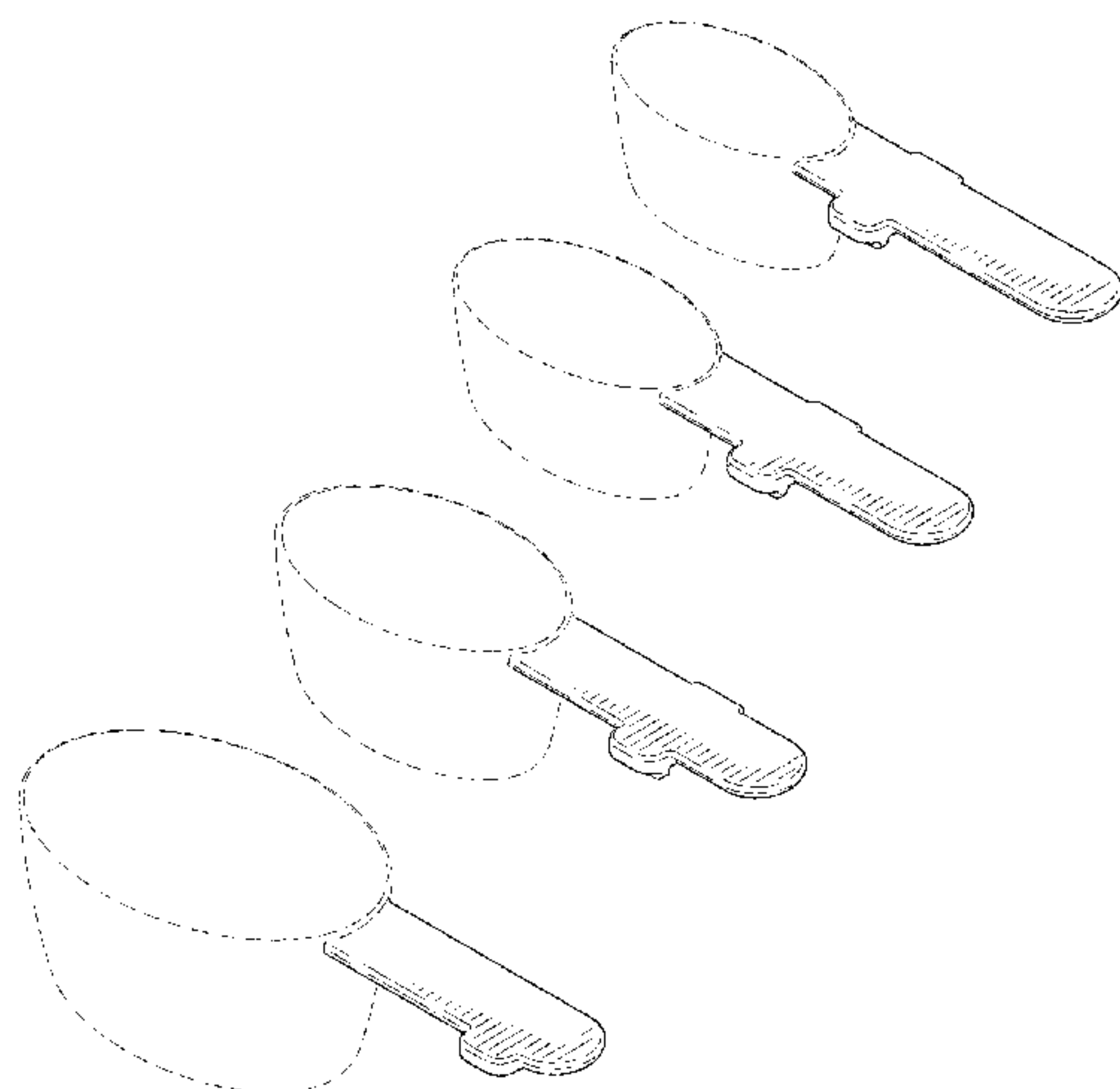
(57) **CLAIM**

The ornamental design for a measuring cup set, as shown and described.

**DESCRIPTION**

FIG. 1 is a top perspective view of a measuring cup set showing our new design;  
 FIG. 2 is a front elevational view thereof;  
 FIG. 3 is a top plan view thereof;  
 FIG. 4 is a left side elevational view thereof;  
 FIG. 5 is a rear elevational view thereof;  
 FIG. 6 is a right side elevational view thereof; and,  
 FIG. 7 is a bottom plan view thereof.  
 The broken lines shown in FIGS. 1-7 represent portions of the measuring cup set that form no part of the claimed design.

**1 Claim, 7 Drawing Sheets**



(56)

References Cited

U.S. PATENT DOCUMENTS

D294,213 S	2/1988	Chasen	
D302,089 S *	7/1989	Ancona et al. ....	D10/46.2
D302,920 S	8/1989	Ancona et al.	
D306,324 S	2/1990	Dykes	
D321,328 S	11/1991	Duquet	
D328,867 S *	8/1992	Watt et al. ....	D10/46.2
D332,579 S *	1/1993	Goldman .....	D10/46.2
D339,992 S *	10/1993	Goldman .....	D10/46.2
D344,686 S	3/1994	Weterrings	
5,419,454 A	5/1995	Stowell et al.	
D375,353 S *	11/1996	Wolff .....	D24/116
D396,011 S	7/1998	Henriksson	
D403,256 S *	12/1998	Weterrings .....	D10/46.3
D403,600 S	1/1999	Conforti et al.	
D404,663 S	1/1999	Prindle	
5,918,922 A	7/1999	Lathrop et al.	
D412,448 S	8/1999	Bentson	
6,116,772 A	9/2000	DiGiacomo et al.	
D437,793 S	2/2001	Kaposi et al.	
D438,125 S *	2/2001	Kaposi et al. ....	D10/46.2
D439,175 S *	3/2001	Kerr .....	D10/46.3
D443,836 S	6/2001	Wright	
6,263,732 B1	7/2001	Hoeting et al.	
D450,605 S	11/2001	Wright	
6,408,521 B1 *	6/2002	Pye et al. ....	30/141
6,543,284 B2	4/2003	Hoeting et al.	
D480,318 S *	10/2003	Settele .....	D10/46.3
D483,478 S *	12/2003	Carraher .....	D24/116
D484,425 S *	12/2003	Settele .....	D10/46.3
D486,745 S	2/2004	Mastroianni	
D494,877 S *	8/2004	Kempe et al. ....	D10/46.3
D514,458 S	2/2006	Lawson et al.	
D518,391 S	4/2006	McGuyer	
D518,392 S	4/2006	Kaposi	
D530,632 S	10/2006	Kaposi	
D532,321 S	11/2006	Heiligenstein et al.	
D548,116 S *	8/2007	Curtin .....	D10/46.3
D551,918 S *	10/2007	Laib .....	D7/691
D582,298 S *	12/2008	Vendl et al. ....	D10/46.3
D584,968 S *	1/2009	Mantilla et al. ....	D10/46.3
D589,379 S *	3/2009	Zerlin .....	D10/46.2
D615,886 S *	5/2010	Pallotto .....	D10/46.2
D648,847 S *	11/2011	Evans et al. ....	D24/116
D648,848 S *	11/2011	Evans et al. ....	D24/116
2012/0222482 A1 *	9/2012	Kern et al. ....	73/426

\* cited by examiner

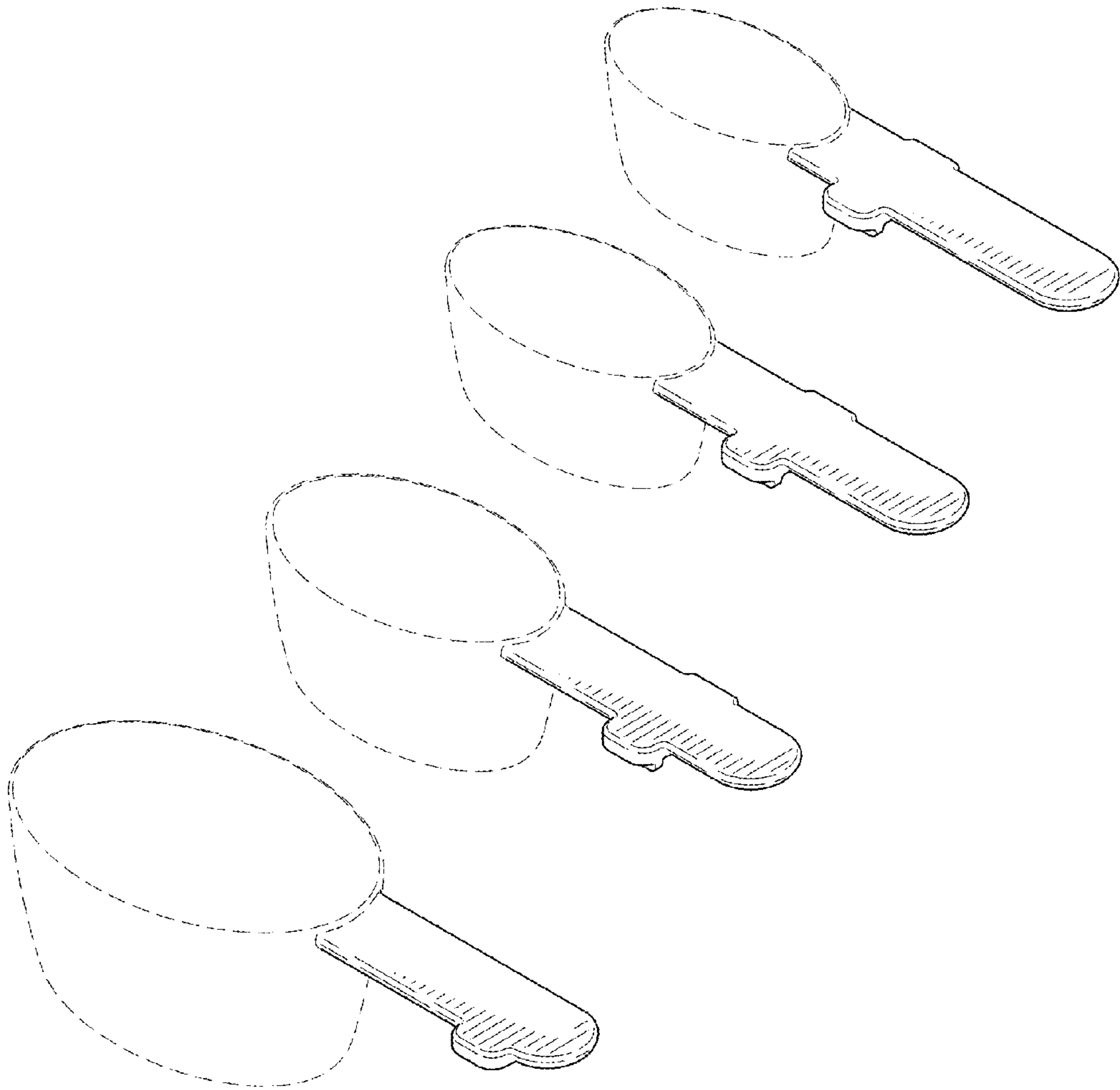


FIG.1

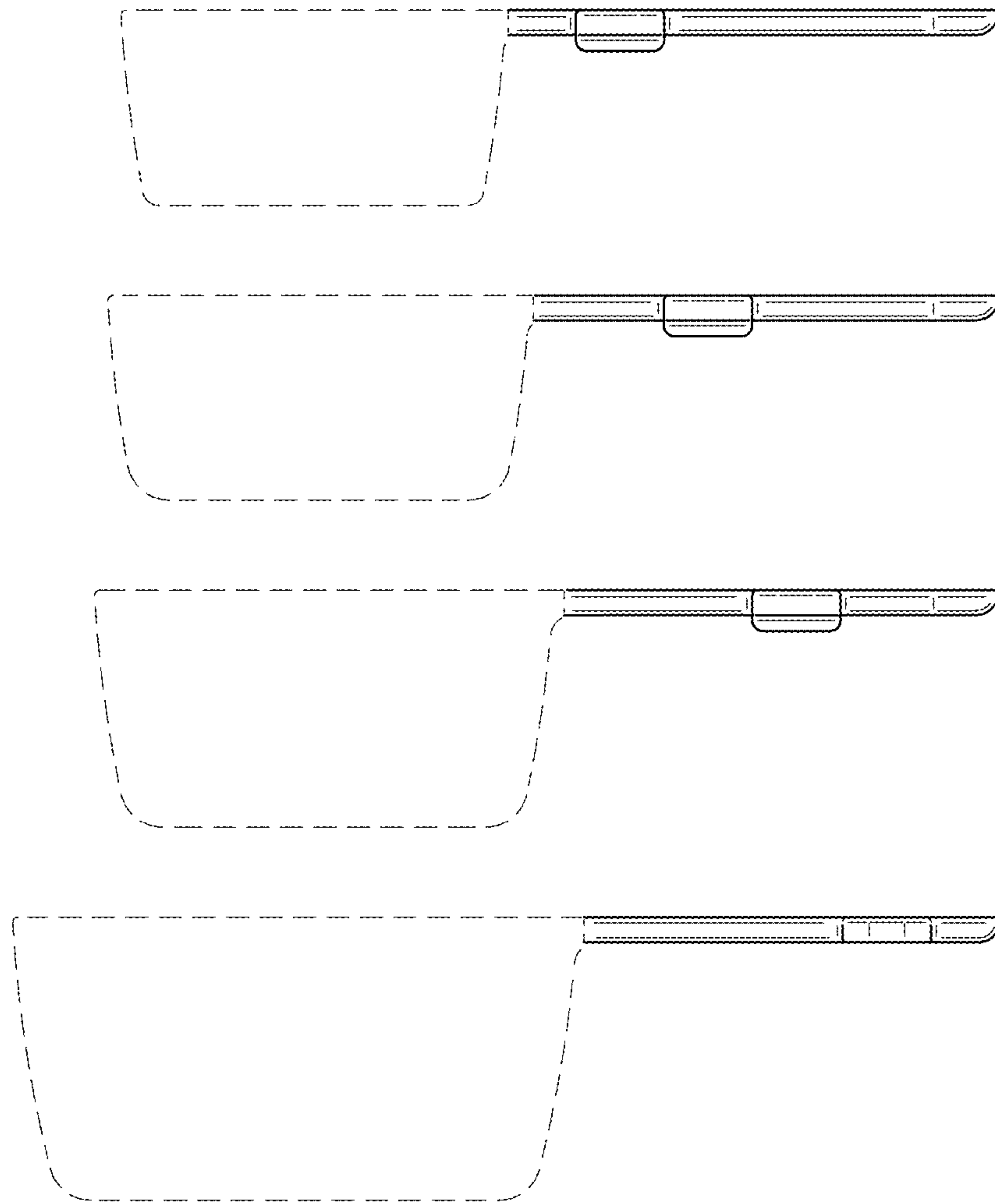


FIG.2

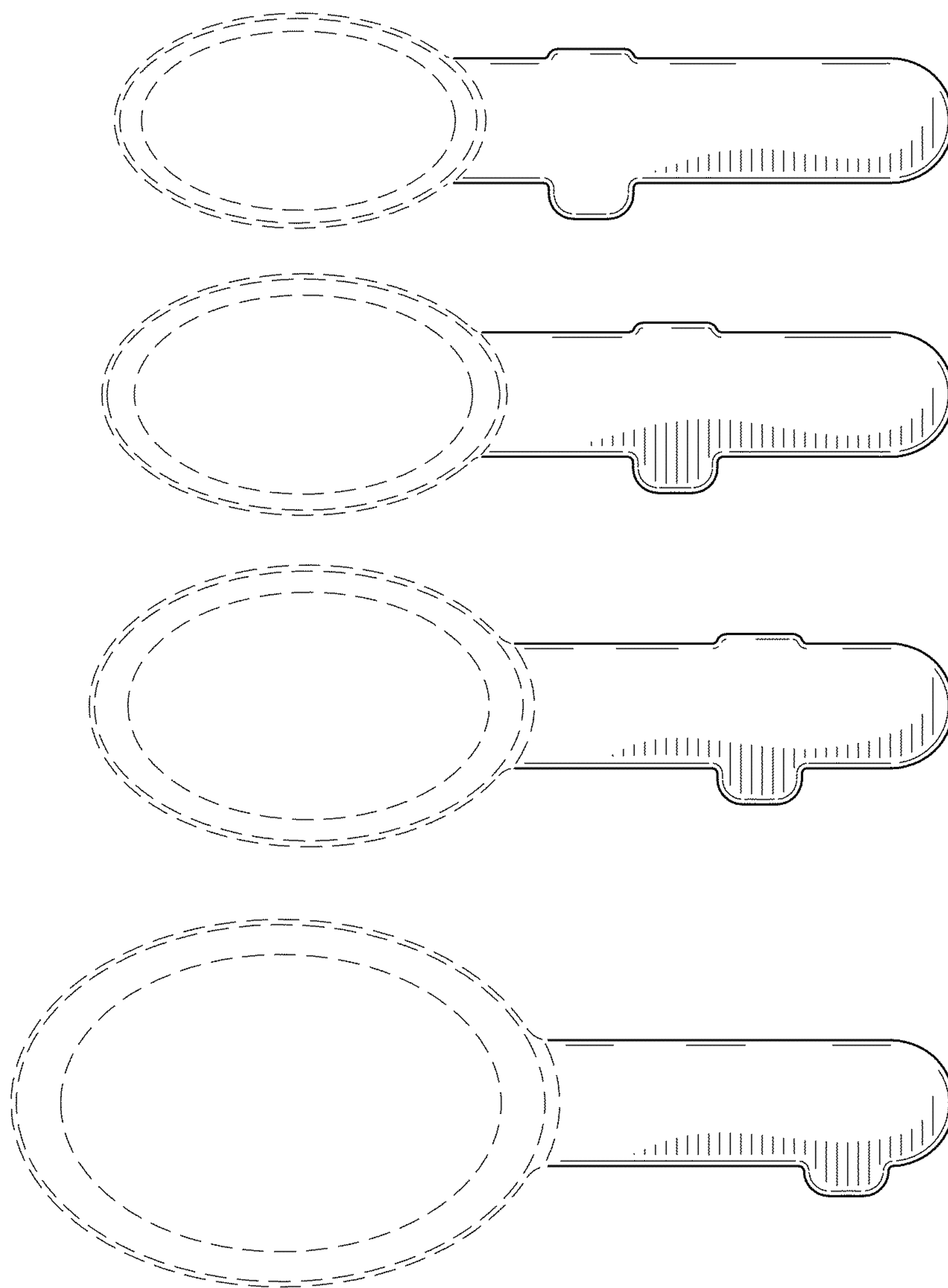


FIG. 3

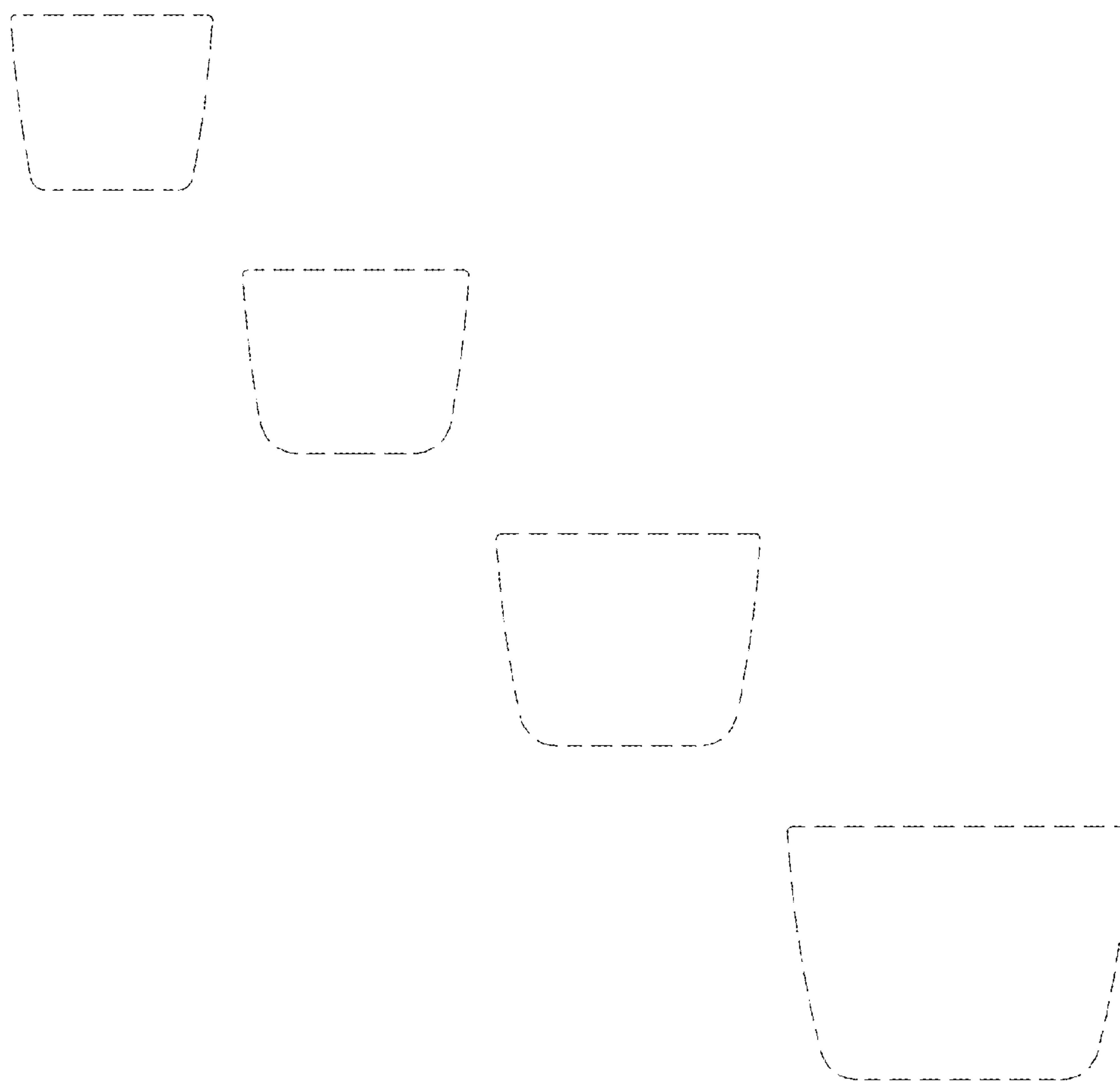


FIG.4

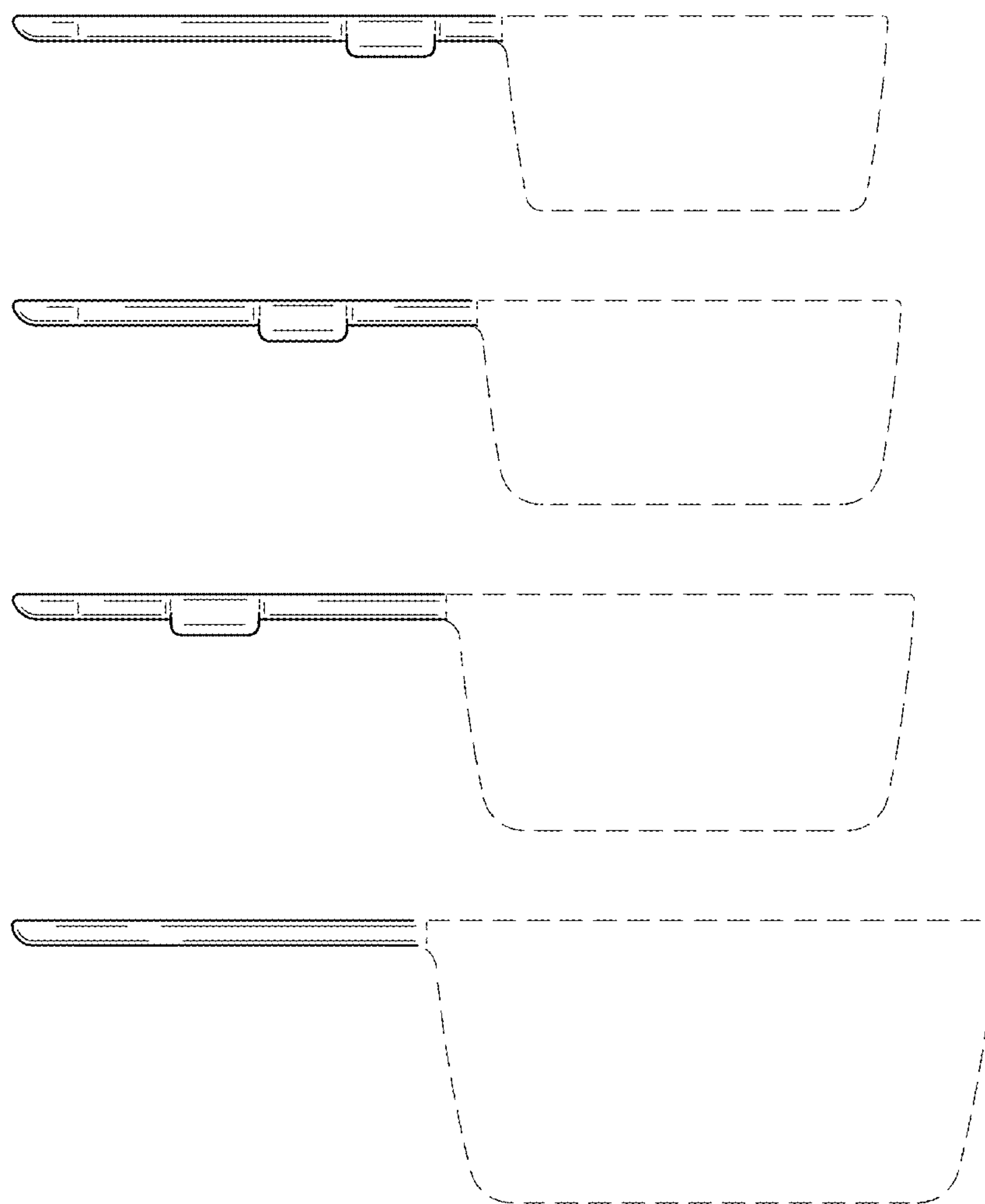


FIG. 5



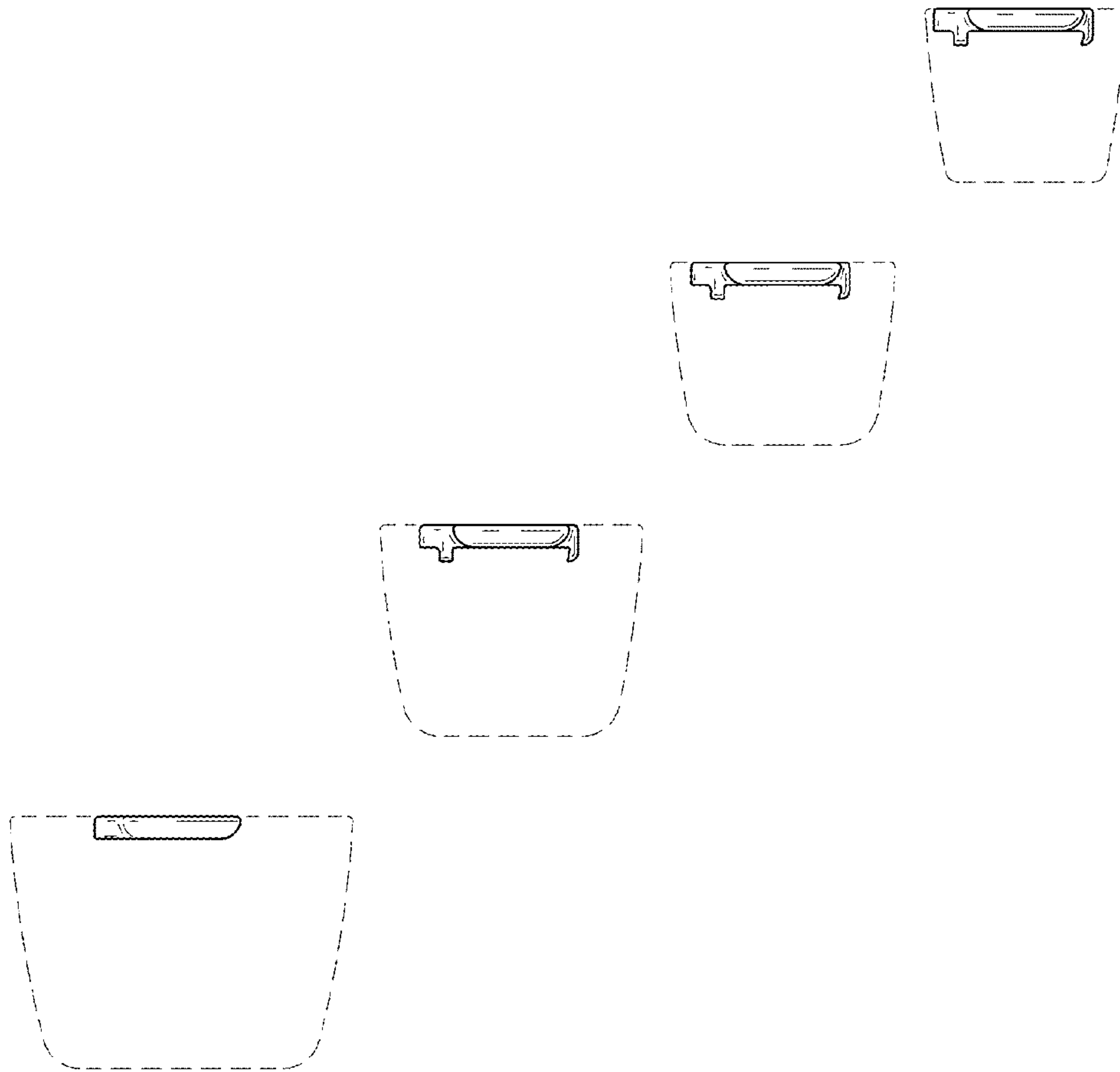


FIG.6



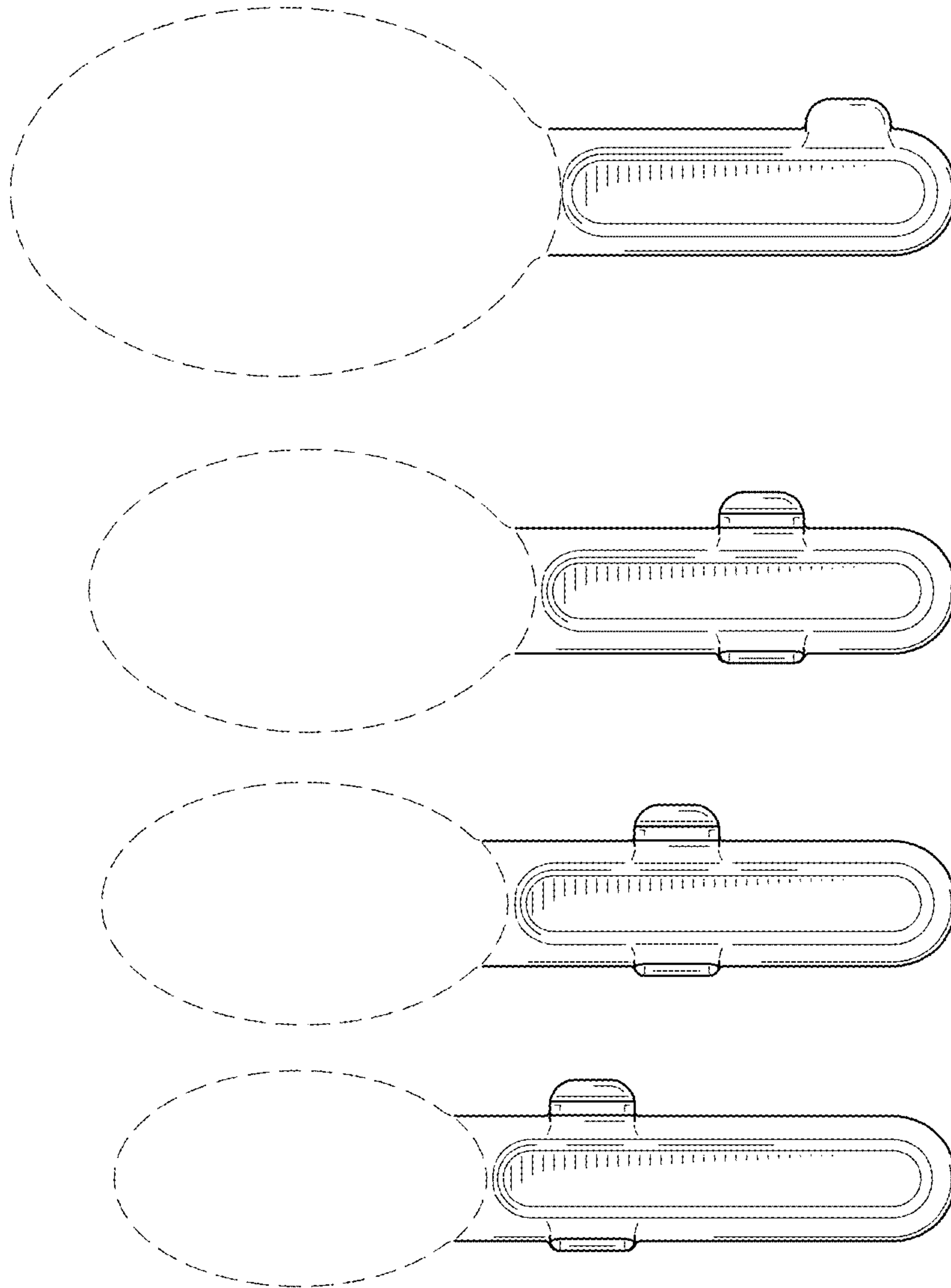


FIG. 7