



US00D730752S

(12) **United States Design Patent**
Clark et al.

(10) **Patent No.:** **US D730,752 S**
(45) **Date of Patent:** **** Jun. 2, 2015**

- (54) **MEASURING SPOON SET**
- (71) Applicant: **Progressive International Corporation,**
Kent, WA (US)
- (72) Inventors: **Joanna Clark,** Tacoma, WA (US); **Sul**
Gi Myoung, Federal Way, WA (US)
- (73) Assignee: **Progressive International Corporation,**
Kent, WA (US)
- (**) Term: **14 Years**
- (21) Appl. No.: **29/443,037**
- (22) Filed: **Jan. 11, 2013**
- (51) **LOC (10) Cl.** **10-04**
- (52) **U.S. Cl.**
USPC **D10/46.3**
- (58) **Field of Classification Search**
USPC D10/46.3, 46, 46.1, 46.2, 61, 96, 101,
D10/103, 81; D7/691, 692, 643, 647, 653,
D7/587, 590, 600.1, 533, 505, 543, 545,
D7/601, 300, 637-638, 688, 693, 368, 213,
D7/536, 500, 316, 318; 73/426-429, 1.73,
73/290 R, 291; 294/176, 178, 179, 180;
206/519, 520; 30/324-328; 222/548,
222/143, 553, 465, 466, 467, 499, 501,
222/23.83; D24/116
CPC ... G01F 19/002; G01F 19/00; B65D 33/1616;
B65D 77/245; B65D 21/00; A47G 19/00;
A61J 7/00; A61J 7/0023; B29C 45/16; B29C
2045/1659; B29K 2995/0018; A01B 1/02
See application file for complete search history.

(56) **References Cited**

U.S. PATENT DOCUMENTS

- 153,159 A 7/1874 Dinwiddie
- 423,018 A 3/1890 Young
- D49,817 S * 10/1916 Forster D10/46.3

- 1,228,373 A 5/1917 Kristofek
- D127,611 S * 6/1941 Hadfield D10/46.3
- D141,881 S * 7/1945 Mathewson D10/46.3
- D156,814 S * 1/1950 Chester D10/46.3
- D156,850 S * 1/1950 Shirley D10/46.3
- 2,496,268 A * 2/1950 Chester 73/429
- 2,654,252 A * 10/1953 Davis 73/426
- 2,654,253 A 10/1953 Davis
- 2,683,374 A * 7/1954 Finley 73/426
- 2,758,771 A 8/1956 Bauer
- D197,025 S 12/1963 Marcus
- D200,920 S 4/1965 Surratt
- D207,116 S 3/1967 Phillips
- D211,047 S 5/1968 Johnson
- 3,400,591 A 9/1968 Larson
- 3,490,290 A 1/1970 Bilson
- 3,526,138 A 9/1970 Swett et al.
- 2,099,430 A 11/1973 Quea
- 3,795,062 A 3/1974 Lamb
- 3,931,741 A 1/1976 Ceccarelli
- D247,412 S 3/1978 Montesi
- D255,973 S * 7/1980 Morin D7/653
- D257,549 S 11/1980 Chapman

(Continued)

Primary Examiner — Ian Simmons

Assistant Examiner — Shannon Morgan

(74) *Attorney, Agent, or Firm* — Lowe Graham Jones PLLC

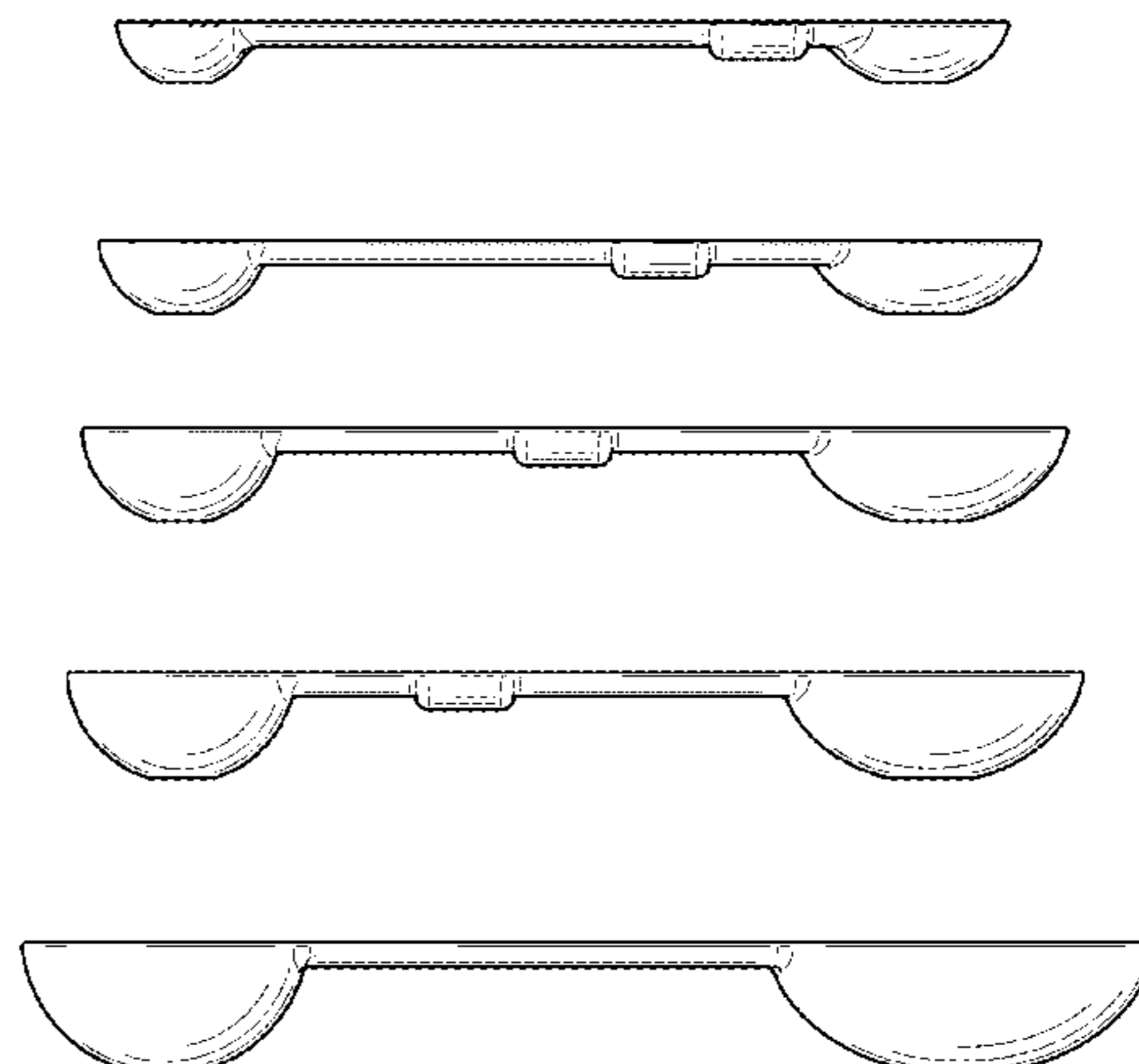
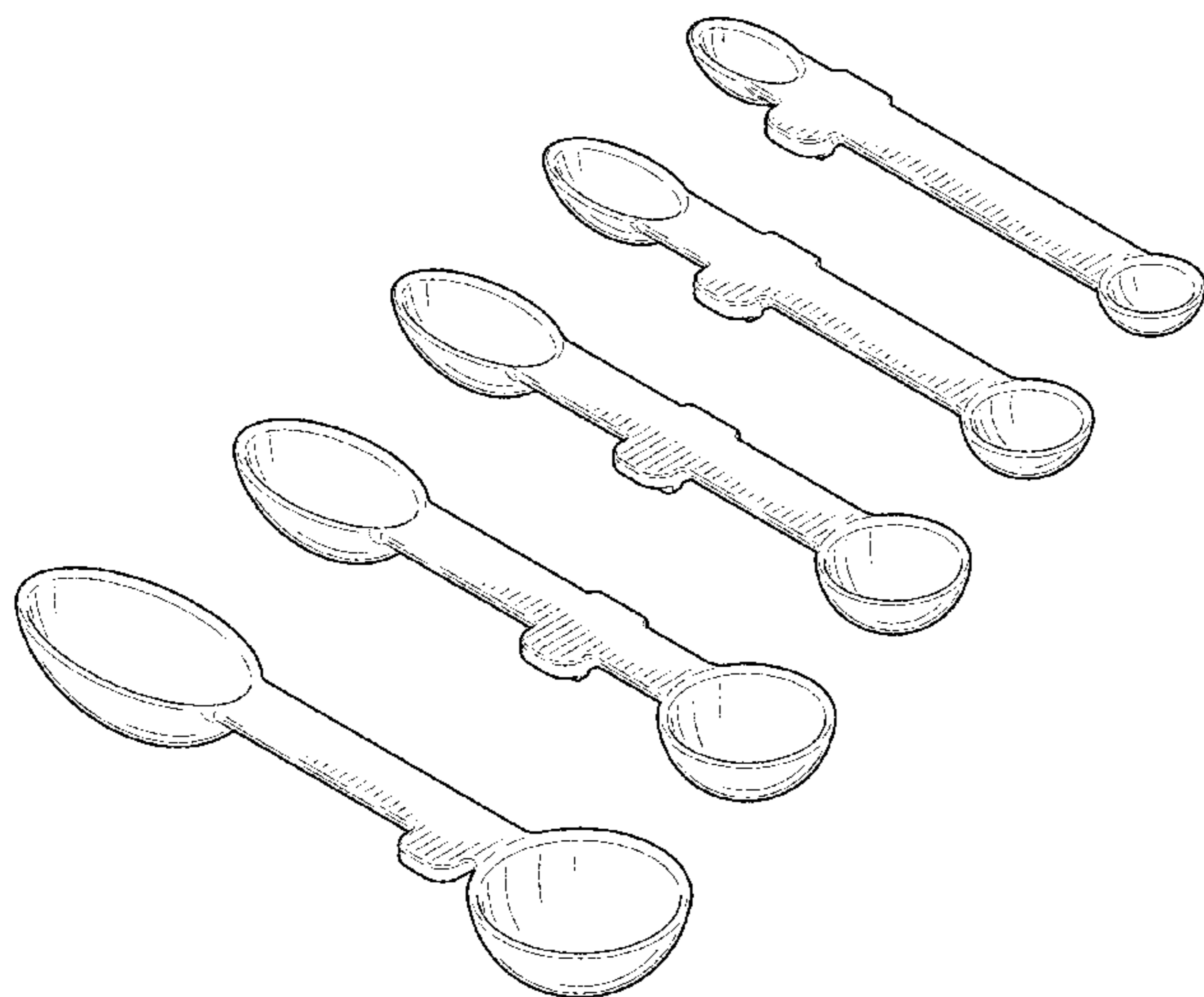
(57) **CLAIM**

The ornamental design for a measuring spoon set, as shown and described.

DESCRIPTION

FIG. 1 is a top perspective view of a measuring spoon set showing our new design;
 FIG. 2 is a top plan view thereof;
 FIG. 3 is a front elevational view thereof;
 FIG. 4 is a rear elevational view thereof;
 FIG. 5 is a right side elevational view thereof;
 FIG. 6 is a left side elevational view thereof; and,
 FIG. 7 is a bottom plan view thereof.

1 Claim, 7 Drawing Sheets



(56)

References Cited

U.S. PATENT DOCUMENTS

4,425,711	A *	1/1984	Wood et al.	30/324	D450,605	S	11/2001	Wright	
D294,213	S	2/1988	Chasen		6,408,521	B1 *	6/2002	Pye et al.	30/141
D302,920	S	8/1989	Ancona et al.		6,543,284	B2	4/2003	Hoeting et al.	
D306,324	S	2/1990	Dykes		D480,318	S *	10/2003	Settele	D10/46.3
D321,328	S	11/1991	Duquet		D483,478	S *	12/2003	Carraher	D24/116
D332,579	S *	1/1993	Goldman	D10/46.2	D484,425	S *	12/2003	Settele	D10/46.3
D339,992	S *	10/1993	Goldman	D10/46.2	D486,745	S	2/2004	Mastroianni	
D344,686	S	3/1994	Weterrings		D494,877	S *	8/2004	Kempe et al.	D10/46.3
5,419,454	A	5/1995	Stowell et al.		D514,458	S	2/2006	Lawson et al.	
D375,353	S *	11/1996	Wolff	D24/116	D518,391	S	4/2006	McGuyer	
D396,011	S	7/1998	Henriksson		D518,392	S	4/2006	Kaposi	
D403,256	S *	12/1998	Weterrings	D10/46.3	D530,632	S	10/2006	Kaposi	
D403,600	S	1/1999	Conforti et al.		D531,918	S *	11/2006	Heiligenstein et al.	D10/46.2
D404,663	S	1/1999	Prindle		D532,321	S *	11/2006	Heiligenstein et al.	
5,918,922	A	7/1999	Lathrop et al.		D548,116	S *	8/2007	Curtin	D10/46.3
D412,448	S	8/1999	Bentson		D551,918	S *	10/2007	Laib	D7/691
6,116,772	A	9/2000	DiGiacomo et al.		D582,298	S *	12/2008	Vendl et al.	D10/46.3
D438,125	S *	2/2001	Kaposi et al.	D10/46.2	D584,968	S *	1/2009	Mantilla et al.	D10/46.3
D439,175	S *	3/2001	Kerr	D10/46.3	D589,379	S *	3/2009	Zerlin	D10/46.2
D443,836	S	6/2001	Wright		D615,886	S *	5/2010	Pallotto	D10/46.2
6,263,732	B1	7/2001	Hoeting et al.		D648,847	S *	11/2011	Evans et al.	D24/116
					D648,848	S *	11/2011	Evans et al.	D24/116
					8,683,705	B2 *	4/2014	Evans et al.	30/324
					2012/0000286	A1 *	1/2012	Binns	73/426

* cited by examiner

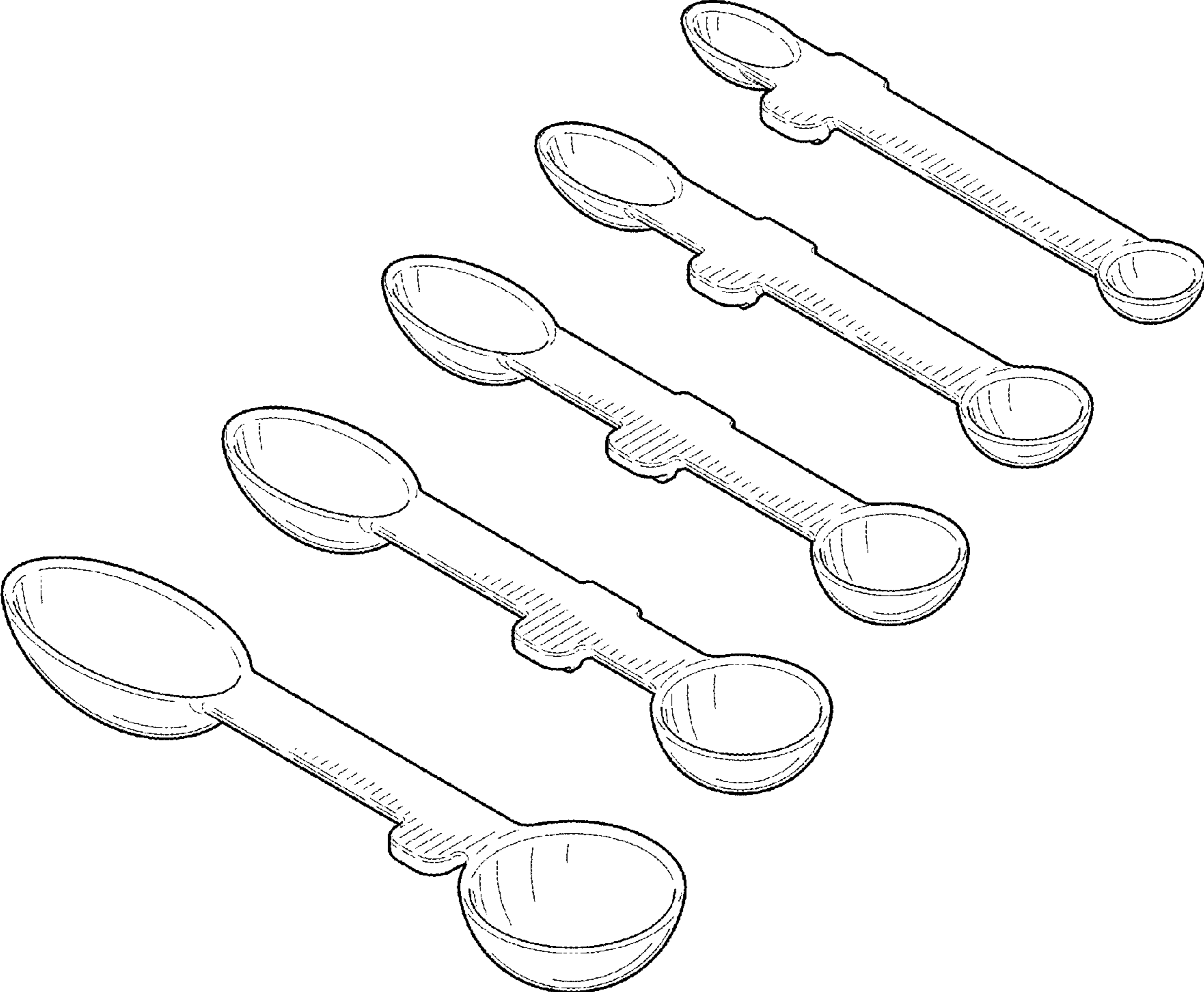


FIG.1

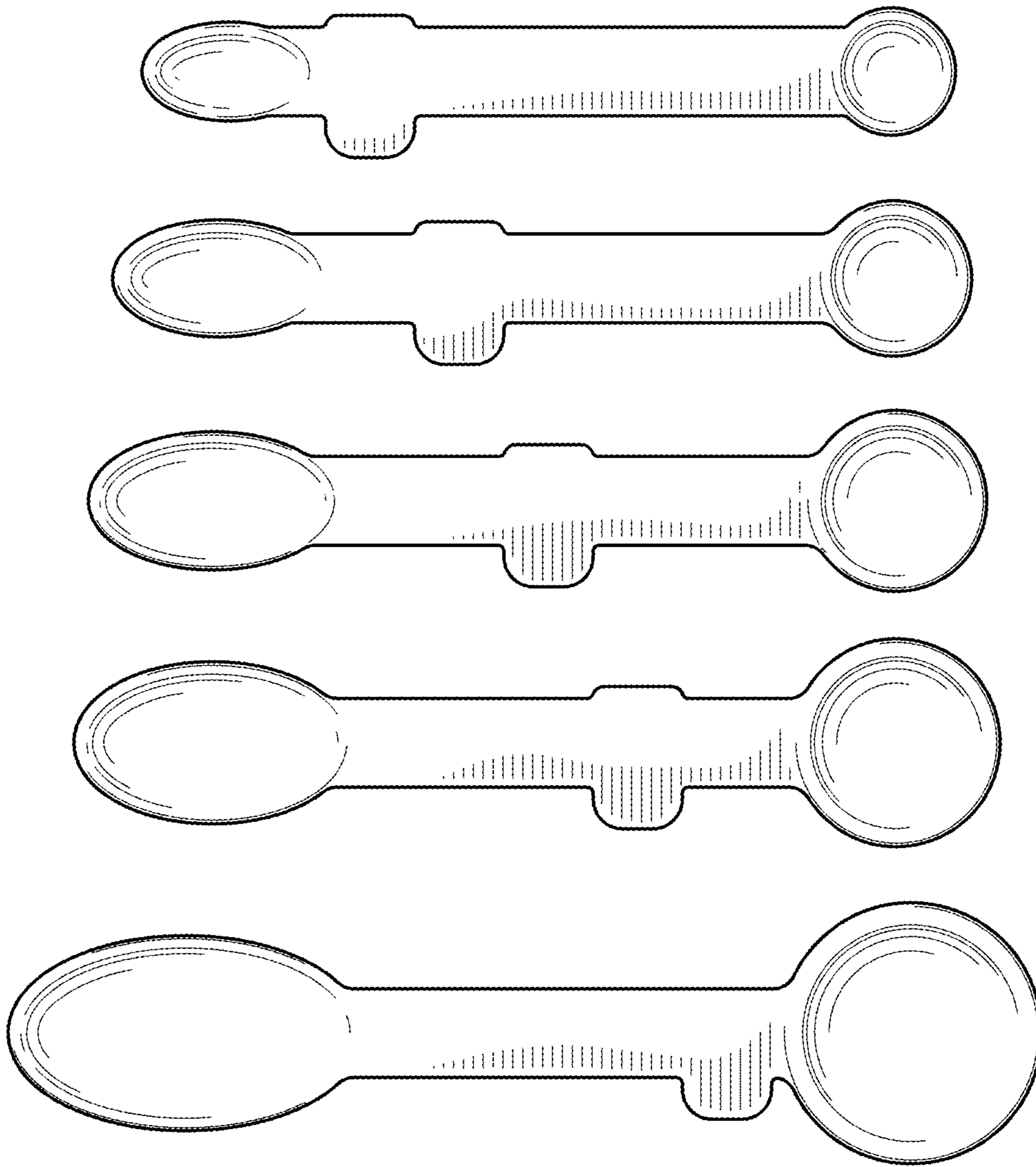


FIG.2

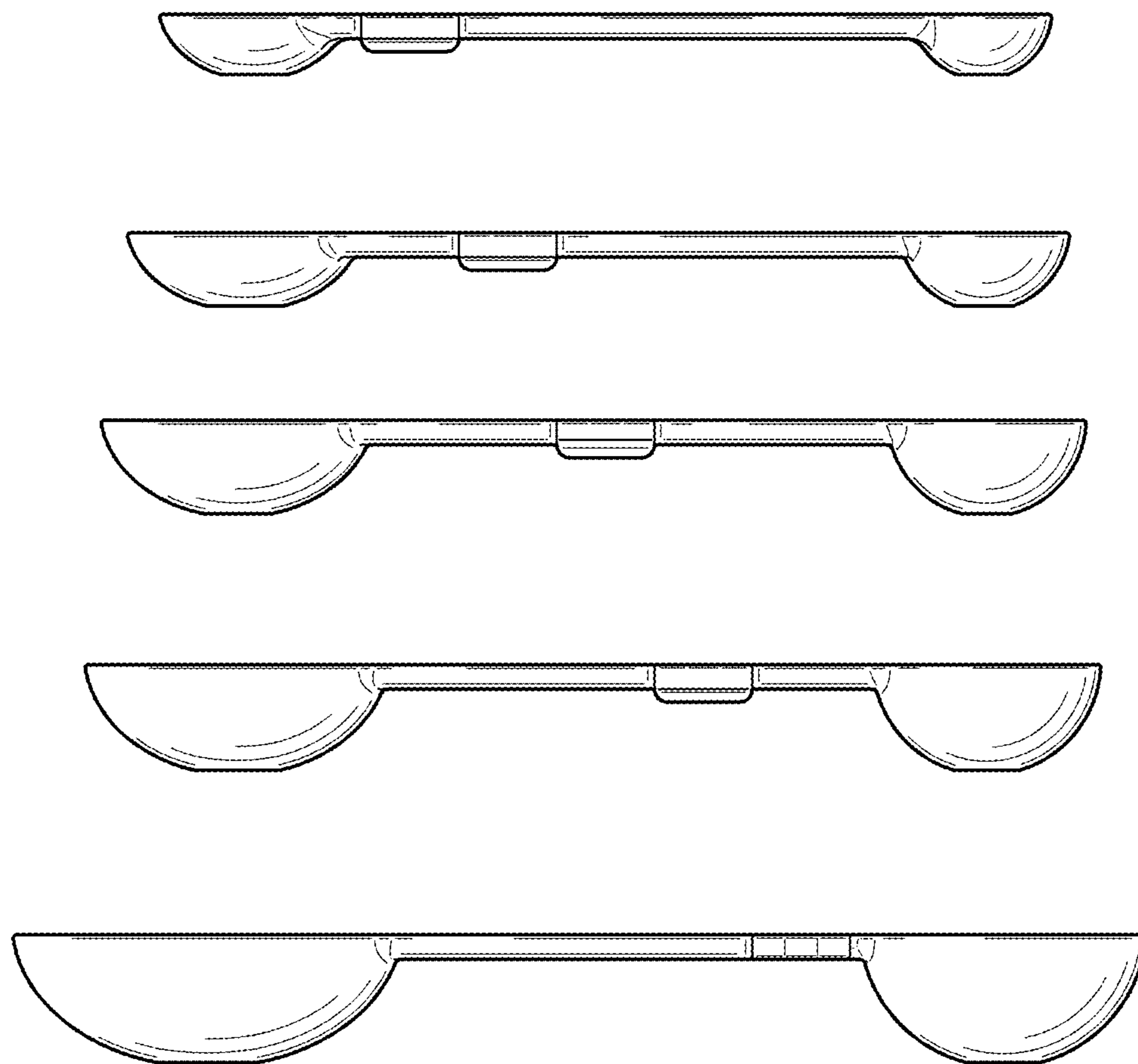


FIG. 3

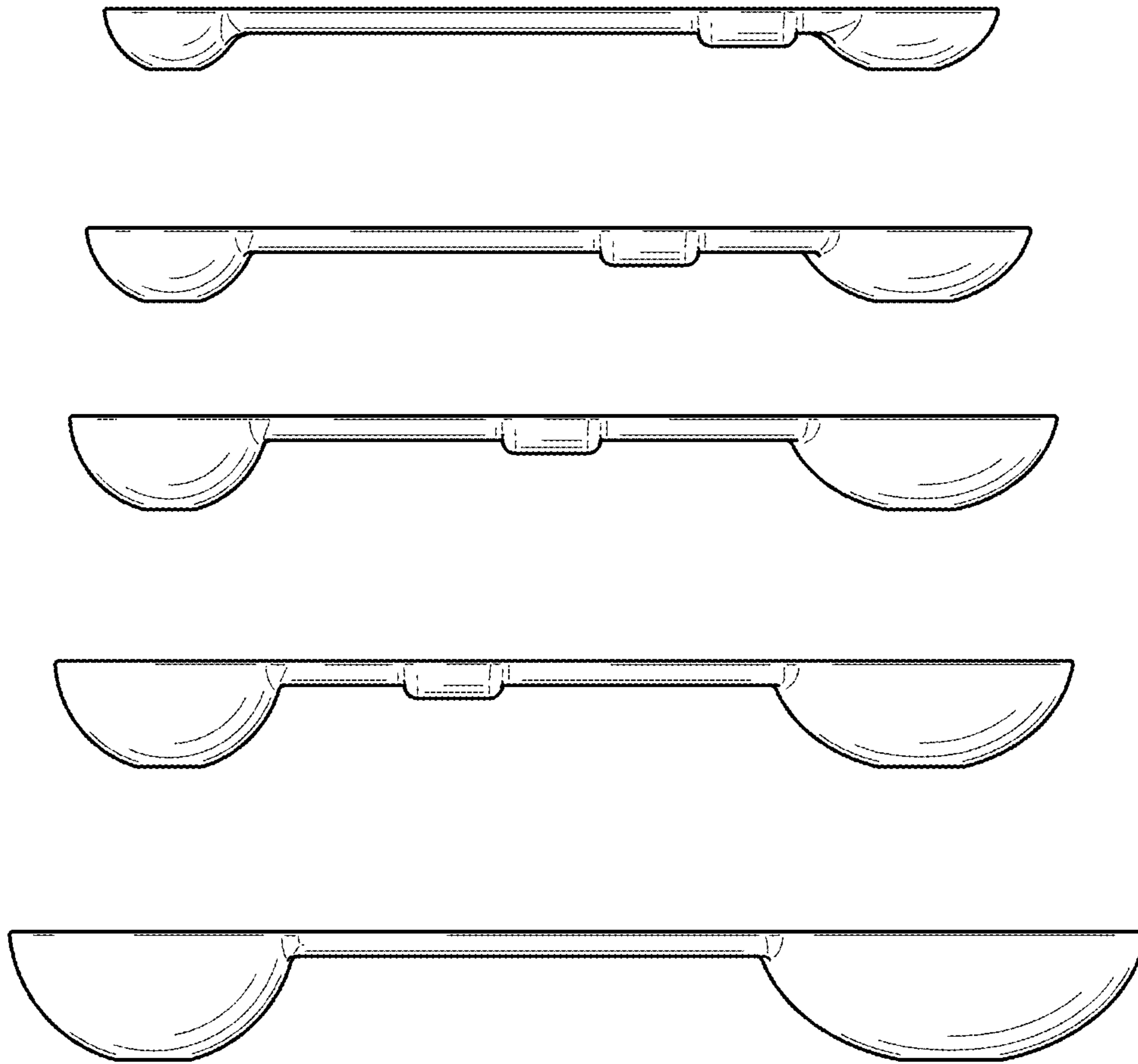


FIG.4



FIG.5



FIG.6

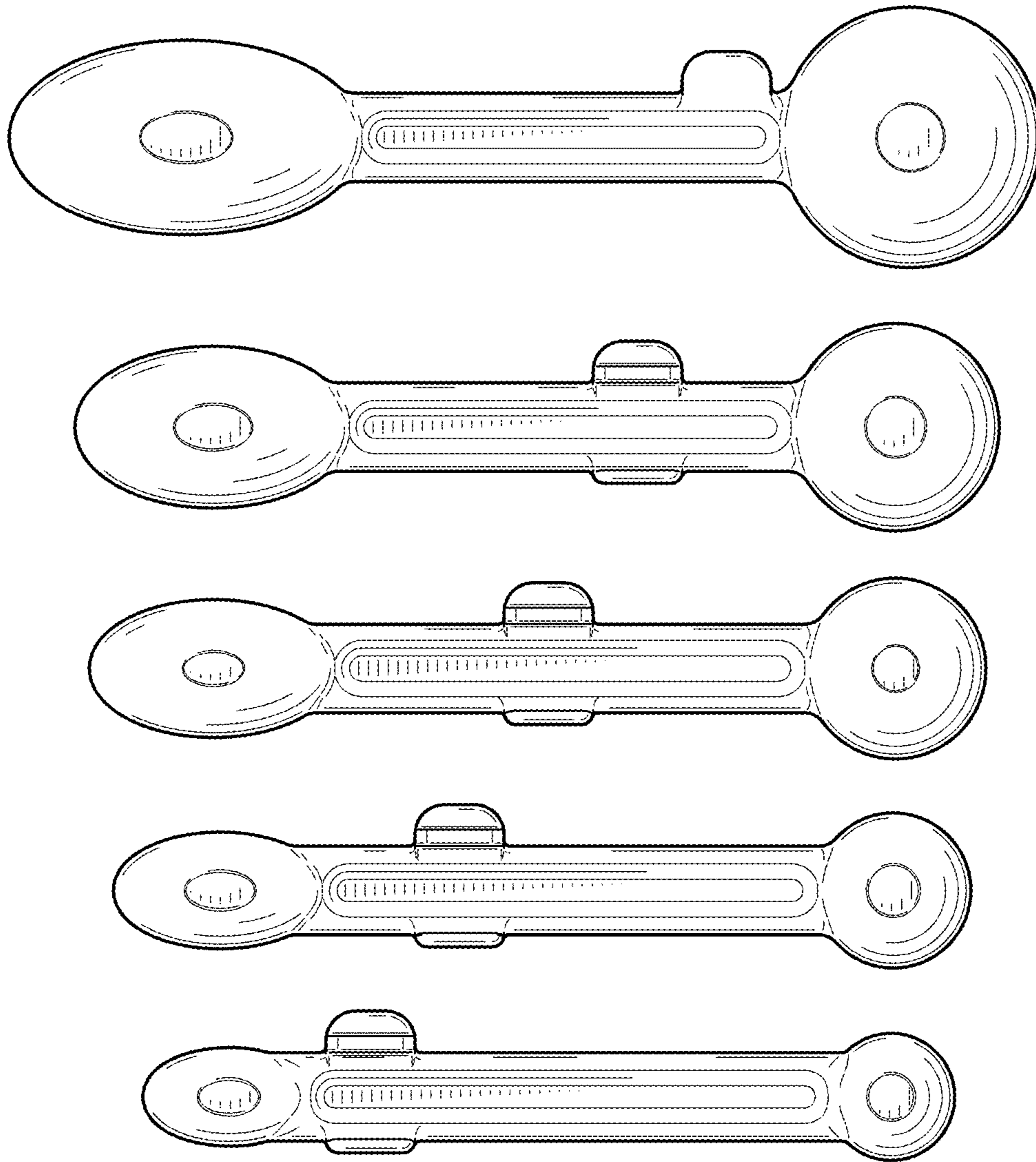


FIG. 7