



US00D730751S

(12) **United States Design Patent**
Belamich

(10) **Patent No.:** **US D730,751 S**

(45) **Date of Patent:** **** Jun. 2, 2015**

(54) **WATCH**

(75) Inventor: **Bruno Belamich**, Paris (FR)

(73) Assignee: **BELL & ROSS B.V.**, Zoetermeer (NL)

(**) Term: **14 Years**

(21) Appl. No.: **29/425,098**

(22) Filed: **Jun. 20, 2012**

(30) **Foreign Application Priority Data**

Feb. 14, 2012 (WO) DM/077 808

(51) **LOC (10) Cl.** **10-02**

(52) **U.S. Cl.**
USPC **D10/39; D10/126**

(58) **Field of Classification Search**

USPC D10/30-39, 122-132, 1-29; 368/10,
368/15-20, 28, 29, 62, 80, 82, 88, 104, 223,
368/228, 232, 294, 295, 308, 309, 319
CPC G04B 19/00; G04B 19/04; G04B 19/06;
G04B 37/00; G04B 37/0008; G04B 37/0058;
G04B 39/00; G04B 39/002; G04B 39/006;
G04C 3/00; G04F 7/00; G04F 7/08; G04G
17/00; G04G 17/08

See application file for complete search history.

(56) **References Cited**

U.S. PATENT DOCUMENTS

490,123	A *	1/1893	Nicolet	368/104
2,044,808	A *	6/1936	Povelsen	368/28
D331,884	S *	12/1992	Wunderman	D10/32
D348,844	S *	7/1994	Franchi	D10/39
D388,204	S *	12/1997	Oba	D10/39
D453,690	S *	2/2002	D'Origny	D10/39
D491,473	S *	6/2004	Afshar	D10/32
D531,916	S *	11/2006	Galli	D10/31
D577,610	S *	9/2008	Emch Ducommun	D10/32
D616,310	S *	5/2010	Loth	D10/32
D623,542	S *	9/2010	Fontana	D10/39

* cited by examiner

Primary Examiner — Martie K Holtje

(74) *Attorney, Agent, or Firm* — Marshall, Gerstein & Borun LLP

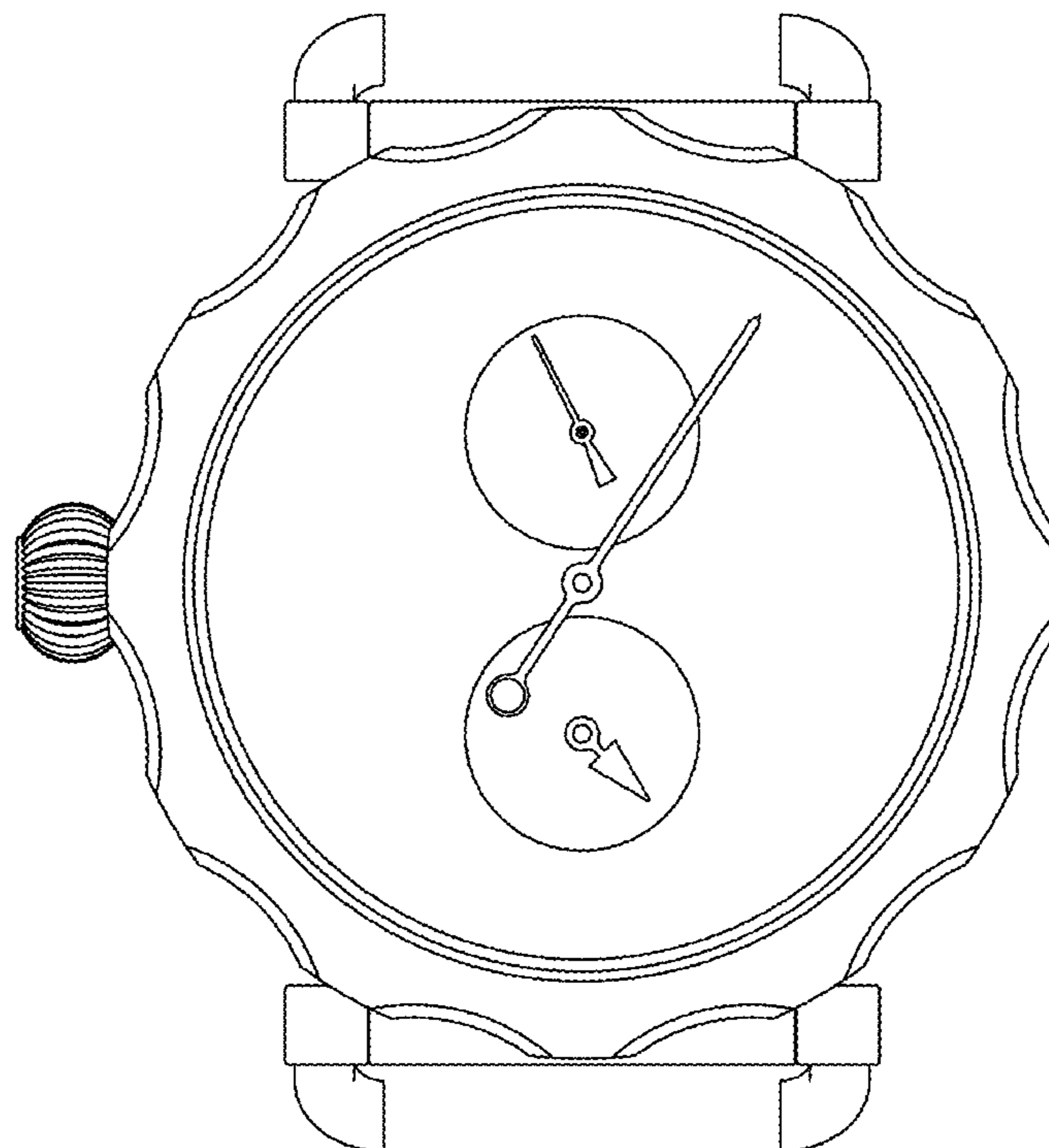
(57) **CLAIM**

The ornamental design for a watch, as shown and described.

DESCRIPTION

FIG. 1 is a front elevation view of a watch that has the design. FIG. 2 is a left side elevation view of the watch. FIG. 3 is a right side elevation view of the watch. FIG. 4 is a rear elevation view of the watch. FIG. 5 is a top view of the watch. FIG. 6 is a bottom view of the watch; and, FIG. 7 is a right front perspective view of the watch. The structural feature depicted by broken lines in FIG. 4 has been shown for the purpose of illustrating a portion of the watch that forms no part of the claimed design.

1 Claim, 5 Drawing Sheets



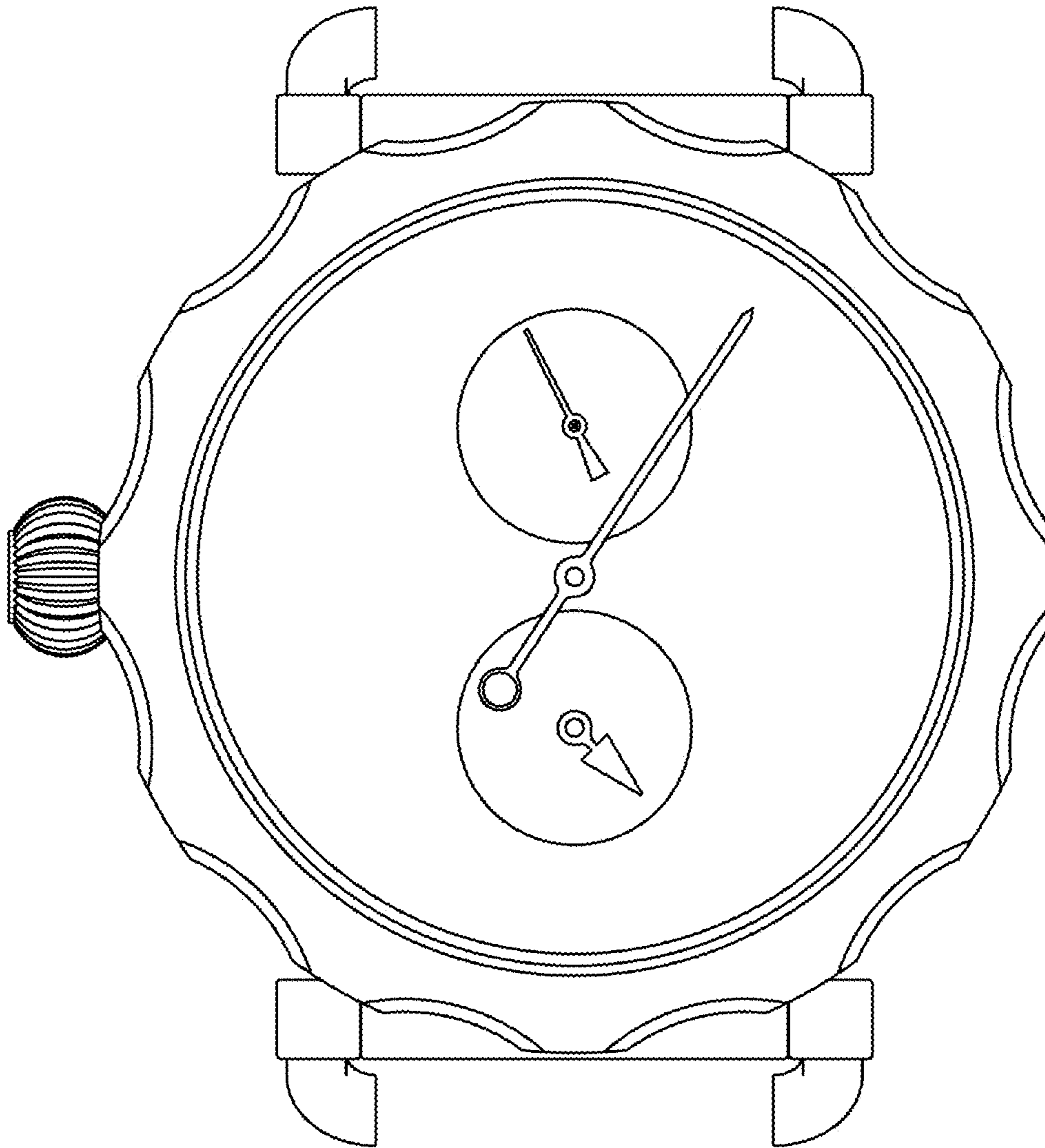


Fig. 1

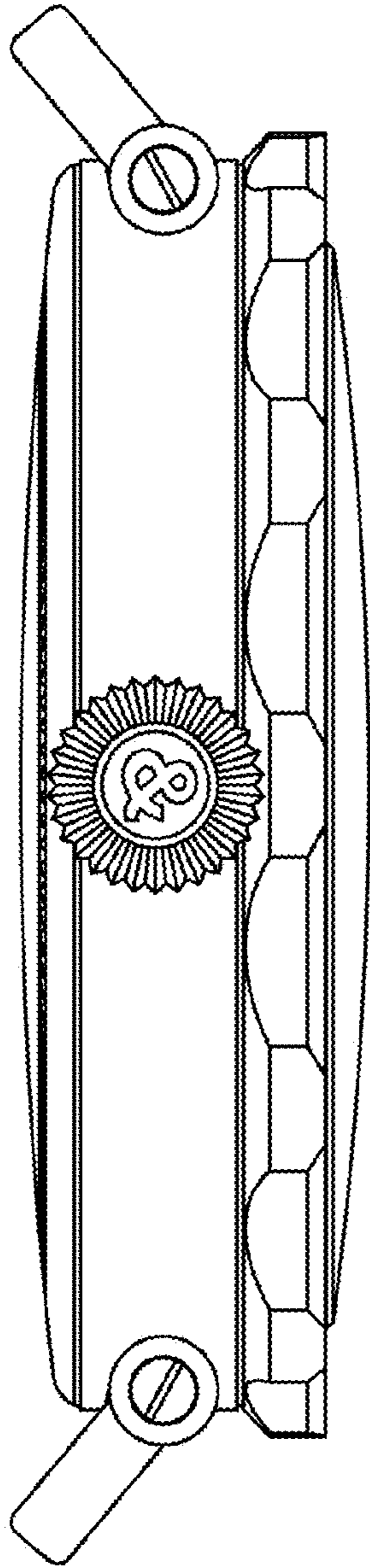


Fig. 2

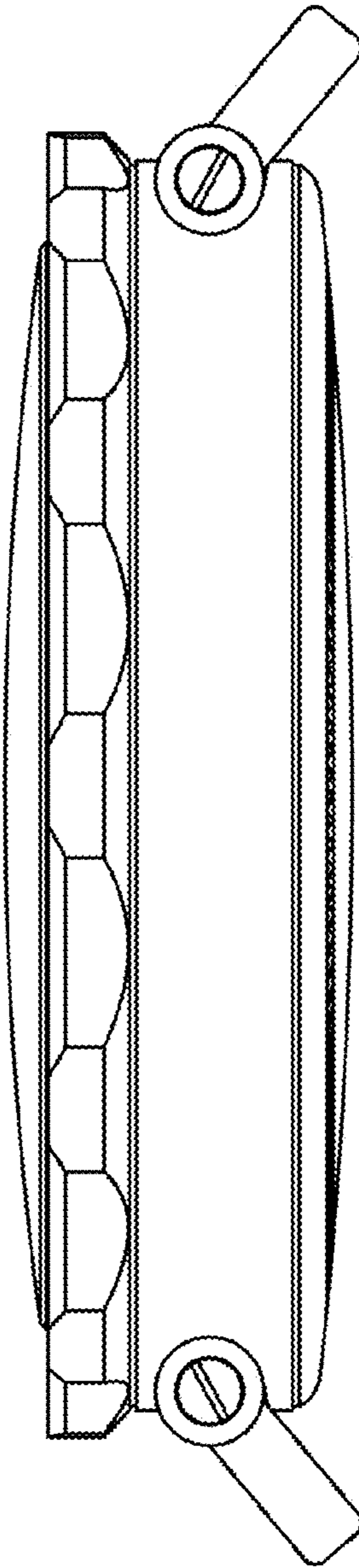


Fig. 3

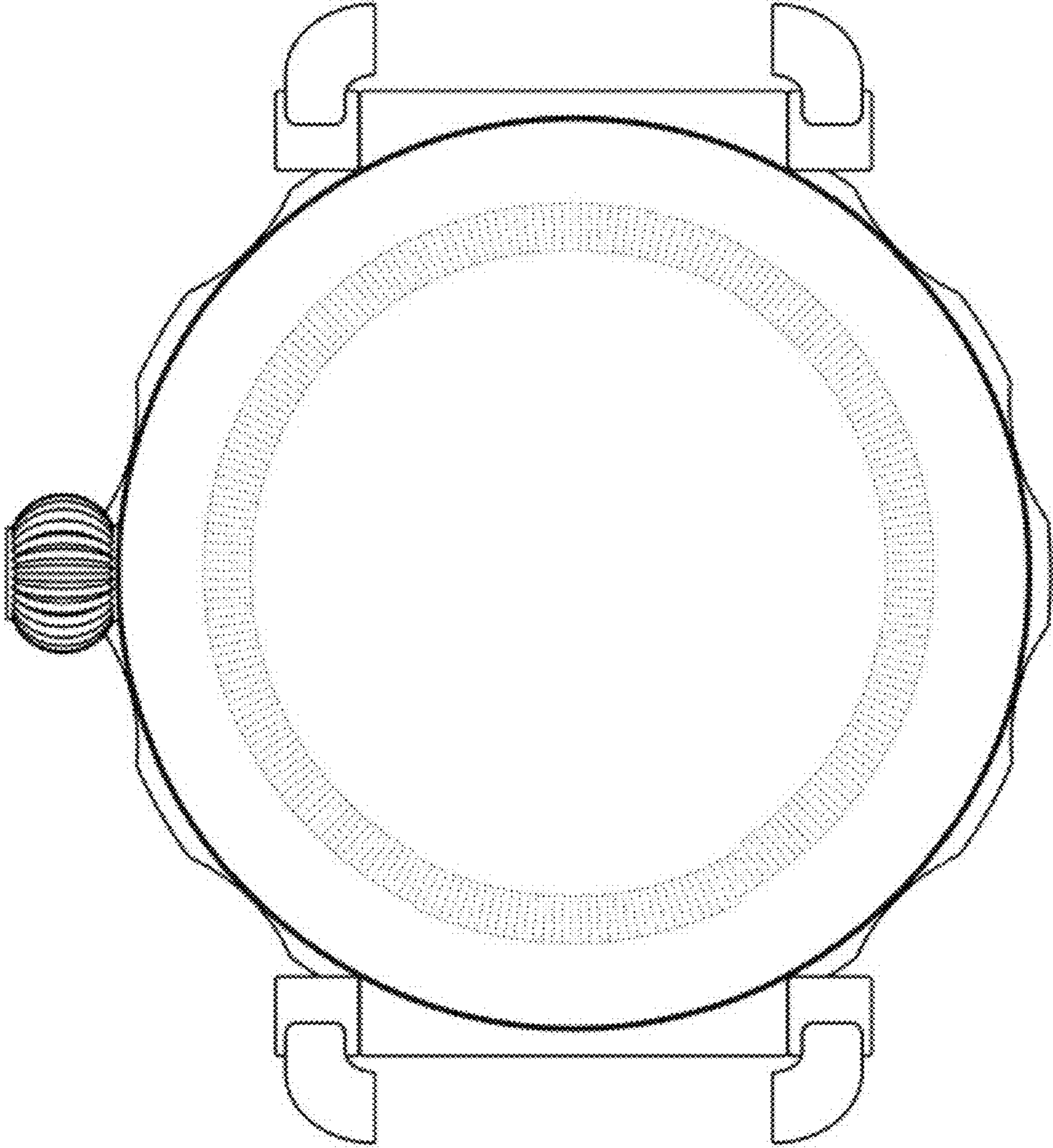


Fig. 4

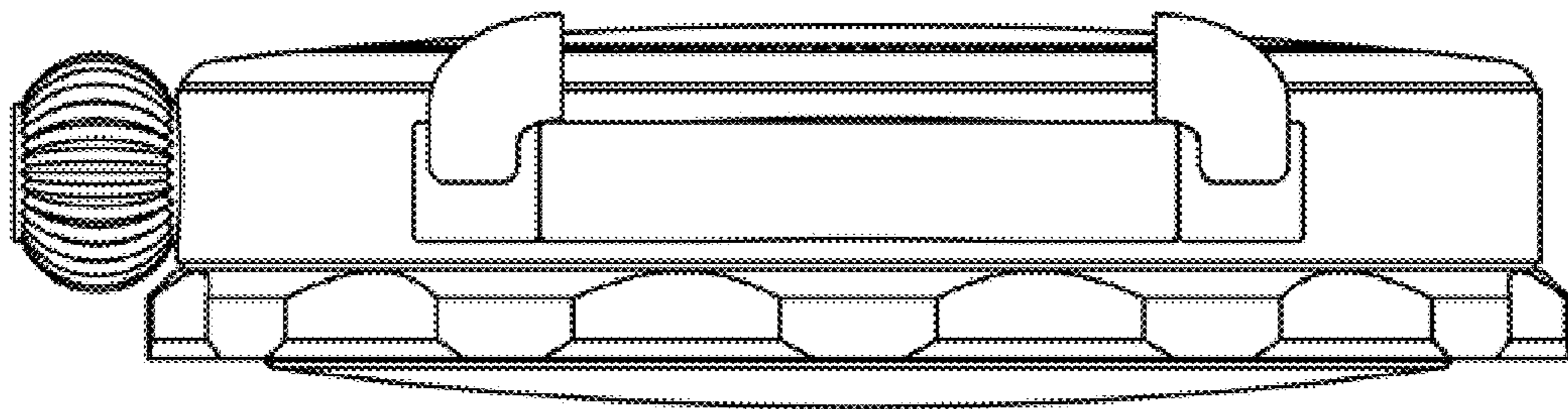


Fig. 5

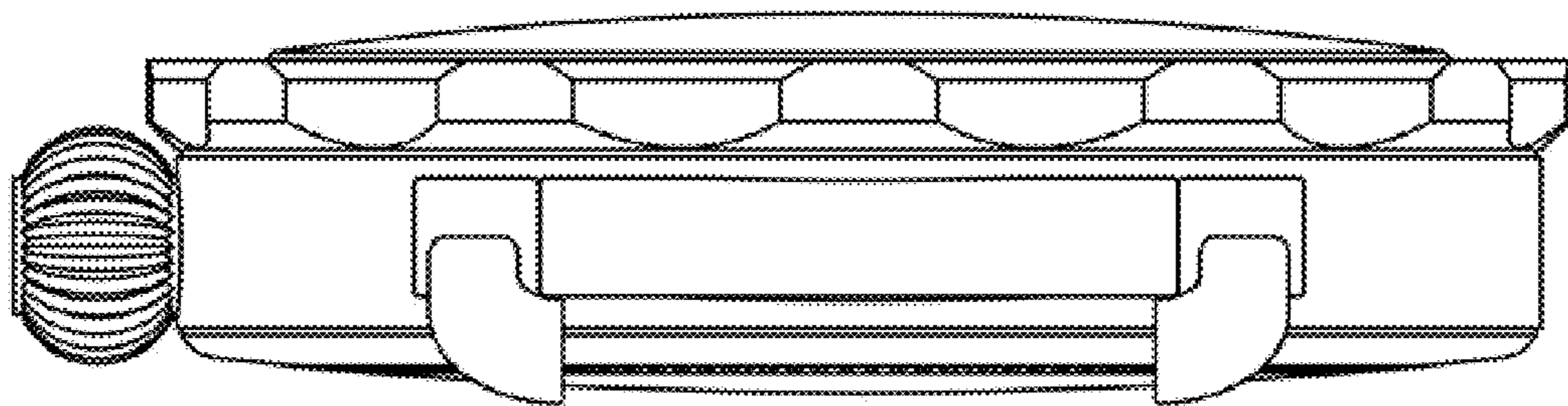


Fig. 6

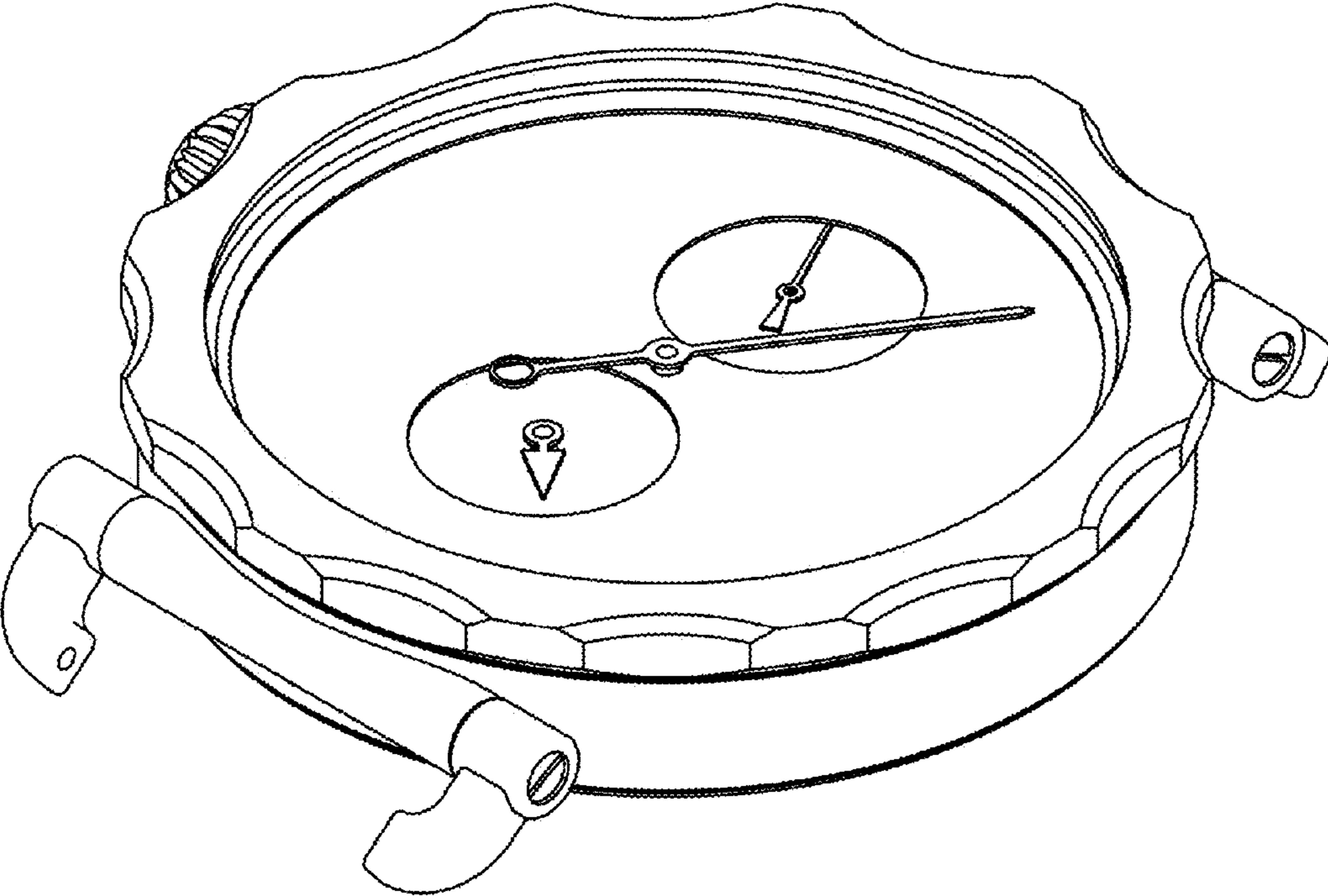


Fig. 7