



US00D730747S

(12) **United States Design Patent**  
**Waldrop**

(10) **Patent No.:** **US D730,747 S**

(45) **Date of Patent:** **\*\* \*Jun. 2, 2015**

(54) **COSMETIC PRODUCT DISPENSER**

(56) **References Cited**

(71) Applicant: **ENTELEKY INVENTIONS INC.**,  
Toronto (CA)

U.S. PATENT DOCUMENTS

(72) Inventor: **Deborah Waldrop**, Toronto (CA)

D344,017 S *	2/1994	Lang et al.	.....	D9/727
D367,225 S *	2/1996	Rothman	.....	D9/730
6,279,776 B1 *	8/2001	Finkeltaub et al.	.....	221/281
D455,868 S *	4/2002	Look	.....	D28/77
D456,953 S *	5/2002	Look	.....	D28/77
D466,252 S *	11/2002	Yu	.....	D28/88
D526,909 S *	8/2006	Ajootian	.....	D9/730
D685,528 S *	7/2013	Chang	.....	D28/89

(73) Assignee: **ENTELEKEY INVENTIONS INC.**,  
Toronto (CA)

(\* ) Notice: This patent is subject to a terminal disclaimer.

\* cited by examiner

(\*\*) Term: **14 Years**

*Primary Examiner* — Derrick Holland

*Assistant Examiner* — Lauren Calve

(21) Appl. No.: **29/473,218**

(22) Filed: **Nov. 20, 2013**

(57) **CLAIM**

The ornamental design for a cosmetic product dispenser, as shown and described.

(51) **LOC (10) Cl.** ..... **09-01**

(52) **U.S. Cl.**  
USPC ..... **D9/730**

**DESCRIPTION**

(58) **Field of Classification Search**

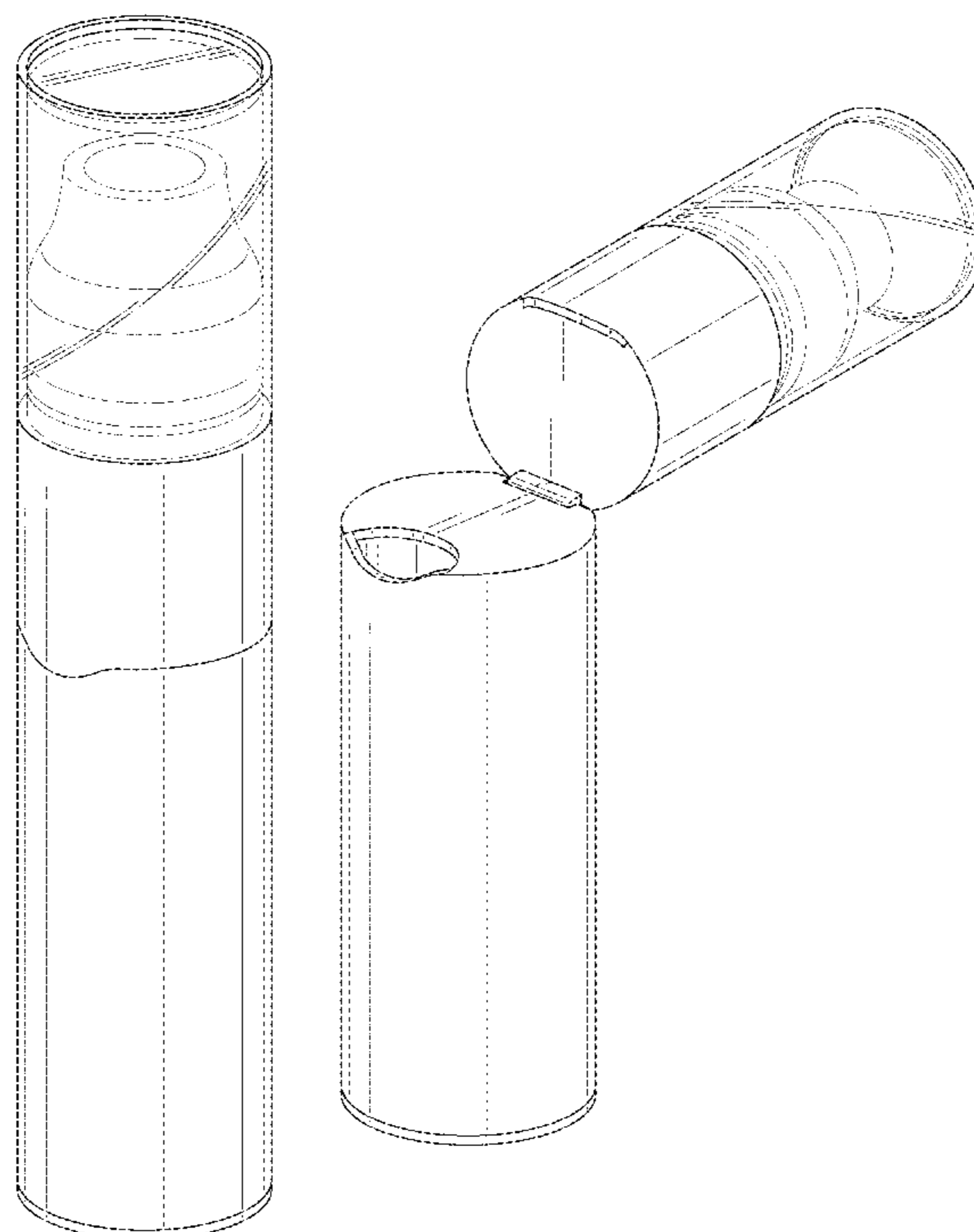
USPC ..... D9/414, 417, 418, 420, 428, 430, 434, D9/435, 440, 443, 454, 455, 730, 733, 731, D9/734, 736, 737; D7/300, 312, 321, 322, D7/601, 602; D3/201, 205, 206, 207; 206/38, 528, 535, 540, 823, 828; 221/92, 93, 96, 100, 102, 123, 208, 221/252, 306; 222/134, 135, 153.11, 481; D28/76, 77, 78, 82, 88

CPC ..... Y10S 206/823; Y10S 220/26; Y10S 242/908; Y10S 383/906; B65D 83/68; B65D 83/00; B65D 83/20; B65D 75/327; B65D 75/367; B65D 2543/00296; B65D 2543/00092; B65D 85/00; B65D 5/4204

FIG. 1 is a perspective view of a cosmetic product dispenser shown in a closed configuration.  
 FIG. 2 is a front view thereof.  
 FIG. 3 is a back view thereof.  
 FIG. 4 is a left side view thereof.  
 FIG. 5 is a right side view thereof.  
 FIG. 6 is a top view thereof.  
 FIG. 7 is a bottom view thereof; and,  
 FIG. 8 is a perspective view thereof shown in an open configuration.  
 The broken lines shown in FIG. 7 represent unclaimed subject matter and form no part of the claimed design.

See application file for complete search history.

**1 Claim, 5 Drawing Sheets**



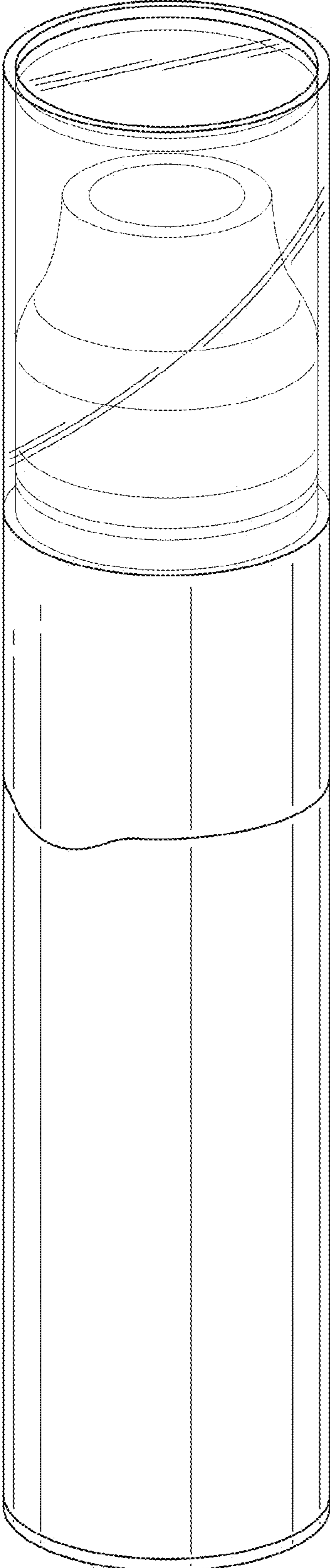


FIG. 1

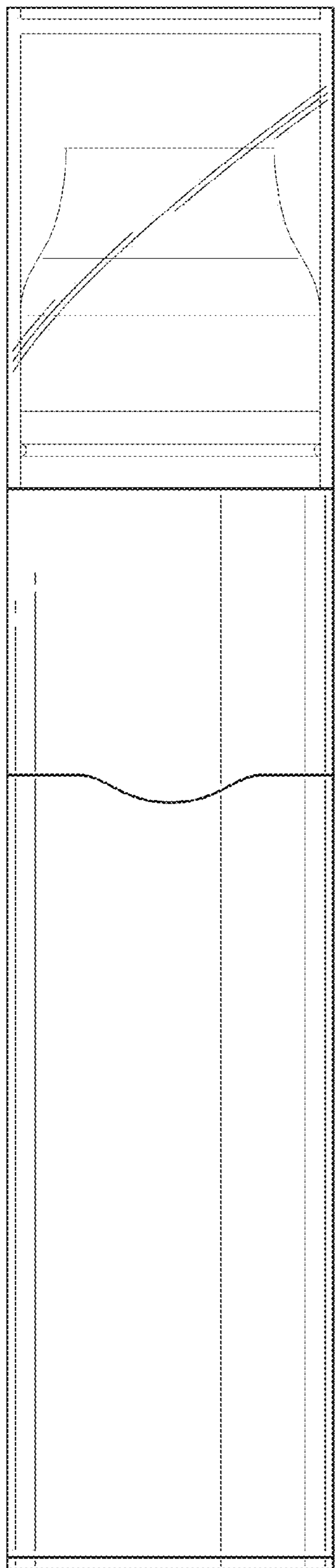


FIG. 2

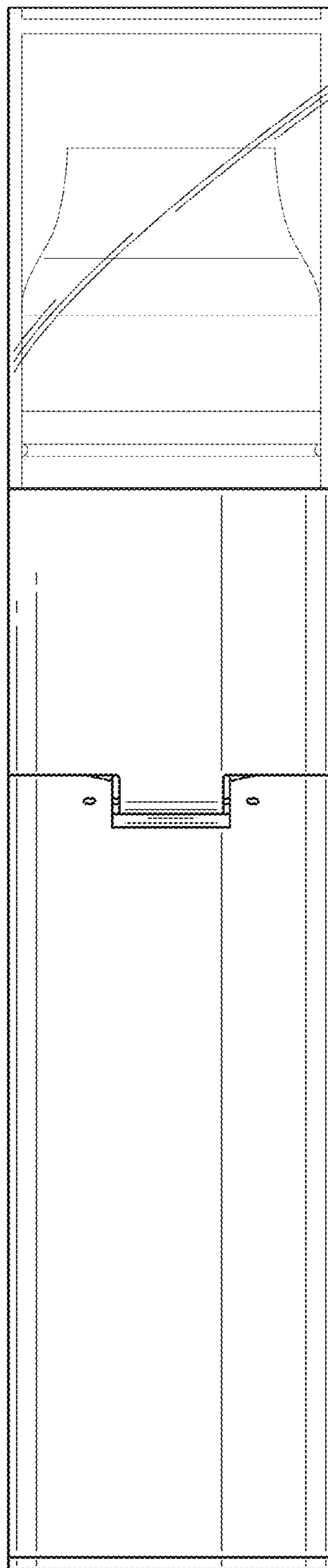


FIG. 3

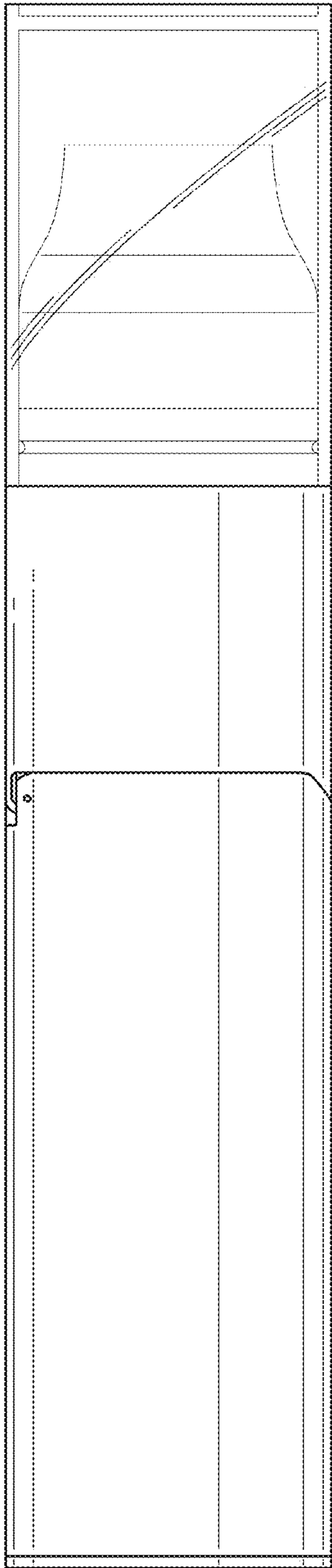


FIG. 4

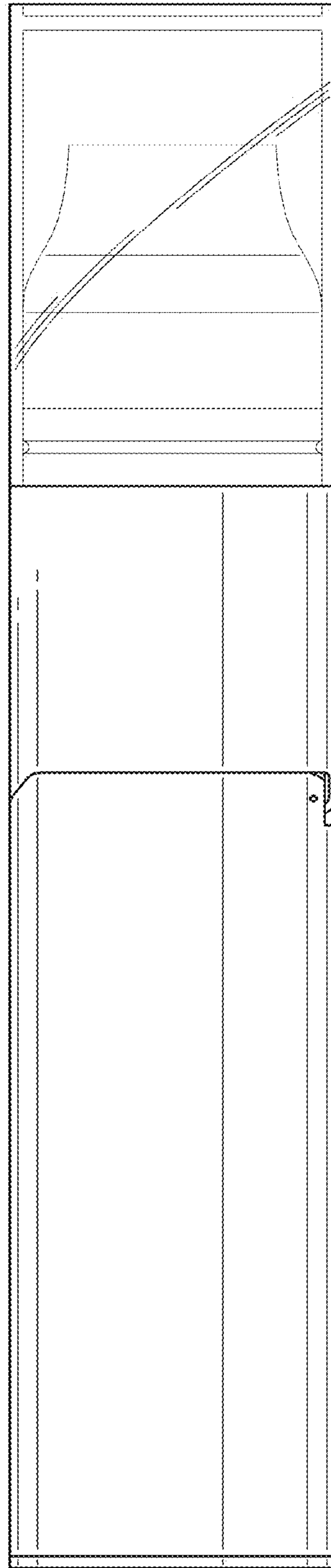


FIG. 5

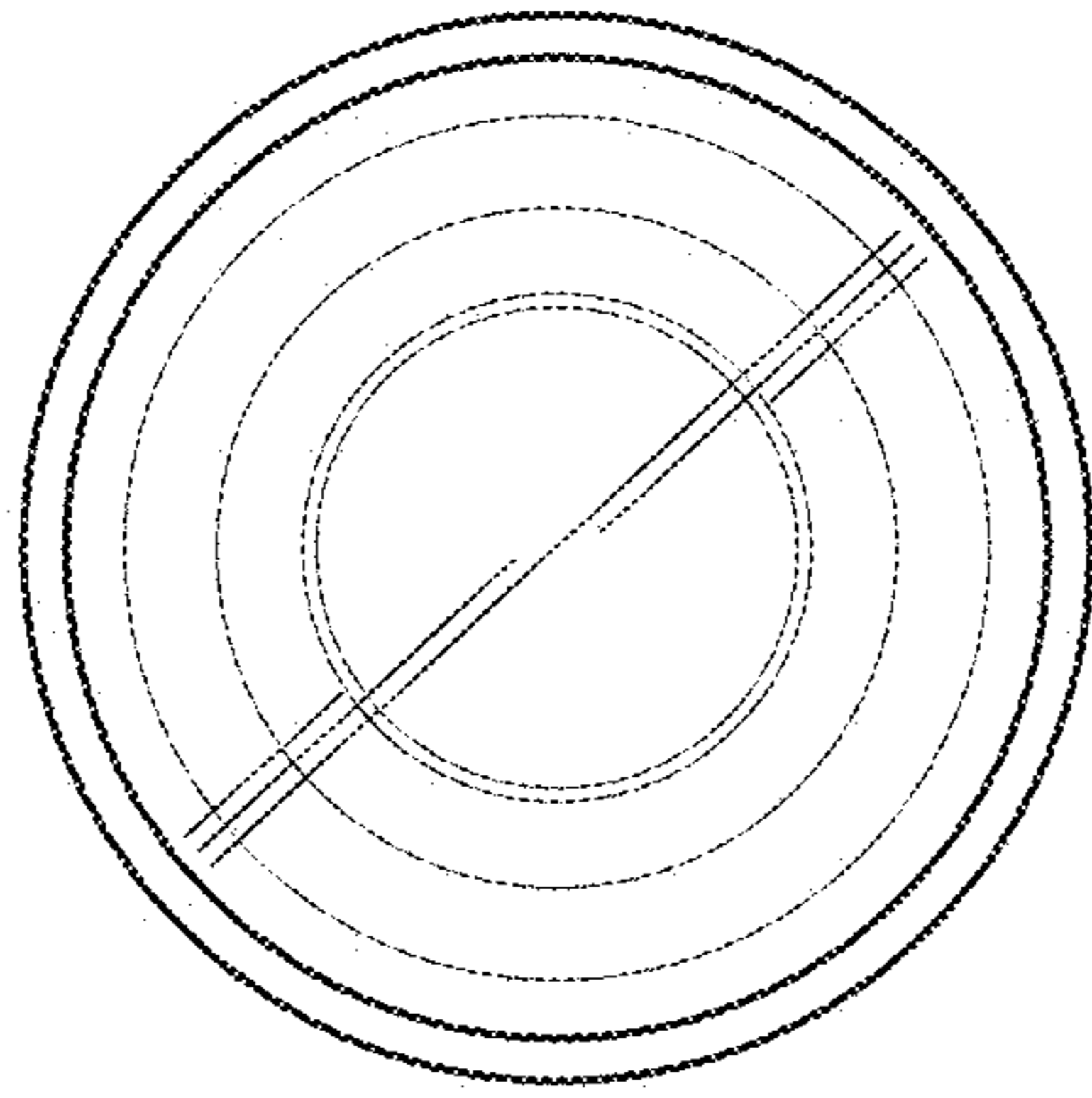


FIG. 6

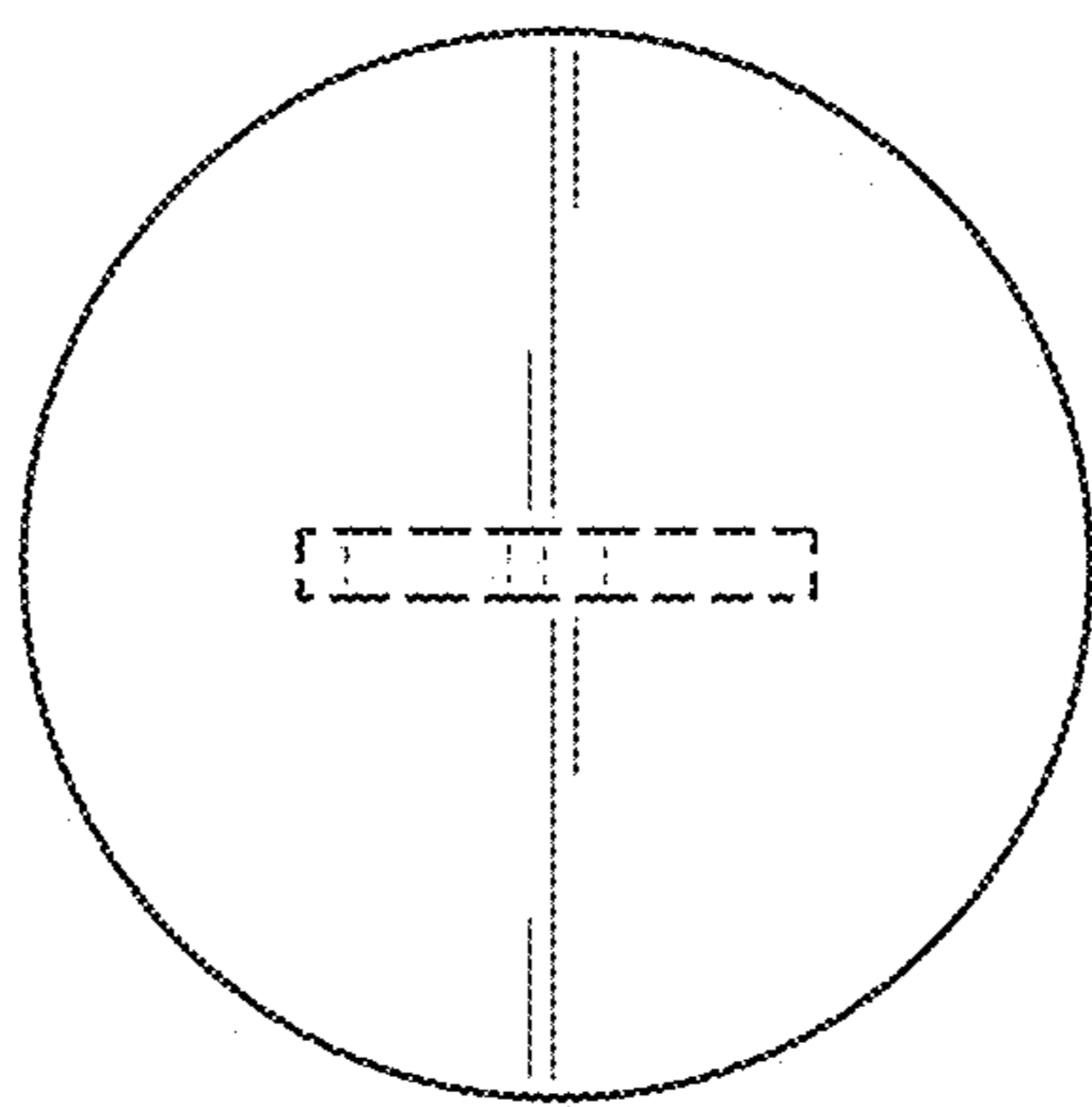


FIG. 7



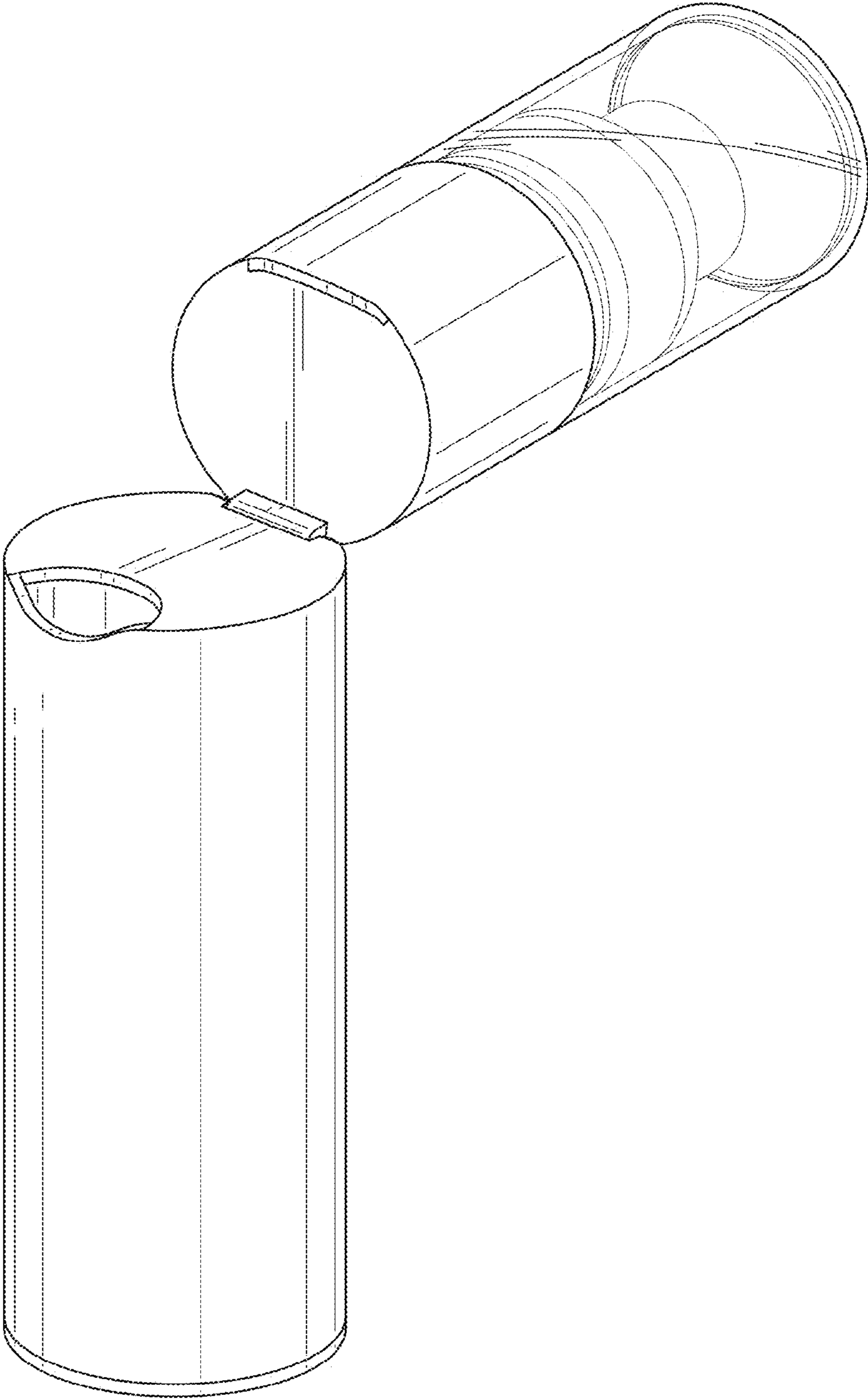


FIG. 8