



US00D730742S

(12) **United States Design Patent**
Glass et al.

(10) **Patent No.:** **US D730,742 S**
(45) **Date of Patent:** **** Jun. 2, 2015**

(54) **GIFT BOX**

(71) Applicant: **Gift Card Impressions, LLC**, Kansas City, MO (US)

(72) Inventors: **Brett R. Glass**, Kansas City, MO (US);
Nicole E. Glass, Kansas City, MO (US)

(**) Term: **14 Years**

(21) Appl. No.: **29/482,416**

(22) Filed: **Feb. 18, 2014**

(51) **LOC (10) Cl.** **09-01**

(52) **U.S. Cl.**
USPC **D9/635**; D9/418; D9/432

(58) **Field of Classification Search**
USPC D9/600, 635, 414-418, 430-434;
229/116.1, 116.2, 117.16, 117.24,
229/117.25, 162.1, 162.3; 206/223, 232,
206/457, 527
CPC B65D 67/00
See application file for complete search history.

(56) **References Cited**

U.S. PATENT DOCUMENTS

1,735,191	A *	11/1929	Weisenberg	229/116.1
1,945,792	A *	2/1934	Stephens	229/162.1
2,194,669	A *	3/1940	Mumford	D9/418
D133,433	S *	8/1942	Pridlington	D9/415
D159,195	S *	7/1950	Elisayeff et al.	D9/632
3,595,382	A *	7/1971	Hofer	229/162.1
D244,749	S *	6/1977	Hodges	D9/635
D272,103	S *	1/1984	Richards	D9/635

4,566,592	A *	1/1986	Klukos	206/232
D319,843	S *	9/1991	Thornell	D9/415
5,456,352	A *	10/1995	McQueeney	206/223
5,497,876	A *	3/1996	Fleming	206/232
D374,398	S *	10/1996	Larson	D9/635
D380,417	S *	7/1997	Hardy	D9/432
D399,520	S *	10/1998	Miller et al.	D9/432
D460,689	S *	7/2002	Robinson	D9/416
D549,590	S *	8/2007	Mauerhan et al.	D9/635
D568,733	S *	5/2008	DuBois et al.	D9/418
7,503,456	B2 *	3/2009	Rodriguez	206/457
D614,026	S *	4/2010	Lince et al.	D9/434

* cited by examiner

Primary Examiner — Sandra Morris

(74) *Attorney, Agent, or Firm* — Polsinelli PC

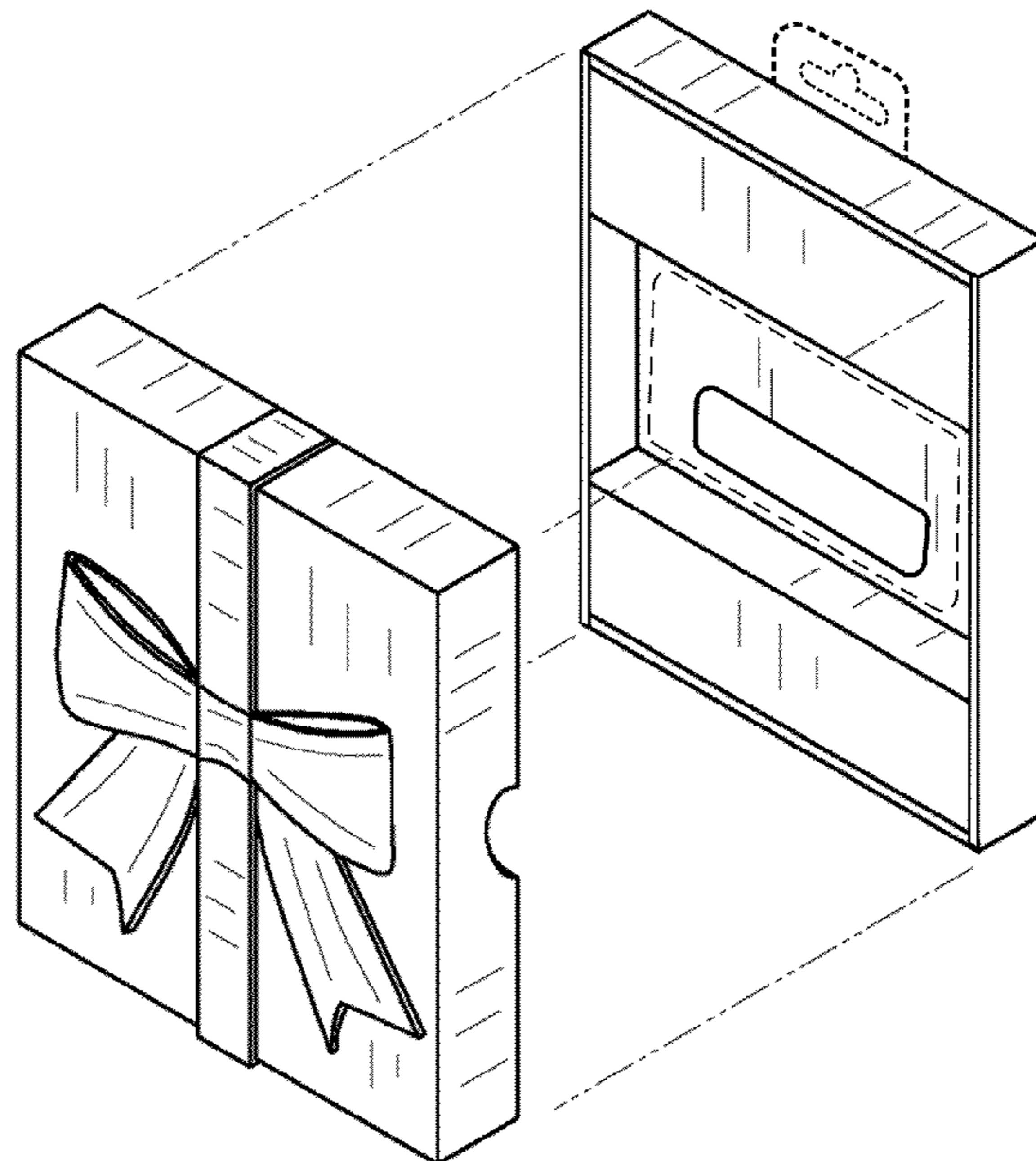
(57) **CLAIM**

The ornamental design for a gift box, as shown and described.

DESCRIPTION

FIG. 1 is a perspective view of a gift box according to an embodiment of the invention;
FIG. 2 is a perspective elevation view of the gift box of FIG. 1, shown with a lid portion removed;
FIG. 3 is a front elevation view of the gift box of FIG. 1;
FIG. 4 is a rear elevation view of the gift box of FIG. 1;
FIG. 5 is a right elevation view of the gift box of FIG. 1;
FIG. 6 is a left elevation view of the gift box of FIG. 1;
FIG. 7 is a top plan view of the gift box of FIG. 1; and,
FIG. 8 is a bottom plan view of the gift box of FIG. 1.
The broken dashed lines showing in FIGS. 1-8 are included for the purpose of illustrating portions of the gift box that form no part of the claimed design.

1 Claim, 2 Drawing Sheets



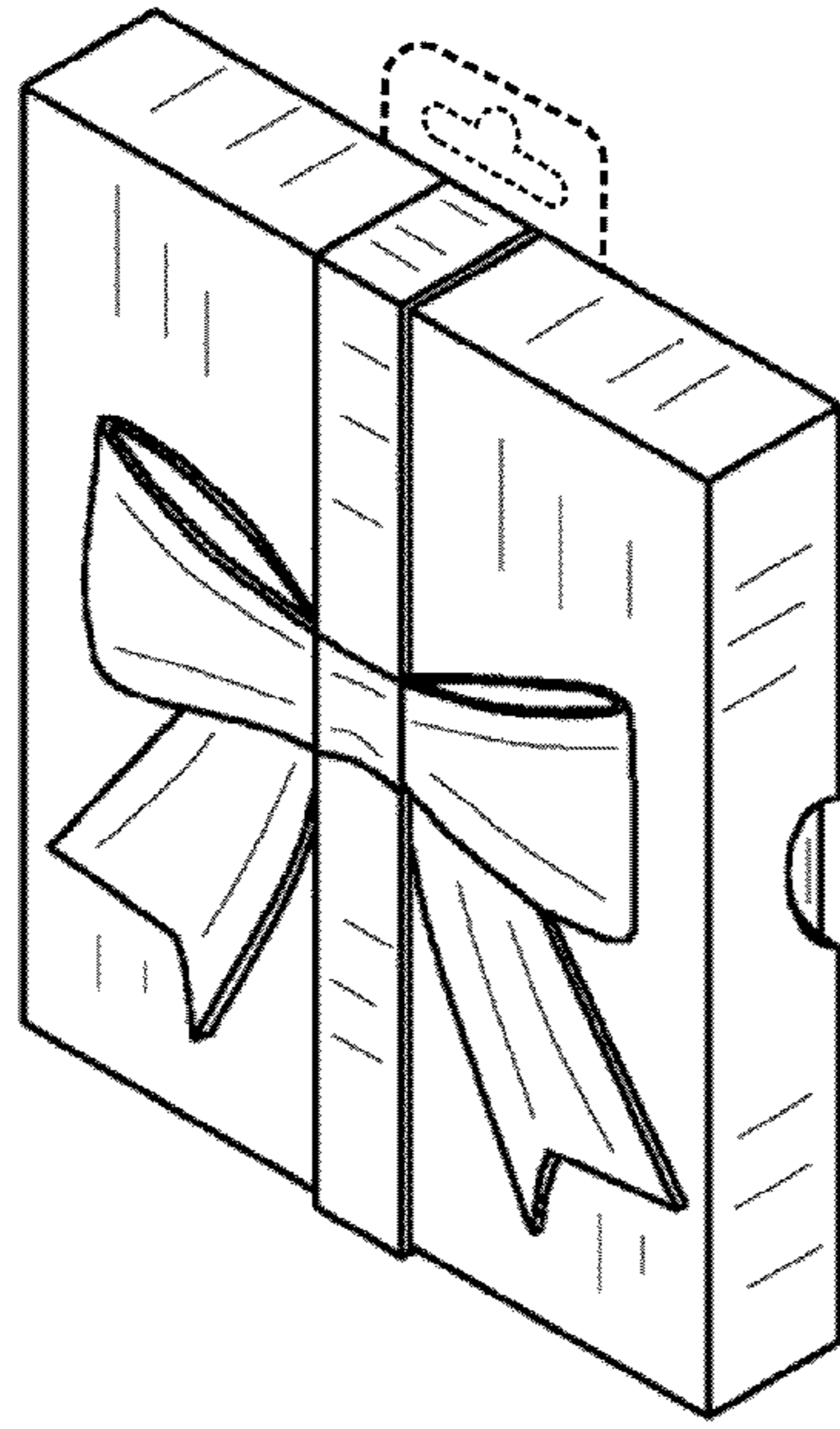


FIG. 1

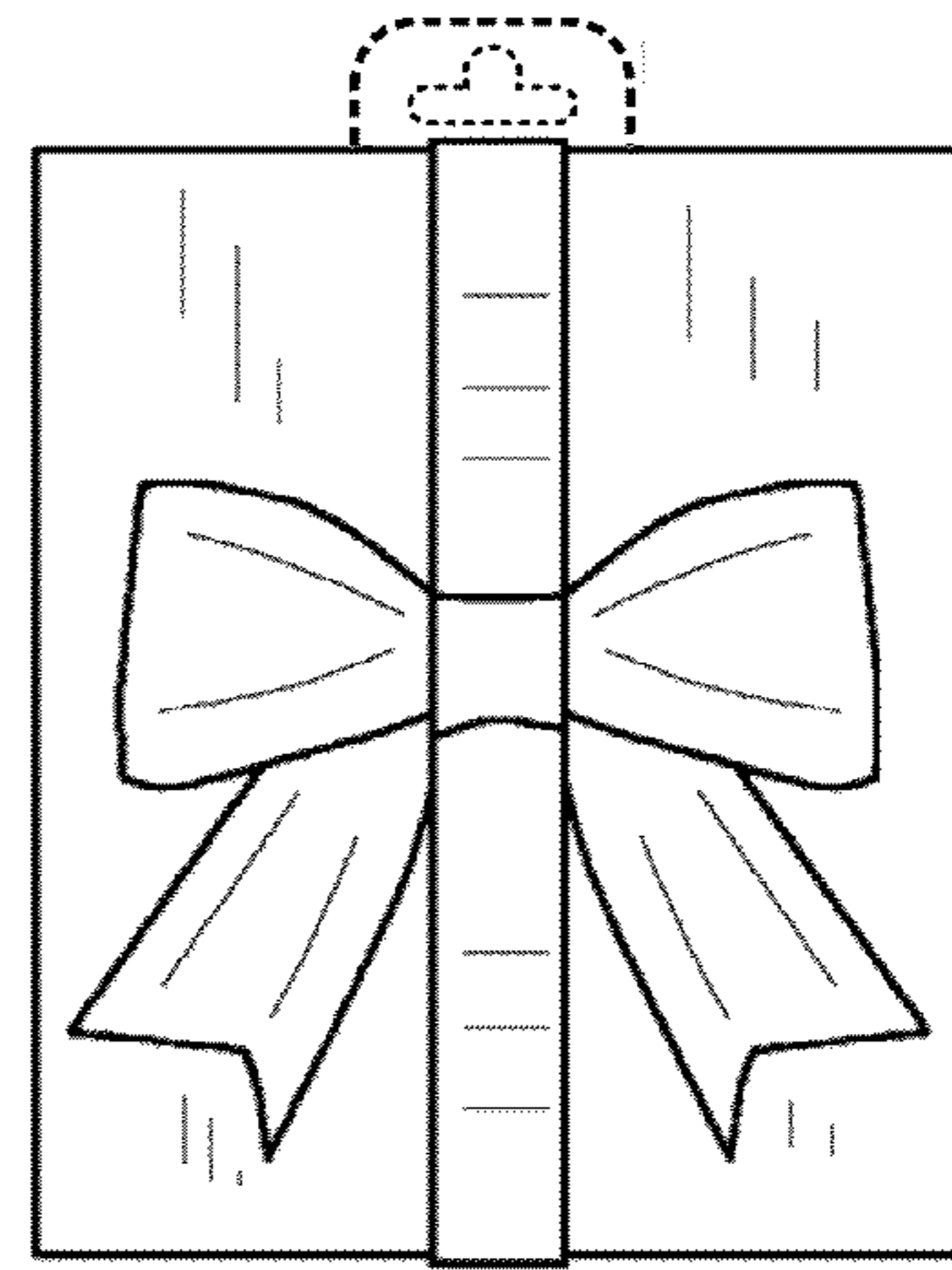


FIG. 3

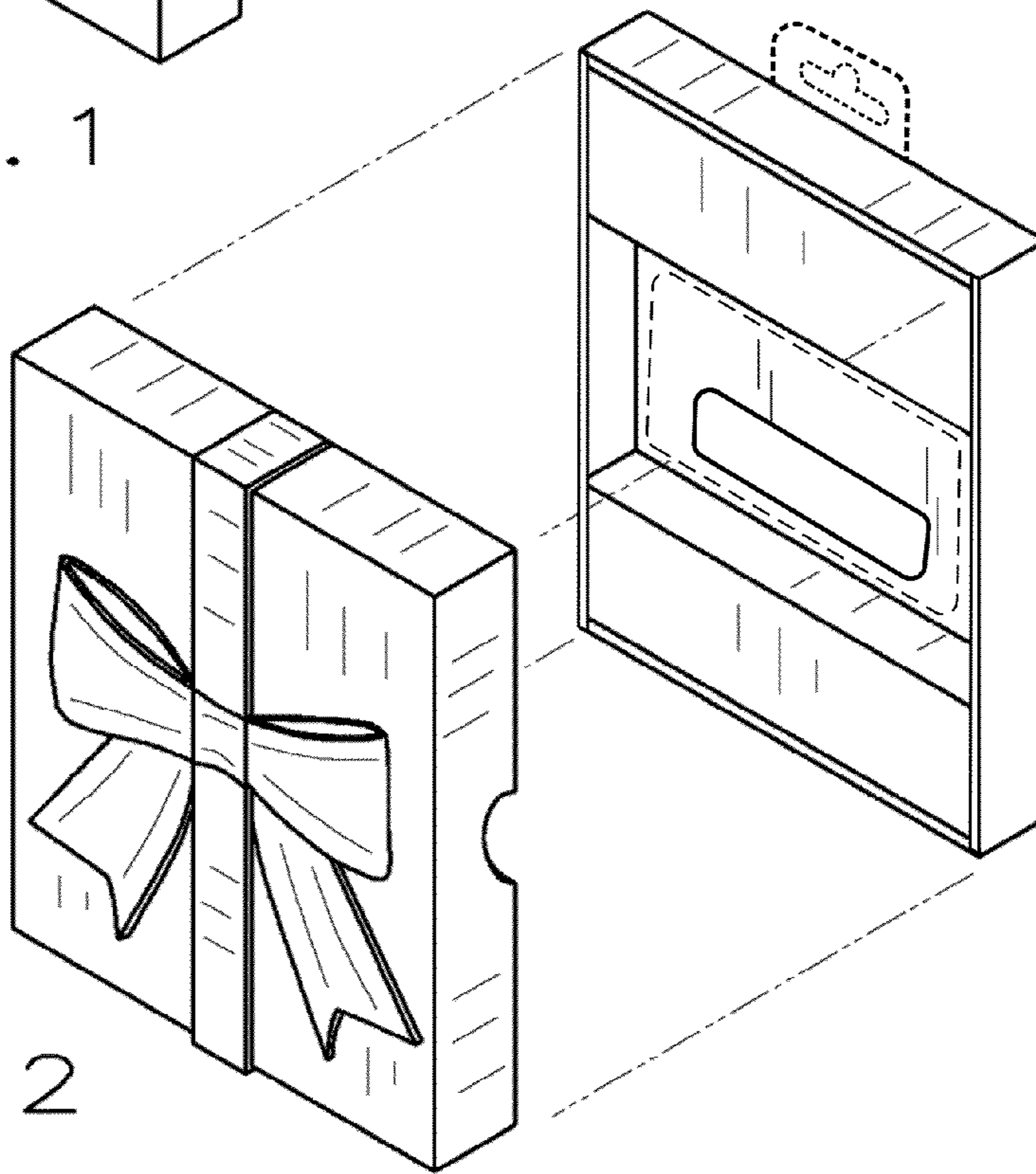


FIG. 2

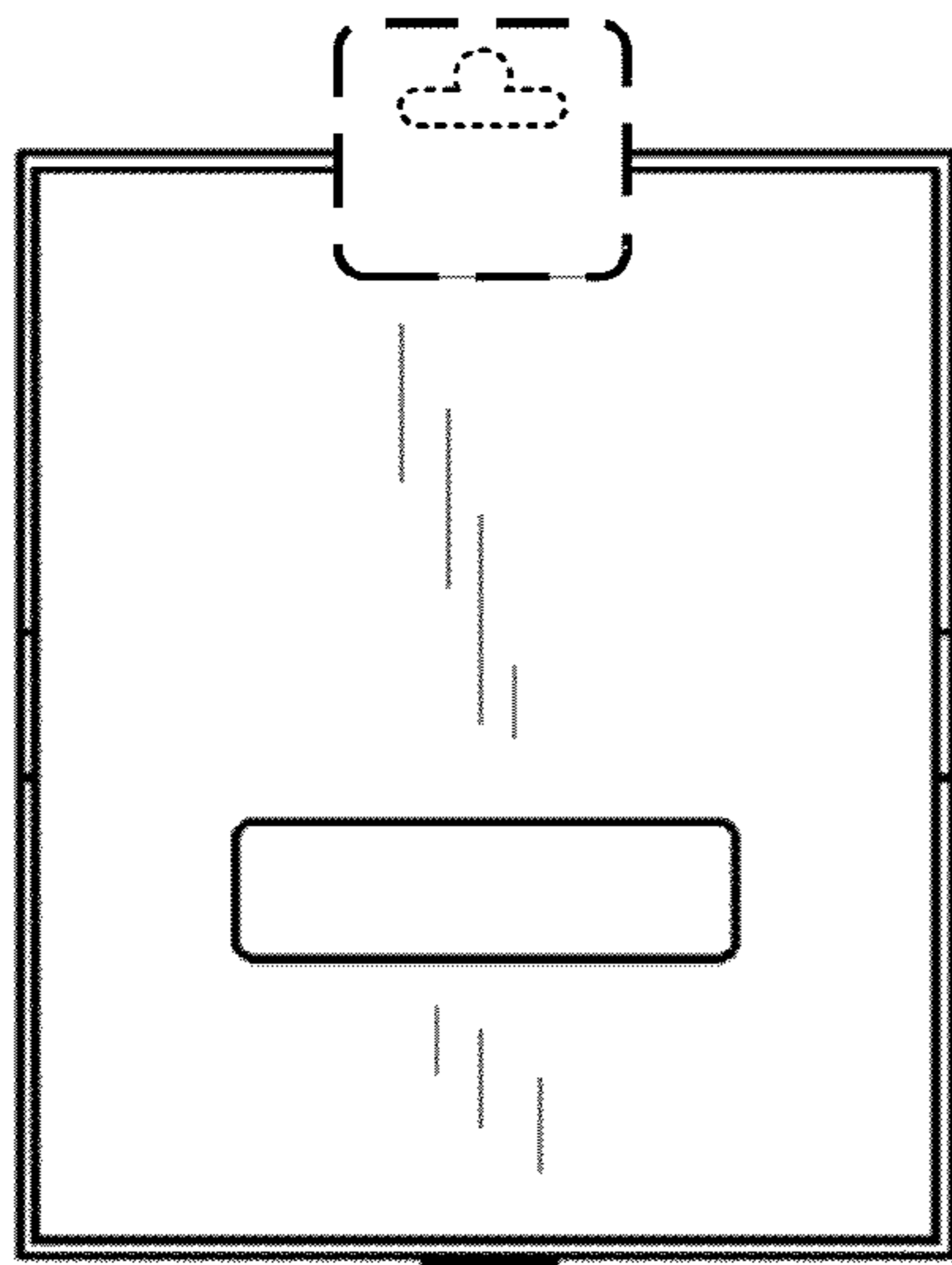


FIG. 4

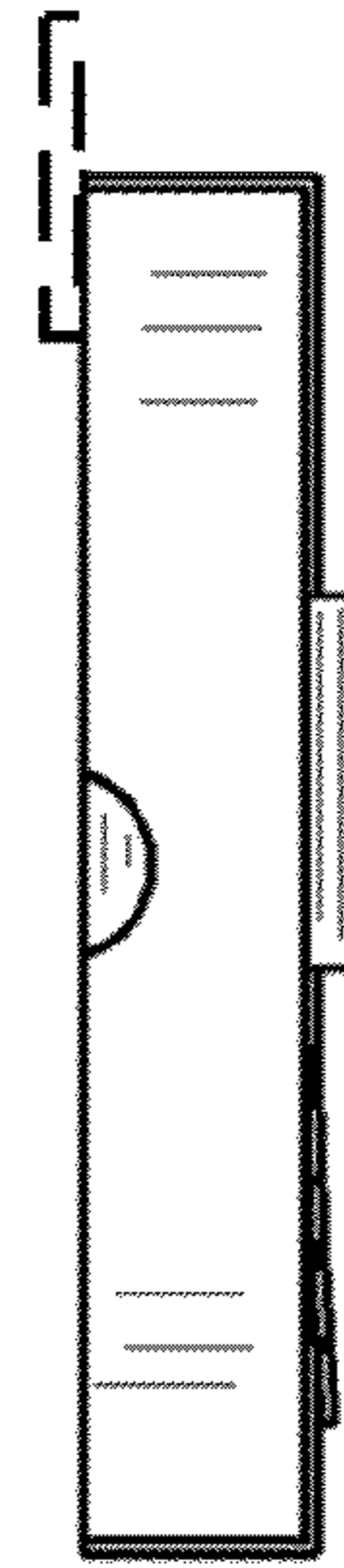


FIG. 5

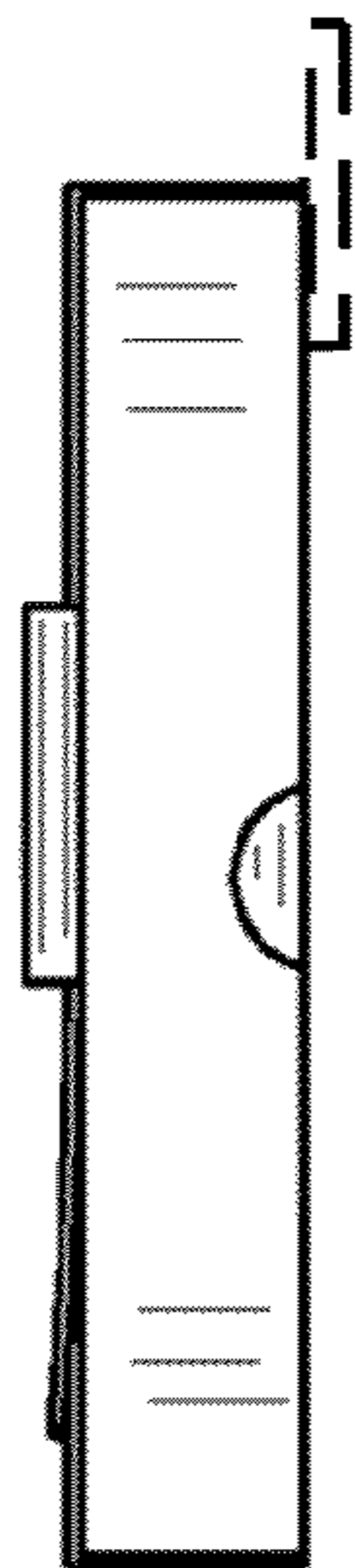


FIG. 6

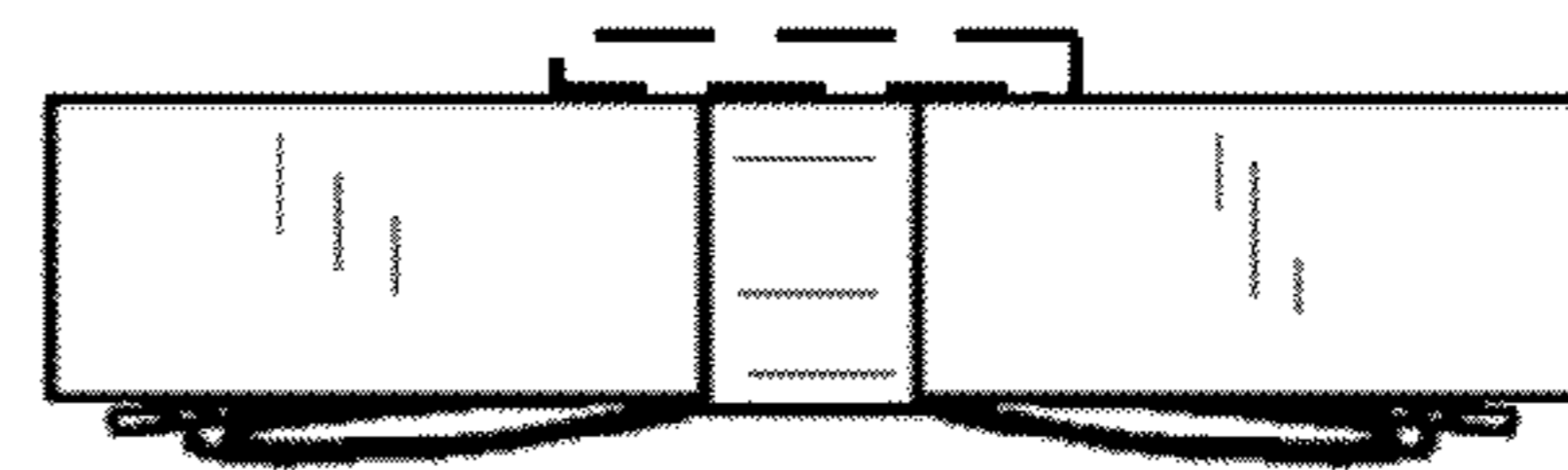


FIG. 7

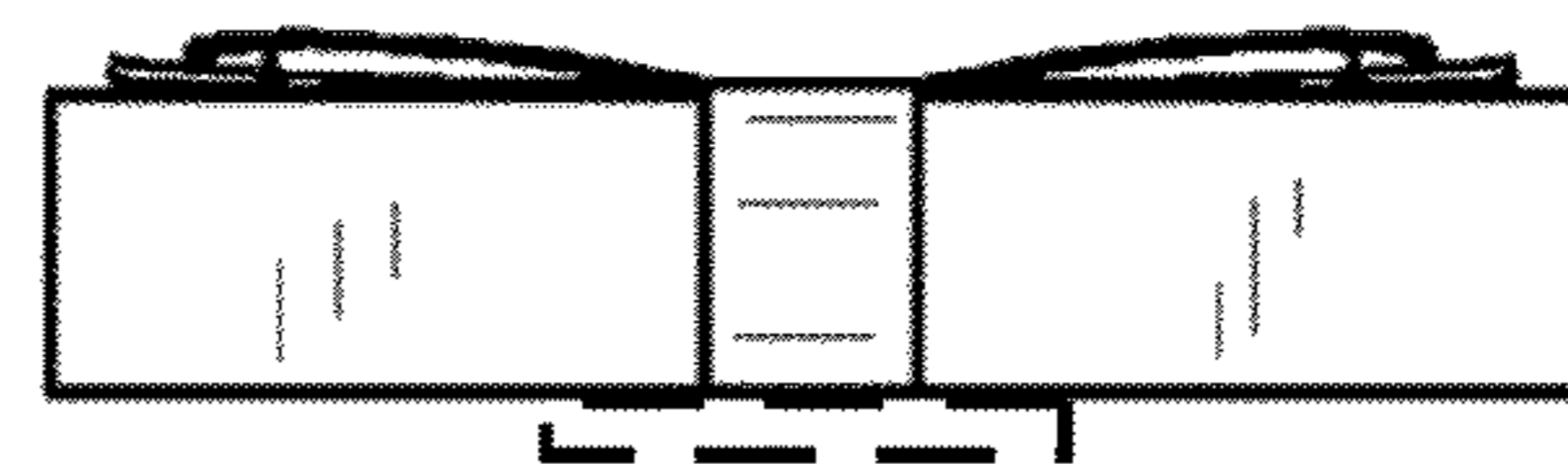


FIG. 8