



US00D730738S

(12) **United States Design Patent**
O'Donahue

(10) **Patent No.:** **US D730,738 S**
(45) **Date of Patent:** **** Jun. 2, 2015**

(54) **BOTTLE**

(71) Applicant: **Bath & Body Works Brand Management, Inc.**, Reynoldsburg, OH (US)

(72) Inventor: **Samuel Dominic O'Donahue**, New York, NY (US)

(73) Assignee: **Bath & Body Works Brand Management, Inc.**, Reynoldsburg, OH (US)

(**) Term: **14 Years**

(21) Appl. No.: **29/510,658**

(22) Filed: **Dec. 2, 2014**

Related U.S. Application Data

(62) Division of application No. 29/465,559, filed on Aug. 29, 2013.

(51) **LOC (10) Cl.** **09-01**

(52) **U.S. Cl.**
USPC **D9/571; D9/573**

(58) **Field of Classification Search**

USPC D9/682-694, 763, 782, 516, 520, 529, D9/544, 571-575, 448; 215/379, 382-384; 220/669-675; 222/153.1-153.14, 631, 222/635, 209, 210, 211, 321.1-321.5, 222/321.6-322, 323-327, 330, 331, 222/372-379, 383.3, 383.1, 386, 389, 398, 222/400.5-401, 402-402.25

CPC B65D 2501/0081; B65D 1/0223; B65D 83/0033; B65D 83/32; B65D 83/38; A47K 5/12; A47K 5/1202; A47K 5/1204; A47K 5/1205; A47K 5/1208; A47K 5/1211; A47K 5/14; B05B 11/0037; B05B 11/3011; B05B 11/3047

See application file for complete search history.

(56) **References Cited**

U.S. PATENT DOCUMENTS

D27,261 S 6/1897 Beach
D53,445 S 6/1919 Humphery
D87,401 S 7/1932 Nitardy
D92,148 S 5/1934 McGiveran
D234,077 S 1/1975 Peterson
D261,107 S 10/1981 Harris

(Continued)

FOREIGN PATENT DOCUMENTS

EM 001709494-0001 7/2010
EM 001945510-0001 3/2013

OTHER PUBLICATIONS

Deep Cleansing Hand Soap, by Bath & Body Works, <http://www.bathandbodyworks.com/product/index.jsp?productId=17818566&cp=12587004.12936131.4191861>, web site visited on May 16, 2013.

(Continued)

Primary Examiner — Catherine Tuttle

(74) *Attorney, Agent, or Firm* — Andrus Intellectual Property Law, LLP

(57) **CLAIM**

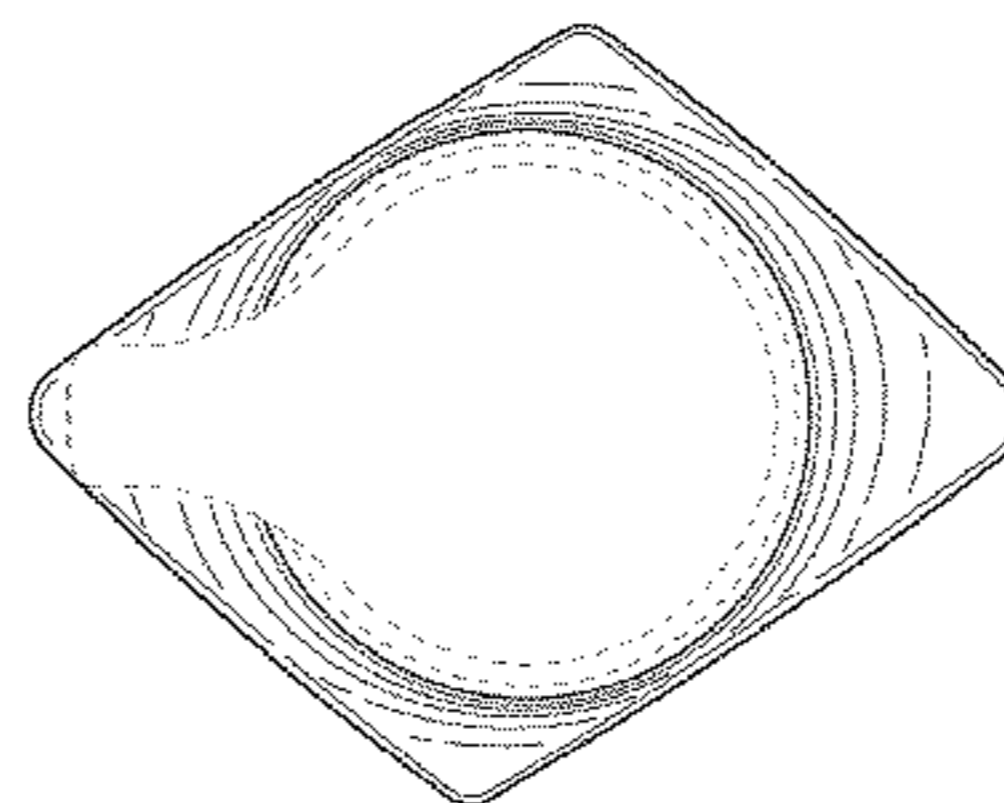
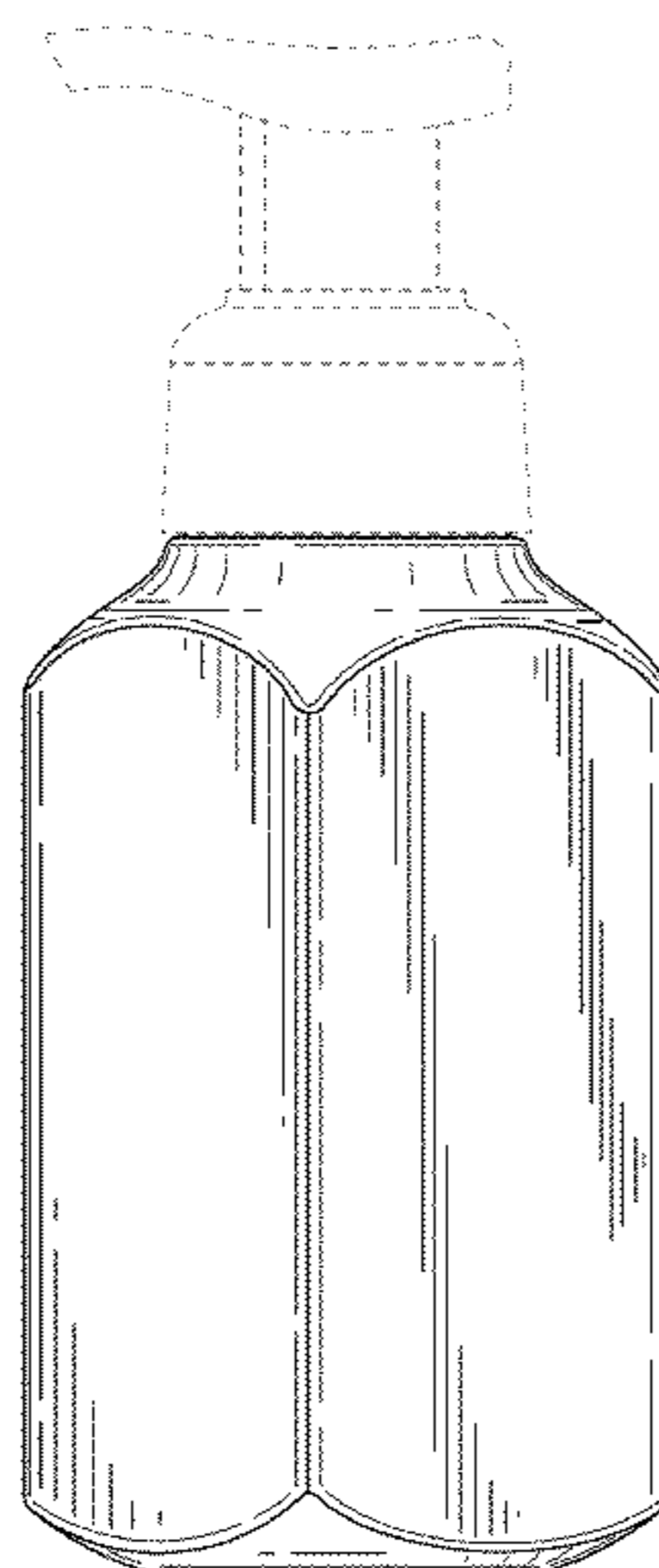
The ornamental design for a bottle, as shown and described.

DESCRIPTION

FIG. 1 is a front isometric view of a bottle;
FIG. 2 is a back view thereof;
FIG. 3 is a front view thereof;
FIG. 4 is a left side view thereof;
FIG. 5 is a right side view thereof;
FIG. 6 is top view thereof; and,
FIG. 7 is a bottom view thereof.

The broken lines in FIGS. 1-6 are included for the purpose of illustrating associated pump closure elements that form no part of the claimed design.

1 Claim, 5 Drawing Sheets



(56)

References Cited

U.S. PATENT DOCUMENTS

D261,108 S 10/1981 Harris
 D273,564 S 4/1984 Spielhoff
 D322,399 S 12/1991 Cromer
 D324,820 S 3/1992 Hayman et al.
 D352,657 S 11/1994 Gonda et al.
 D362,391 S 9/1995 Gobe
 D372,859 S 8/1996 Lathrop et al.
 D389,059 S 1/1998 Mascitelli
 D392,887 S 3/1998 Waldsworth
 D394,210 S 5/1998 Fiore
 D398,529 S 9/1998 Mascitelli
 D418,418 S 1/2000 Wadsworth
 D419,864 S 2/2000 Kuzma et al.
 D423,370 S 4/2000 Lewin
 D433,932 S 11/2000 Kuzma et al.
 D476,902 S 7/2003 Snyder
 D549,109 S 8/2007 Jones
 D558,050 S 12/2007 Urcun
 D563,233 S 3/2008 Patzak

D578,395 S 10/2008 Kuzma et al.
 D594,345 S 6/2009 Short et al.
 D598,750 S 8/2009 Boes et al.
 D607,744 S 1/2010 Laird et al.
 D608,213 S 1/2010 Kuzma et al.
 D615,411 S 5/2010 Kuzma et al.
 D617,646 S 6/2010 Kuzma et al.
 D623,532 S 9/2010 Kuzma et al.
 D702,130 S 4/2014 Handy
 2003/0129142 A1 7/2003 Schroeder et al.
 2013/0048755 A1 2/2013 Uehira et al.
 2013/0254136 A1 9/2013 Ciaverella et al.

OTHER PUBLICATIONS

Gentle Foaming Hand Soap, by Bath & Body Works, <http://www.bathandbodyworks.com/product/index.jsp?productId=17818476&cp=12587004.12936131.4191863>, web site visited on May 16, 2013.
 Moisturizing Hand Soap, by Bath & Body Works, <http://www.bathandbodyworks.com/product/index.jsp?productId=11085406&cp=12587004.12936131.4191868>, web site visited on May 16, 2013.

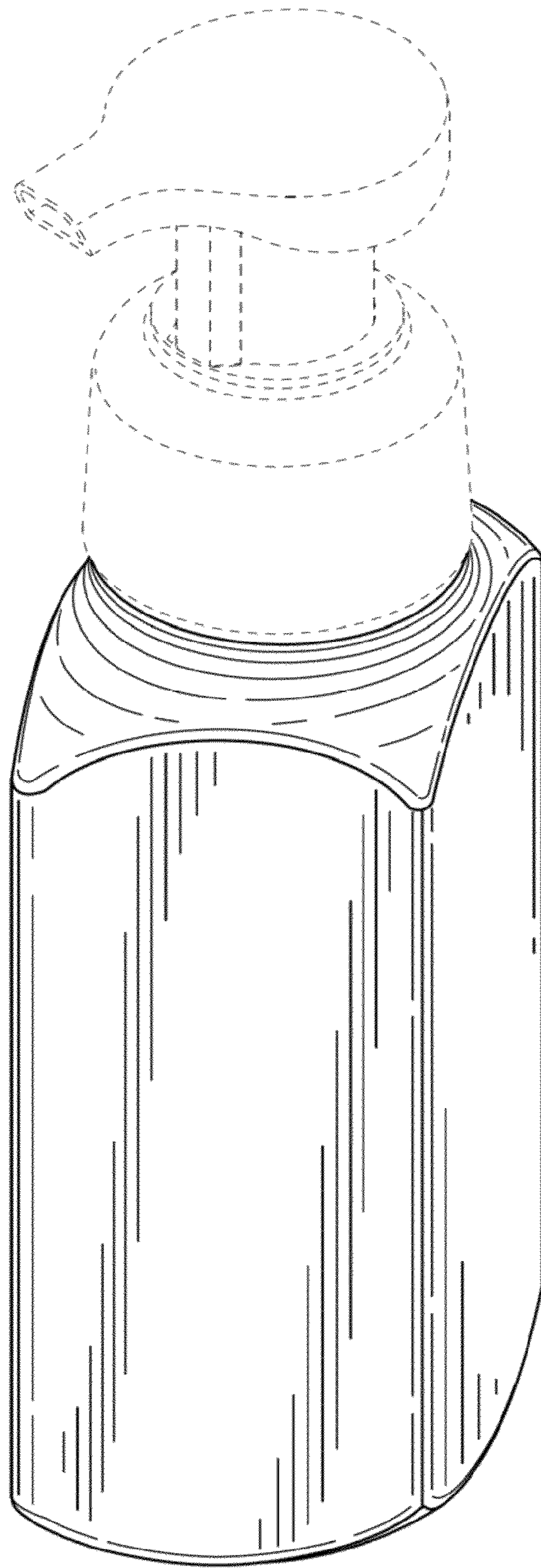


FIG. 1

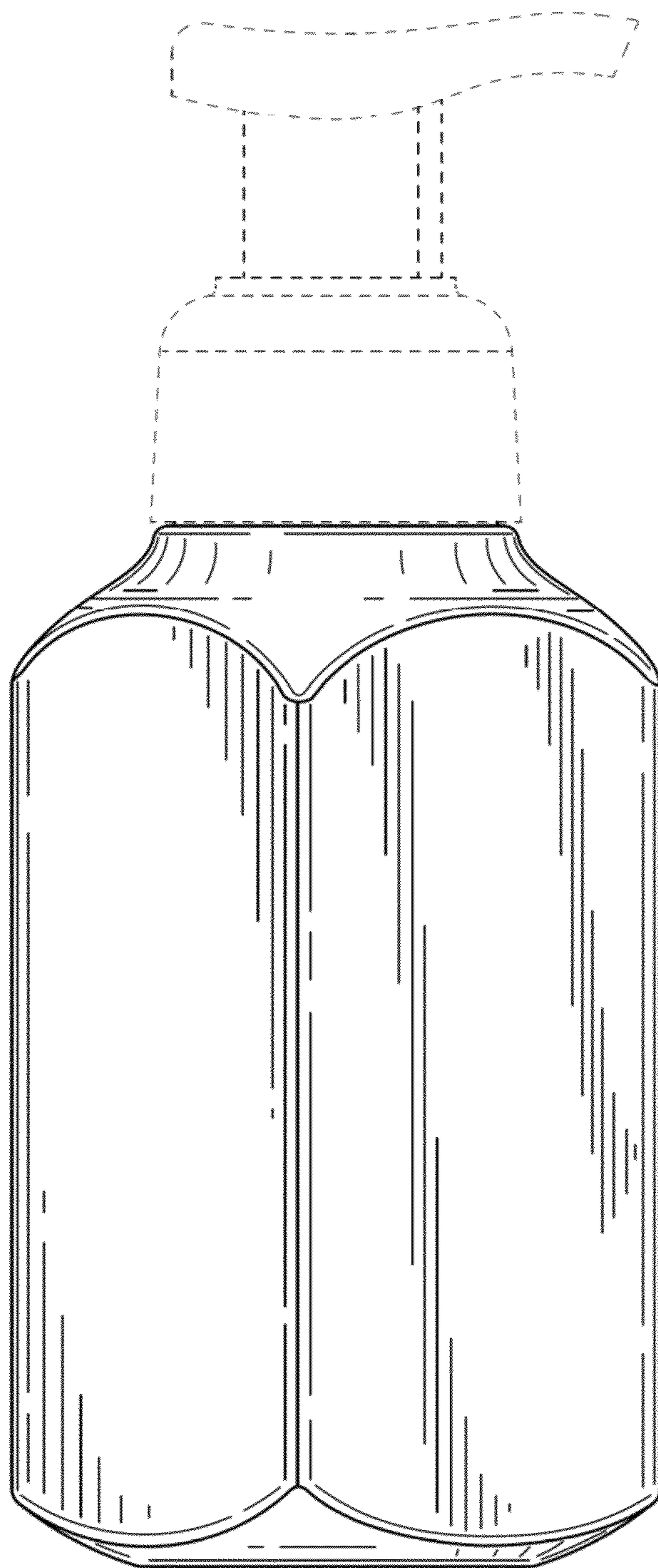


FIG. 2

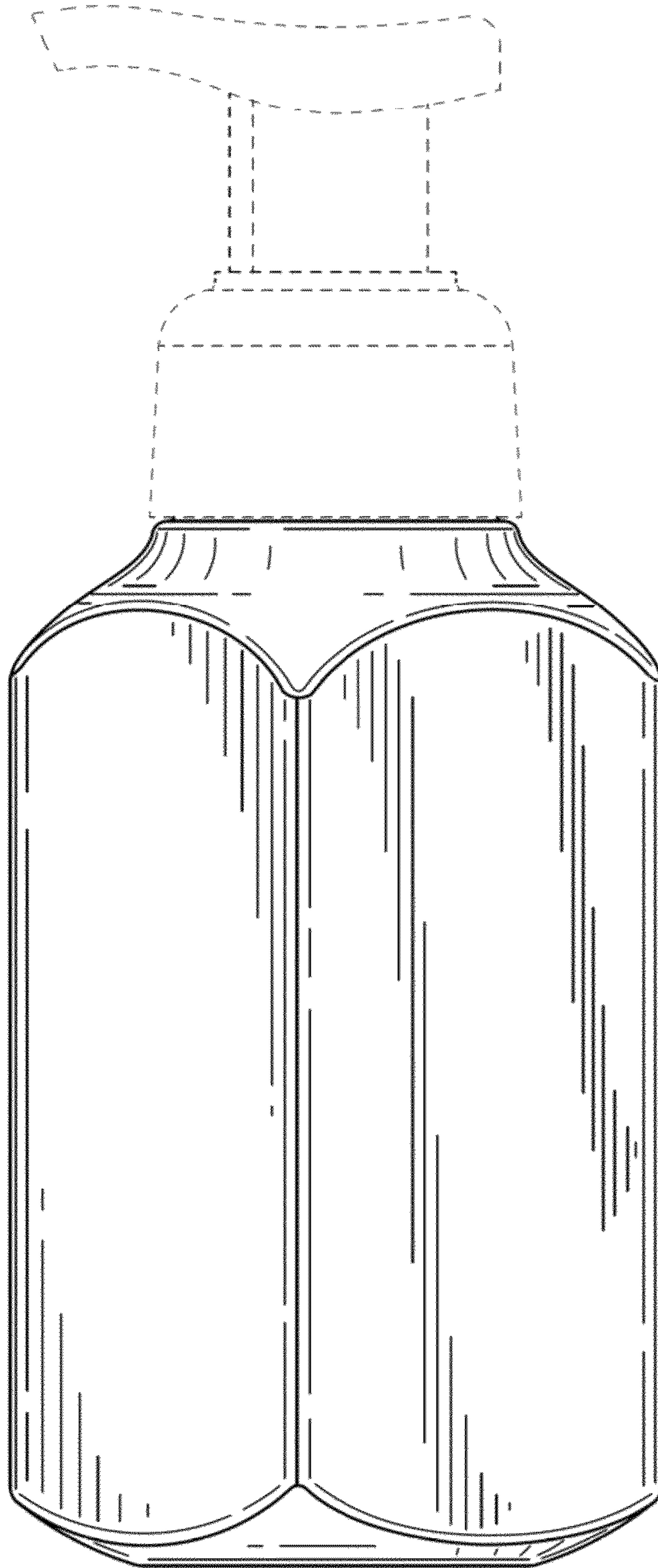


FIG. 3

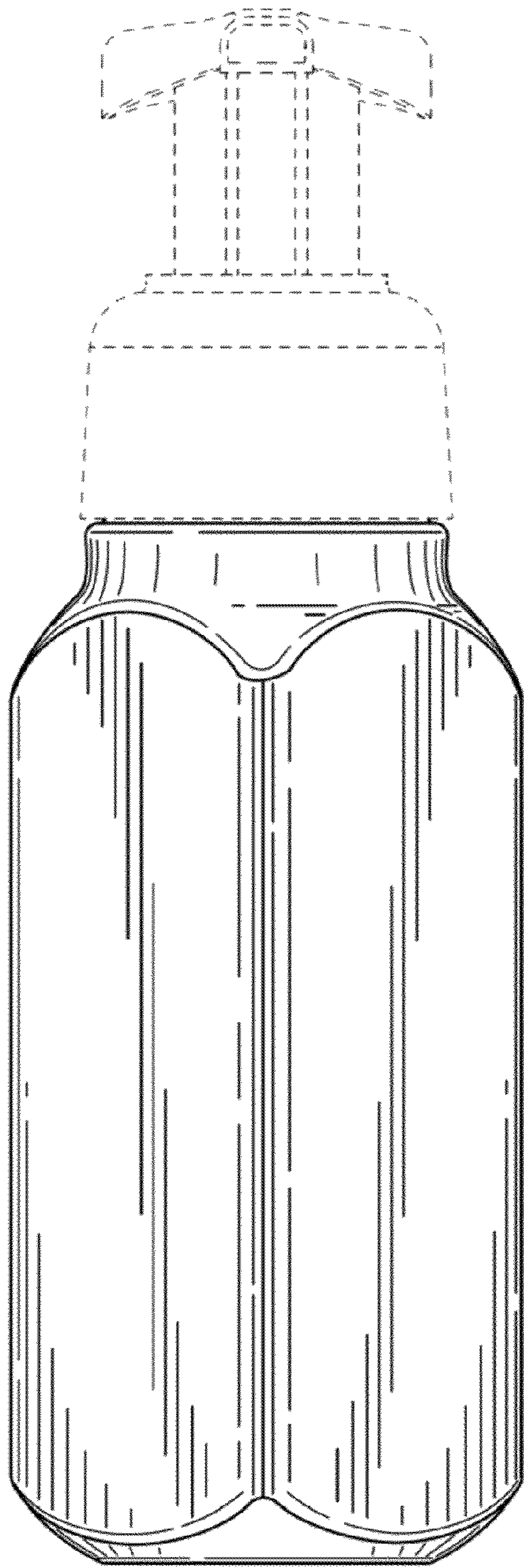


FIG. 4

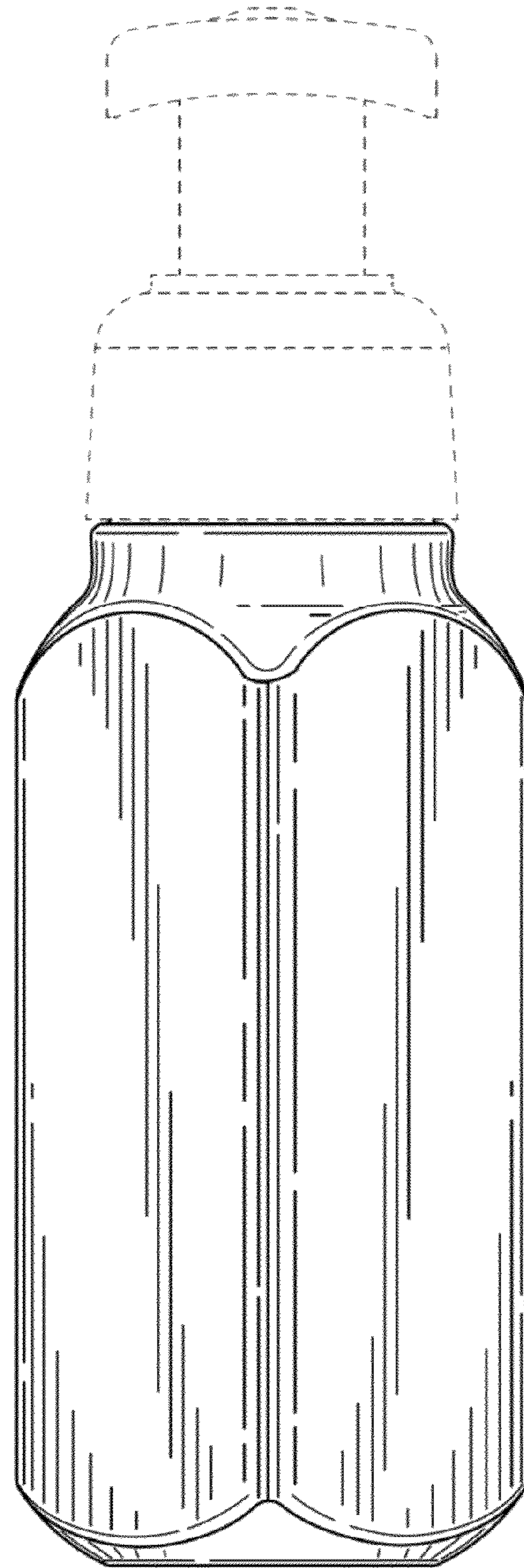


FIG. 5

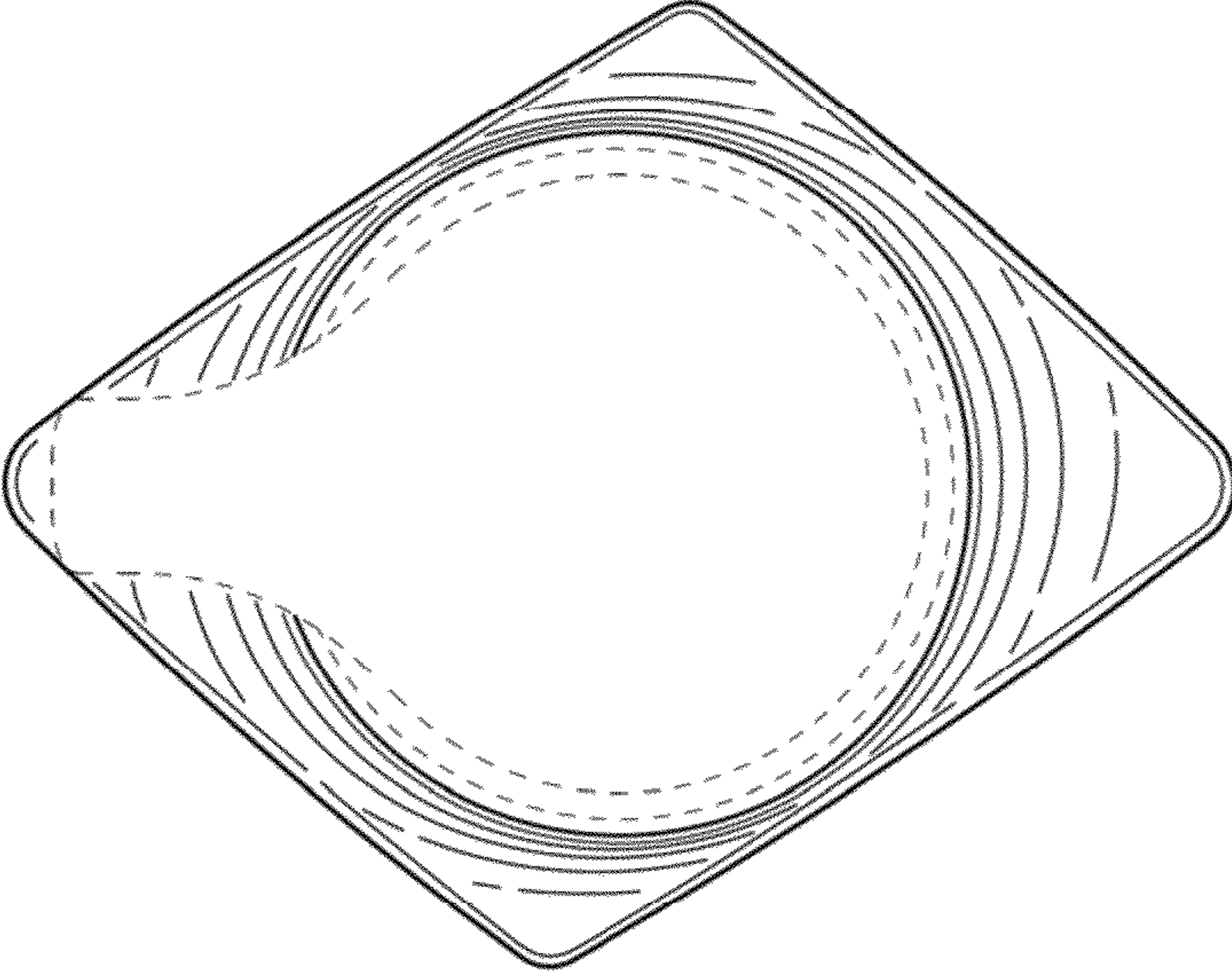


FIG. 6

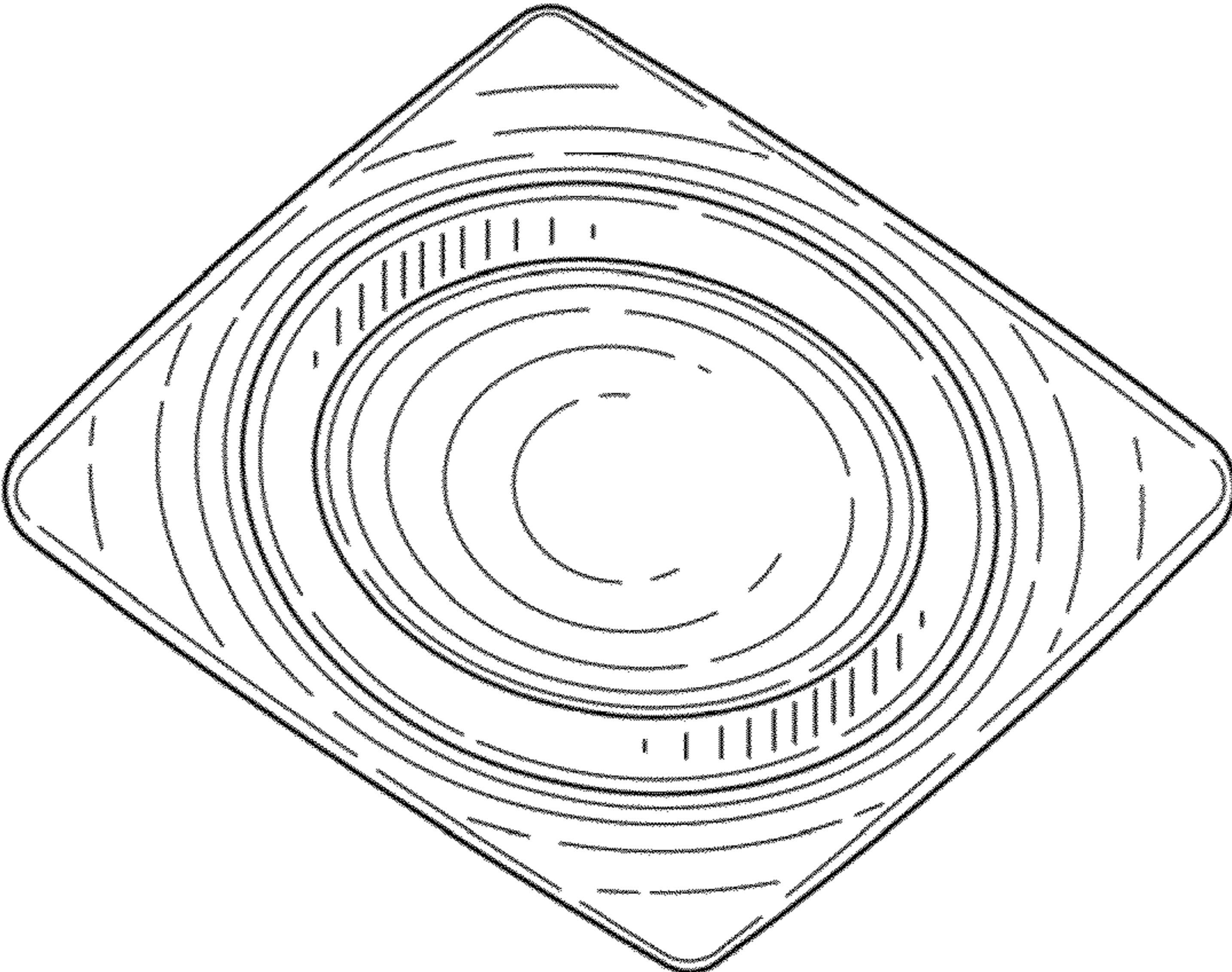


FIG. 7