



US00D730735S

(12) **United States Design Patent**
Sommer

(10) **Patent No.:** **US D730,735 S**
(45) **Date of Patent:** **** Jun. 2, 2015**

- (54) **BEVERAGE CONTAINER**
- (71) Applicant: **Stout Brands, LLC**, Kings Mountain, NC (US)
- (72) Inventor: **Cody Randall Sommer**, Mooresville, NC (US)
- (73) Assignee: **Stout Brands, LLC**, Kings Mountain, NC (US)
- (**) Term: **14 Years**
- (21) Appl. No.: **29/433,733**
- (22) Filed: **Oct. 4, 2012**
- (51) **LOC (10) Cl.** **09-01**
- (52) **U.S. Cl.**
USPC **D9/500**; D9/521
- (58) **Field of Classification Search**
USPC D9/682, 686, 688-692, 500, 502-505, D9/516, 529, 544, 549, 558, 574-575, 435, D9/452-454; 215/379, 381-384; 220/660, 220/662, 669, 675; D7/591, 597, 679; D28/4, 76; D24/219, 224; D27/183, D27/189-190
See application file for complete search history.

D246,800	S	*	12/1977	Wong	D24/224
D252,612	S	*	8/1979	Mull	D24/224
D253,722	S	*	12/1979	Allen	D9/504 X
D256,053	S	*	7/1980	Steigerwald	D24/224
4,278,437	A	*	7/1981	Haggar	436/165
D260,731	S	*	9/1981	Sarac	D24/224 X
D277,788	S	*	2/1985	Liston et al.	D24/224
D318,728	S	*	7/1991	Braune	D24/224
5,160,413	A	*	11/1992	Allison	203/35
D385,793	S	*	11/1997	Marsal	D9/503
D394,522	S	*	5/1998	Putnam	D27/190
6,079,579	A	*	6/2000	De Cuyper	215/41
D677,989	S	*	3/2013	Fraser	D7/523
2002/0022099	A1	*	2/2002	Schmidt et al.	428/35.7
2002/0090473	A1	*	7/2002	Lee et al.	428/35.7
2003/0219555	A1	*	11/2003	Hutchinson et al.	428/35.7
2005/0170113	A1	*	8/2005	Hill	428/35.7
2009/0194915	A1	*	8/2009	Hill	264/537
2011/0100946	A1	*	5/2011	Perra	215/40
2012/0031869	A1	*	2/2012	Bauer	215/6

* cited by examiner

Primary Examiner — Carol P Rademaker

(74) *Attorney, Agent, or Firm* — Trego, Hines & Ladenheim, PLLC

(57) **CLAIM**

I claim the ornamental design for a beverage container, as shown and described.

DESCRIPTION

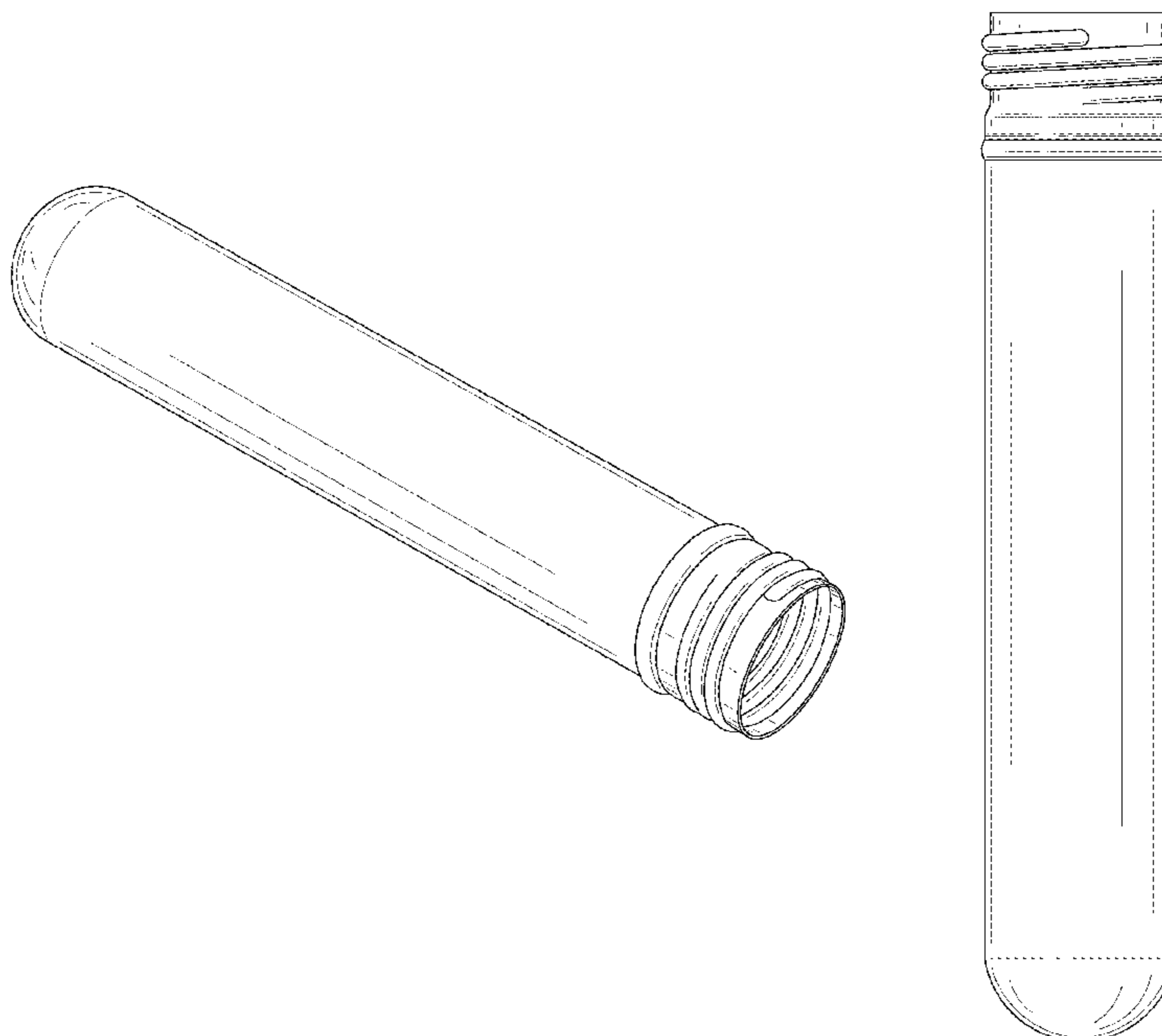
FIG. 1 is a top, front perspective view of a beverage container, showing my new design;
FIG. 2 is a rear elevational view thereof;
FIG. 3 is a top plan view thereof; and,
FIG. 4 is a bottom plan view thereof.

1 Claim, 3 Drawing Sheets

(56) **References Cited**

U.S. PATENT DOCUMENTS

D34,226	S	*	3/1901	Price	D9/503
D137,496	S	*	3/1944	Lustig	D3/203.2
D139,383	S	*	11/1944	Lampl	D3/203.2
D225,398	S	*	12/1972	David	D9/503 X
D225,526	S	*	12/1972	Baum	D24/224
D229,689	S	*	12/1973	Dragotta	D24/224



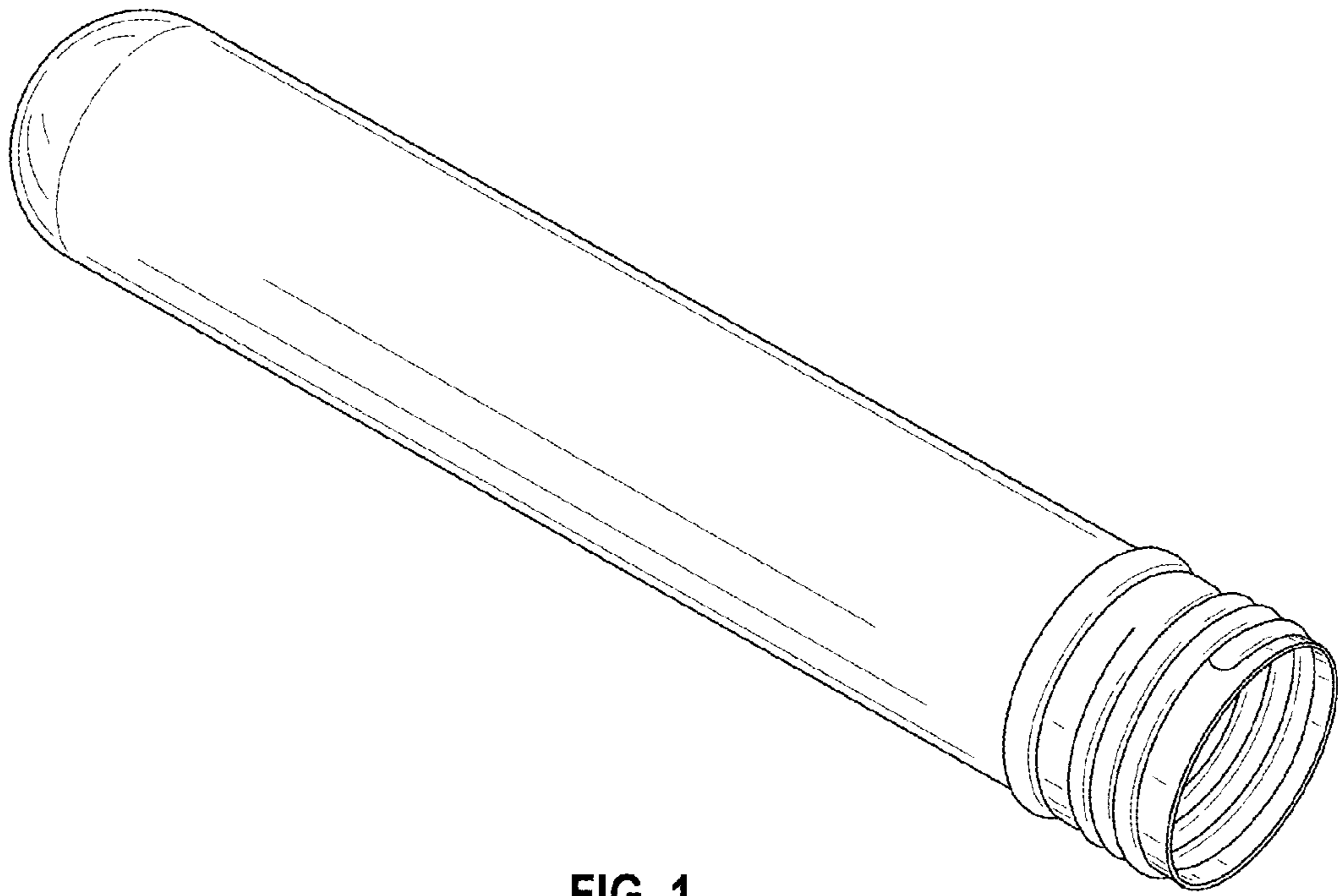


FIG. 1

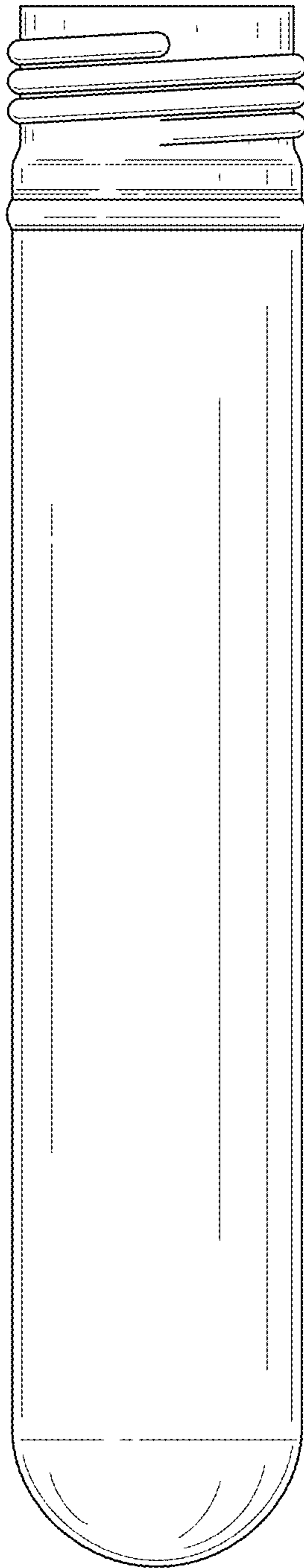


FIG. 2

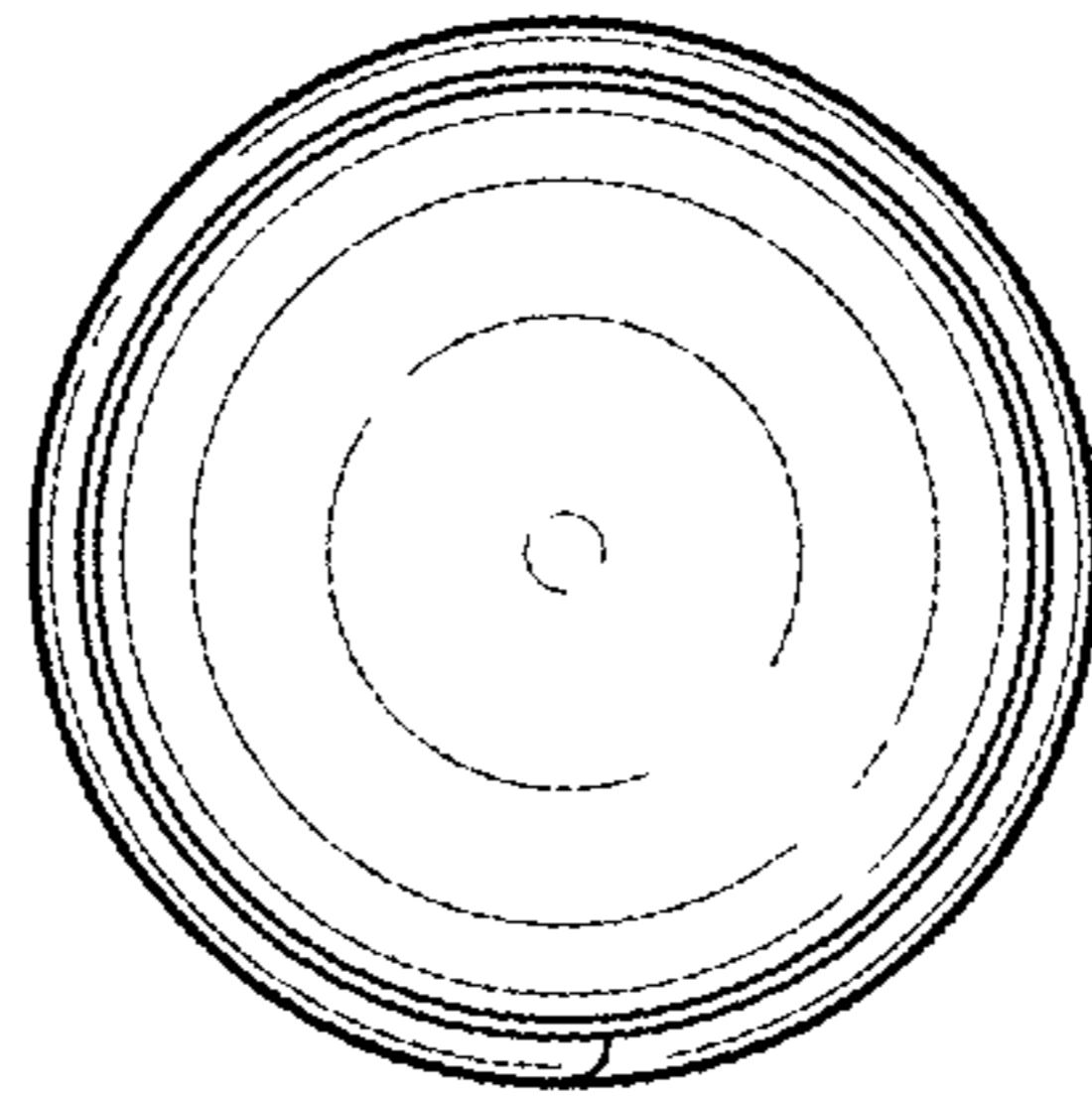


FIG. 3

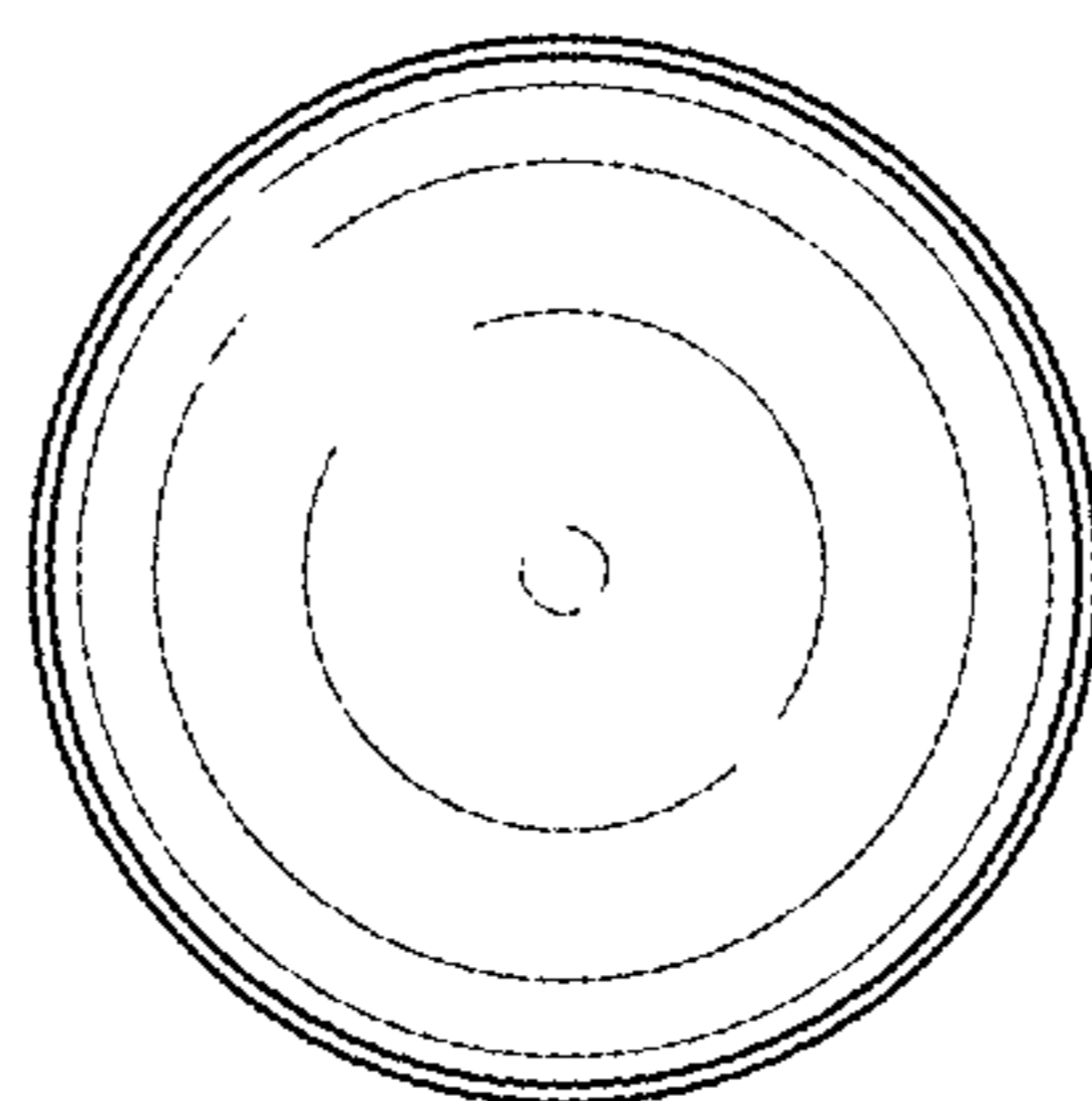


FIG. 4