



US00D730734S

(12) **United States Design Patent**  
**Rapparini**

(10) **Patent No.:** **US D730,734 S**  
(45) **Date of Patent:** **\*\* Jun. 2, 2015**

(54) **REINFORCEMENT RING FOR BEVERAGE CAPSULE**

(71) Applicant: **Gino Rapparini**, Bologna (IT)

(72) Inventor: **Gino Rapparini**, Bologna (IT)

(\*\*) Term: **14 Years**

(21) Appl. No.: **29/460,387**

(22) Filed: **Jul. 10, 2013**

(51) **LOC (10) Cl.** ..... **09-07**

(52) **U.S. Cl.**  
USPC ..... **D9/454**

(58) **Field of Classification Search**  
USPC ..... D9/414-416, 418-420, 423-427,  
D9/430-432, 434, 435, 429; 206/508, 518,  
206/539, 540; 220/657, 781, 315, 266, 270,  
220/643, 675, 656-659, 695, 701; D7/391,  
D7/392, 629; D23/259, 262, 269; D32/54;  
222/570; 426/112, 77; 99/295

See application file for complete search history.

(56) **References Cited**

**U.S. PATENT DOCUMENTS**

1,771,337	A *	7/1930	Kendall	.....	220/DIG. 26
1,798,246	A *	3/1931	Braner	.....	277/598
2,807,385	A *	9/1957	Phelps	.....	222/570
2,814,289	A *	11/1957	Dunn	.....	220/4.03
3,440,951	A	4/1969	Barrera		
D260,243	S	8/1981	Dogliotti		
D288,063	S	2/1987	Tyler		
D306,974	S	4/1990	Tholstrup		
4,969,570	A *	11/1990	Harvey, Sr.	.....	D9/434
D367,316	S *	2/1996	Sonden et al.	.....	D23/262
D383,646	S	9/1997	Jeppesen et al.		
D385,017	S *	10/1997	Daroff	.....	D23/261
D435,090	S *	12/2000	Stout, Jr.	.....	D23/269
D438,794	S	3/2001	Miles et al.		
D445,677	S	7/2001	Lindsay et al.		
D449,873	S *	10/2001	Bronson	.....	D23/261
D452,433	S	12/2001	Lazaris		

D453,108	S *	1/2002	Gasco	.....	D9/429
6,431,389	B1	8/2002	Jerstroem et al.		
D465,061	S *	10/2002	Guthrie	.....	D23/269
6,648,163	B2	11/2003	Porter et al.		
D502,362	S	3/2005	Lazaris et al.		
D515,675	S *	2/2006	Tremoulet et al.	.....	D23/269
D518,885	S *	4/2006	Stout et al.	.....	D23/393

(Continued)

**FOREIGN PATENT DOCUMENTS**

CA	2 734 843	A1	2/2010
EP	0 524 464	A1	1/1993

(Continued)

**OTHER PUBLICATIONS**

International Search Report for International Application No. PCT/IB2011/001278, dated Oct. 20, 2011, 2 pages.

(Continued)

*Primary Examiner* — Susan Bennett Hattan

*Assistant Examiner* — Brett Miller

(74) *Attorney, Agent, or Firm* — Brinks Gilson & Lione

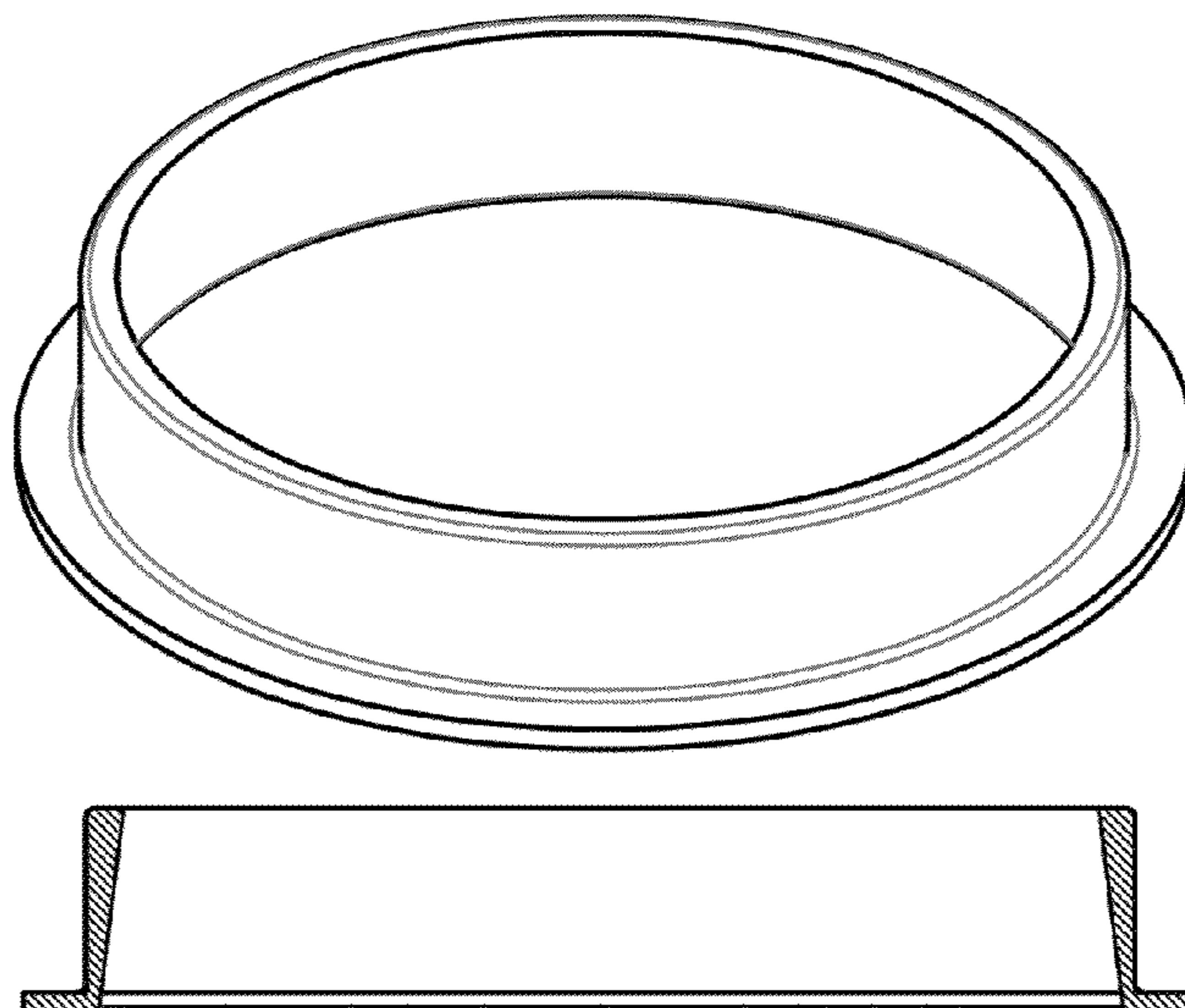
(57) **CLAIM**

I claim the ornamental design for a reinforcement ring for beverage capsule, as shown and described.

**DESCRIPTION**

FIG. 1 is a top perspective view of a reinforcement ring for beverage capsule of the present invention; FIG. 2 is a bottom plan view thereof; FIG. 3 is a top plan view thereof; FIG. 4 is a transverse section view thereof, taken along line 4-4 of FIG. 3; and, FIG. 5 is a side elevation view thereof, with all other side views looking the same. Broken lines and/or lighter-weight lines are used in FIGS. 1-5 to show contours most clearly viewable in FIG. 1.

**1 Claim, 5 Drawing Sheets**



(56)

**References Cited**

U.S. PATENT DOCUMENTS

D587,995 S 3/2009 Studee  
 D595,835 S \* 7/2009 Fu ..... D23/411  
 D605,502 S 12/2009 Honda et al.  
 D606,363 S 12/2009 Aardenburg  
 D606,404 S 12/2009 Diss  
 D612,732 S 3/2010 Takata et al.  
 D616,966 S \* 6/2010 Angell ..... D23/262  
 D626,208 S \* 10/2010 Clements ..... D23/386  
 D627,636 S 11/2010 Fang  
 D628,883 S 12/2010 Stephens  
 D637,484 S 5/2011 Winkler  
 D644,924 S 9/2011 Lin  
 D647,397 S 10/2011 Inaba  
 D651,865 S 1/2012 Smyers  
 D652,266 S 1/2012 Smyers  
 8,147,887 B2 \* 4/2012 Dogan et al. .... 426/77  
 D659,334 S \* 5/2012 Runyons ..... D32/54  
 D668,538 S 10/2012 Knutson et al.  
 D681,176 S \* 4/2013 Chacko ..... D23/269  
 D682,675 S 5/2013 Rapparini

D682,994 S \* 5/2013 Schulz ..... D23/259  
 D685,631 S 7/2013 Rapparini  
 D692,759 S 11/2013 Rapparini  
 D692,760 S 11/2013 Rapparini  
 D706,908 S \* 6/2014 Knapp ..... D23/269  
 2006/0236871 A1 \* 10/2006 Ternite et al. .... 99/295  
 2007/0148290 A1 6/2007 Ternite et al.  
 2011/0111098 A1 5/2011 Ricotti  
 2013/0139700 A1 \* 6/2013 Fabozzi et al. .... 99/295  
 2014/0023754 A1 \* 1/2014 Abegglen et al. .... 426/112  
 2014/0116258 A1 \* 5/2014 Bugnano et al. .... 99/293  
 2014/0305314 A1 \* 10/2014 Perentes et al. .... 99/295

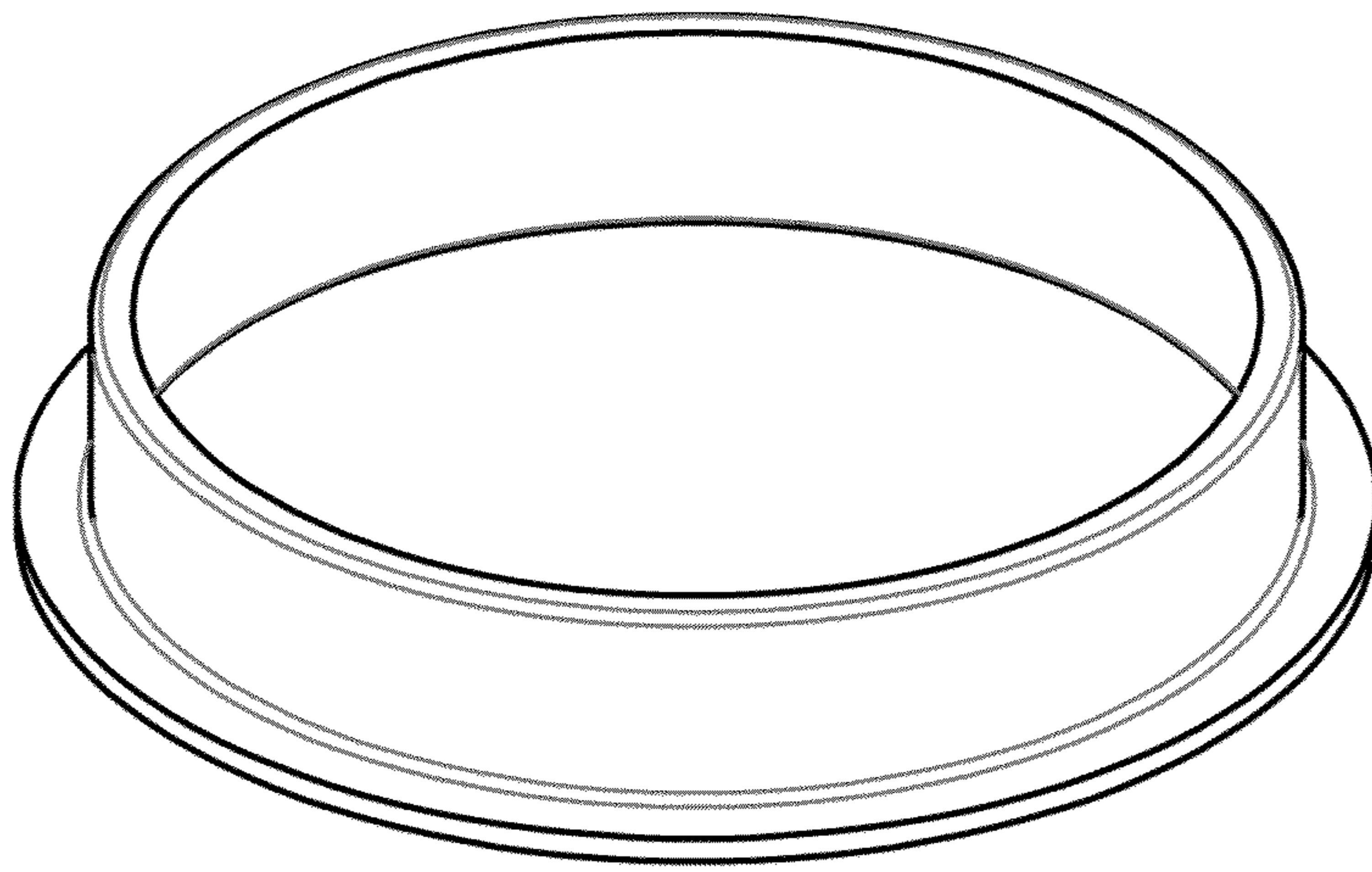
FOREIGN PATENT DOCUMENTS

EP 1 792 850 A1 6/2007  
 FR 1 543 608 10/1968

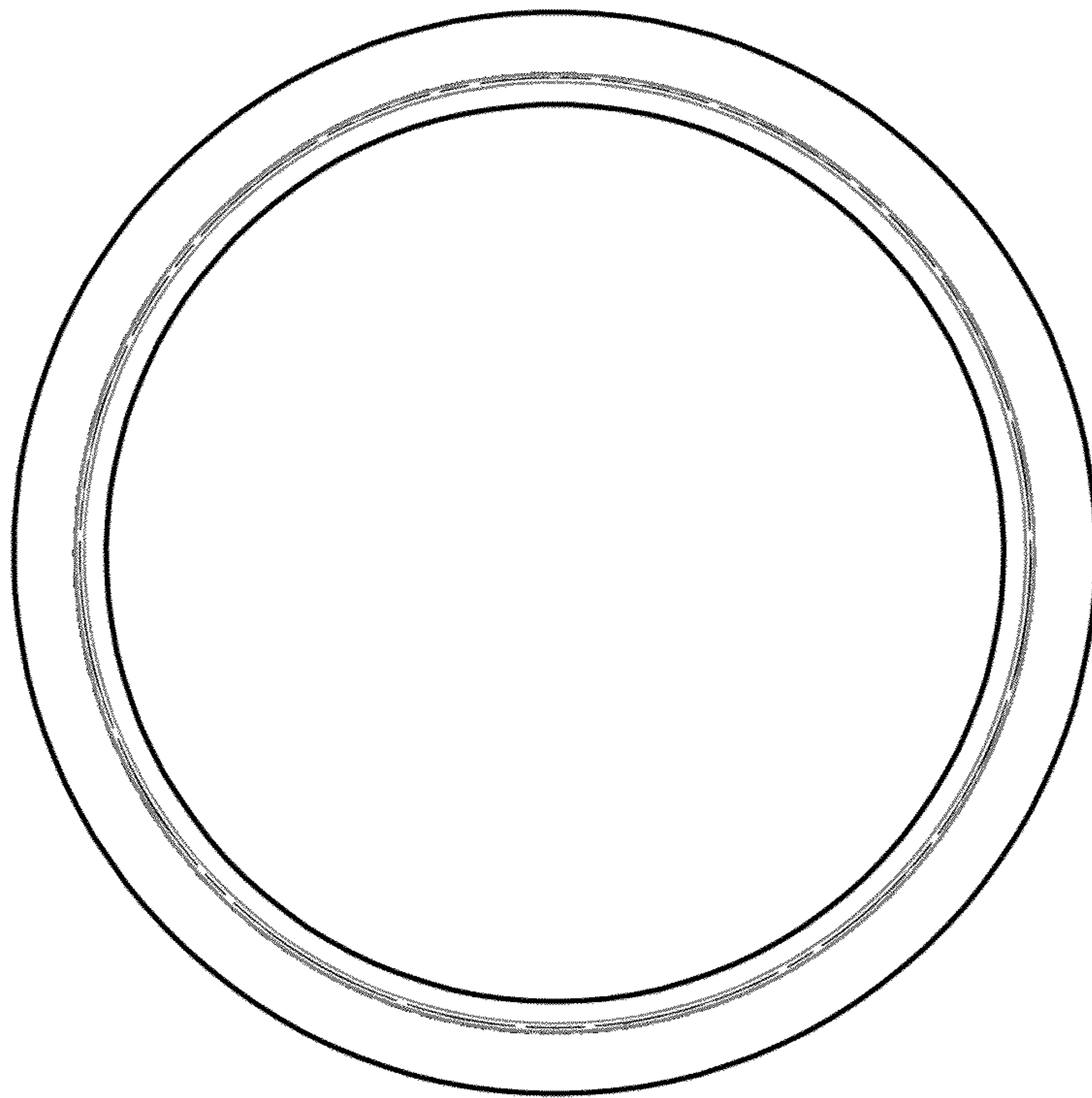
OTHER PUBLICATIONS

International Search Report for International Application No. PCT/IB2011/001273, dated Oct. 21, 2011, 2 pages.

\* cited by examiner

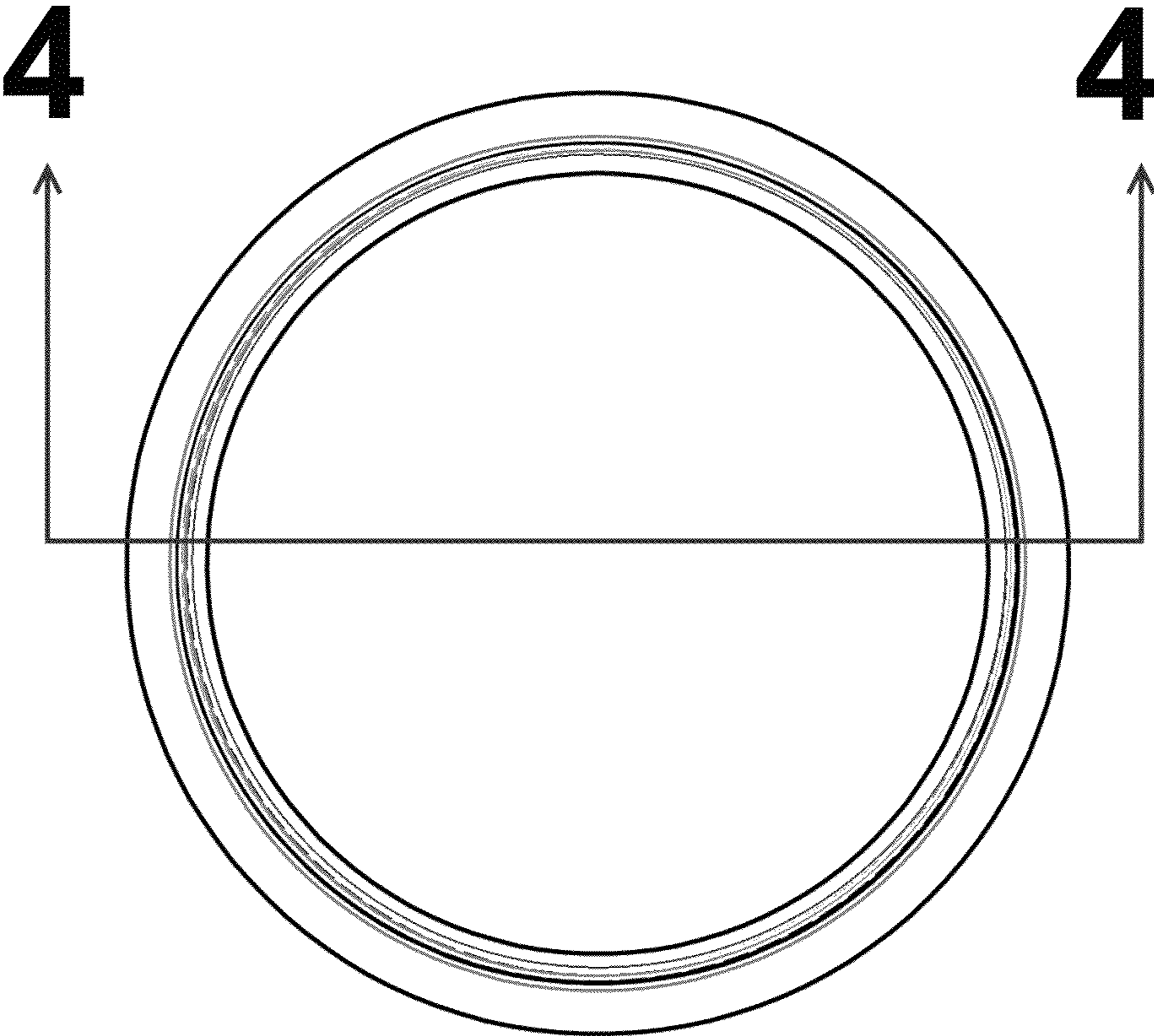


**FIG. 1**



**FIG. 2**





**FIG. 3**



**FIG. 4**



**FIG. 5**