



US00D730732S

(12) **United States Design Patent**
Sweeton

(10) **Patent No.:** **US D730,732 S**
(45) **Date of Patent:** **** Jun. 2, 2015**

- (54) **TRIGGER SPRAYER SHROUD**
- (71) Applicant: **MeadWestvaco Corporation**,
Richmond, VA (US)
- (72) Inventor: **Steven L. Sweeton**, Lake Winnebago,
MO (US)
- (73) Assignee: **MeadWestvaco Corporation**,
Richmond, VA (US)
- (**) Term: **14 Years**
- (21) Appl. No.: **29/472,028**
- (22) Filed: **Nov. 7, 2013**
- (51) **LOC (10) Cl.** **09-07**
- (52) **U.S. Cl.**
USPC **D9/448**
- (58) **Field of Classification Search**
USPC D6/542-545; D7/300, 321, 392.1,
D7/396.2, 500, 507, 509, 510, 511, 900;
D9/434-449, 452-455, 682, 685;
215/200, 235, 236, 252, 259, 329,
215/355-364; 220/200, 203.04-203.07,
220/220, 254.1, 254.4, 556, 703, 704, 705;
D28/4, 76, 88, 89, 82, 91.1
See application file for complete search history.

D649,458 S *	11/2011	Neumann et al.	D9/448
D649,459 S *	11/2011	Castillo Higareda et al. .	D9/448
D653,540 S *	2/2012	Sweeton	D9/448
D653,541 S *	2/2012	Foster et al.	D9/448
D685,268 S *	7/2013	Gill et al.	D9/448
D700,051 S *	2/2014	Driskell	D9/448
D702,122 S *	4/2014	Rech	D9/448
D703,047 S *	4/2014	Sweeton	D9/448
D705,649 S *	5/2014	Sweeton	D9/434
D705,653 S *	5/2014	Sweeton	D9/449
8,757,447 B2 *	6/2014	Gill et al.	222/153.13

* cited by examiner

Primary Examiner — Robert M Spear

Assistant Examiner — Marissa J Cash

(74) *Attorney, Agent, or Firm* — MeadWestvaco Intellectual Property Group

(57) **CLAIM**

The ornamental design for a trigger sprayer shroud, as shown and described.

DESCRIPTION

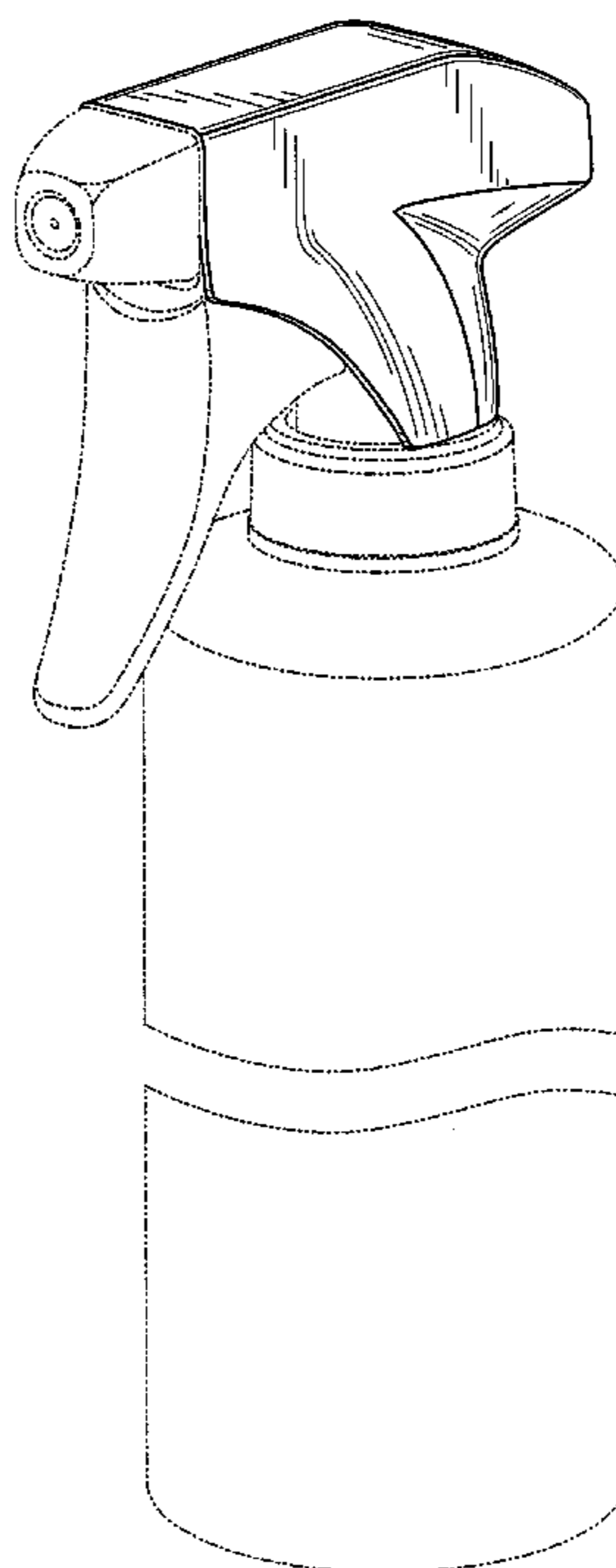
FIG. 1 is a perspective view of a trigger sprayer shroud showing the new design;
 FIG. 2 is a back perspective view of the new design;
 FIG. 3 is a left view of the new design;
 FIG. 4 is a right view of the new design;
 FIG. 5 is a front view of the new design;
 FIG. 6 is a back view of the new design; and,
 FIG. 7 is a top view of the new design.
 The broken-line disclosure is understood to represent portions of the article in which the claimed design is embodied, but which form no part of the claimed design.

(56) **References Cited**

U.S. PATENT DOCUMENTS

D588,454 S *	3/2009	Sweeton et al.	D9/448
D601,897 S *	10/2009	Contiero	D9/448

1 Claim, 4 Drawing Sheets



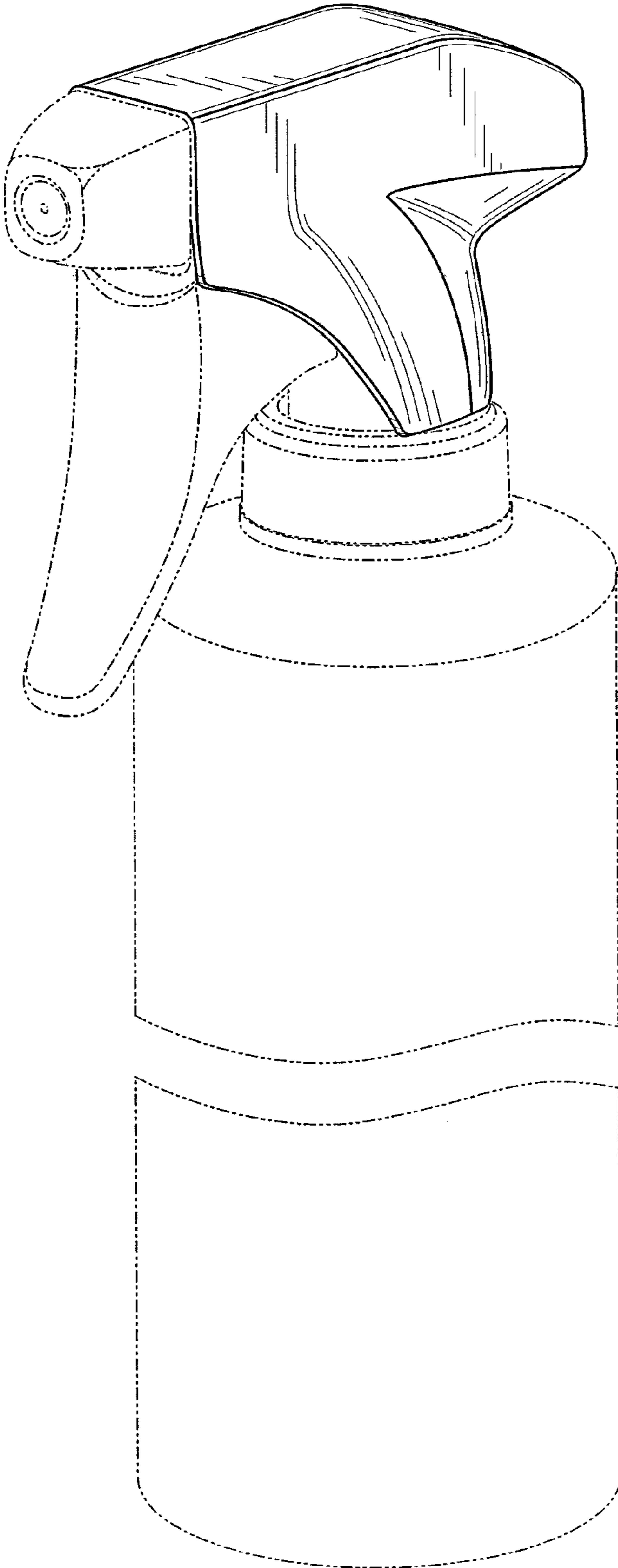


FIG. 1

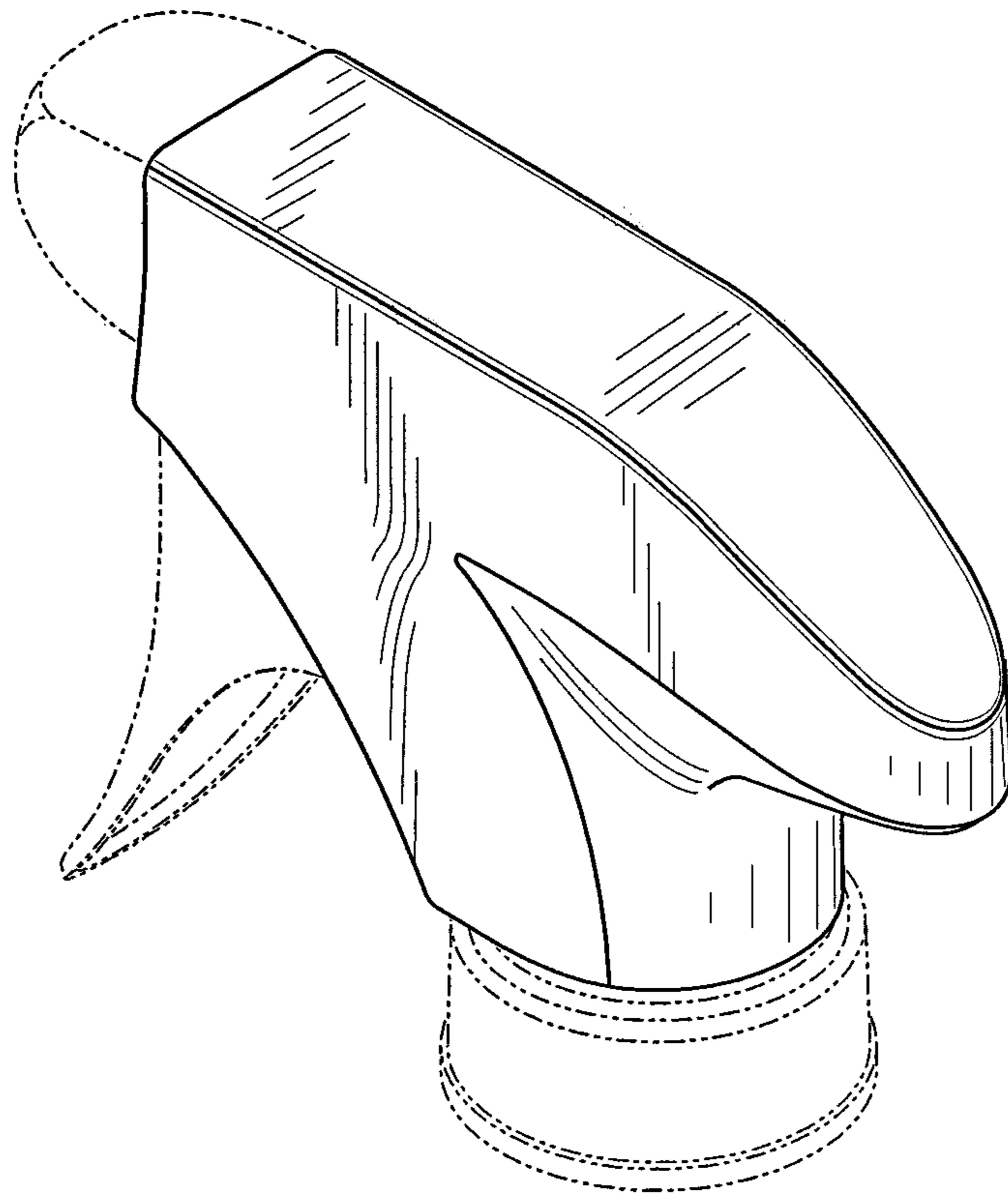


FIG. 2

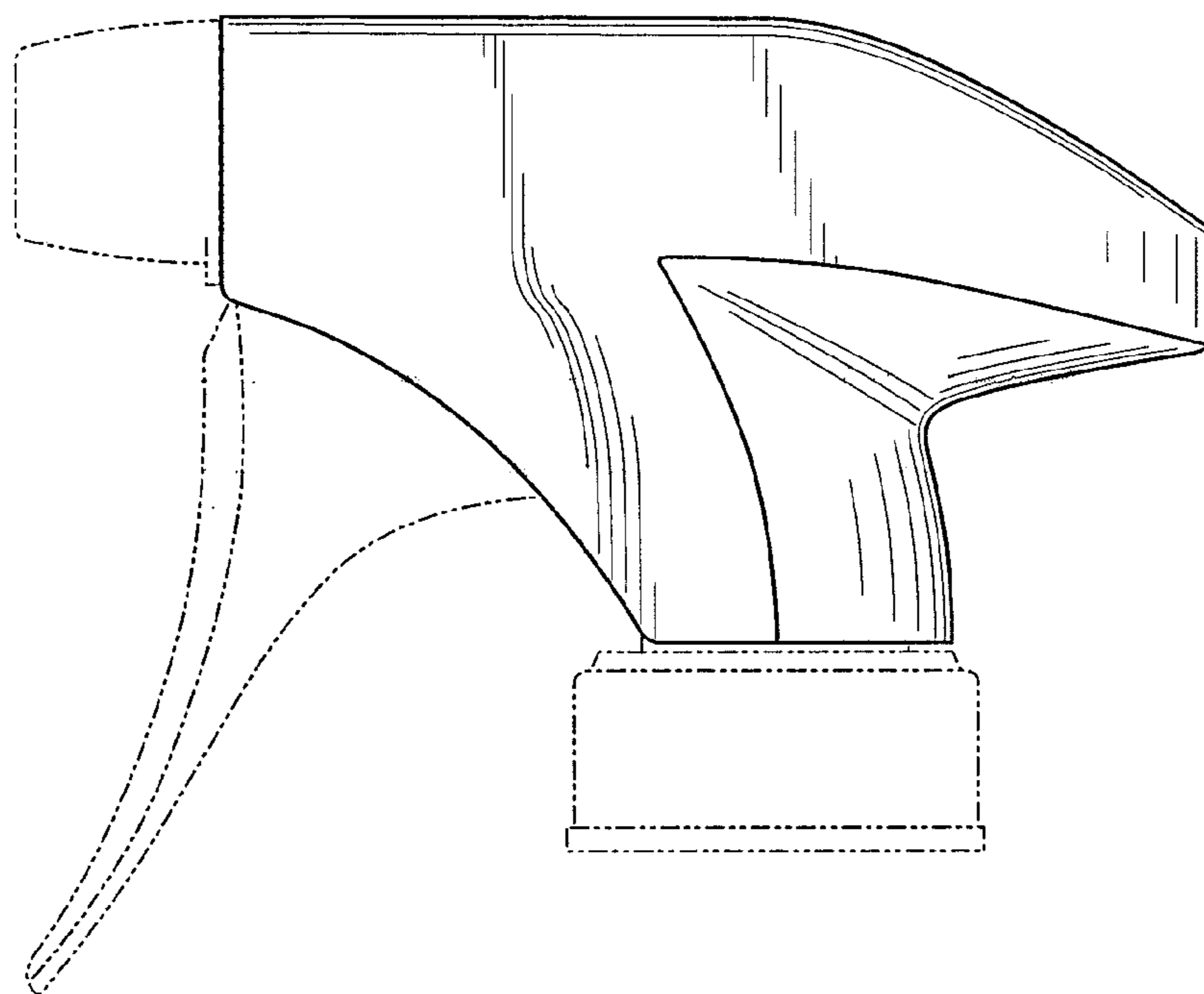


FIG. 3

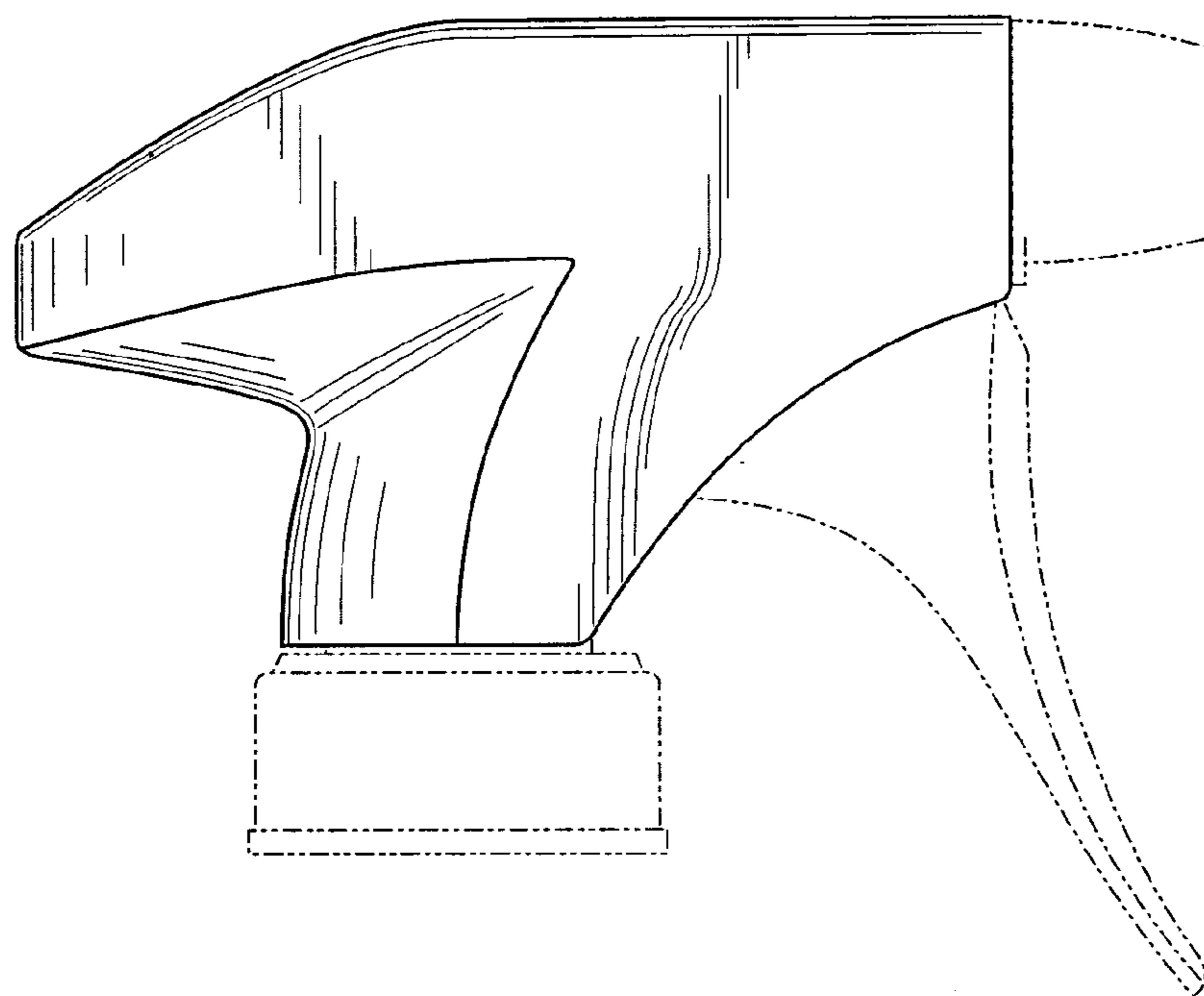


FIG. 4

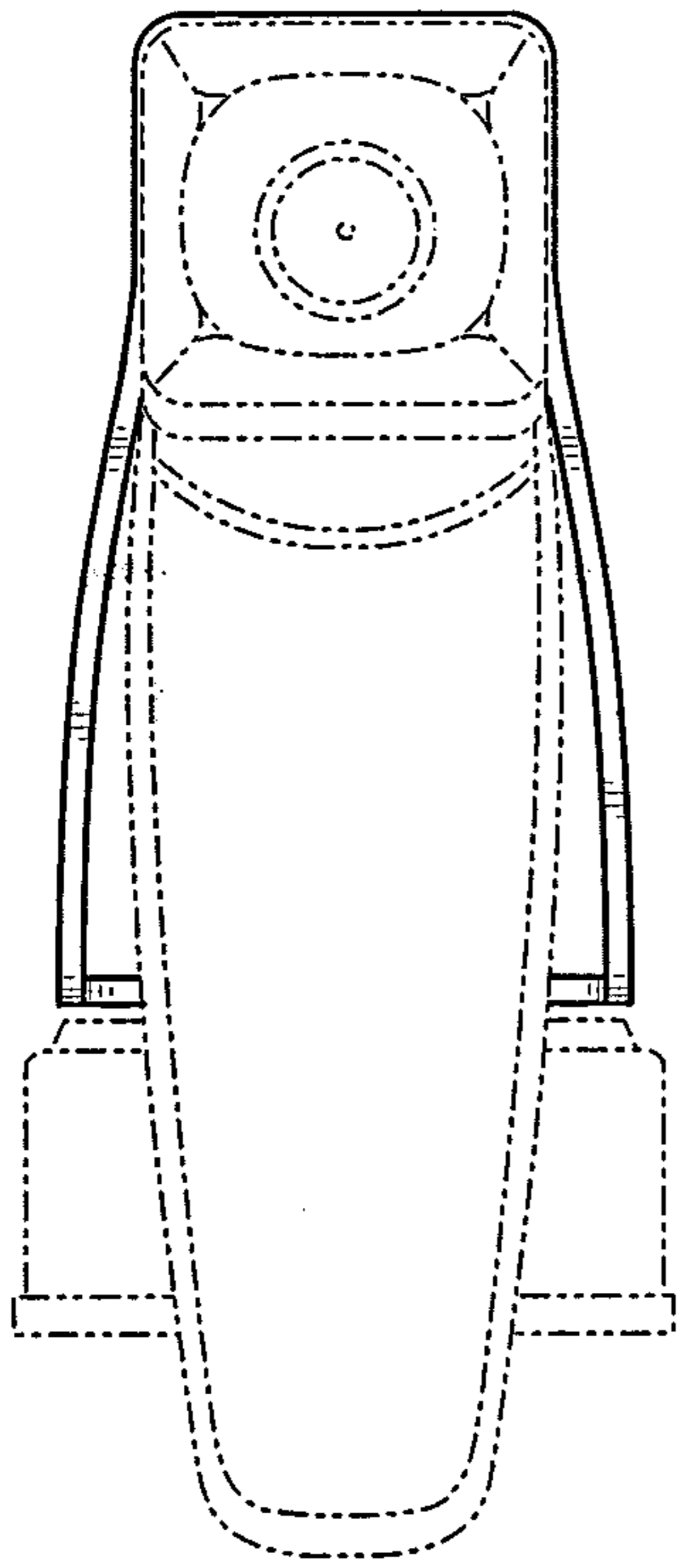


FIG. 5

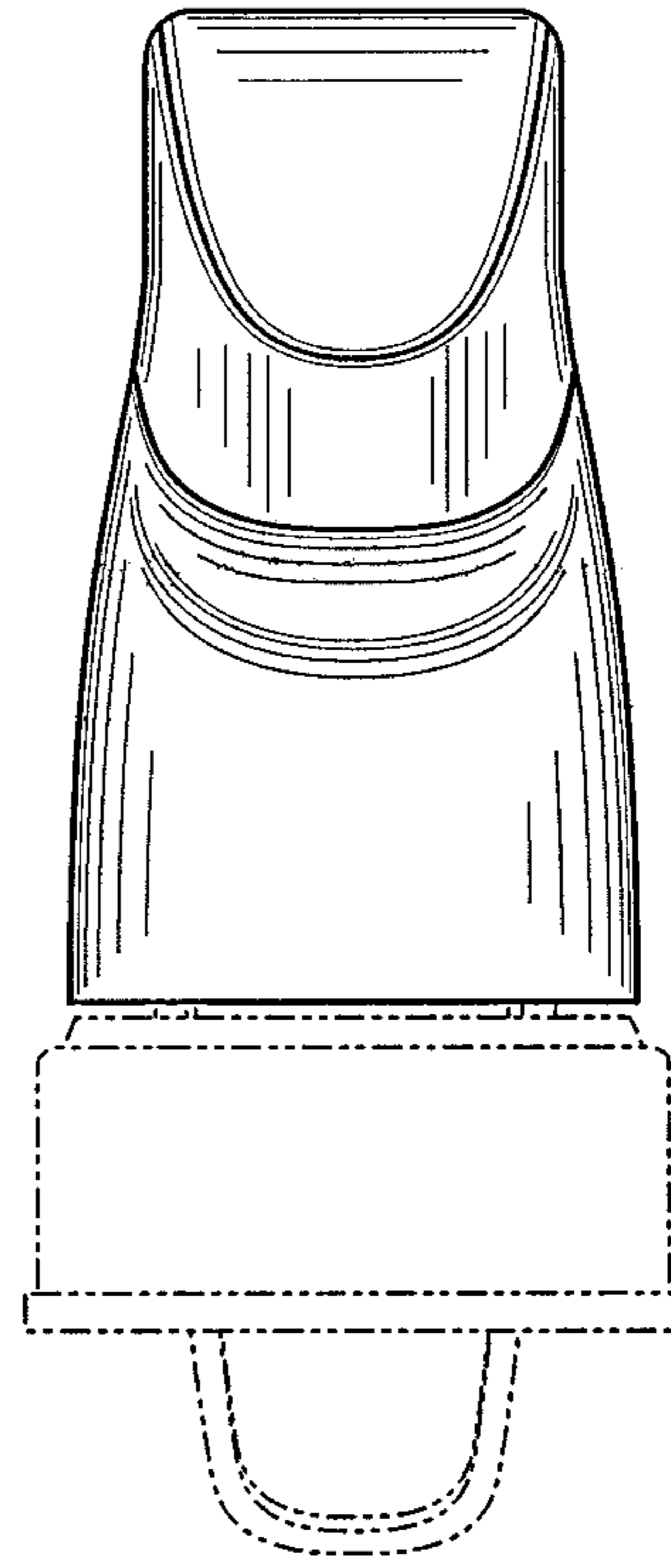


FIG. 6

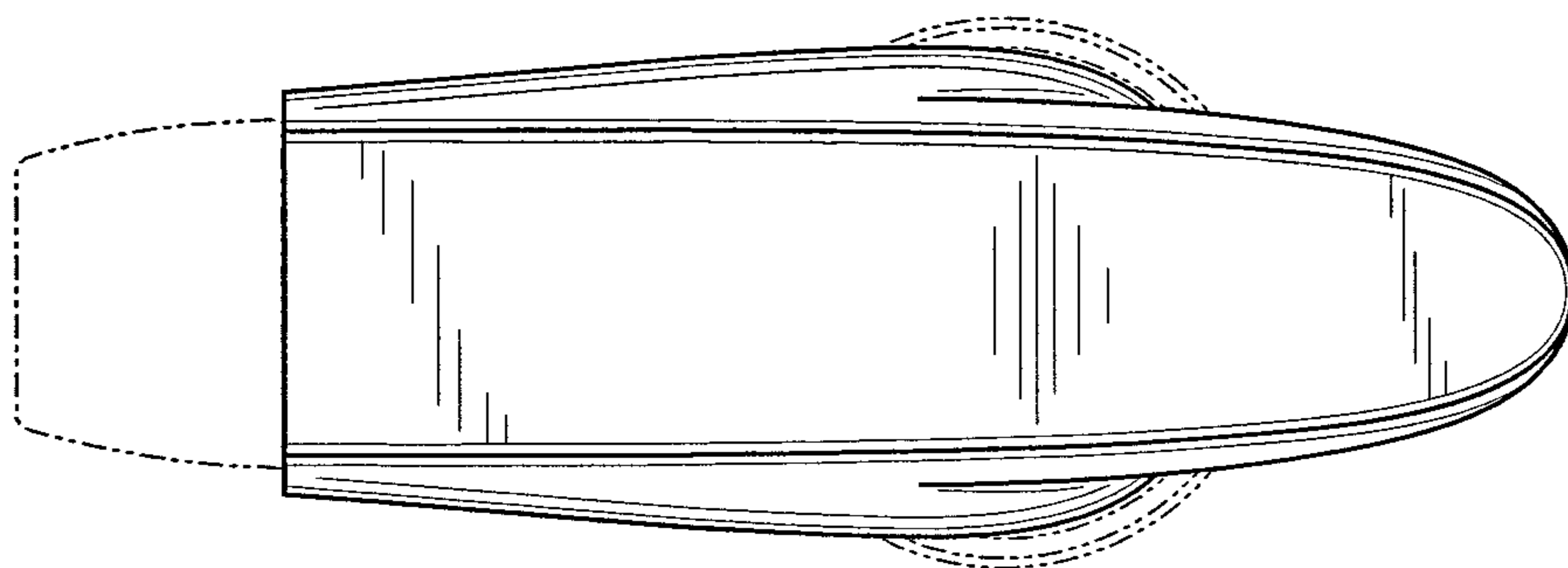


FIG. 7