



US00D730731S

(12) **United States Design Patent**  
**Bewley, Jr. et al.**

(10) **Patent No.:** **US D730,731 S**  
(45) **Date of Patent:** **\*\* Jun. 2, 2015**

- (54) **CAP**
- (71) Applicant: **General Electric Company**,  
Schenectady, NY (US)
- (72) Inventors: **Wilbur Carl Bewley, Jr.**, Nicholasville,  
KY (US); **Ryan James Diener**,  
Louisville, KY (US); **Rebecca Ann**  
**Alvord**, Louisville, KY (US)
- (73) Assignee: **General Electric Company**,  
Schenectady, NY (US)
- (\*\*) Term: **14 Years**
- (21) Appl. No.: **29/490,123**
- (22) Filed: **May 7, 2014**
- (51) **LOC (10) Cl.** ..... **09-07**
- (52) **U.S. Cl.**  
USPC ..... **D9/447**
- (58) **Field of Classification Search**  
USPC ..... D7/387; D8/352; D9/434-436, 440,  
D9/447, 452-454, 456, 499, 500, 503,  
D9/504; D23/260-262, 265, 269, 390;  
D32/3, 25; 34/62, 84, 595; 134/183,  
134/200, 201; 137/514  
CPC ... F04B 53/102; F04B 53/1087; F04B 53/109  
See application file for complete search history.

(56) **References Cited**

**U.S. PATENT DOCUMENTS**

- D30,094 S \* 1/1899 Busch ..... D9/434
- D31,937 S \* 12/1899 Erskine ..... D32/25
- 3,086,550 A \* 4/1963 Cummings ..... 137/514

- 3,444,889 A \* 5/1969 Graham et al. .... 137/547
- D286,026 S \* 10/1986 Rayner ..... D9/435
- D309,564 S \* 7/1990 Rayner ..... D9/435
- D315,309 S \* 3/1991 Baughman ..... D9/456
- 7,367,134 B2 5/2008 Osvatic
- 7,556,049 B2 7/2009 Oakes
- D623,519 S \* 9/2010 Richardson ..... D9/454
- D629,874 S \* 12/2010 Hermans ..... D23/260
- D641,628 S \* 7/2011 Baughman ..... D9/452
- D720,838 S \* 1/2015 Yamagishi et al. .... D23/261

**OTHER PUBLICATIONS**

How Stuff Works. How to Repair a Dishwasher. [May 3, 2006], [site visited Jan. 27, 2015]. Available from Internet, <URL:http://home.howstuffworks.com/how-to-repair-a-dishwasher.htm>.\*

\* cited by examiner

*Primary Examiner* — Robert M Spear

*Assistant Examiner* — Darcey E Heflin

(74) *Attorney, Agent, or Firm* — Dority & Manning, P.A.

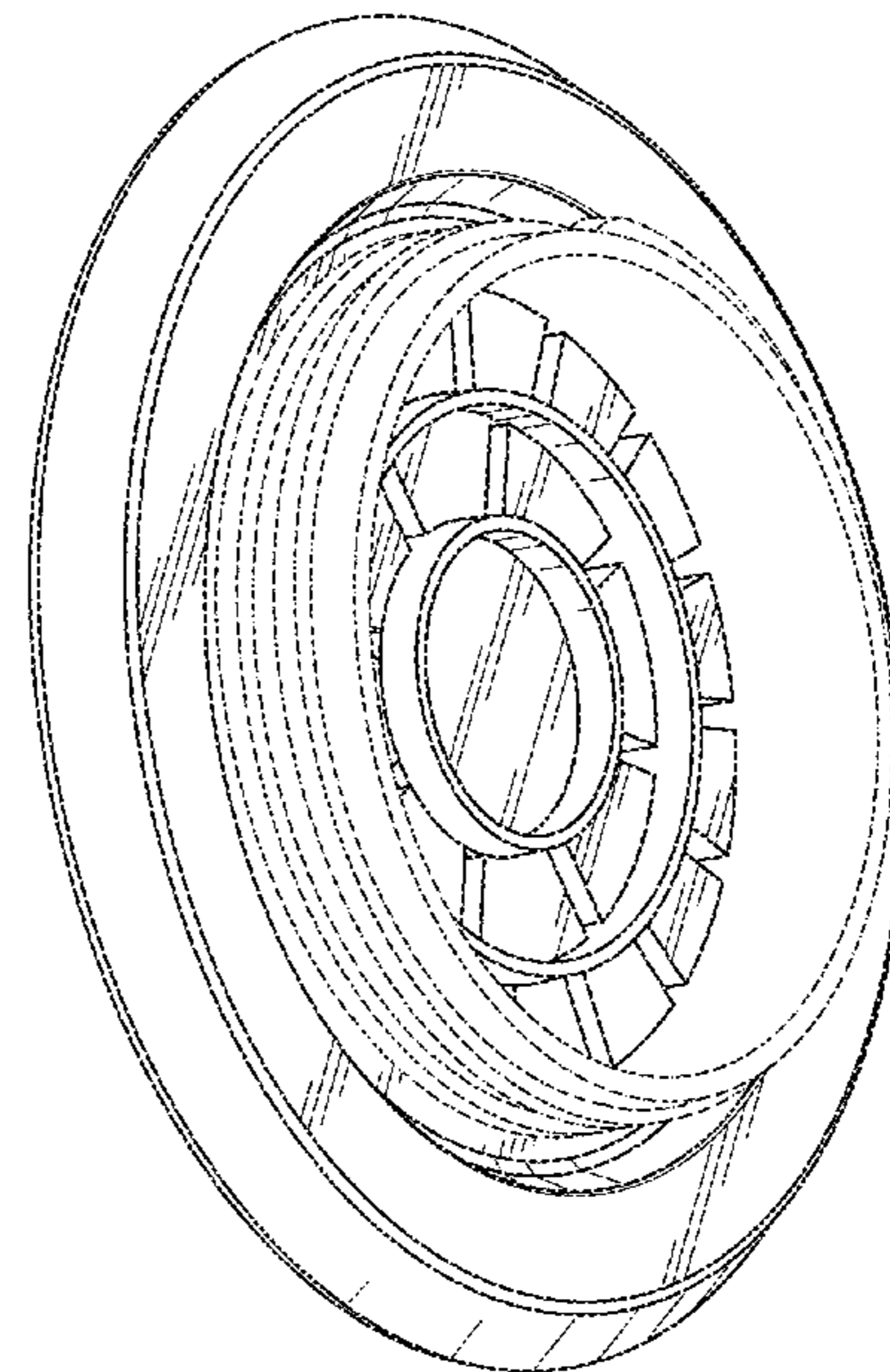
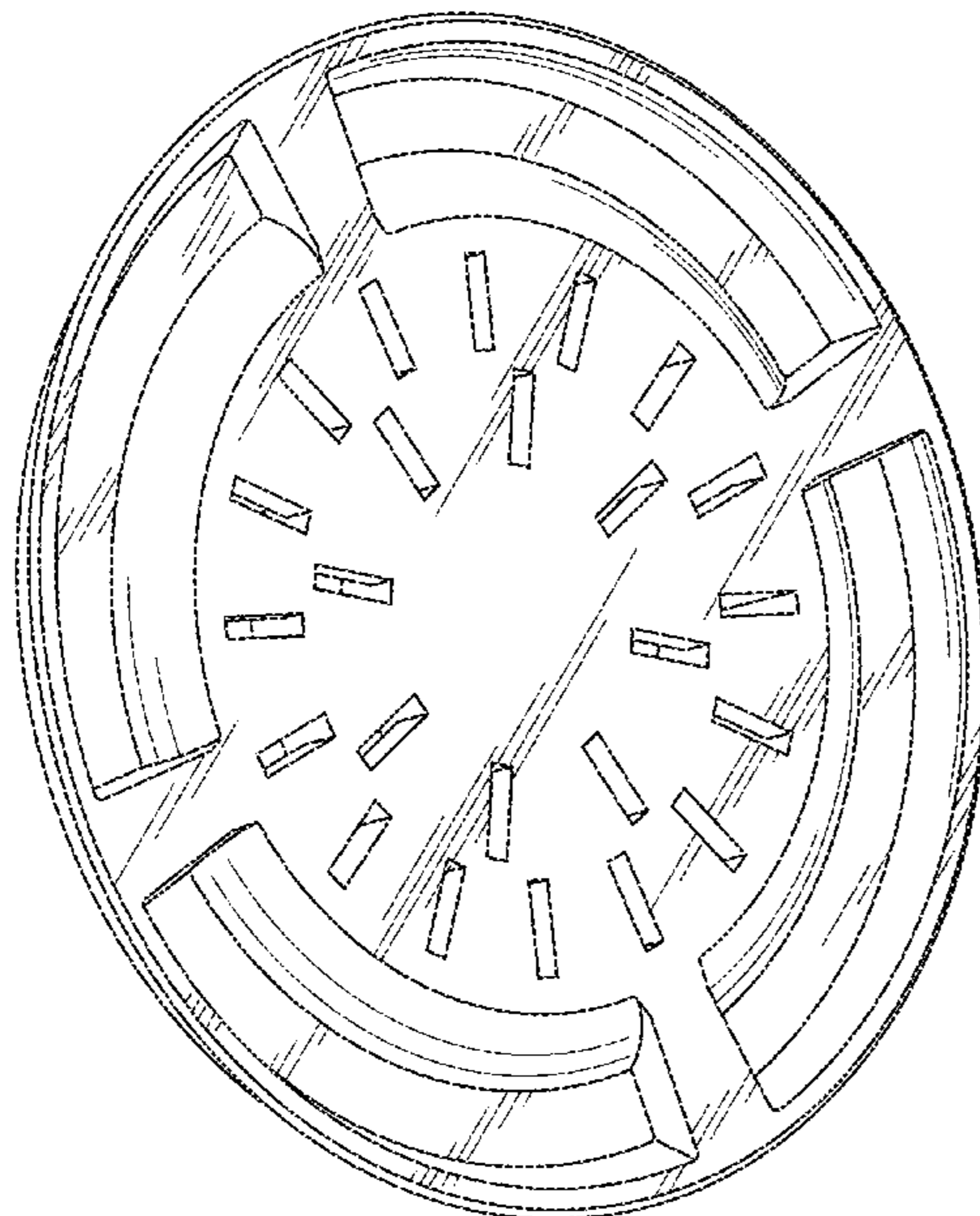
(57) **CLAIM**

The ornamental design for a cap, as shown and described.

**DESCRIPTION**

FIG. 1 is a top perspective view showing our new cap design; FIG. 2 is a bottom perspective view of our new cap design; FIG. 3 is a top view of our new cap design; FIG. 4 is a bottom view of our new cap design; FIGS. 5 and 6 are opposing side elevational views of our new cap design; and, FIGS. 7 and 8 are, respectively, front and rear elevational views of our new cap design. In the drawings, the dashed lines to depict environmental structure and form no part of the claimed design.

**1 Claim, 6 Drawing Sheets**



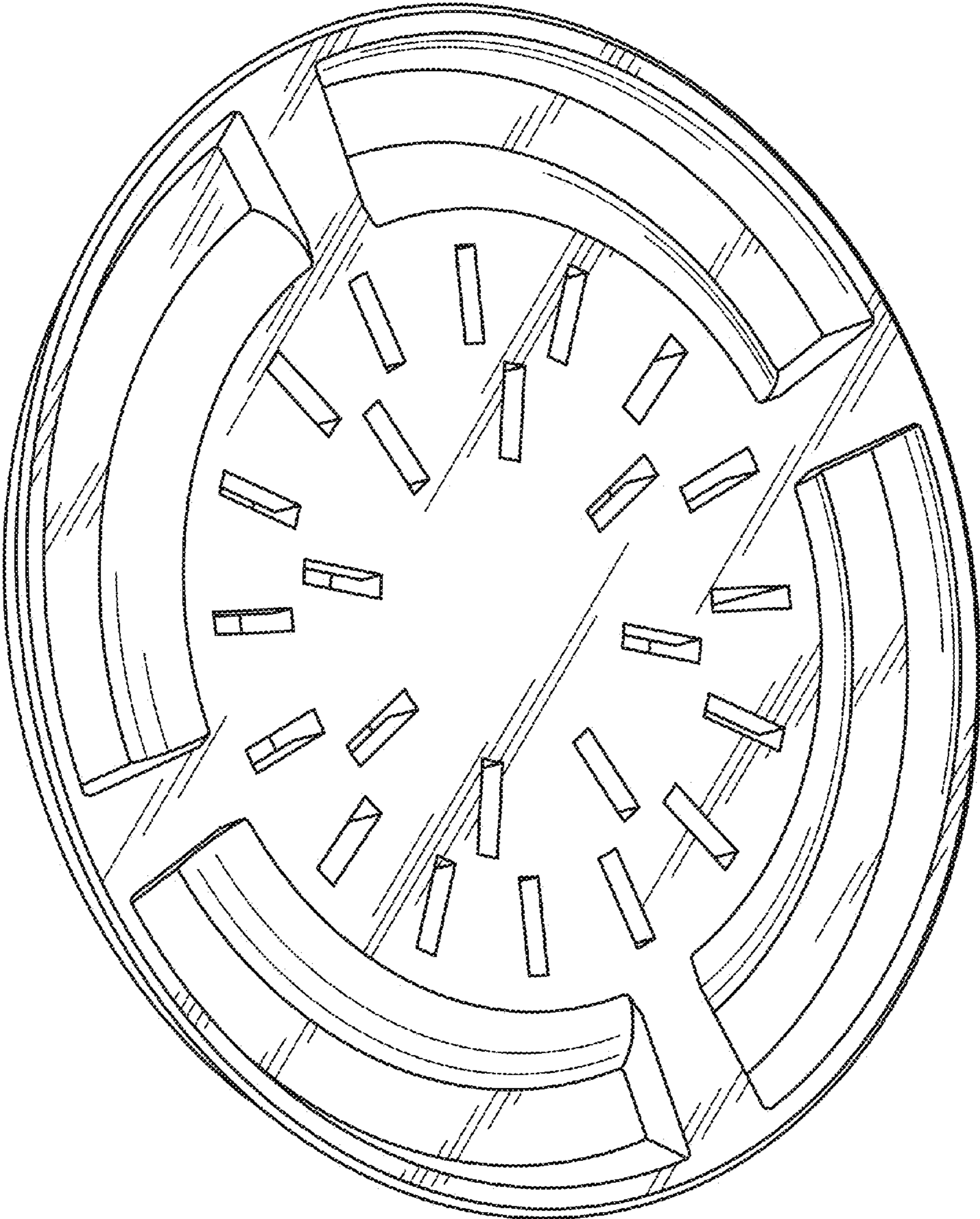


FIG. 1

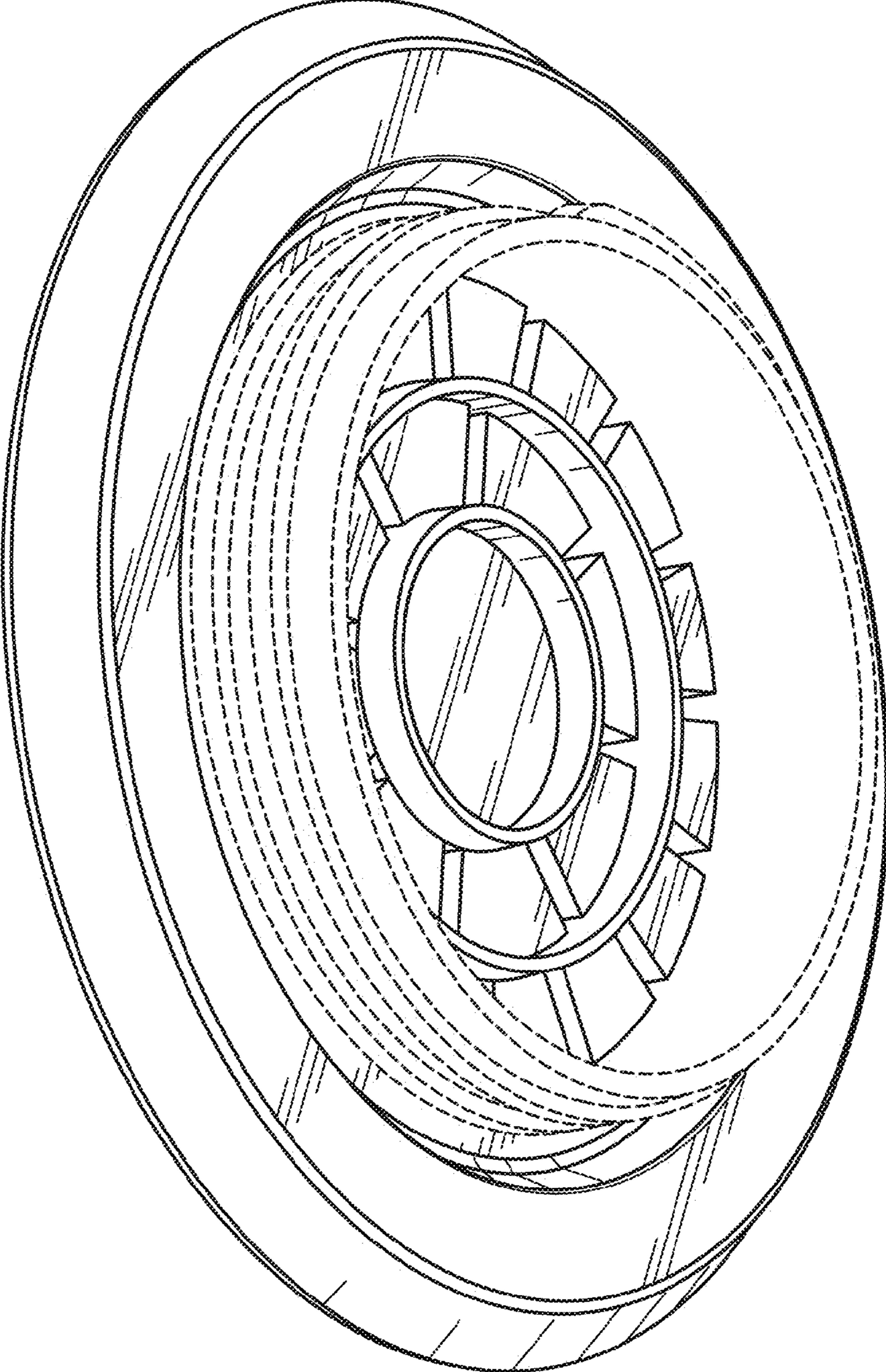


FIG. 2

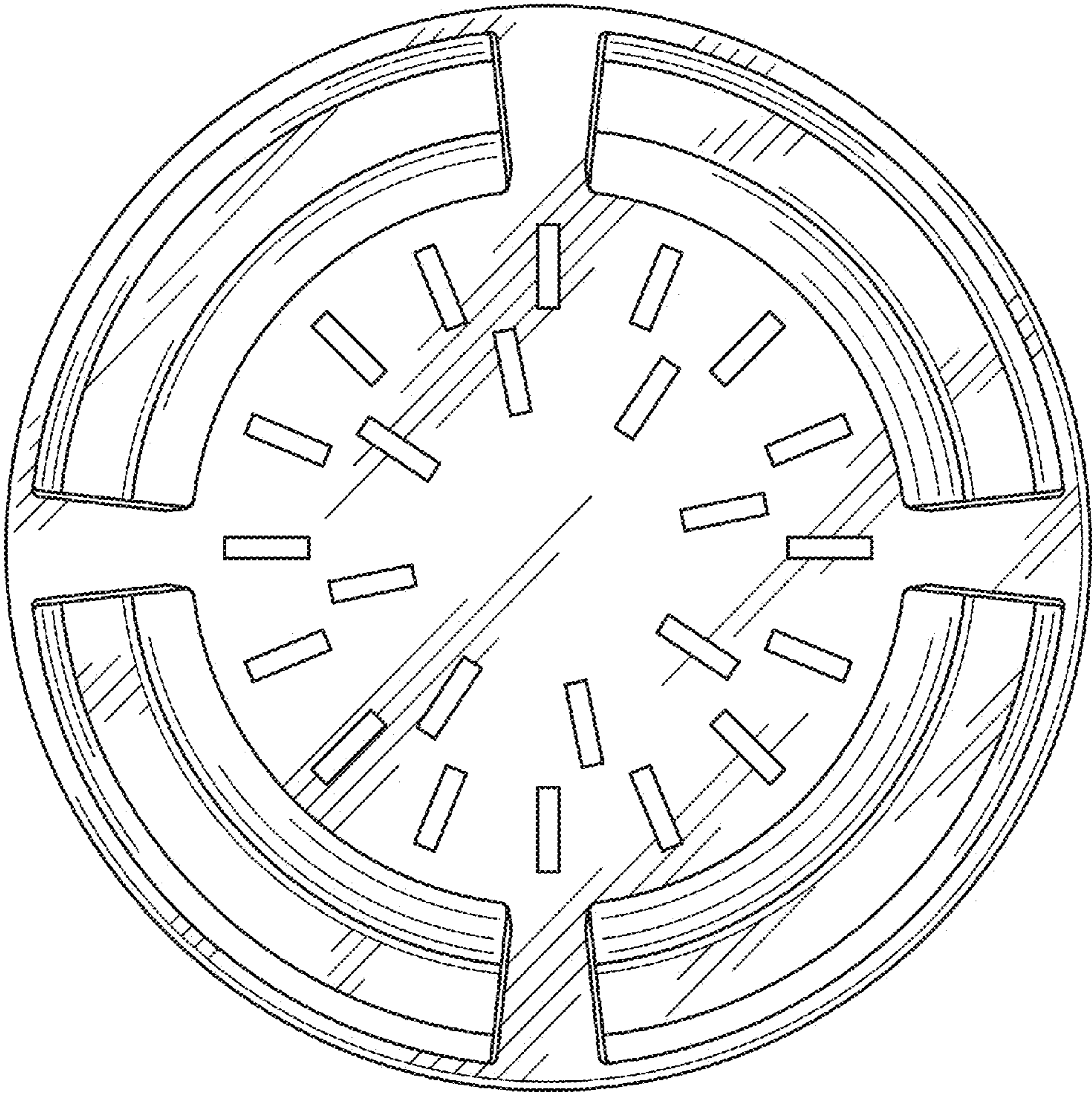


FIG. 3

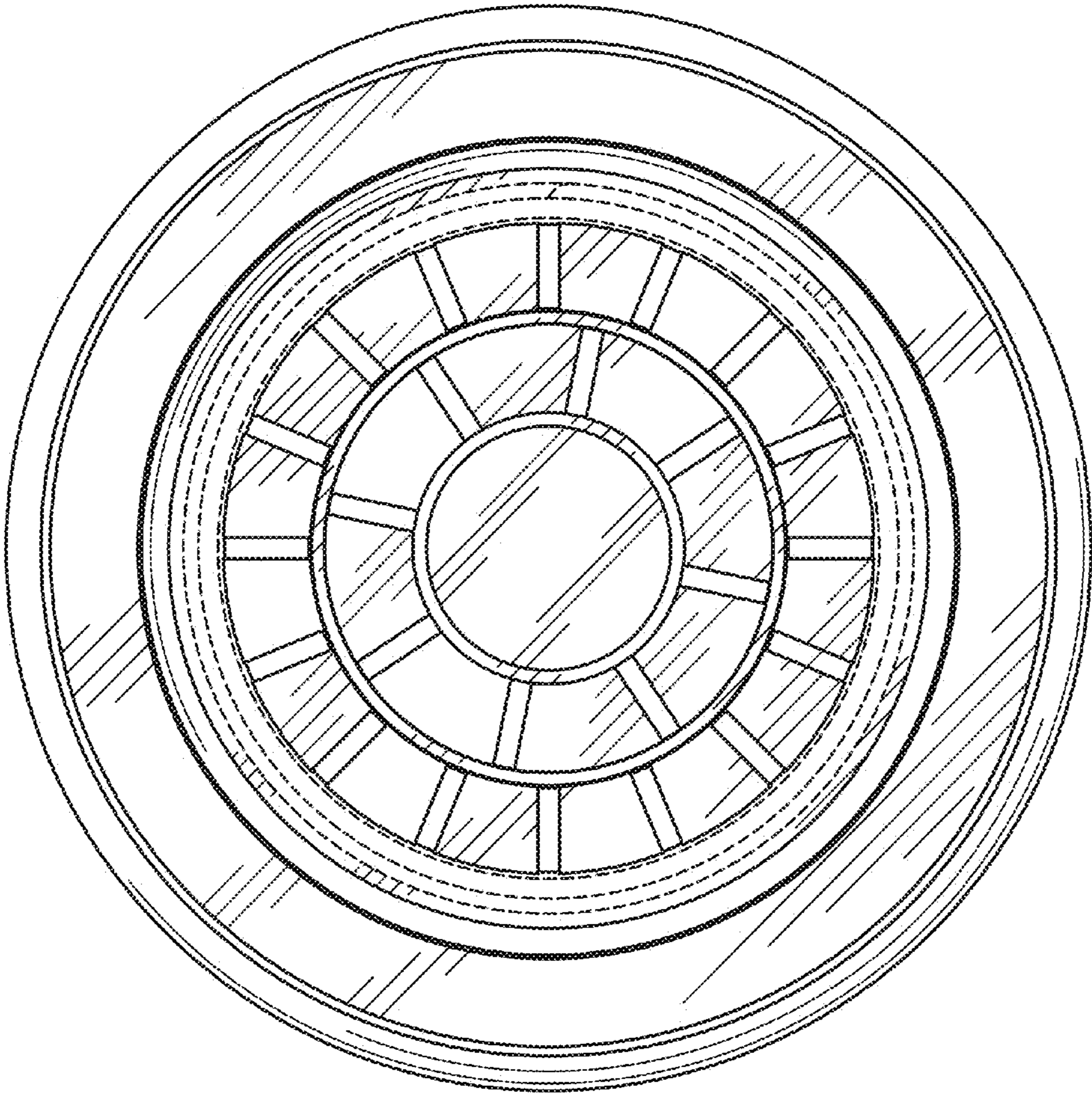


FIG. 4

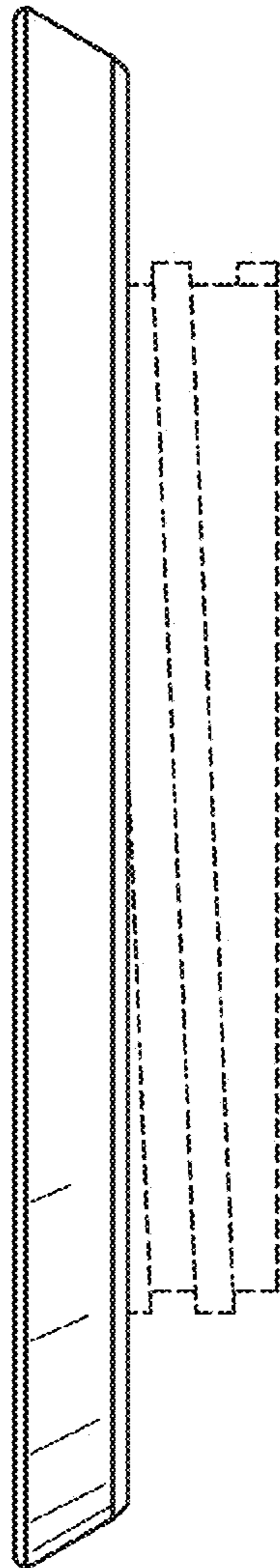


FIG. 5

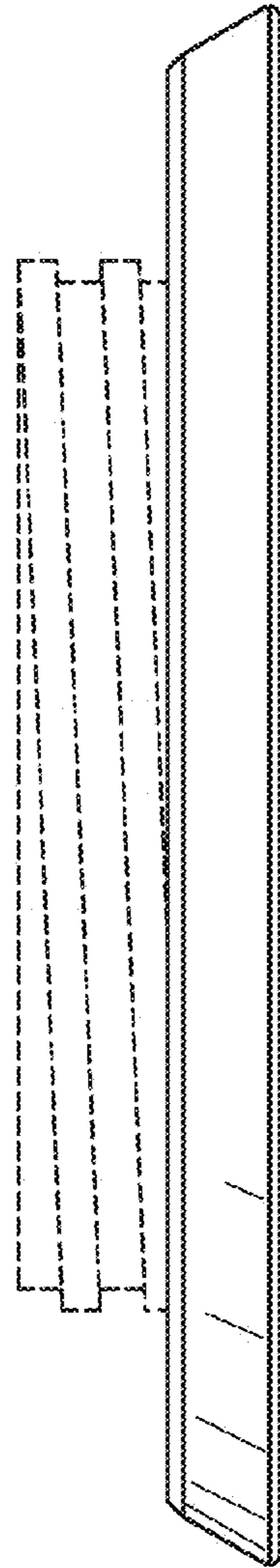


FIG. 6

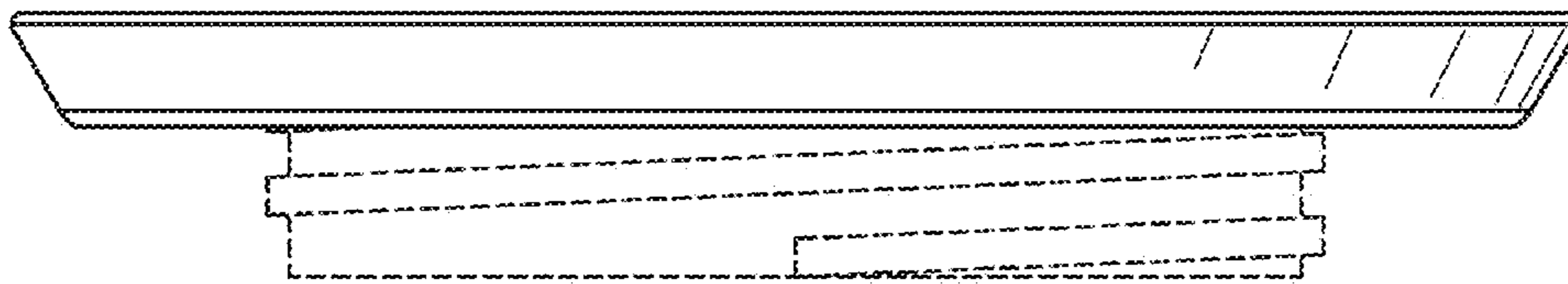


FIG. 7

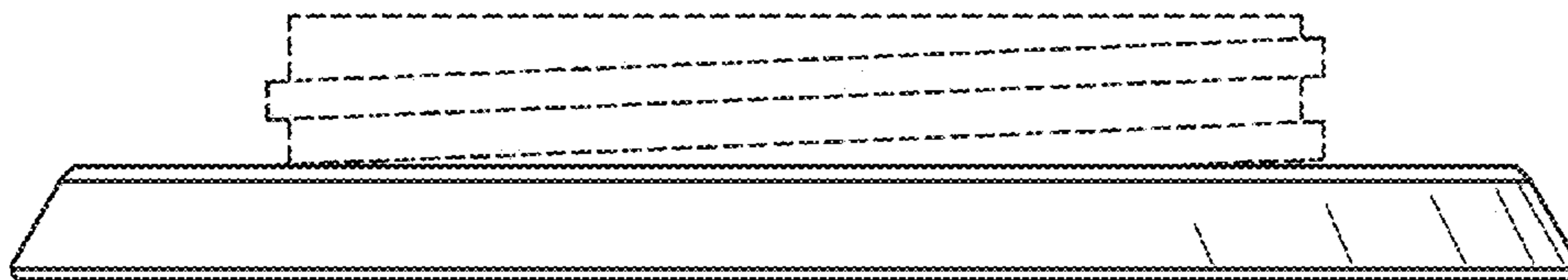


FIG. 8

UNITED STATES PATENT AND TRADEMARK OFFICE  
**CERTIFICATE OF CORRECTION**

PATENT NO. : D730,731 S  
APPLICATION NO. : 29/490123  
DATED : June 2, 2015  
INVENTOR(S) : Wilbur Carl Bewley, Jr. et al.

Page 1 of 1

It is certified that error appears in the above-identified patent and that said Letters Patent is hereby corrected as shown below:

Title Page, under DESCRIPTION

In the drawings, the dashed lines to depict environmental structure and form no part of the claimed design.

After "...the dashed lines..." please delete "to"

Signed and Sealed this  
Thirteenth Day of September, 2016



Michelle K. Lee  
*Director of the United States Patent and Trademark Office*