



US00D730730S

(12) **United States Design Patent**
Haley et al.

(10) **Patent No.:** **US D730,730 S**
(45) **Date of Patent:** **** Jun. 2, 2015**

- (54) **REUSABLE BOTTLE STOPPER**
- (71) Applicant: **Vinum Corporation**, Oak Brook, IL (US)
- (72) Inventors: **Jean E. Haley**, Oak Brook, IL (US);
James E. Haley, Oak Brook, IL (US)
- (73) Assignee: **Vinum Corporation**, Oak Brook, IL (US)

- 3,330,450 A 7/1967 Clare
- 3,628,697 A 12/1971 Dowson
- D223,900 S 6/1972 Douglas et al.
- 3,762,612 A 10/1973 Miller
- 3,926,348 A 12/1975 Lutzker
- 4,078,700 A 3/1978 Hidding
- 4,128,189 A 12/1978 Baxter
- 4,243,157 A 1/1981 Rettberg
- D261,212 S 10/1981 Mills

(Continued)

Primary Examiner — Susan Bennett Hattan

Assistant Examiner — Leanne Was

(74) *Attorney, Agent, or Firm* — Hinshaw & Culbertson LLP

(**) Term: **14 Years**

(21) Appl. No.: **29/443,525**

(22) Filed: **Jan. 18, 2013**

(51) **LOC (10) Cl.** **09-07**

(52) **U.S. Cl.**
USPC **D9/440**

(58) **Field of Classification Search**
USPC D3/264; D7/300, 321, 392, 392.1,
D7/396.2, 398, 510, 608; D9/428, 434,
D9/435, 438, 439, 440, 442, 443, 446, 447,
D9/449, 453, 454; 210/472, 474; 215/235,
215/236, 294, 296, 306, 355, 357;
220/254.1–254.9, 258.2, 259.2, 270,
220/375, 376, 543, 563, 565, 571, 711, 712,
220/713, 715, 837; 222/484, 556
See application file for complete search history.

(56) **References Cited**

U.S. PATENT DOCUMENTS

- 1,087,758 A 2/1914 Goodwin
- 1,164,453 A 12/1915 Belles
- 2,812,113 A 11/1957 Beall, Jr.
- 2,872,060 A 2/1959 Brune et al.
- 2,915,223 A 12/1959 Beall, Jr.
- 2,968,423 A 1/1961 Mahler et al.
- 3,081,912 A 3/1963 Goceliak
- 3,168,221 A 2/1965 Parker
- 3,283,964 A 11/1966 Anderson
- 3,307,752 A 3/1967 Anderson
- 3,323,691 A 6/1967 Ruetz

(57) **CLAIM**

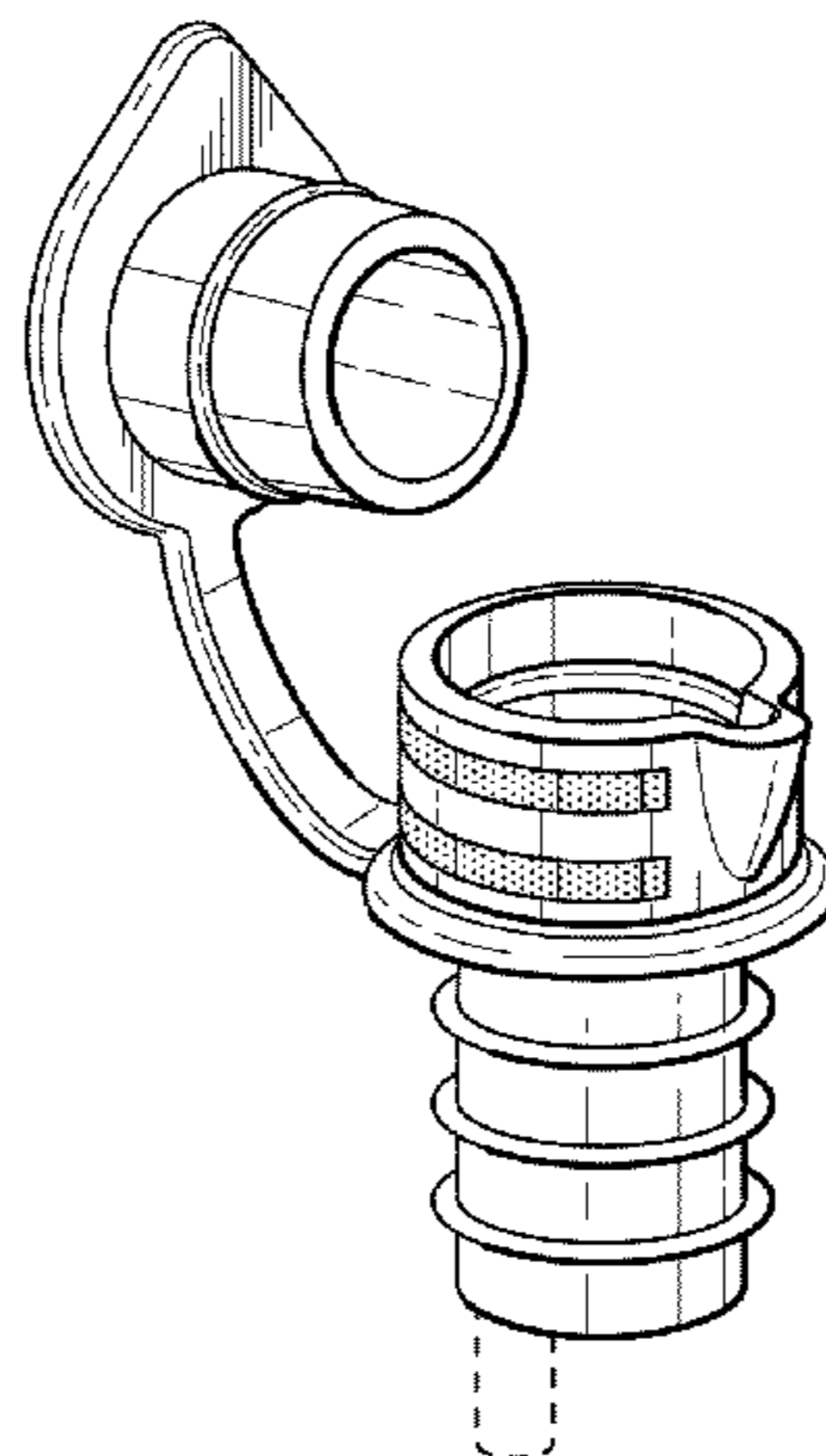
The ornamental design for a reusable bottle stopper, as shown and described.

DESCRIPTION

FIG. 1 is a front perspective view of a reusable bottle stopper showing my new design in the opened position;
 FIG. 2 is a right side elevation view thereof;
 FIG. 3 is a left side elevation view thereof;
 FIG. 4 is a front elevation view thereof;
 FIG. 5 is a rear elevation view thereof;
 FIG. 6 is a top plan view thereof;
 FIG. 7 is a bottom plan view thereof;
 FIG. 8 is a front perspective view thereof showing the reusable bottle stopper in the closed position;
 FIG. 9 is a right side elevation view thereof;
 FIG. 10 is a left side elevation view thereof;
 FIG. 11 is a front elevation view thereof;
 FIG. 12 is a rear elevation view thereof;
 FIG. 13 is a top plan view thereof; and,
 FIG. 14 is a bottom plan view thereof.

The broken lines in the drawings illustrate portions of the bottle stopper that form no part of the claimed design. The lines on the surface of the bottle stopper indicate contour and not surface decoration. The areas shaded with dots in the drawings depict contrasting appearance.

1 Claim, 4 Drawing Sheets



(56)

References Cited

U.S. PATENT DOCUMENTS

| | | | | | | |
|-------------|---------|--------------------|-------------------|---------|---------------------|-----------|
| 4,345,704 A | 8/1982 | Boughton | 5,799,836 A | 9/1998 | Lee | |
| 4,347,946 A | 9/1982 | Nichols | D404,464 S | 1/1999 | Niemczyk | |
| 4,398,652 A | 8/1983 | Ueda et al. | D404,646 S | 1/1999 | Black, Sr. et al. | |
| 4,605,225 A | 8/1986 | Zimmermann | D418,417 S | 1/2000 | Hollinger | |
| 4,637,530 A | 1/1987 | Jiang | D437,782 S * | 2/2001 | Haley et al. | D9/440 |
| D296,524 S | 7/1988 | Schneider | D464,262 S | 10/2002 | Drennow | |
| D318,427 S | 7/1991 | Sherburne, Jr. | D466,016 S | 11/2002 | Serrano et al. | |
| 5,228,603 A | 7/1993 | Pham et al. | 6,565,743 B1 | 5/2003 | Poirier et al. | |
| 5,417,860 A | 5/1995 | Kay | D487,227 S * | 3/2004 | Haley | D9/439 |
| 5,609,759 A | 3/1997 | Nohren, Jr. et al. | D643,722 S * | 8/2011 | Gorskey et al. | D9/446 |
| 5,616,242 A | 4/1997 | Mandola | 8,123,086 B2 * | 2/2012 | Haley | 222/484 |
| 5,688,397 A | 11/1997 | Malmborg | 8,298,174 B2 * | 10/2012 | Showers | 604/77 |
| | | | D678,767 S * | 3/2013 | Haley | D9/440 |
| | | | 2005/0184026 A1 * | 8/2005 | Haley | 215/306 |
| | | | 2008/0116204 A1 * | 5/2008 | Ohse | 220/254.6 |

* cited by examiner

Fig. 1

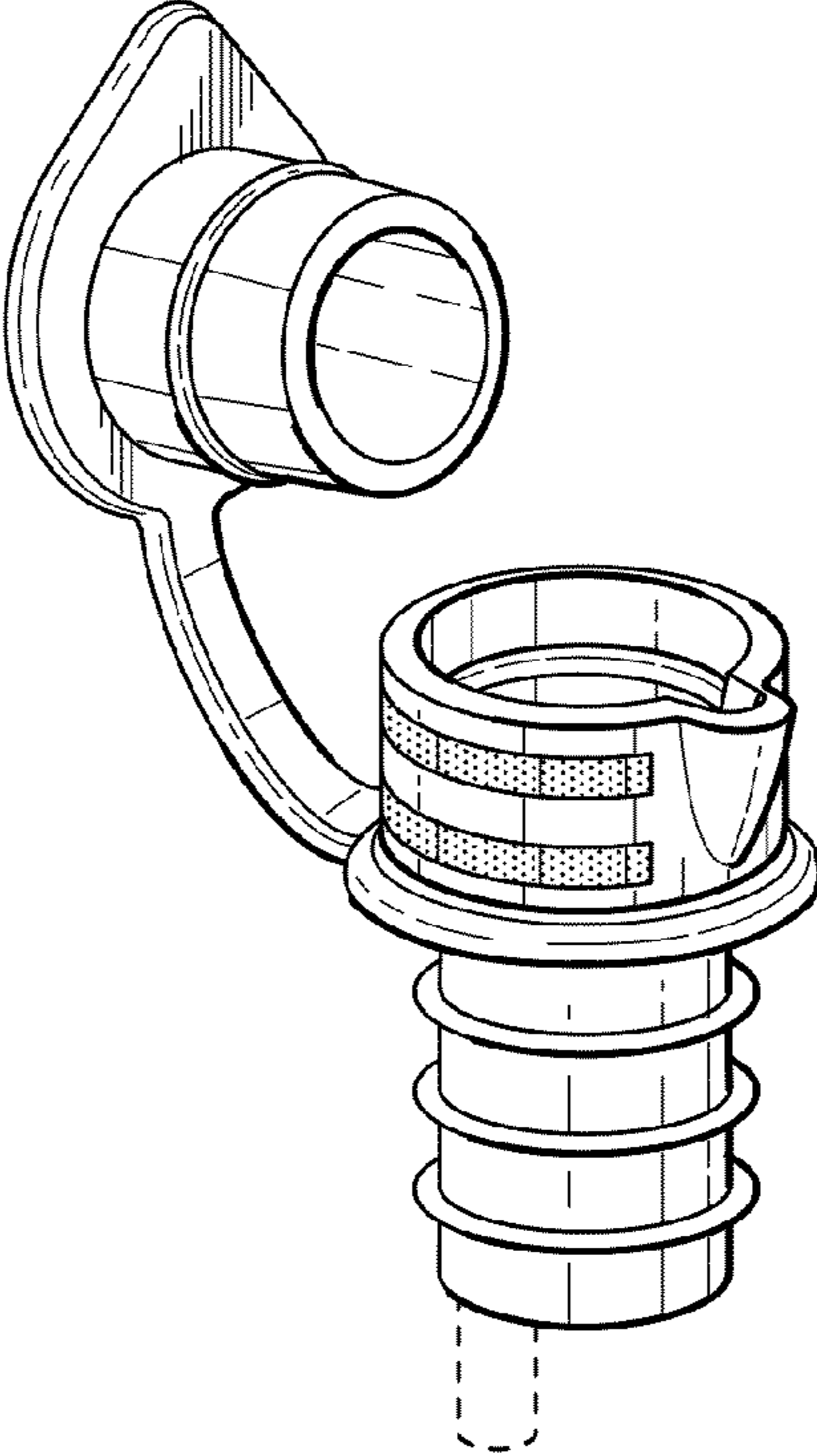


Fig. 2

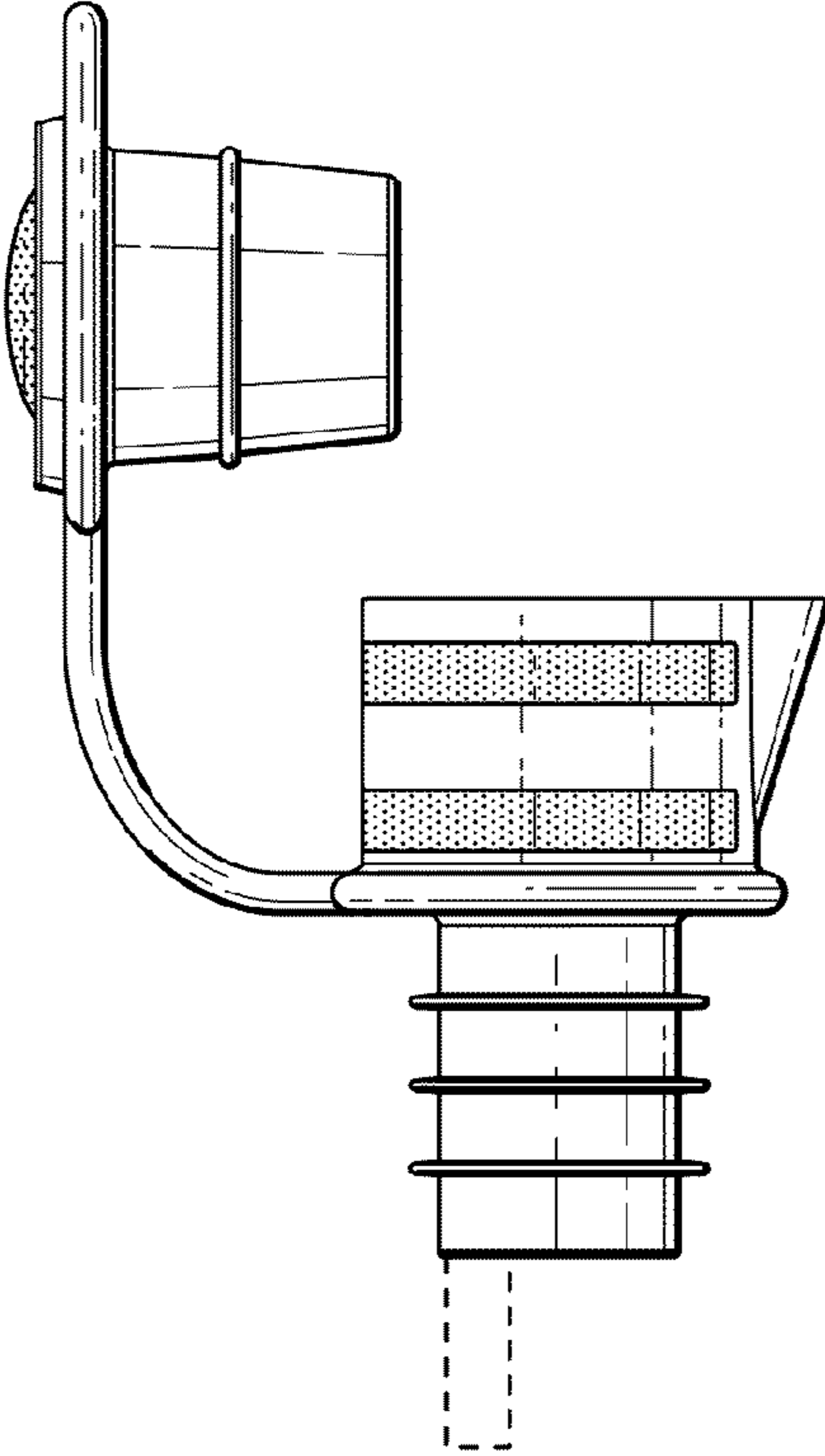


Fig. 3

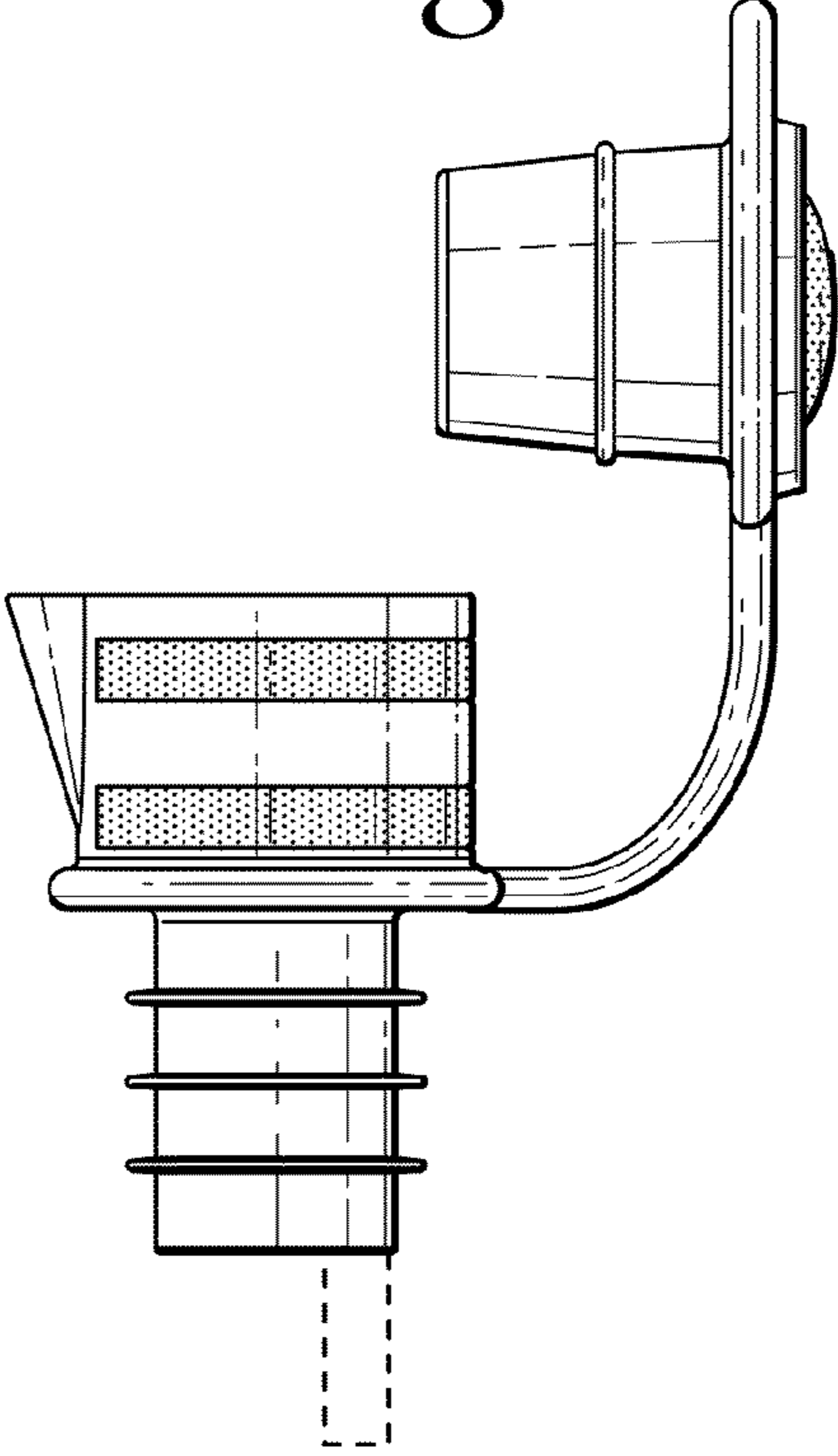


Fig. 4

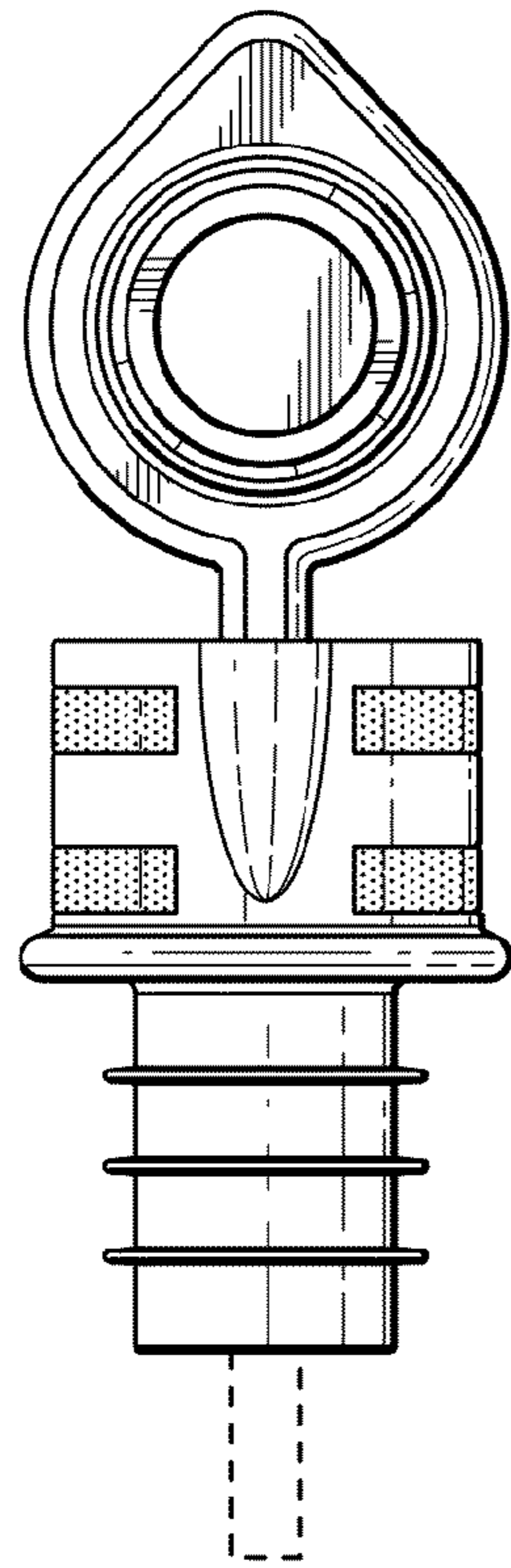


Fig. 5

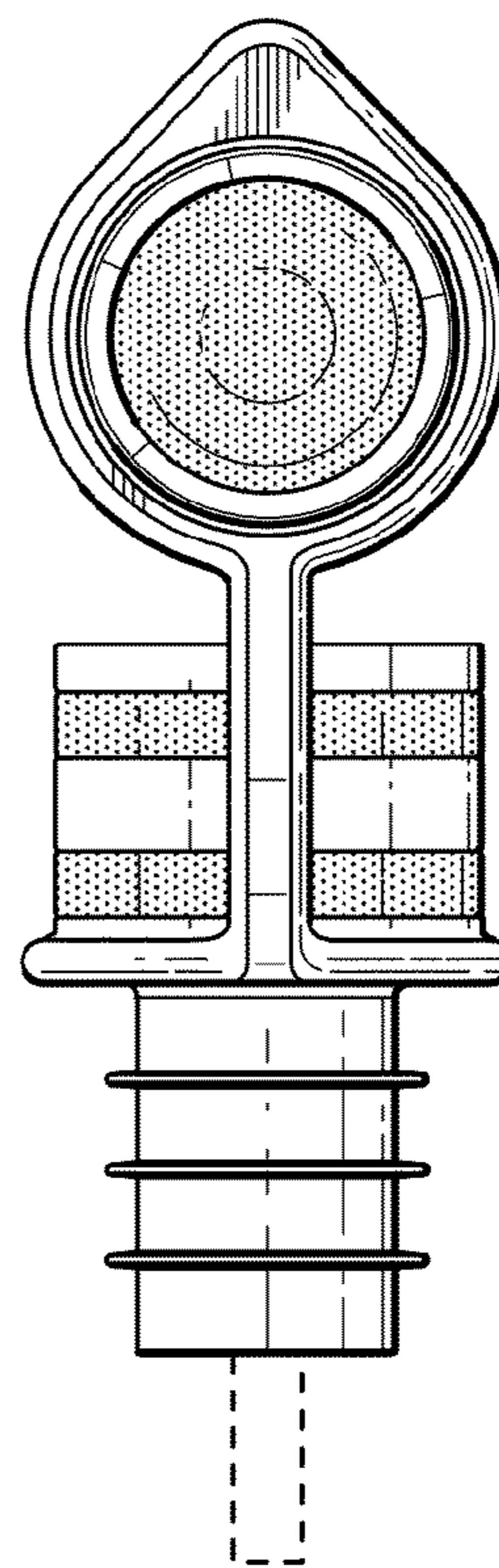


Fig. 6

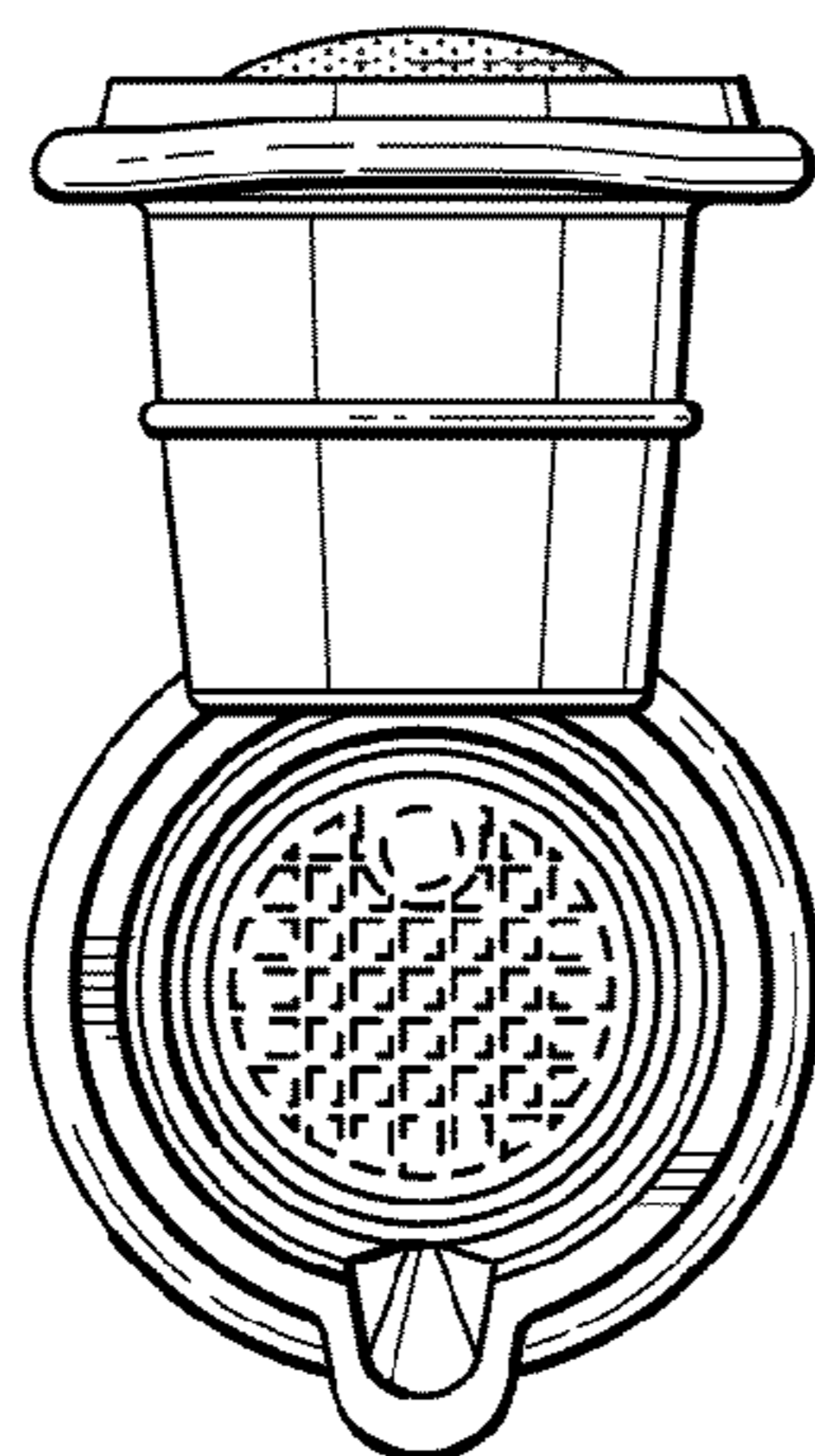


Fig. 7

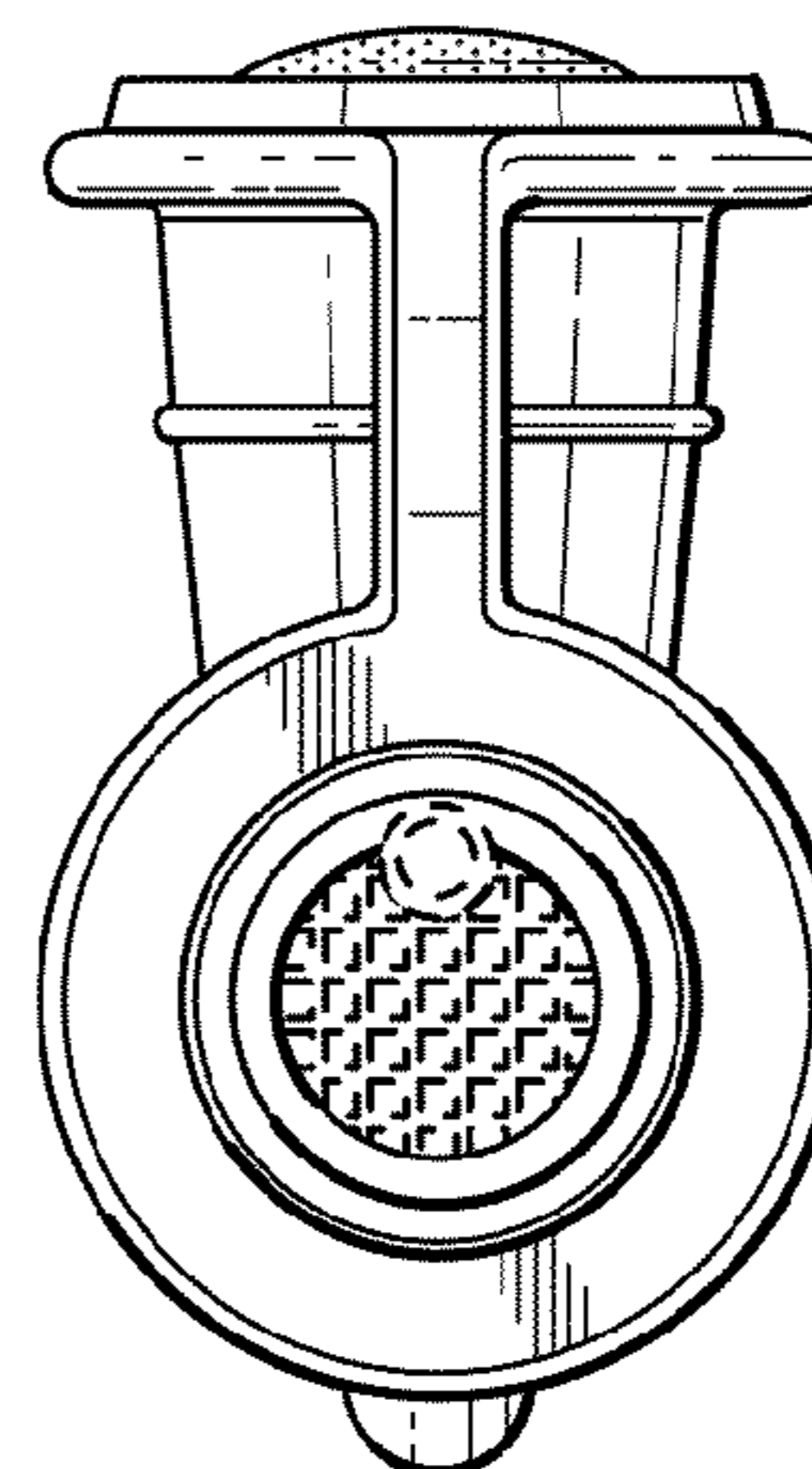


Fig. 8

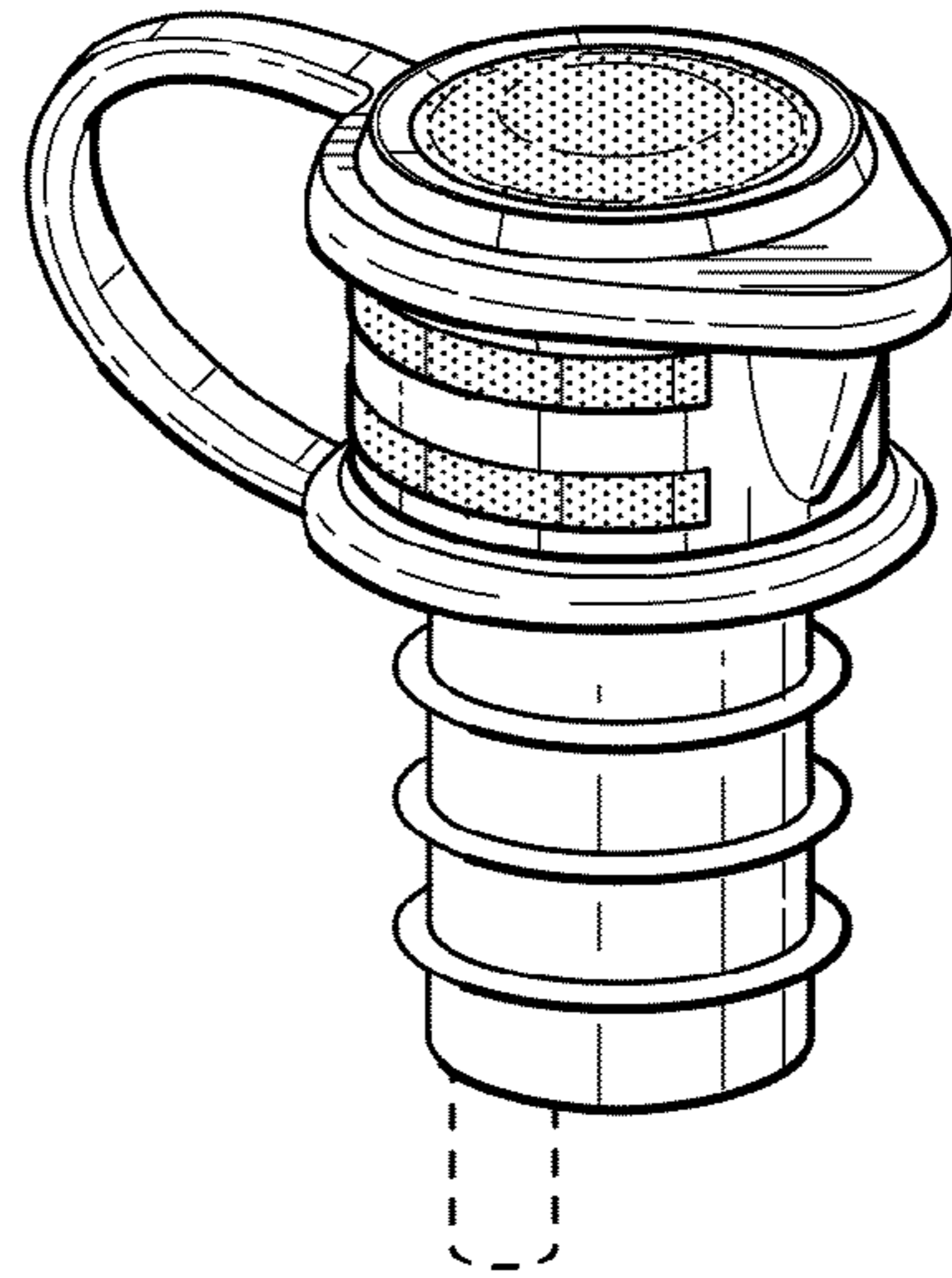


Fig. 9

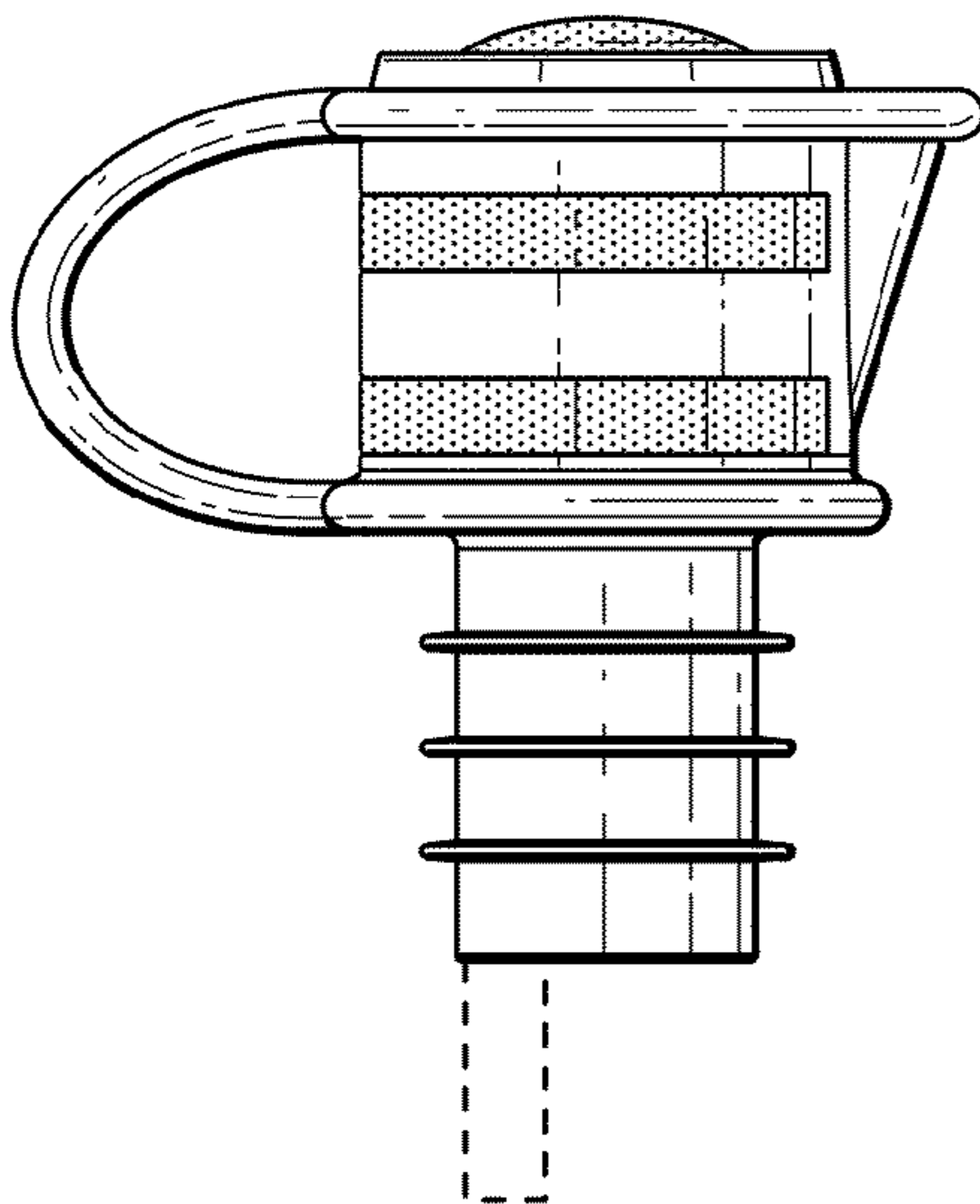


Fig. 10

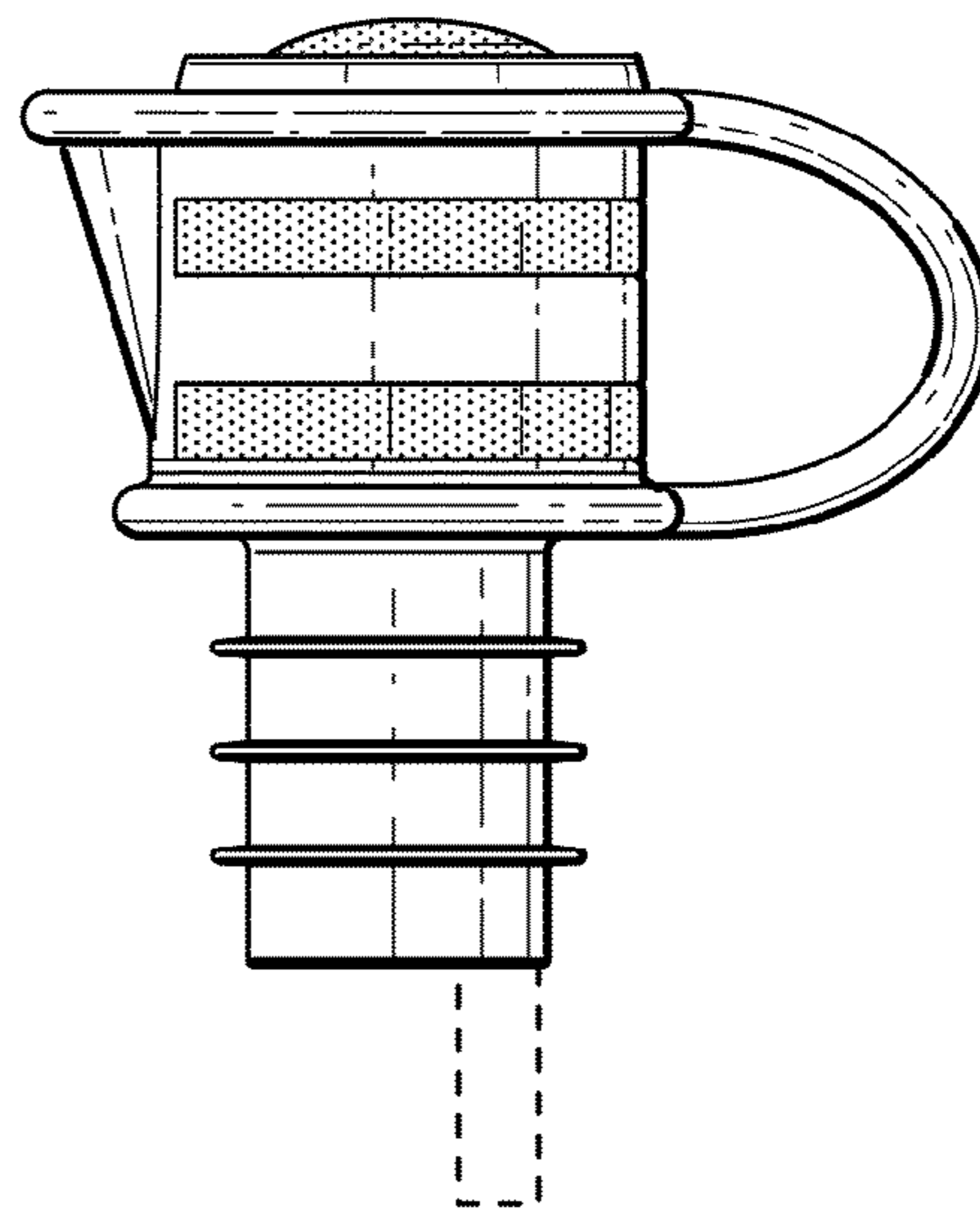


Fig. 11

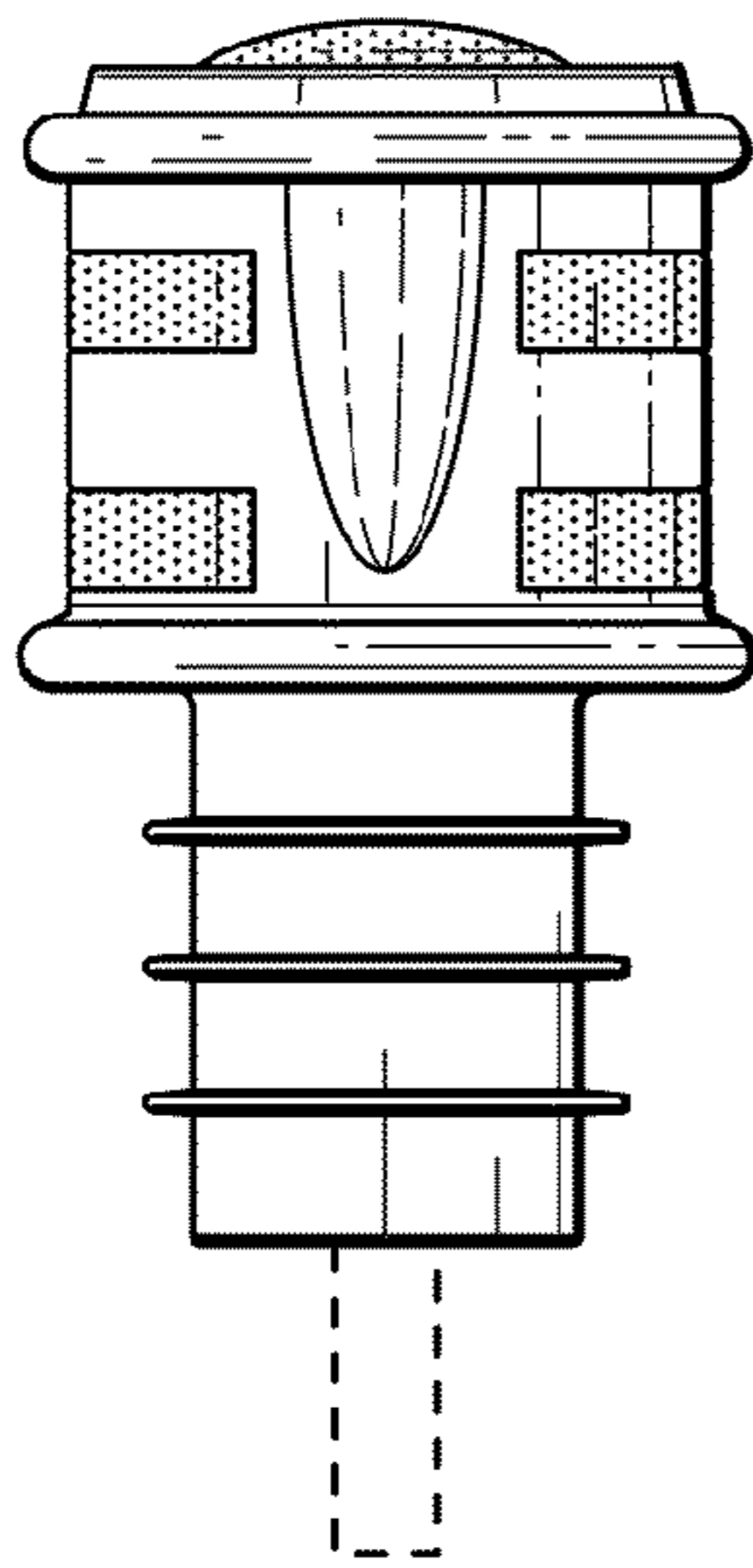


Fig. 12

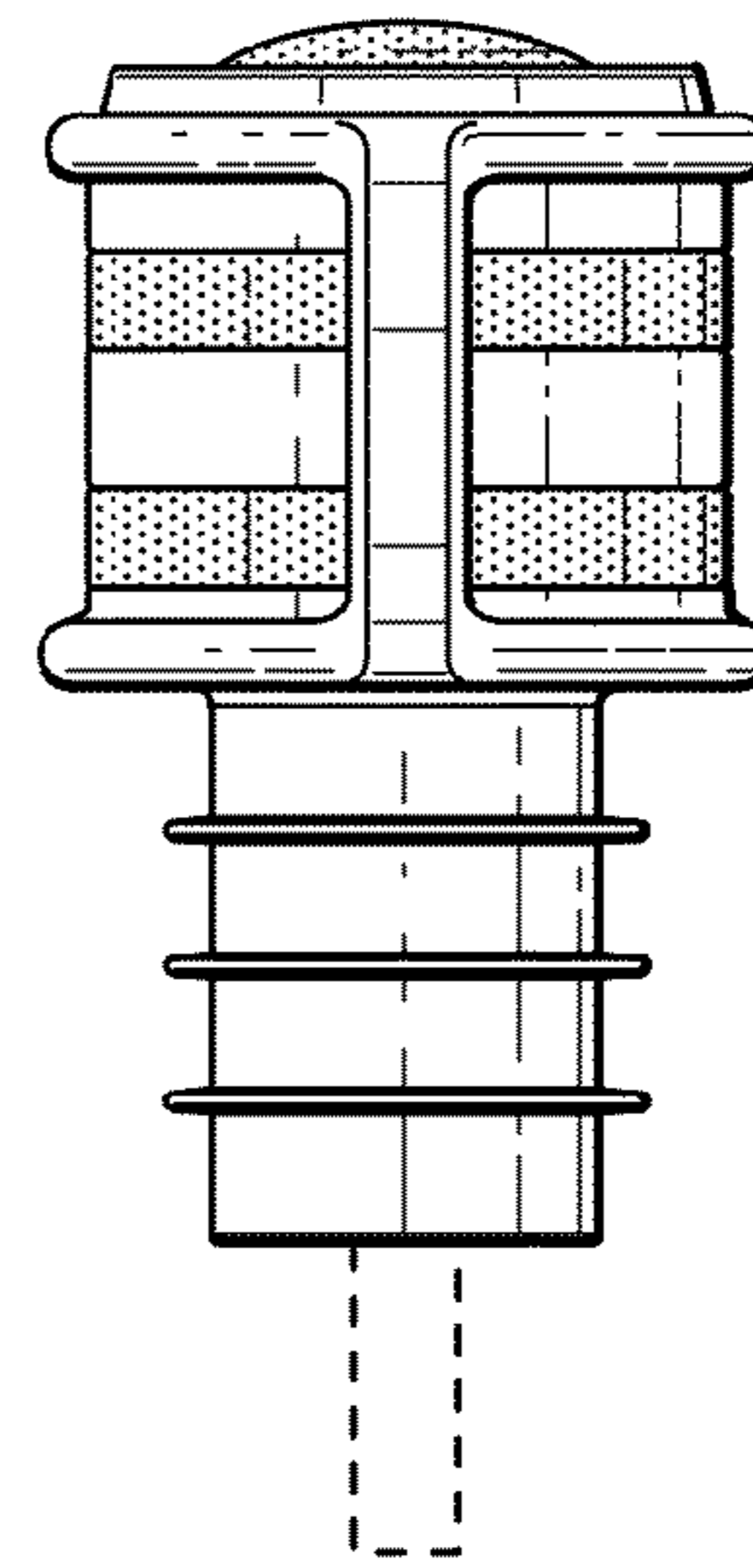


Fig. 13

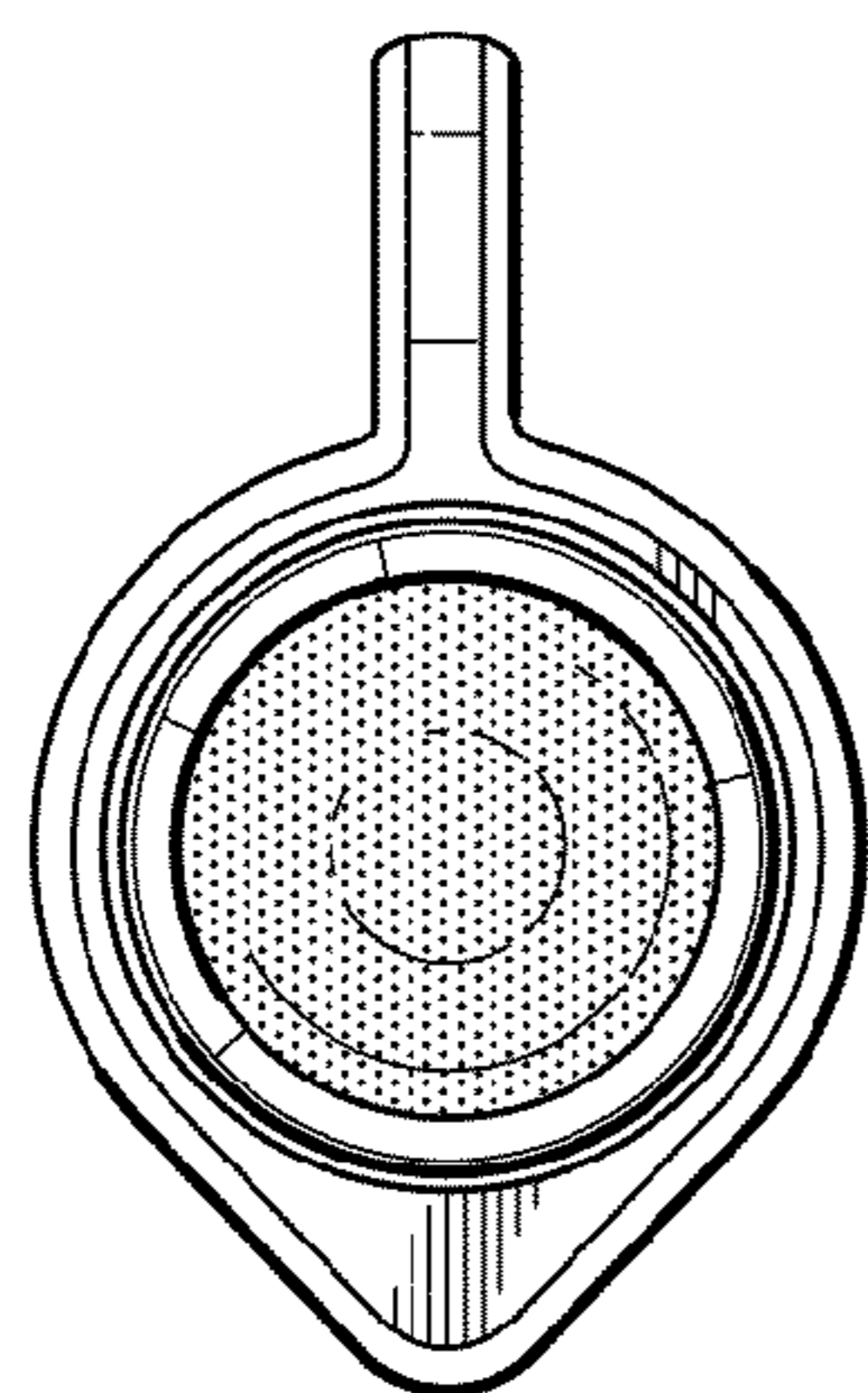


Fig. 14

