

US00D730729S

(12) **United States Design Patent**  
**George**

(10) **Patent No.:** **US D730,729 S**  
(45) **Date of Patent:** **\*\* Jun. 2, 2015**

- (54) **BEVERAGE CONTAINER LID**
- (71) Applicant: **Pacific Market International, LLC**,  
Seattle, WA (US)
- (72) Inventor: **Sarah Danger George**, Vashon, WA  
(US)
- (73) Assignee: **Pacific Market International, LLC**,  
Seattle, WA (US)
- (\*\*) Term: **14 Years**
- (21) Appl. No.: **29/464,953**
- (22) Filed: **Aug. 22, 2013**
- (51) **LOC (10) Cl.** ..... **09-07**
- (52) **U.S. Cl.**  
USPC ..... **D9/435**
- (58) **Field of Classification Search**  
USPC ..... D7/300.1, 391, 510, 533, 536, 602,  
D7/629; D9/414, 422, 428, 434, 435, 436,  
D9/438, 439, 440, 454, 504, 529;  
D24/197, 199, 221, 224; 215/250, 252,  
215/254, 256, 335, 336; 220/214, 270, 288,  
220/574, 575, 780-806; 222/541.1, 541.5,  
222/541.6, 541.9  
See application file for complete search history.

- D652,682 S 1/2012 Eyal
- D655,134 S 3/2012 Gilbert
- D695,069 S 12/2013 Lane
- D695,138 S 12/2013 Ball
- D701,428 S 3/2014 Lapsker
- D703,052 S 4/2014 Park
- D709,734 S 7/2014 Kotani

**FOREIGN PATENT DOCUMENTS**

CN 300780684 5/2008

\* cited by examiner

*Primary Examiner* — Susan Bennett Hattan

*Assistant Examiner* — Leanne Was

(74) *Attorney, Agent, or Firm* — Davis Wright Tremaine  
LLP; George C. Rondeau, Jr.

(57) **CLAIM**

The ornamental design for a beverage container lid, as shown  
and described.

**DESCRIPTION**

FIG. 1 is a top left side perspective view of a beverage con-  
tainer lid showing my new design.

FIG. 2 is a front elevational view thereof.

FIG. 3 is a left side elevational view thereof.

FIG. 4 is a right side elevational view thereof.

FIG. 5 is a rear elevational view thereof.

FIG. 6 is a top plan view thereof.

FIG. 7 is a bottom plan view thereof.

FIG. 8 is a top left side perspective view of a second embodi-  
ment thereof.

FIG. 9 is a front elevational view thereof.

FIG. 10 is a left side elevational view thereof.

FIG. 11 is a right side elevational view thereof.

FIG. 12 is a rear elevational view thereof.

FIG. 13 is a top plan view thereof; and,

FIG. 14 is a bottom plan view thereof.

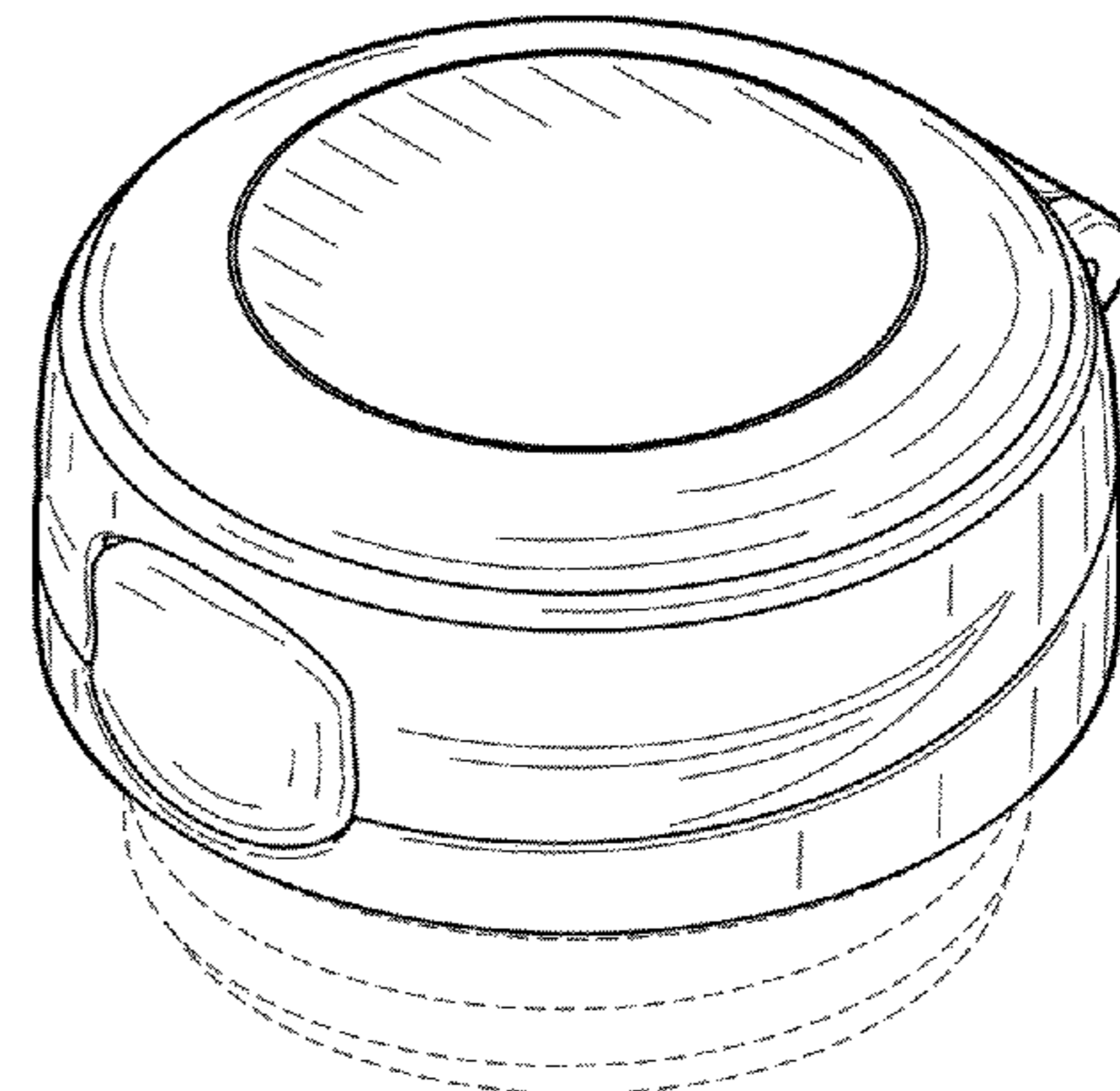
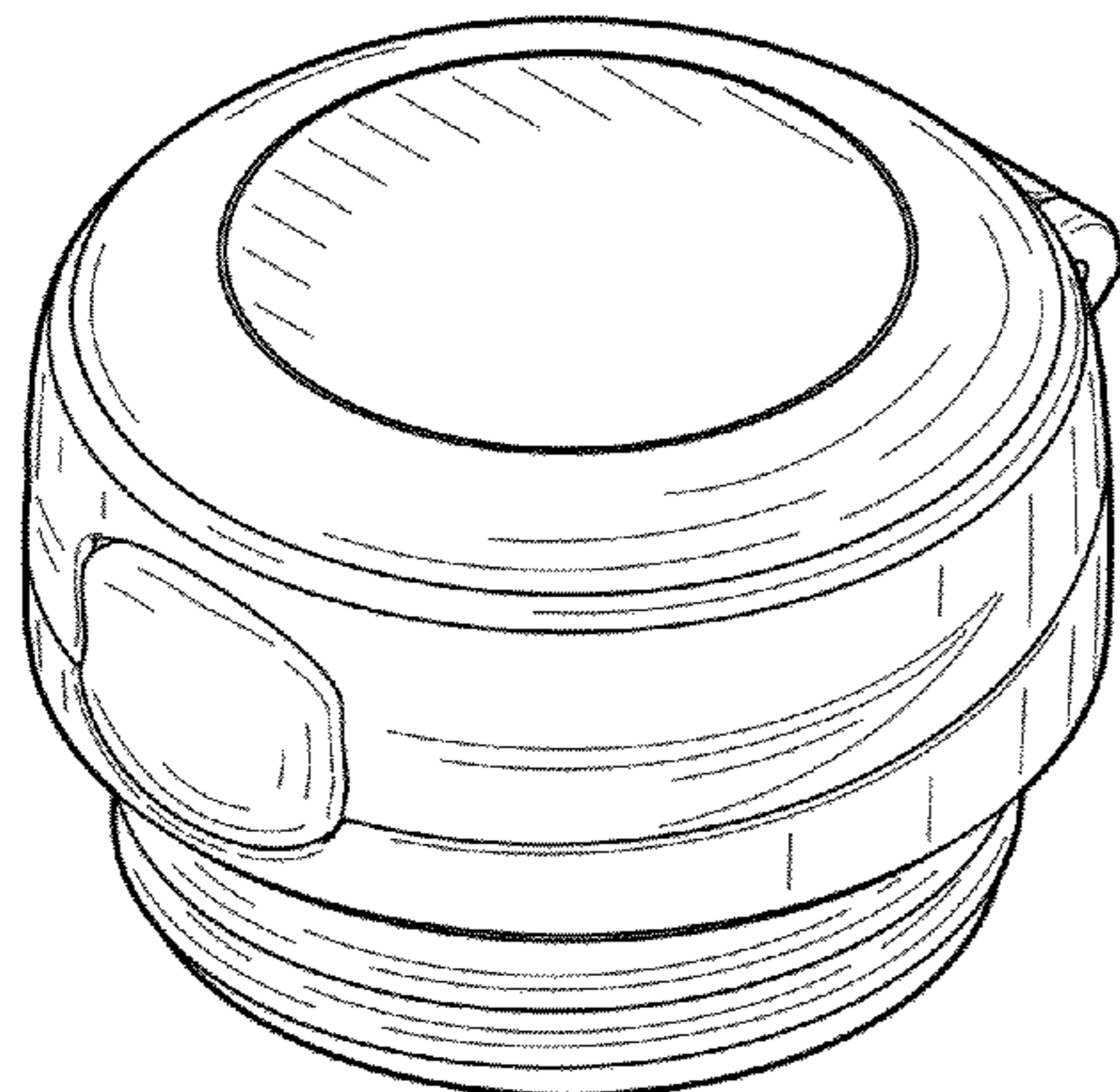
The broken lines represent portions of the beverage container  
lid that form no part of the claim.

**1 Claim, 8 Drawing Sheets**

(56) **References Cited**

**U.S. PATENT DOCUMENTS**

- D347,359 S \* 5/1994 Robbins, III ..... D7/512
- D379,714 S 6/1997 Cerny et al.
- D384,281 S \* 9/1997 Wong ..... D9/443
- D474,651 S 5/2003 Ward
- D547,652 S \* 7/2007 Kerman et al. .... D9/438
- D554,503 S \* 11/2007 Kerman et al. .... D9/438
- D554,993 S \* 11/2007 Kerman et al. .... D9/438
- D599,168 S 9/2009 Alviar et al.
- D623,906 S \* 9/2010 George ..... D7/629
- D627,604 S 11/2010 Eyal
- D639,166 S 6/2011 Carreno
- D639,660 S 6/2011 Carreno
- D649,055 S 11/2011 Fracasso



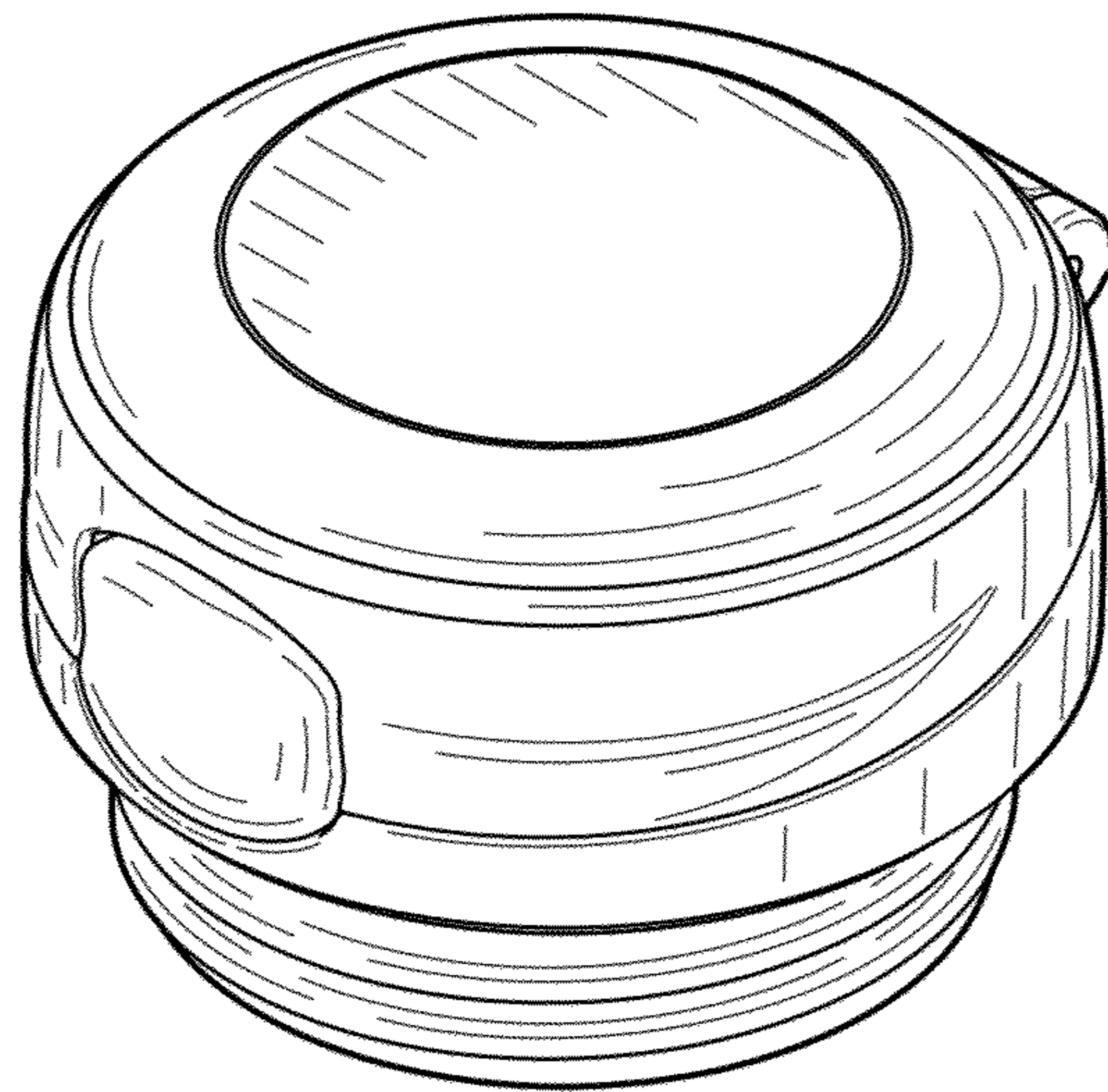


FIG.1

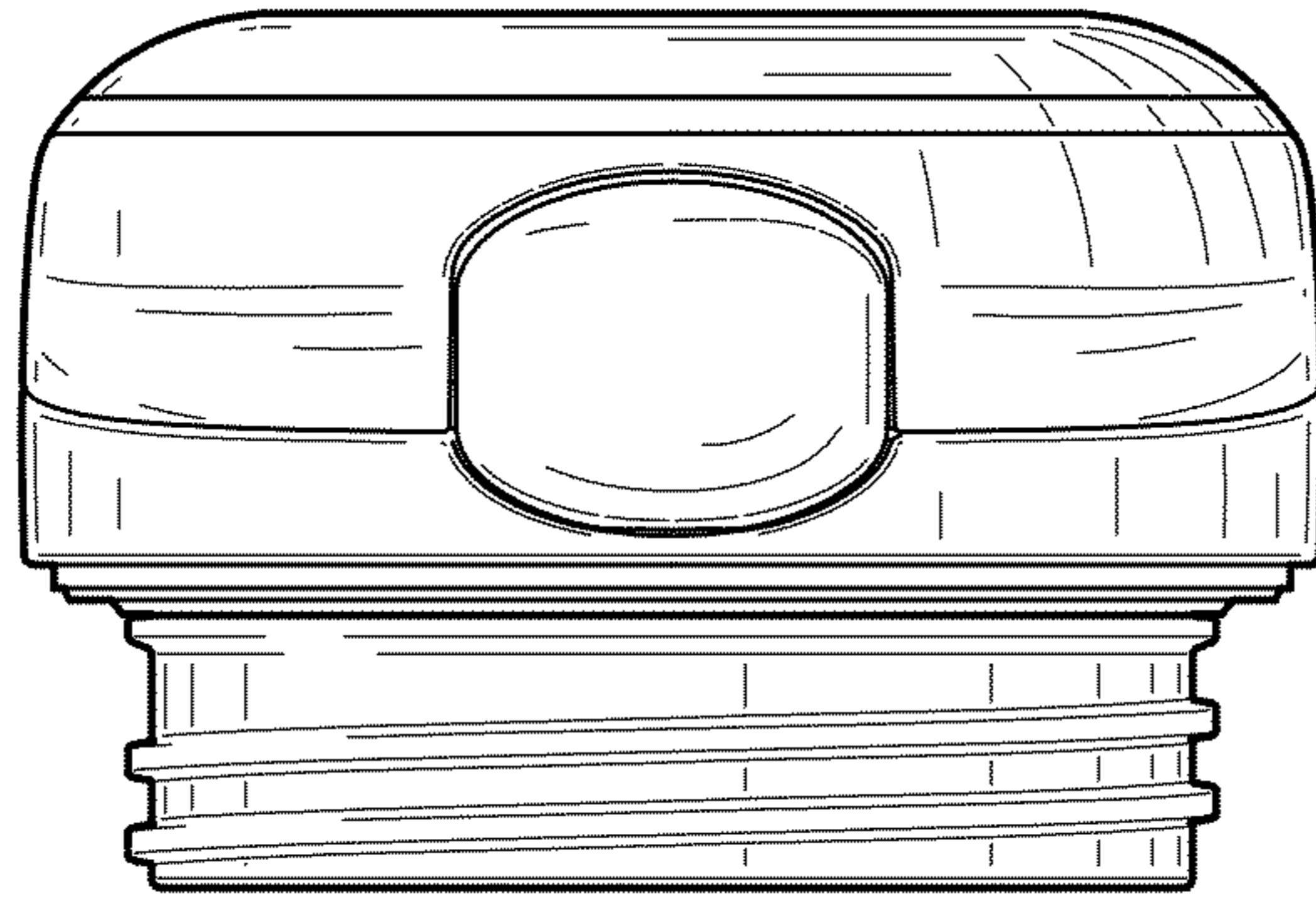


FIG. 2

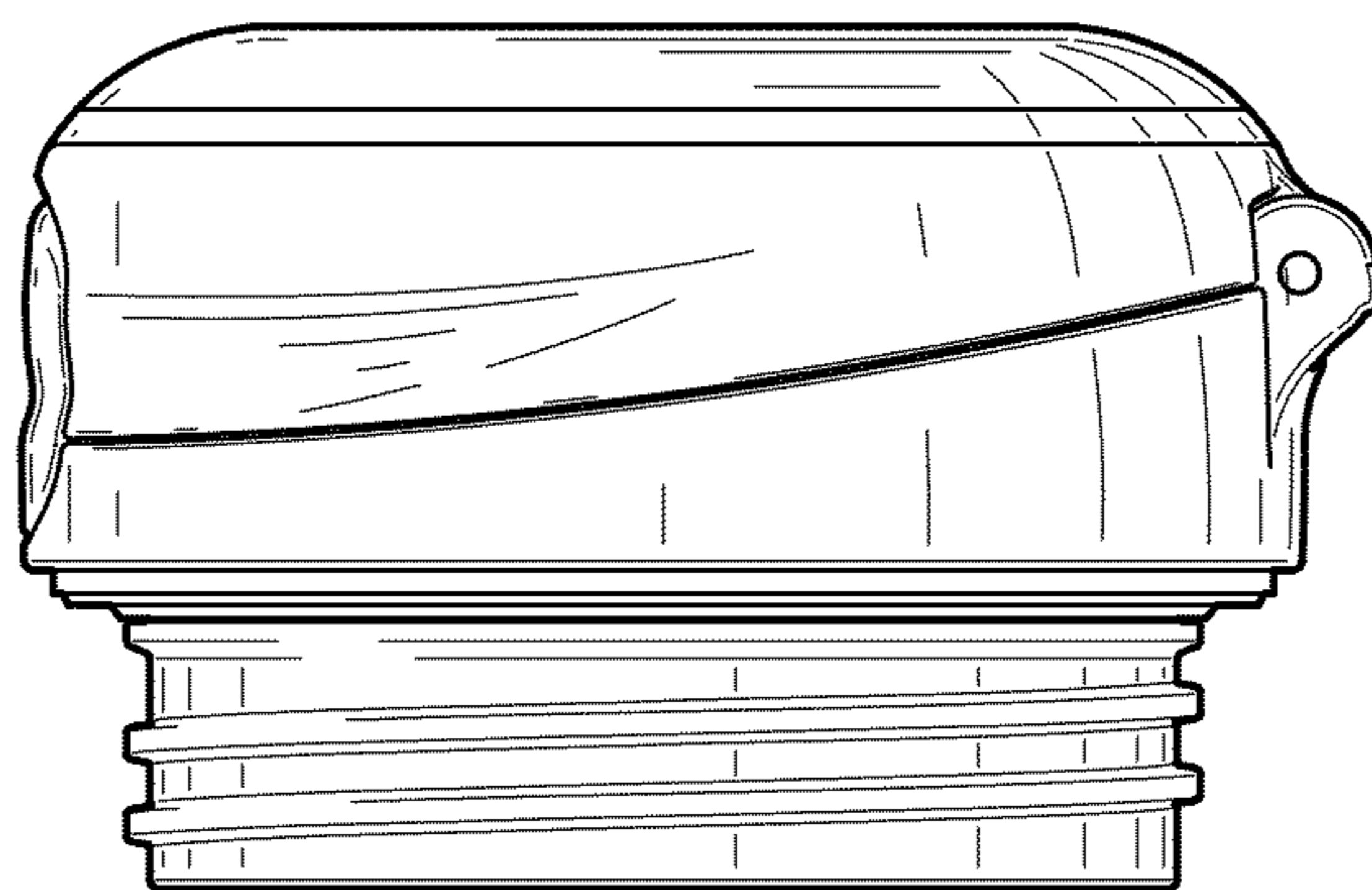


FIG. 3

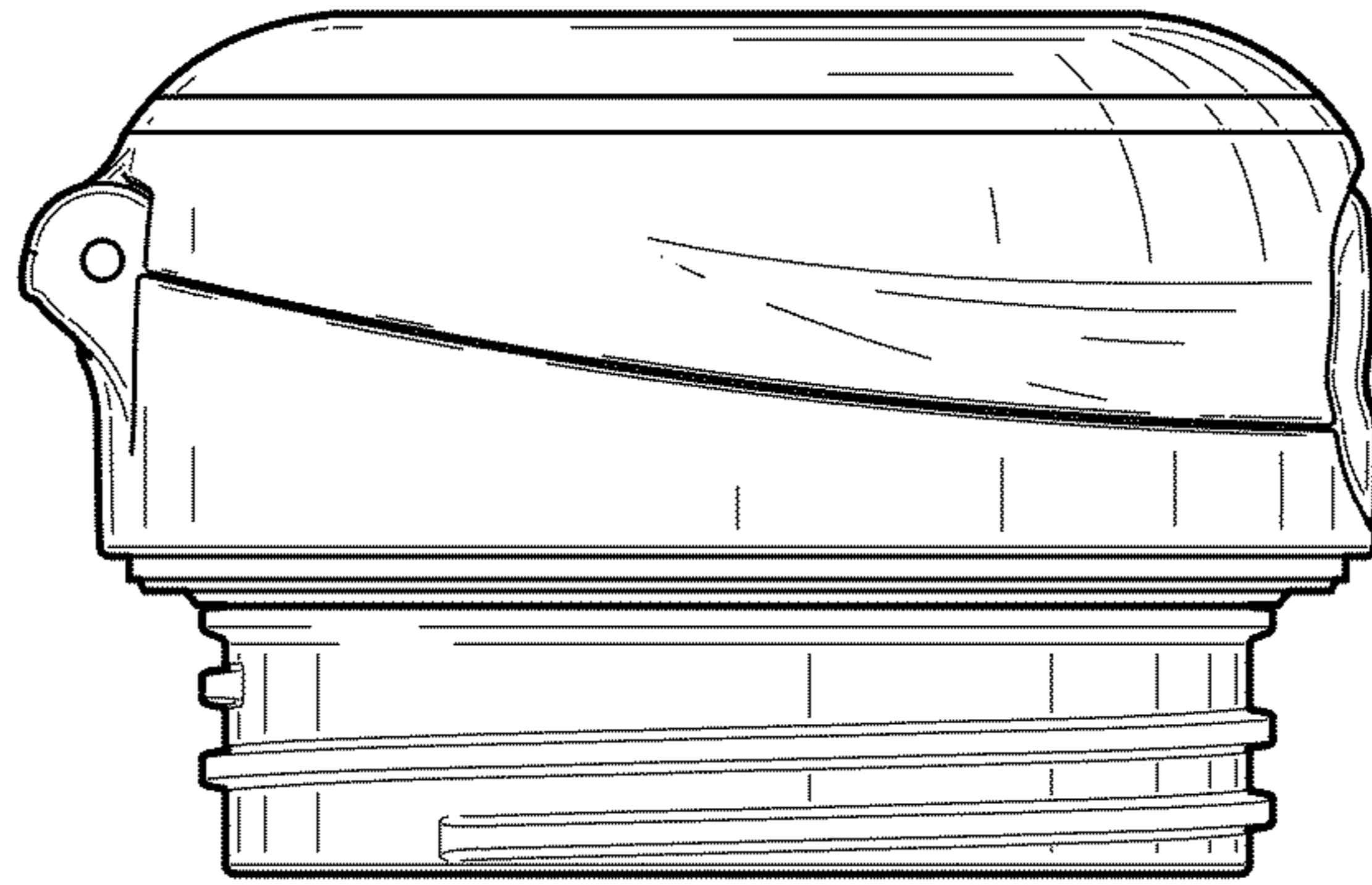


FIG. 4

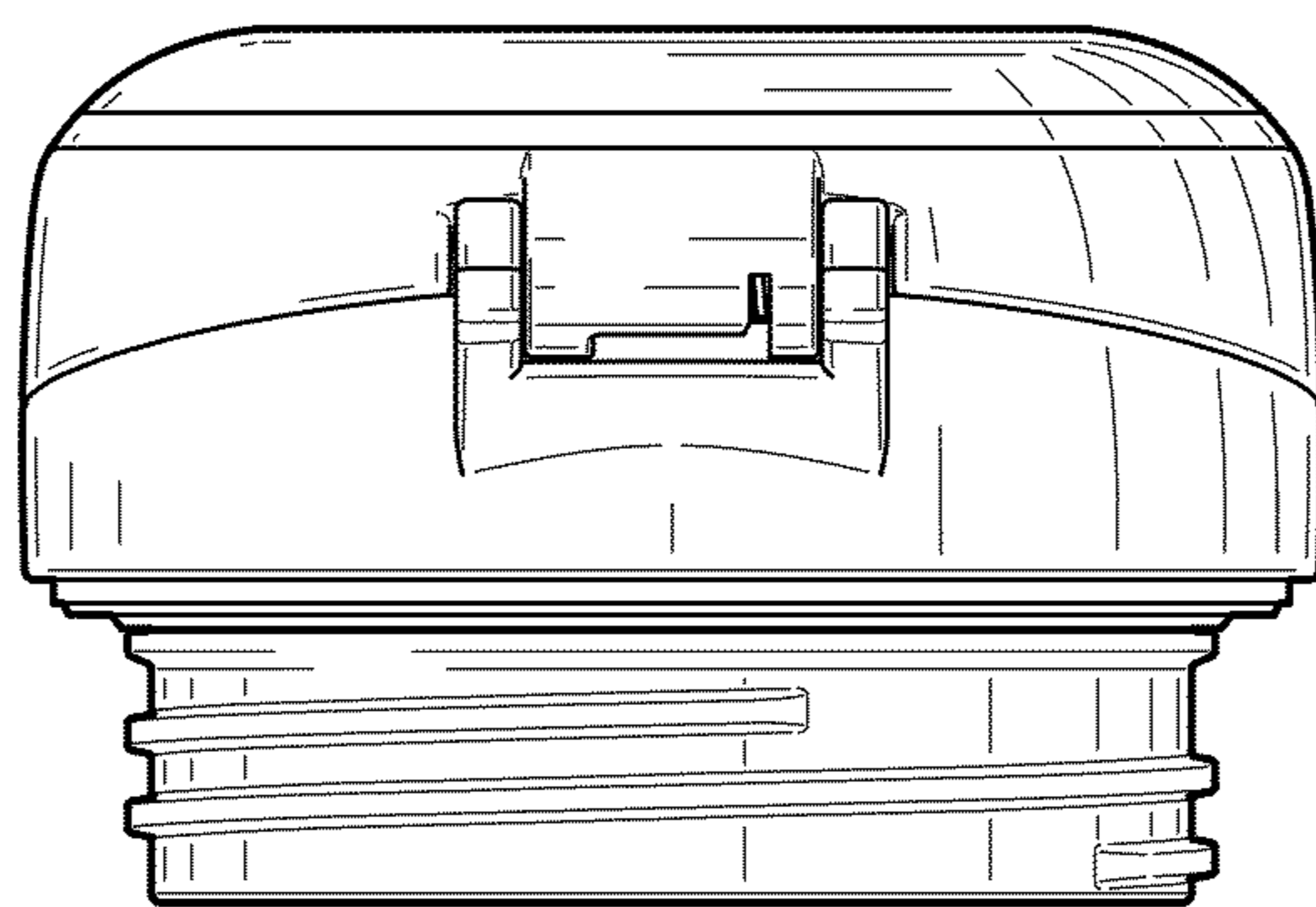


FIG. 5

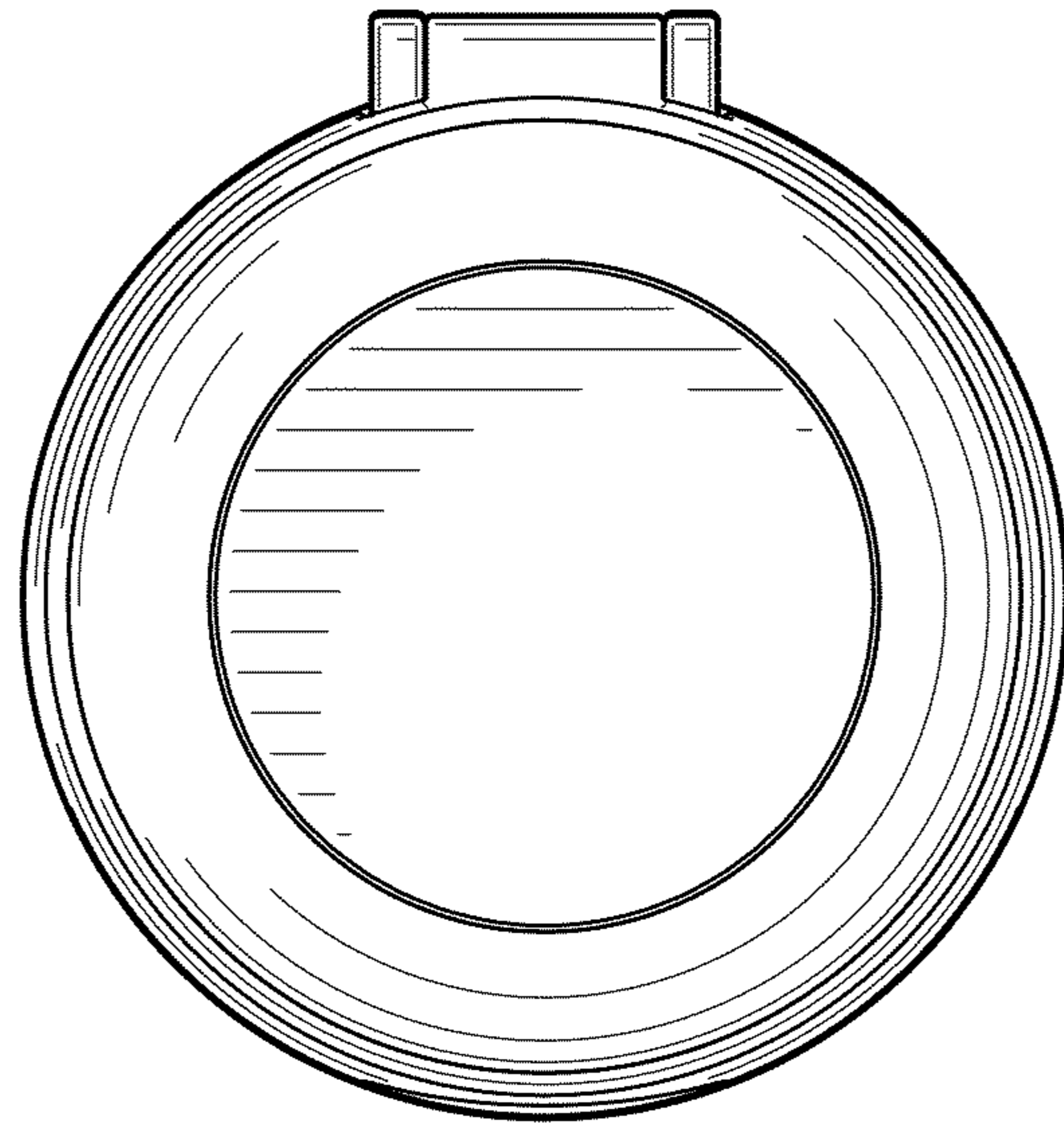


FIG. 6

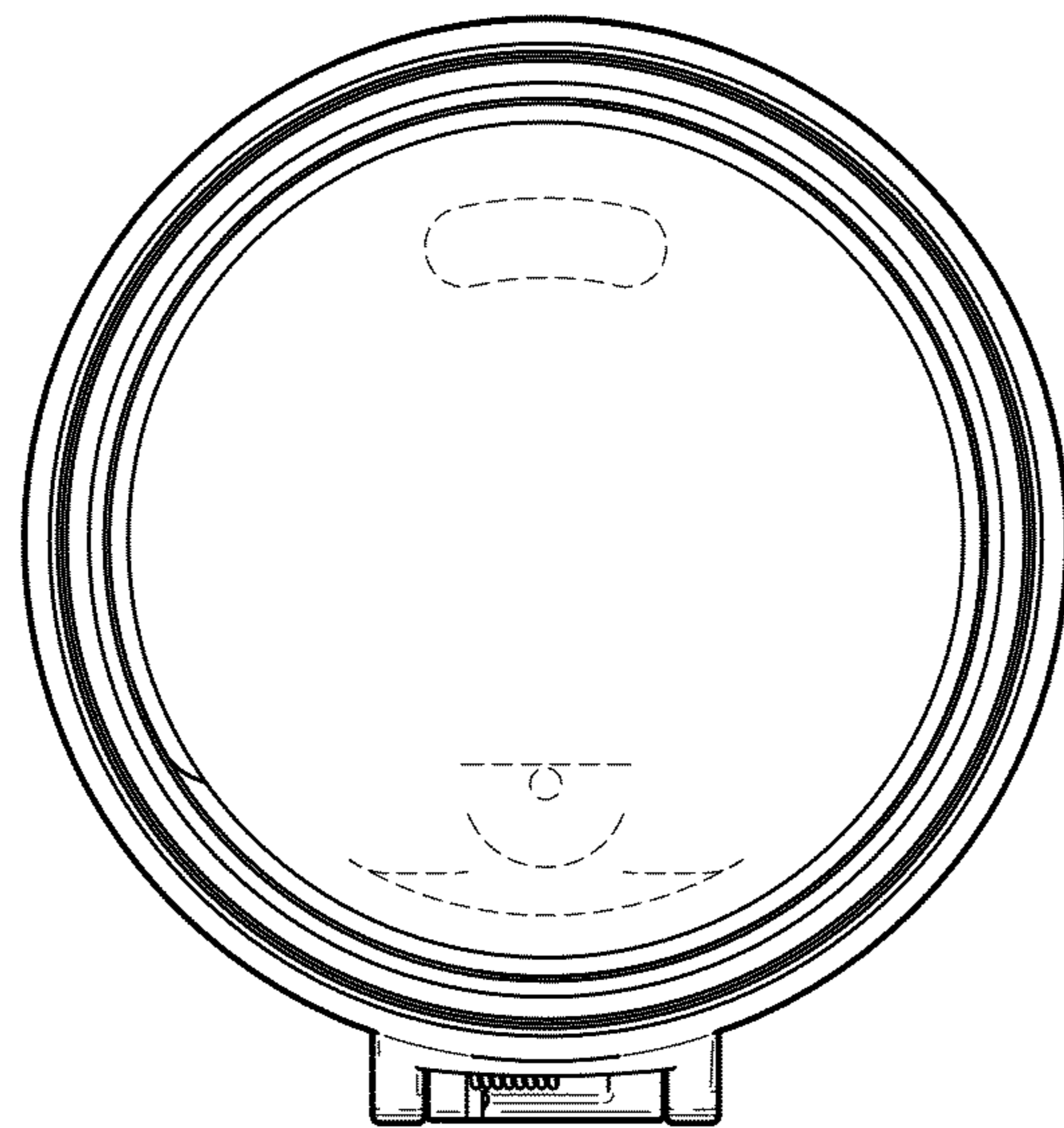


FIG. 7

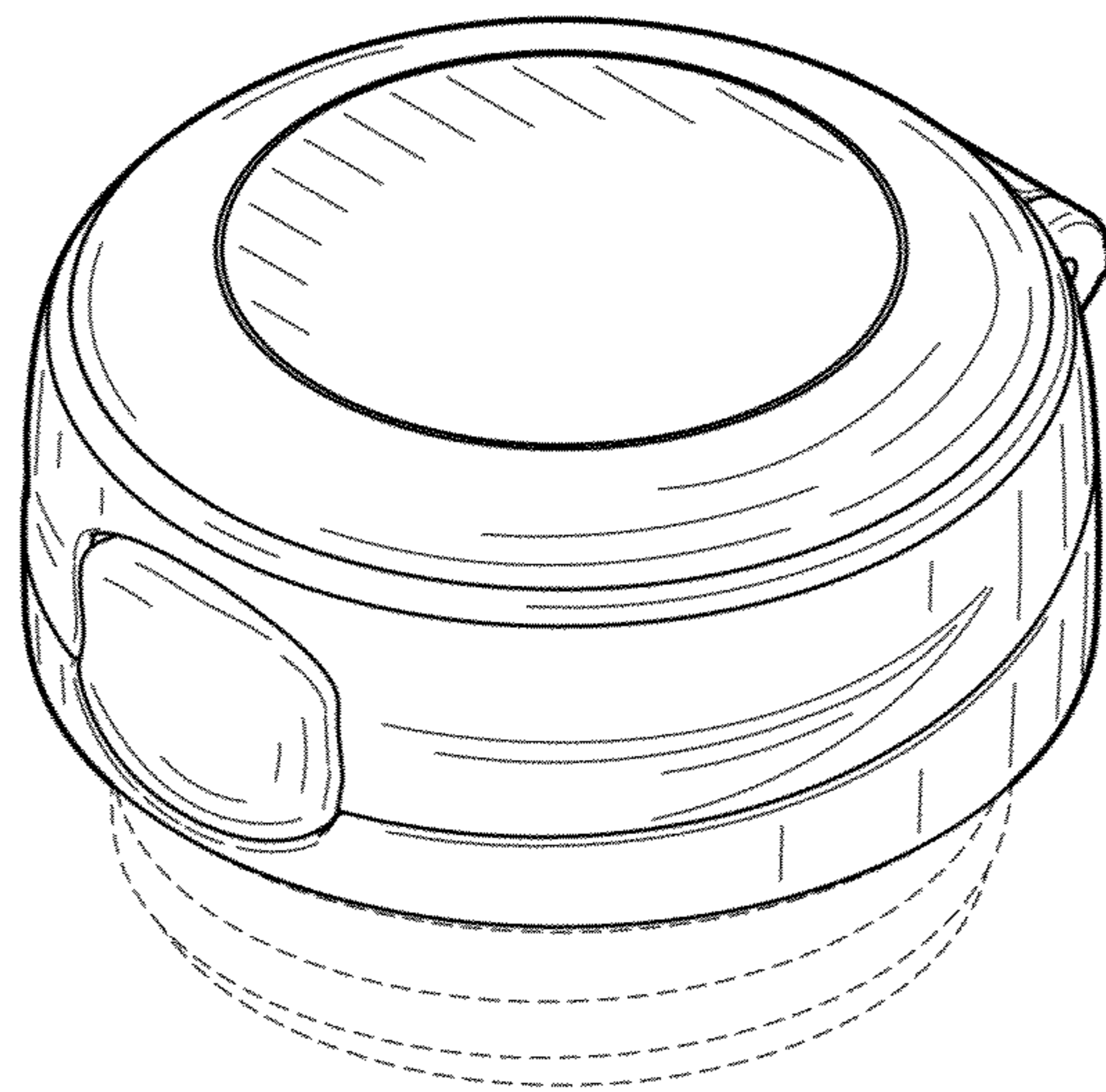


FIG. 8

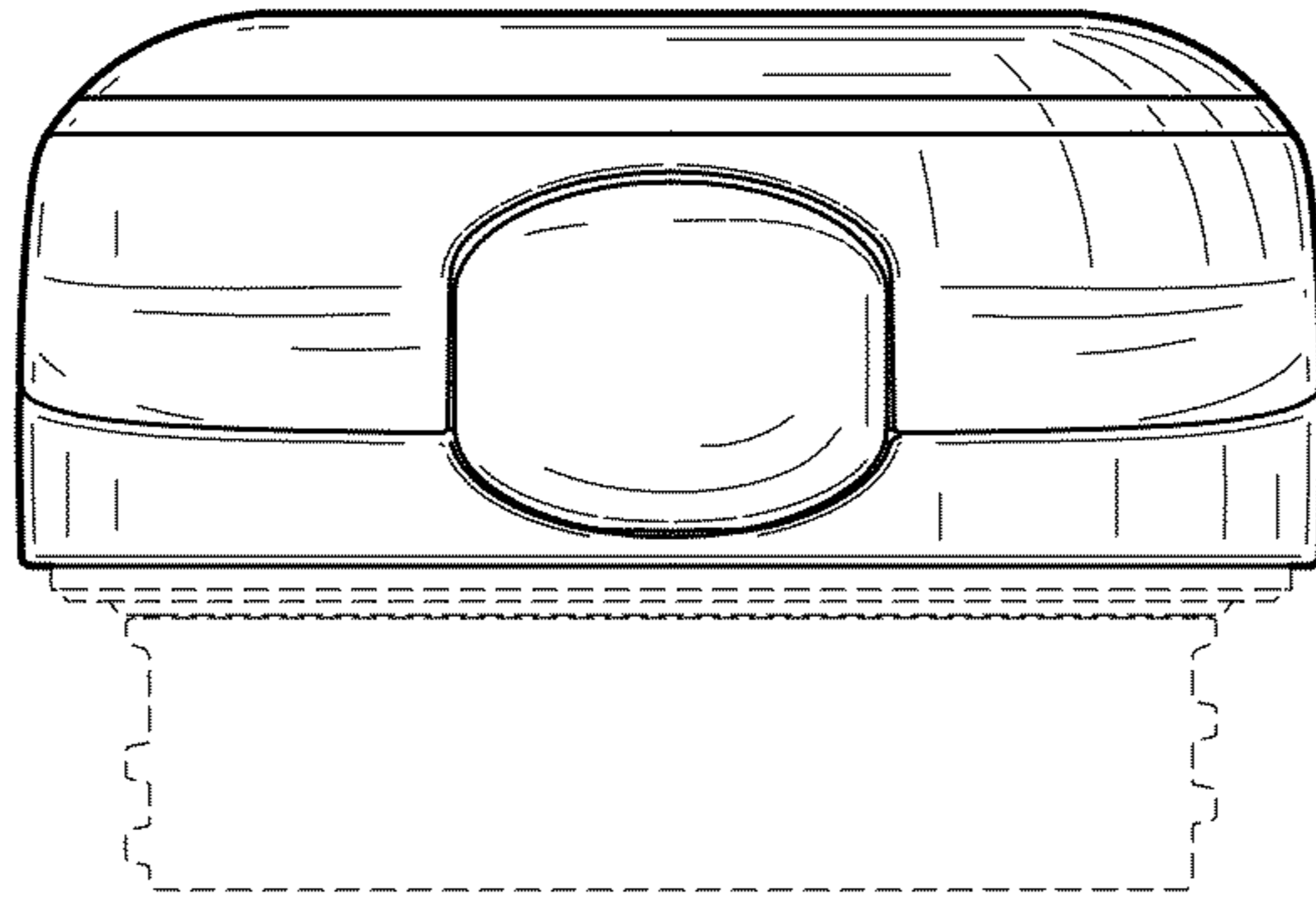


FIG. 9

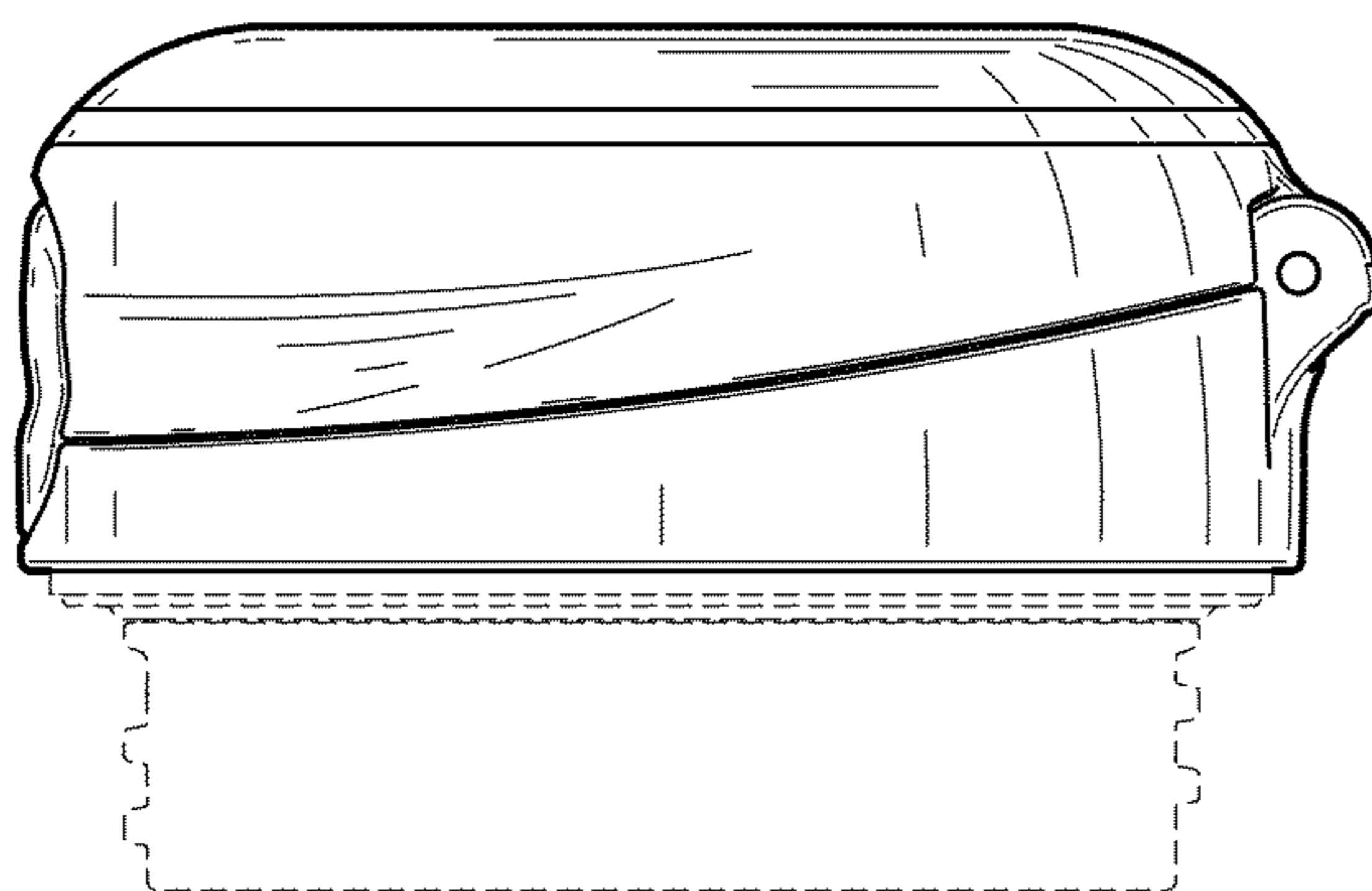


FIG. 10

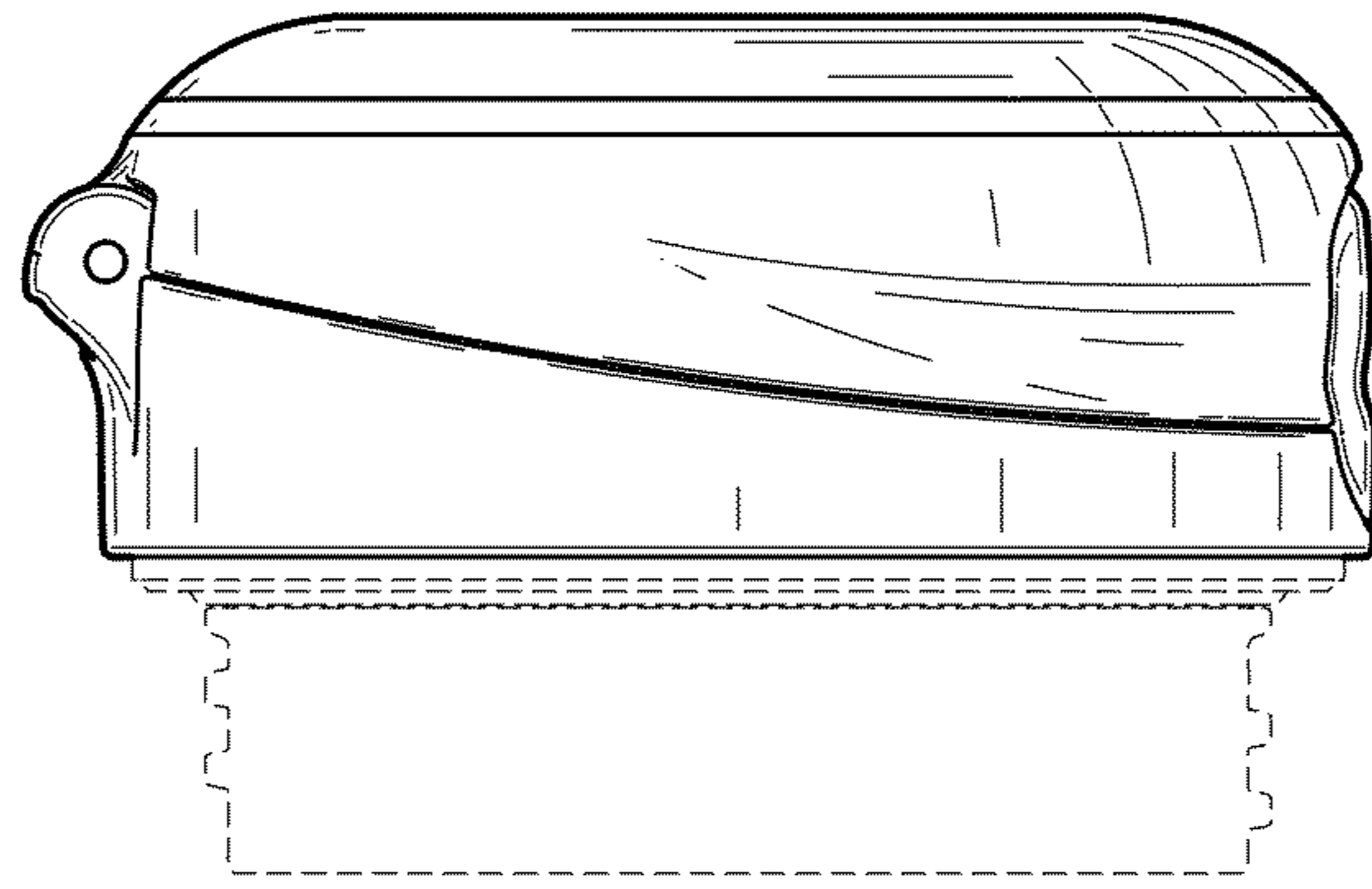


FIG. 11

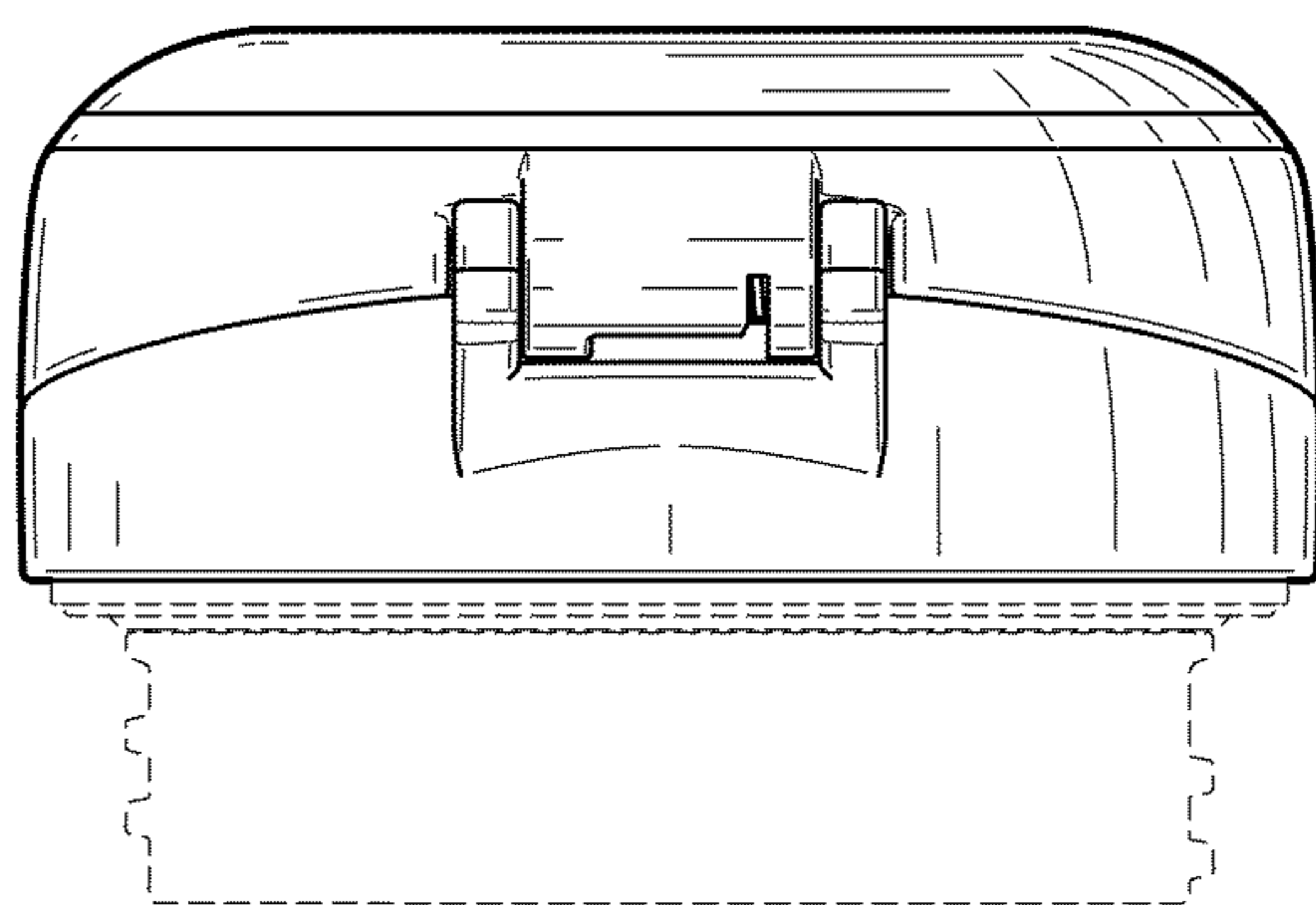


FIG. 12



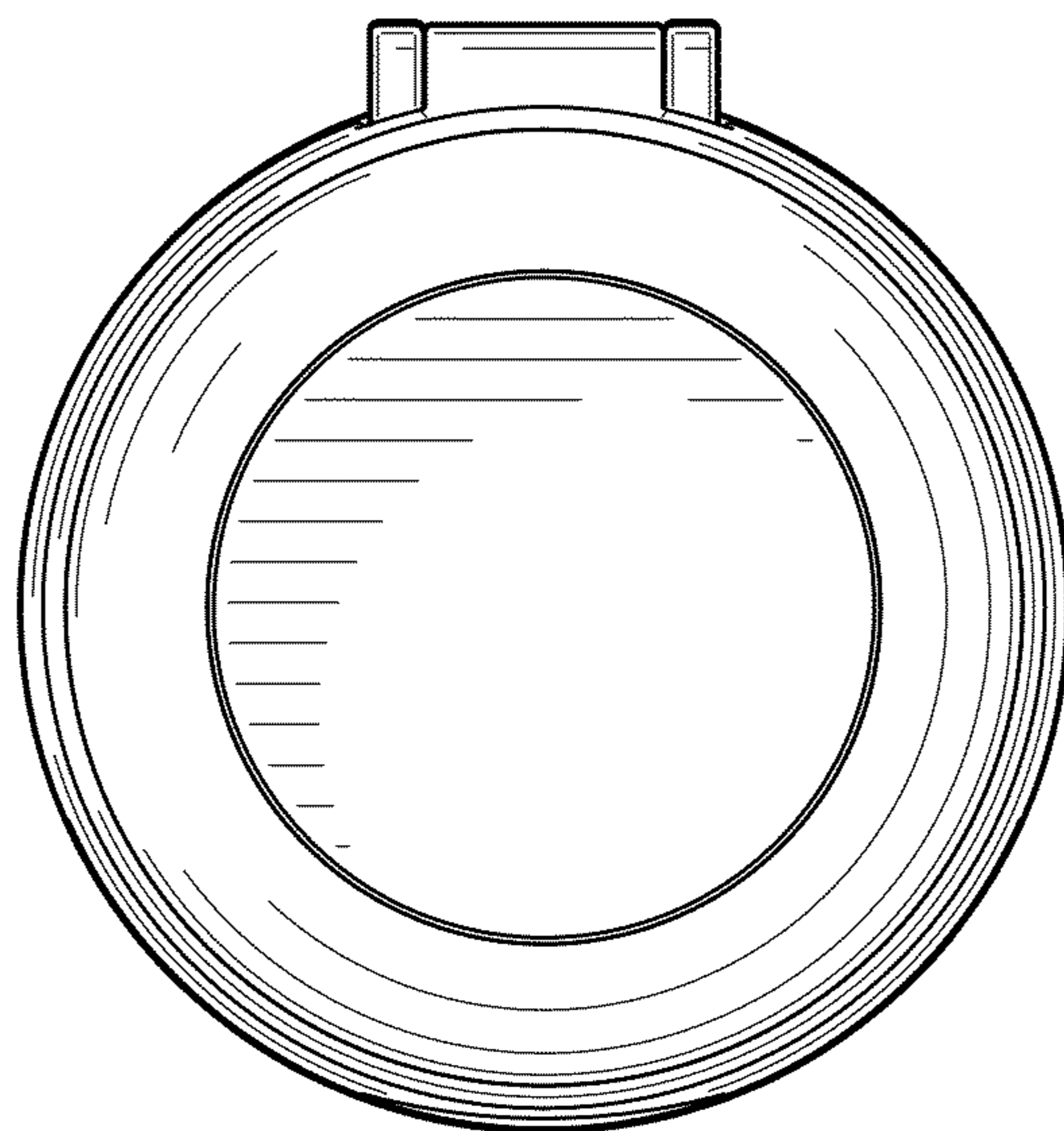


FIG.13

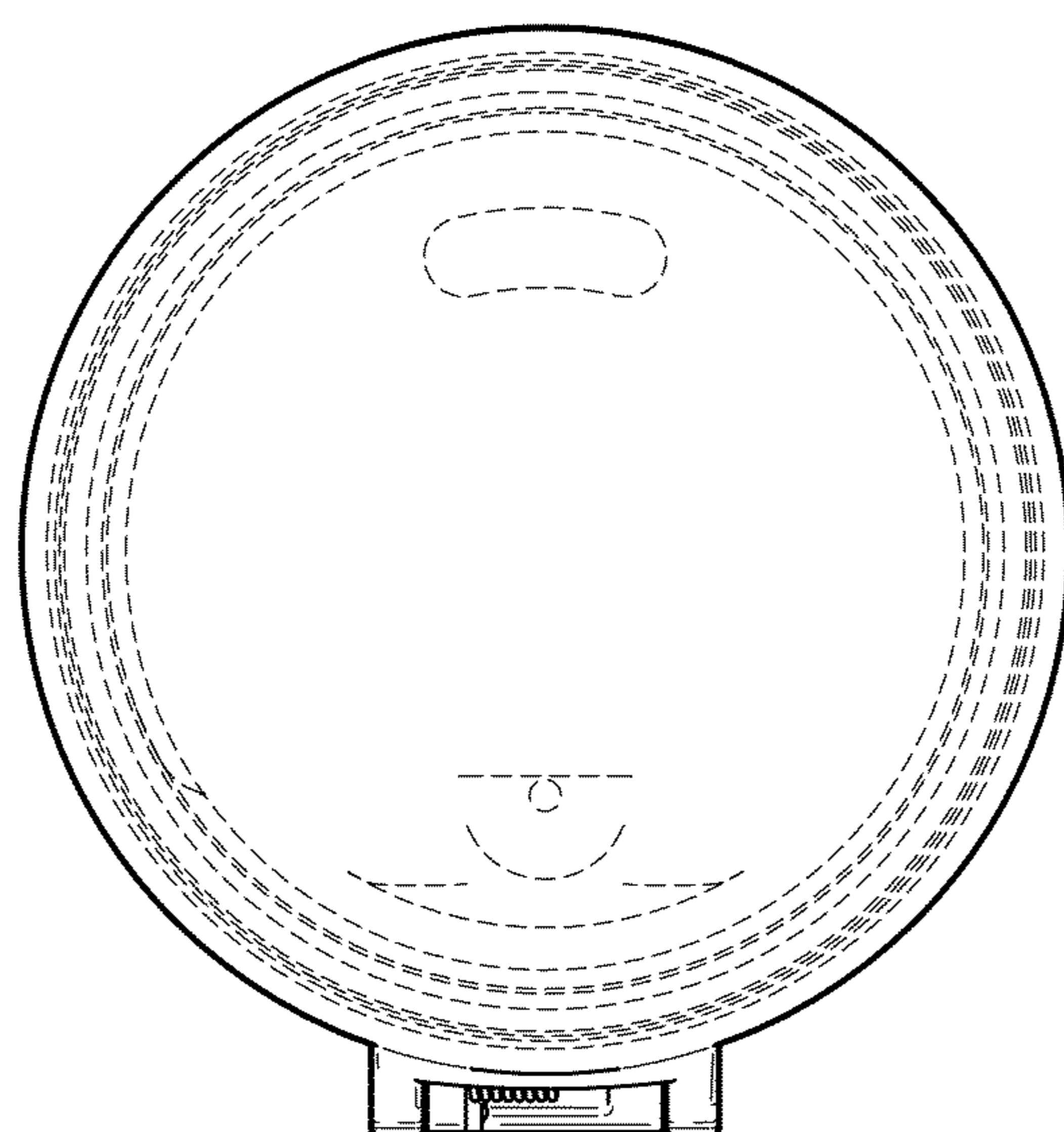


FIG.14