



US00D730728S

(12) **United States Design Patent**
Fath

(10) **Patent No.:** **US D730,728 S**
(45) **Date of Patent:** **** Jun. 2, 2015**

- (54) **ACCESSORY PACKAGE**
- (71) Applicant: **Altria Client Services Inc.**, Richmond, VA (US)
- (72) Inventor: **Scott A Fath**, Richmond, VA (US)
- (73) Assignee: **Altria Client Services Inc.**, Richmond, VA (US)
- (**) Term: **14 Years**
- (21) Appl. No.: **29/450,143**
- (22) Filed: **Mar. 15, 2013**
- (51) **LOC (10) Cl.** **09-03**
- (52) **U.S. Cl.**
USPC **D9/432; D9/433**
- (58) **Field of Classification Search**
USPC D9/414-433, 444-445, 456, 519, 529, D9/560, 715, 718, 748; D7/601, 602, 538, D7/540, 550.1, 552.1, 554.3, 554.4; D3/203.5, 202, 207, 210
CPC B65D 5/00; B65D 5/0015; B65D 5/0045; B65D 5/18; B65D 5/40; B65D 5/2033; B65D 1/22; B65D 1/225; B65D 1/24; B65D 1/34; B65D 1/38
See application file for complete search history.

- D589,798 S * 4/2009 Liipola D9/456
- D596,030 S * 7/2009 Liipola D9/456
- D622,590 S * 8/2010 Tayama D9/432
- D644,514 S * 9/2011 Robins D9/456
- D709,364 S * 7/2014 Olsson et al. D9/432
- D714,136 S * 9/2014 Stepanov D9/432

* cited by examiner

Primary Examiner — Susan Bennett Hattan
Assistant Examiner — Vy Koenig
(74) *Attorney, Agent, or Firm* — Harness, Dickey & Pierce

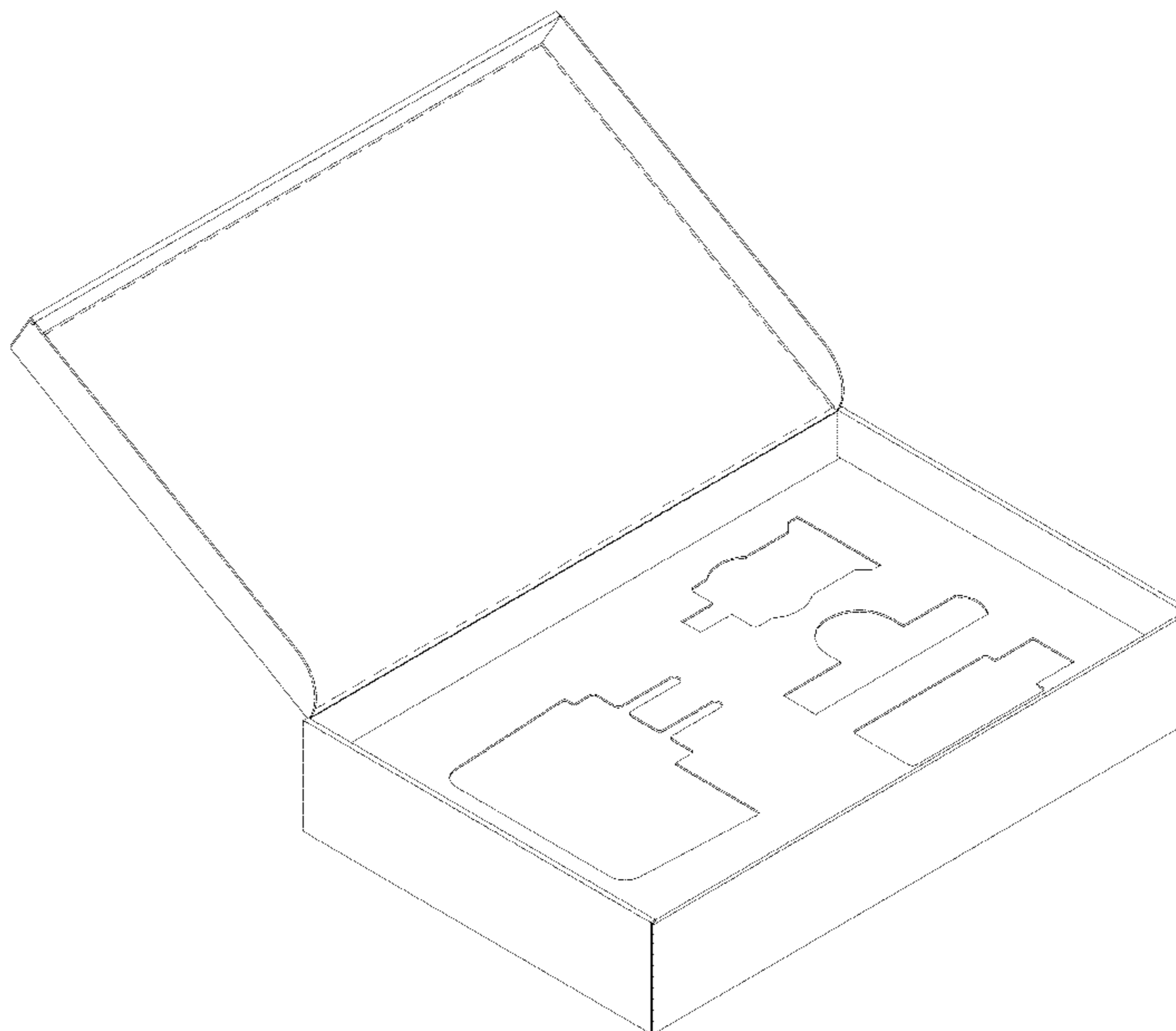
(57) **CLAIM**
The ornamental design for an accessory package, as shown and described.

DESCRIPTION

FIG. 1 is a perspective view of an accessory package showing my new design in a closed configuration.
FIG. 2 is a top plan view thereof.
FIG. 3 is a bottom plan view thereof.
FIG. 4 is a front elevational view thereof.
FIG. 5 is a rear elevational view thereof.
FIG. 6 is a left side elevational view thereof.
FIG. 7 is a right side elevational view thereof.
FIG. 8 is a perspective view of an accessory package showing my new design in an open configuration.
FIG. 9 is a top plan view thereof.
FIG. 10 is a bottom plan view thereof.
FIG. 11 is a front elevational view thereof.
FIG. 12 is a rear elevational view thereof.
FIG. 13 is a left side elevational view thereof.
FIG. 14 is a right side elevational view thereof; and,
FIG. 15 is a plan view of the accessory packaging showing my new design in a flat, blank configuration.
The broken lines in the drawings depict environmental subject matter and form no part of the claimed design.

1 Claim, 12 Drawing Sheets

- (56) **References Cited**
U.S. PATENT DOCUMENTS
3,658,237 A * 4/1972 Engel 229/117.04
D280,976 S * 10/1985 Diamond D9/456
D303,217 S * 9/1989 Maidon D9/456
D376,759 S * 12/1996 Bradfield D9/432
D398,527 S * 9/1998 Maceachern et al. D9/432
D420,586 S * 2/2000 MacEachern et al. D9/432



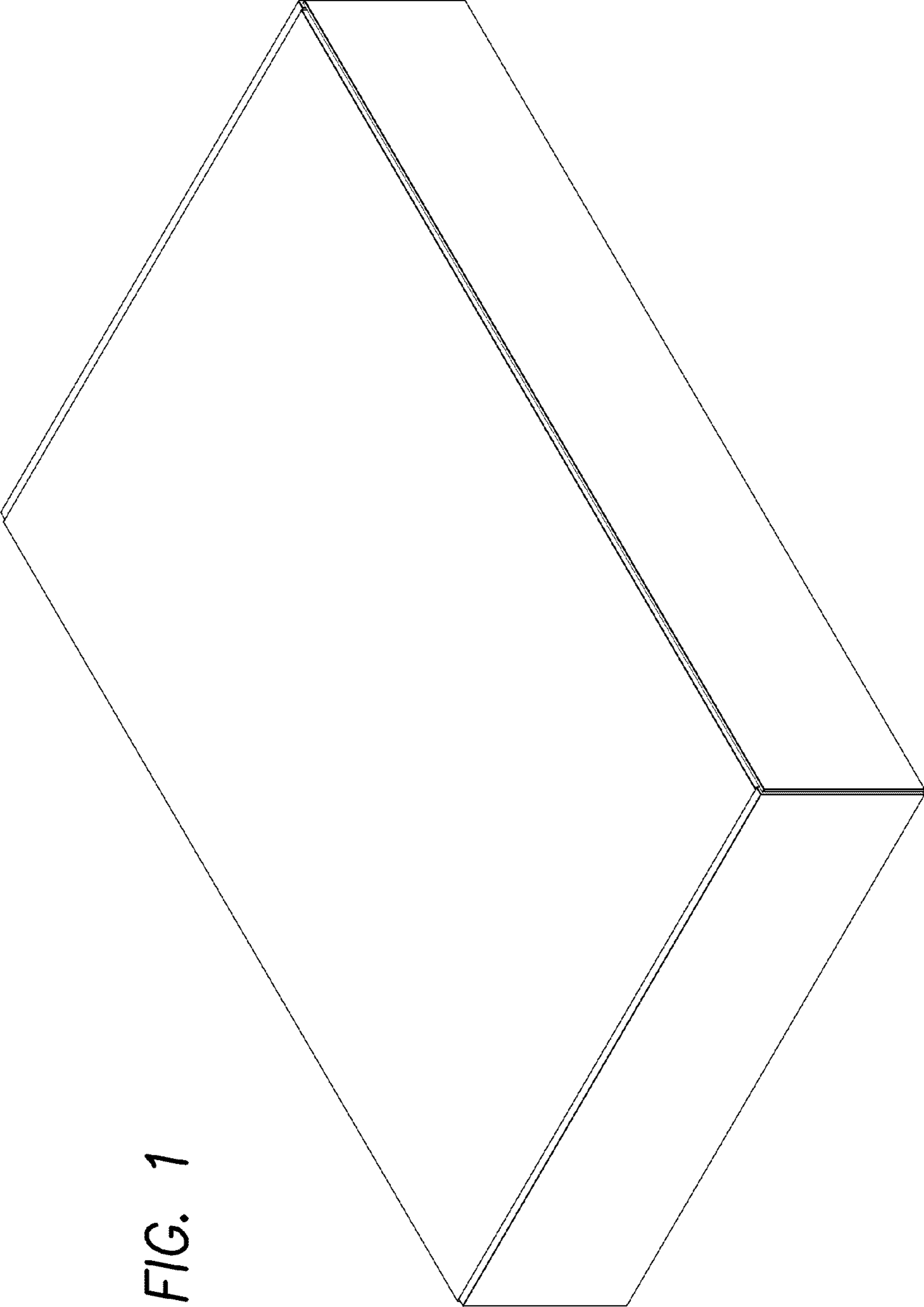


FIG. 1

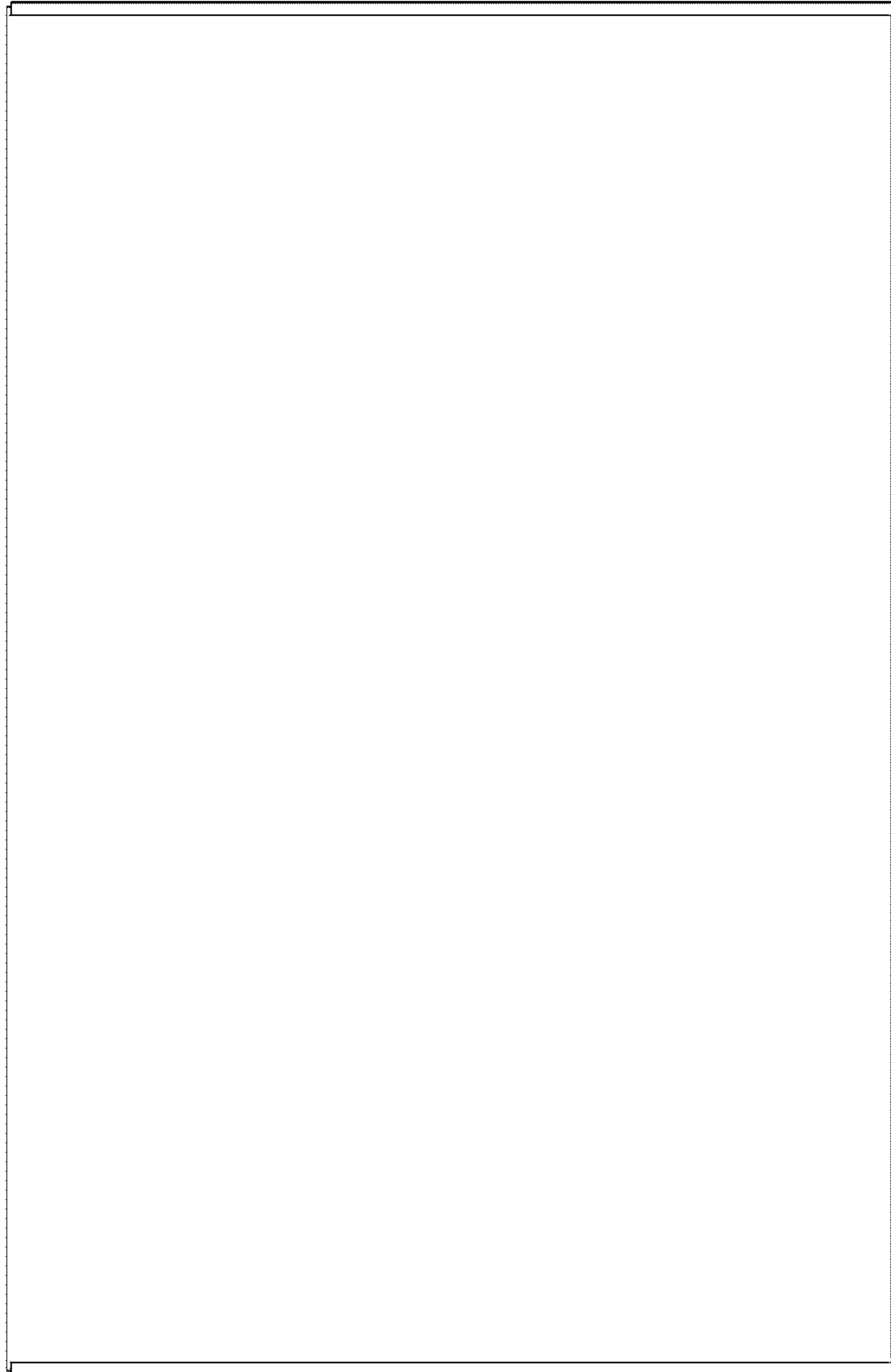


FIG. 2

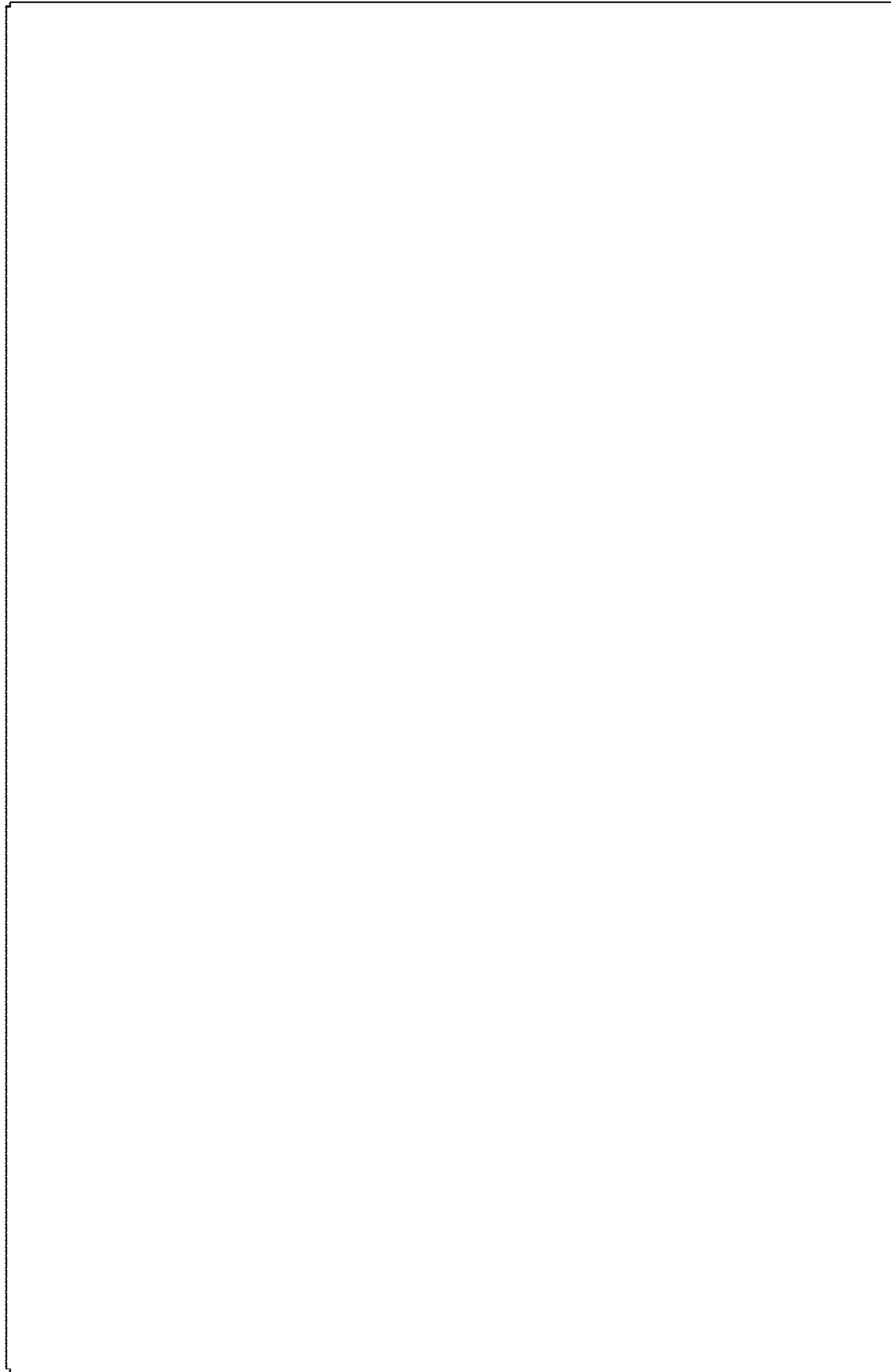


FIG. 3

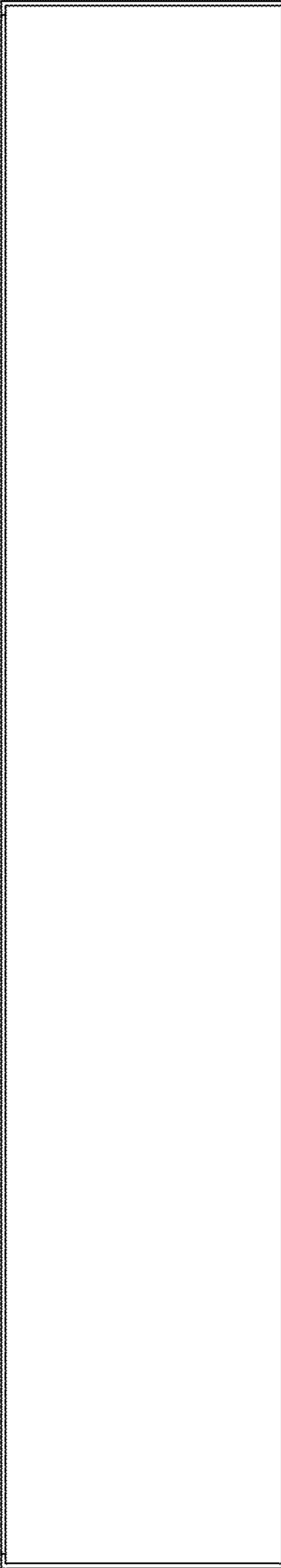


FIG. 4

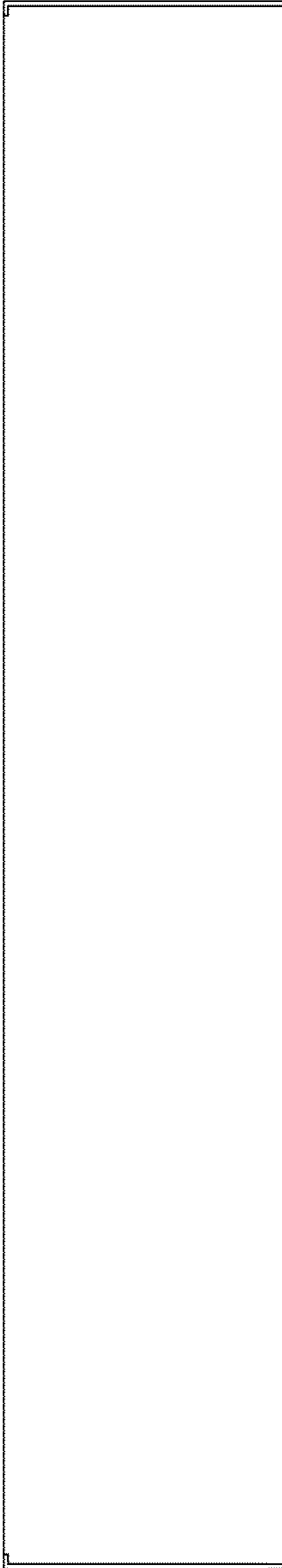


FIG. 5

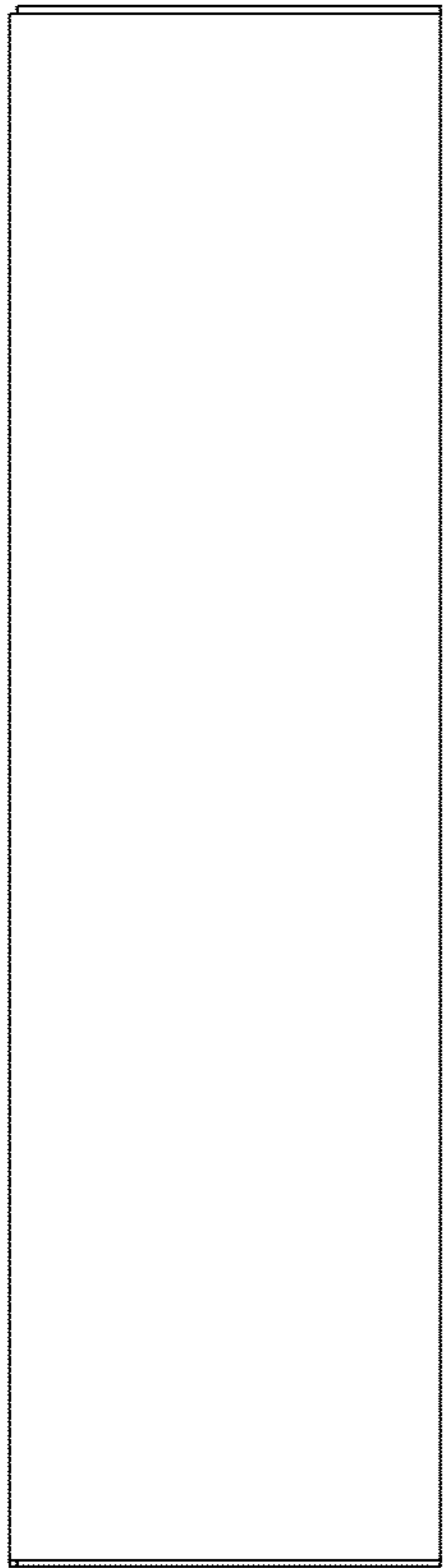


FIG. 6

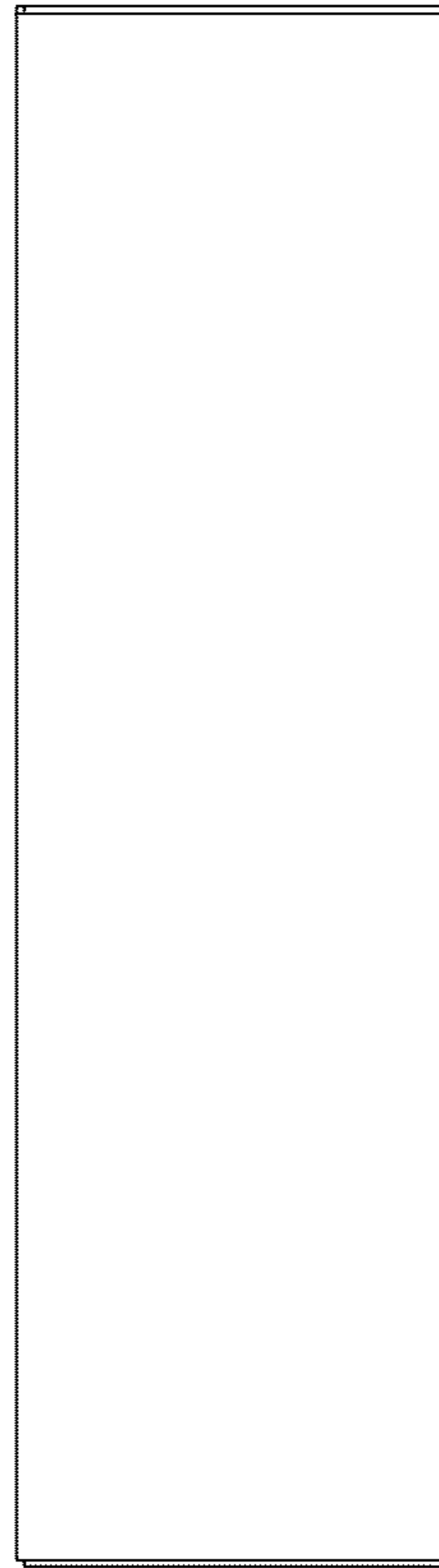


FIG. 7

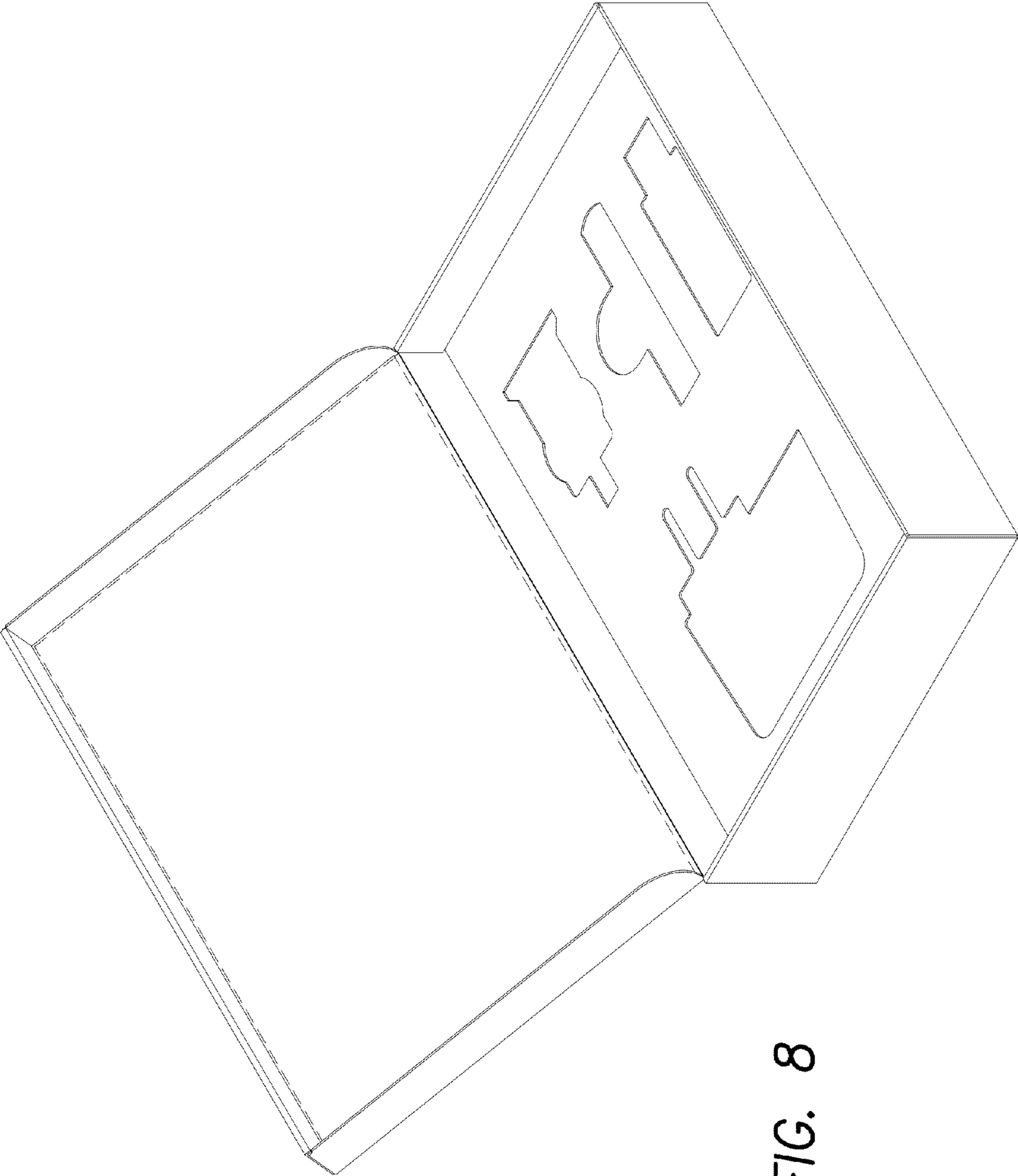


FIG. 8

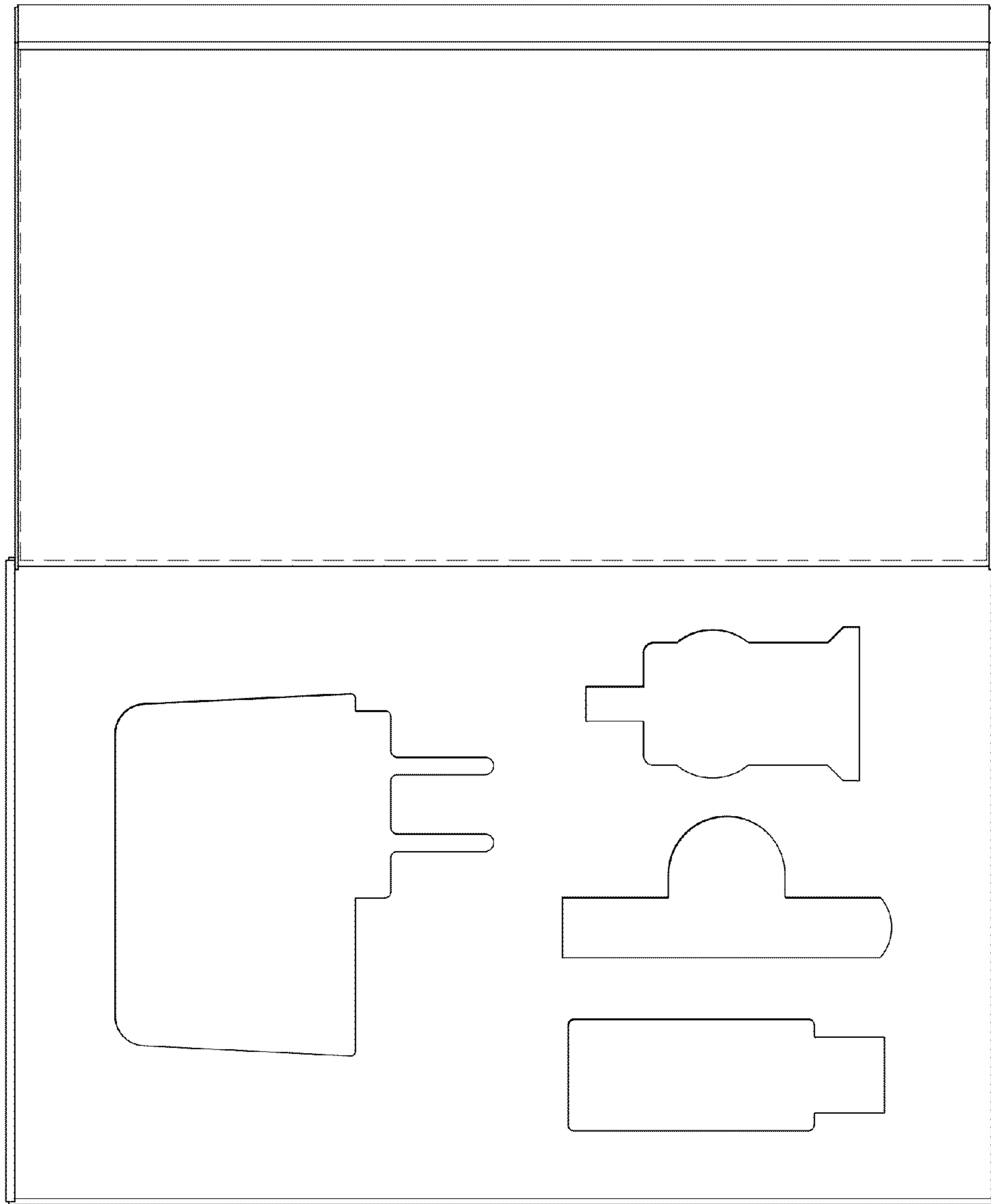


FIG. 9

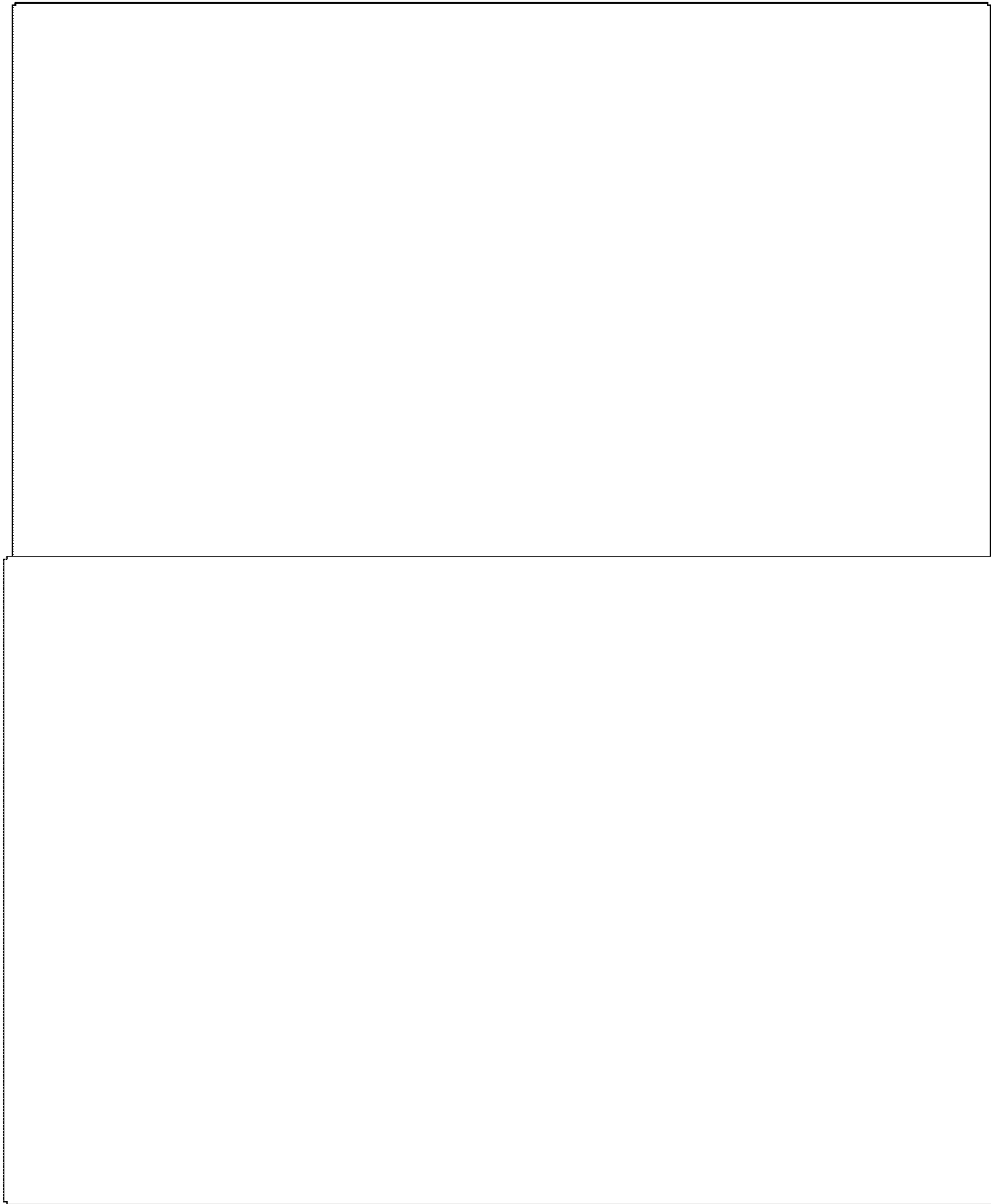


FIG. 10

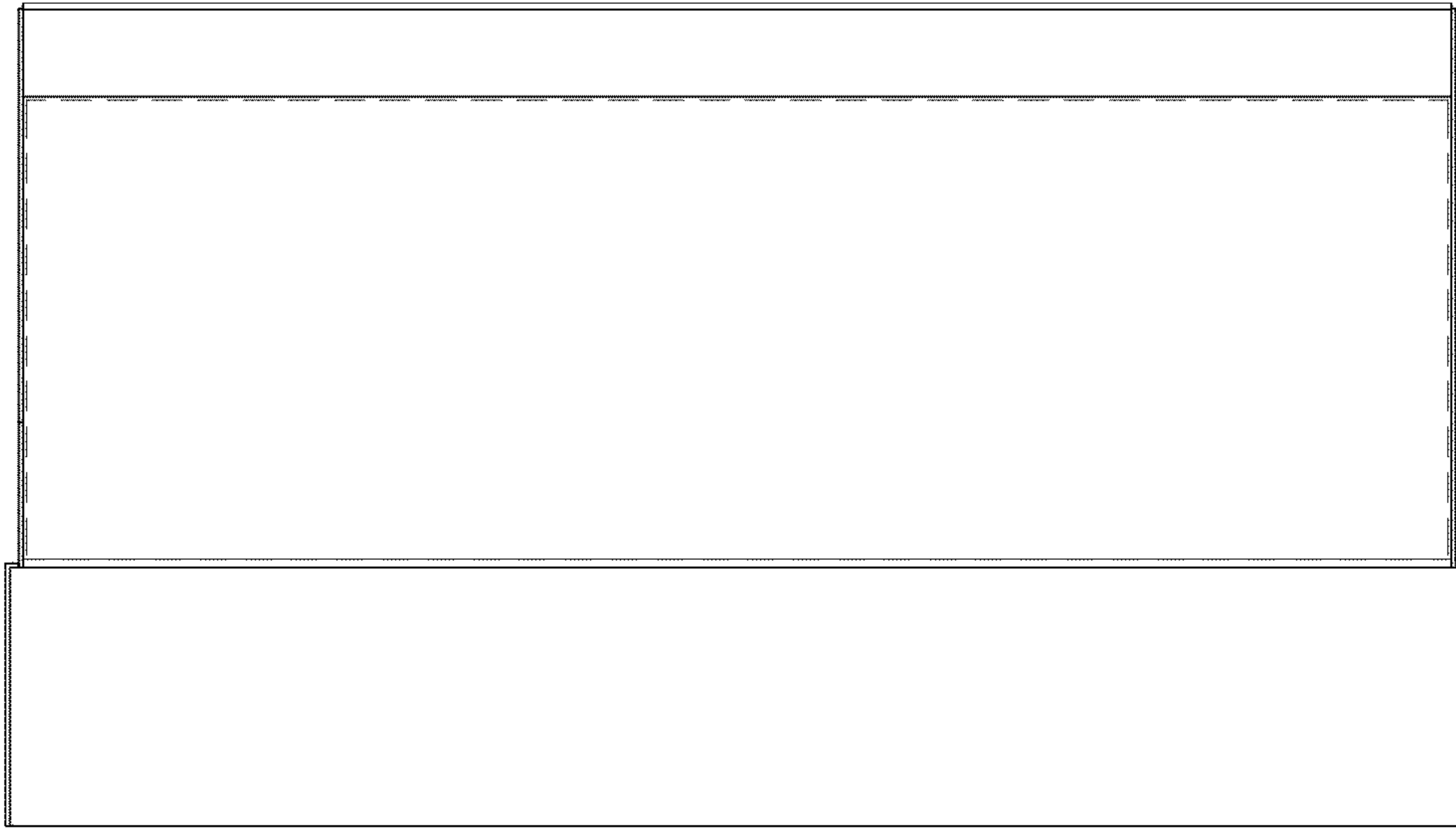


FIG. 11

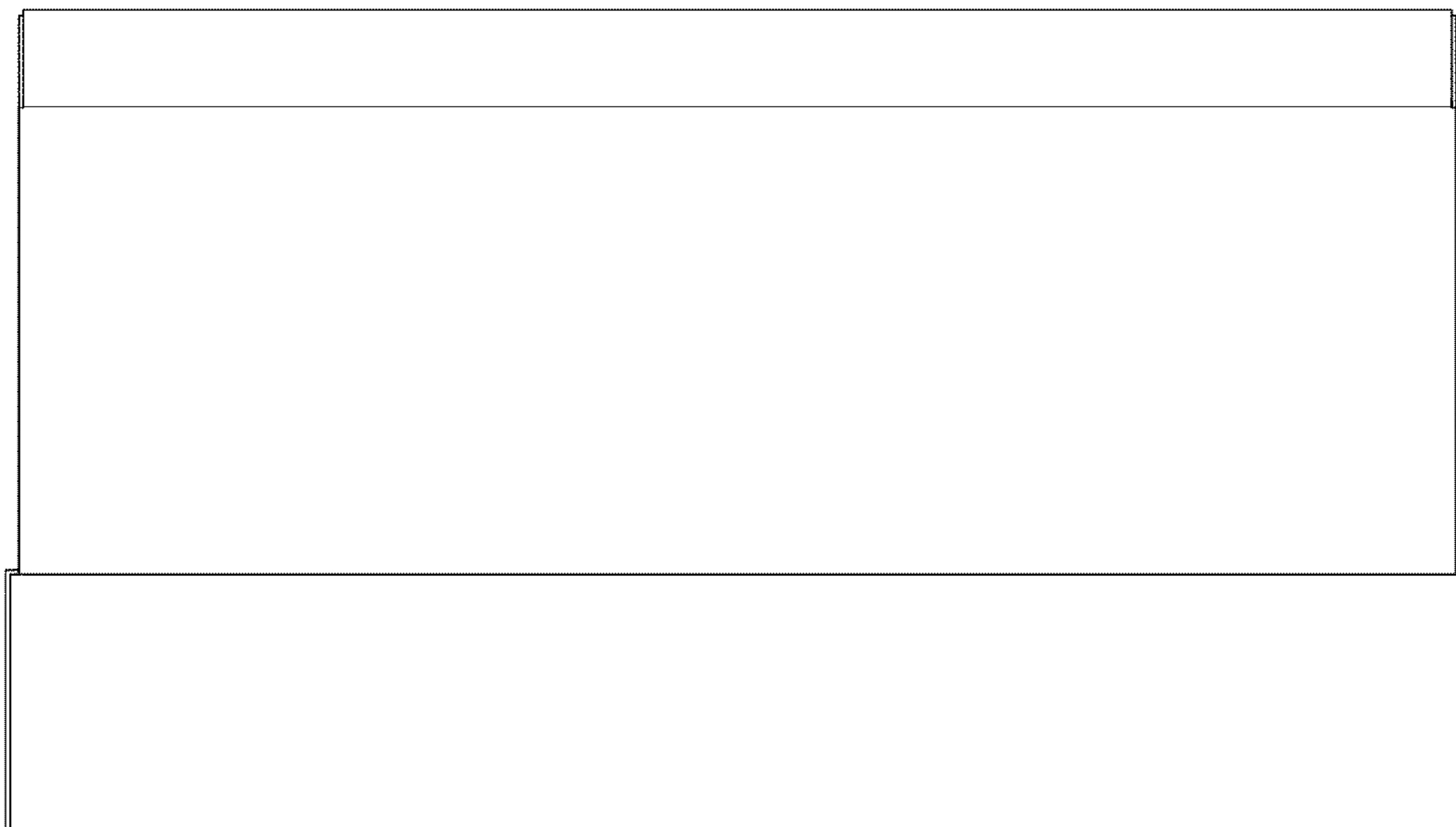


FIG. 12

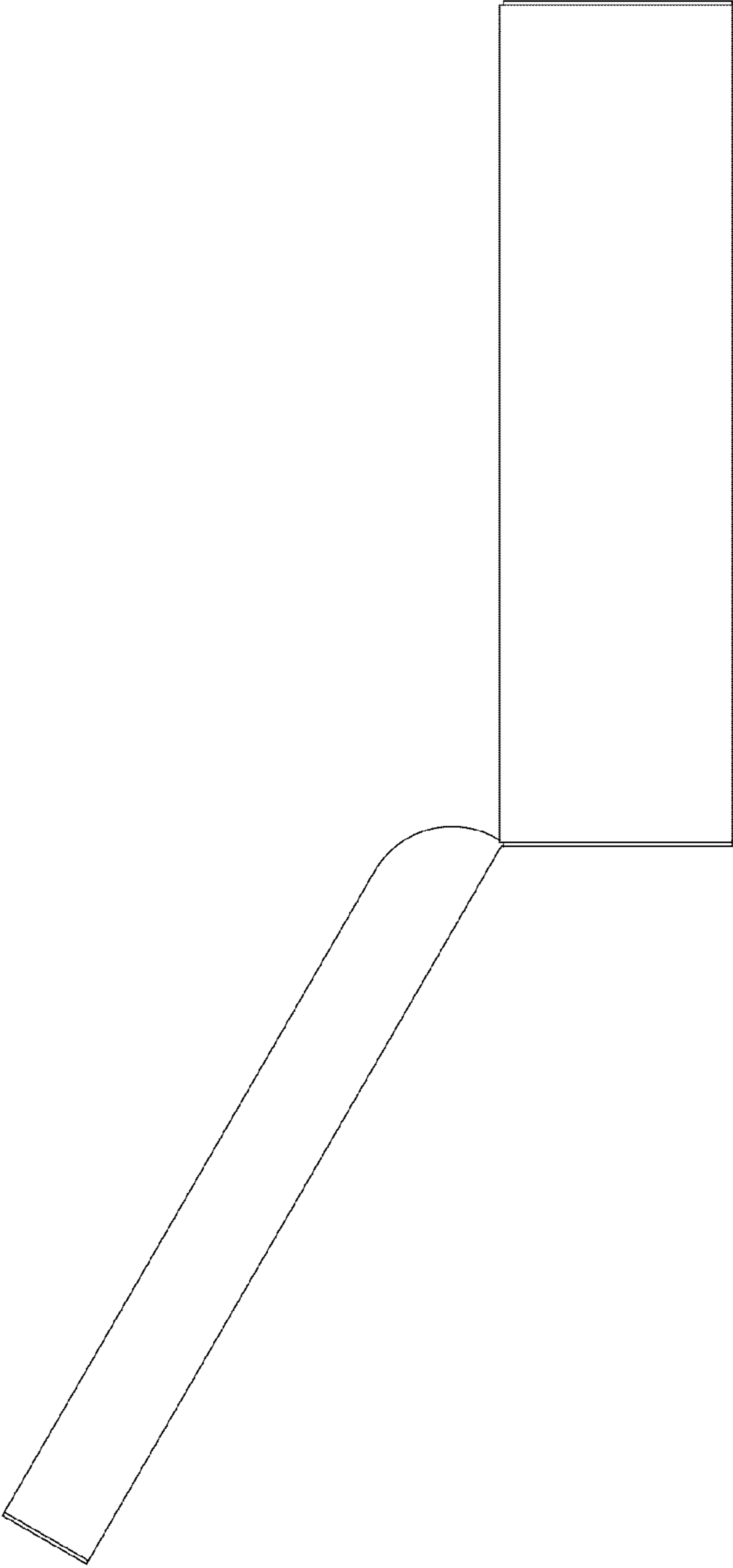


FIG. 13

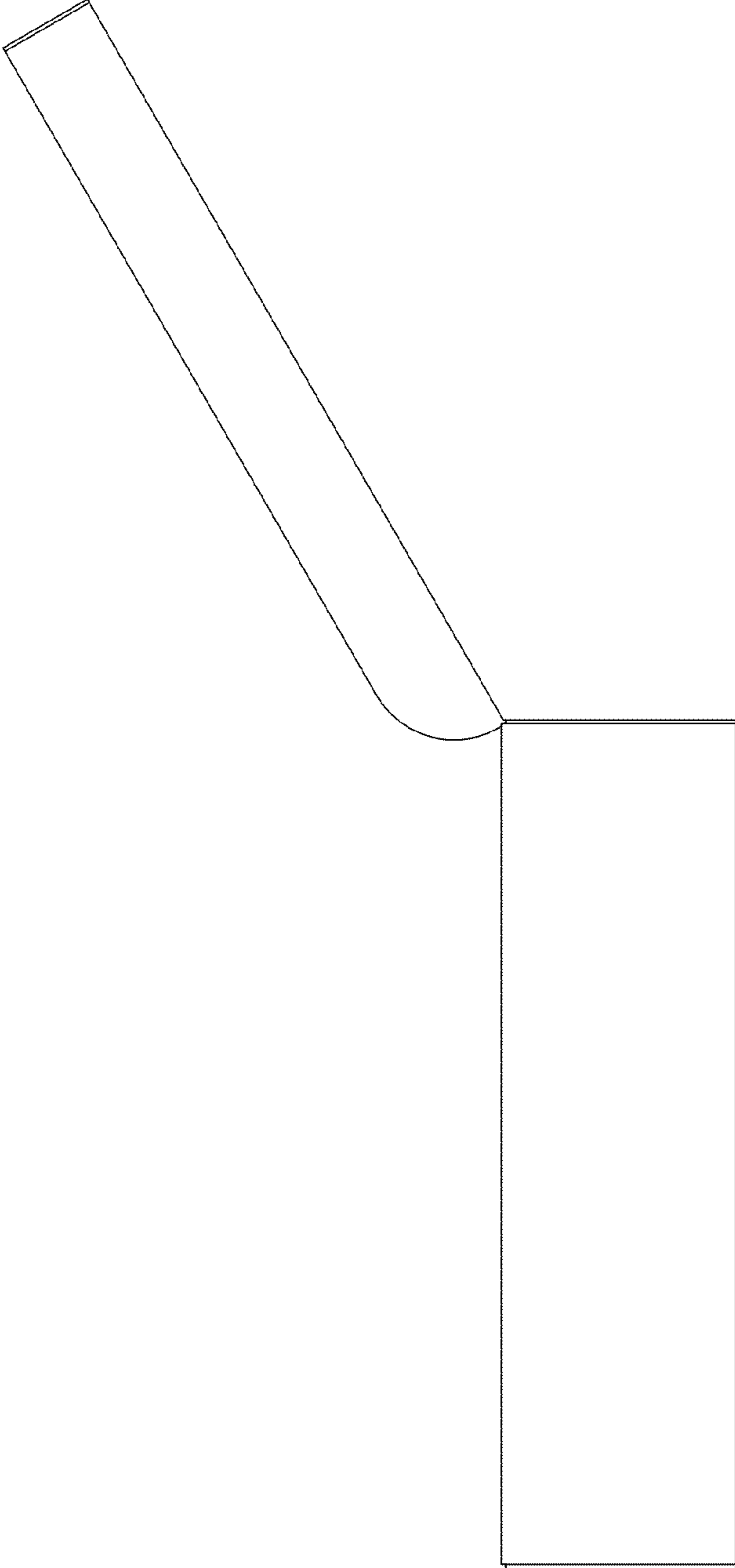


FIG. 14

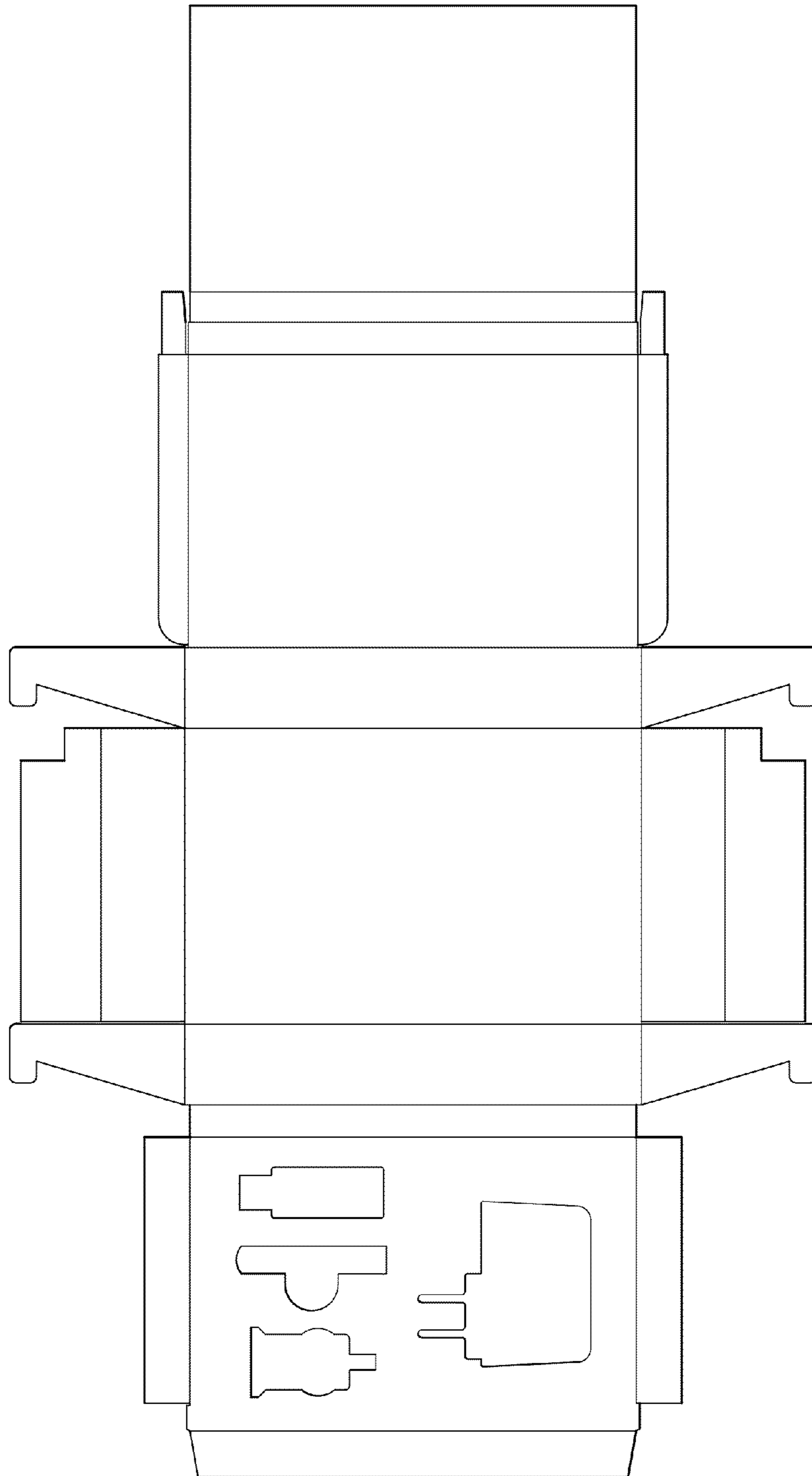


FIG. 15