



US00D730727S

(12) **United States Design Patent**
Chen

(10) **Patent No.:** **US D730,727 S**

(45) **Date of Patent:** **** Jun. 2, 2015**

- (54) **CIRCULAR FOOD CONTAINER**
- (71) Applicant: **TAISHAN CHANGJIANG PLASTIC PRODUCT CO., LTD.**, Tai shan, Guangdong Province (CN)
- (72) Inventor: **Linzhao Chen**, Tai shan (CN)
- (73) Assignee: **TAISHAN CHANGJIANG PLASTIC PRODUCT CO., LTD.** (CN)

D475,571 S *	6/2003	Hopkins	D7/359
D549,050 S *	8/2007	Spencer et al.	D7/538
D591,591 S *	5/2009	Moecks et al.	D9/428
D592,499 S *	5/2009	Colacitti	D9/425
D606,368 S *	12/2009	Wu	D7/629
D630,897 S *	1/2011	Jarvis et al.	D7/407
D634,618 S *	3/2011	Colacitti	D9/425
D680,861 S *	4/2013	Chen	D9/429
D686,512 S *	7/2013	Hamilton	D9/732
2007/0034161 A1 *	2/2007	Thompson	119/61.5

* cited by examiner

(**) Term: **14 Years**

Primary Examiner — Thomas Johannes

(21) Appl. No.: **29/458,962**

Assistant Examiner — Keith Frank

(22) Filed: **Jun. 25, 2013**

(74) *Attorney, Agent, or Firm* — Schmeiser, Olsen & Watts, LLP

(51) **LOC (10) Cl.** **09-03**

(52) **U.S. Cl.**
USPC **D9/428**

(58) **Field of Classification Search**
USPC D9/414, 416, 418, 423, 424, 425, 428, D9/429, 500–504, 542, 454; 206/501–509, 206/512, 541; 229/800, 906.1; D7/538, D7/550.1, 565, 540, 542, 584, 602; 220/4.23, 4.24, 23.86, 780, 781
CPC .. B65D 77/20; B65D 77/2024; B65D 77/225; B65D 77/245; B65D 81/025; B65D 81/18; B65D 81/3407; B65D 81/3438; B65D 81/3846; B65D 81/3865; B65D 85/36
See application file for complete search history.

(57) **CLAIM**

The ornamental design for a circular food container, as shown and described.

DESCRIPTION

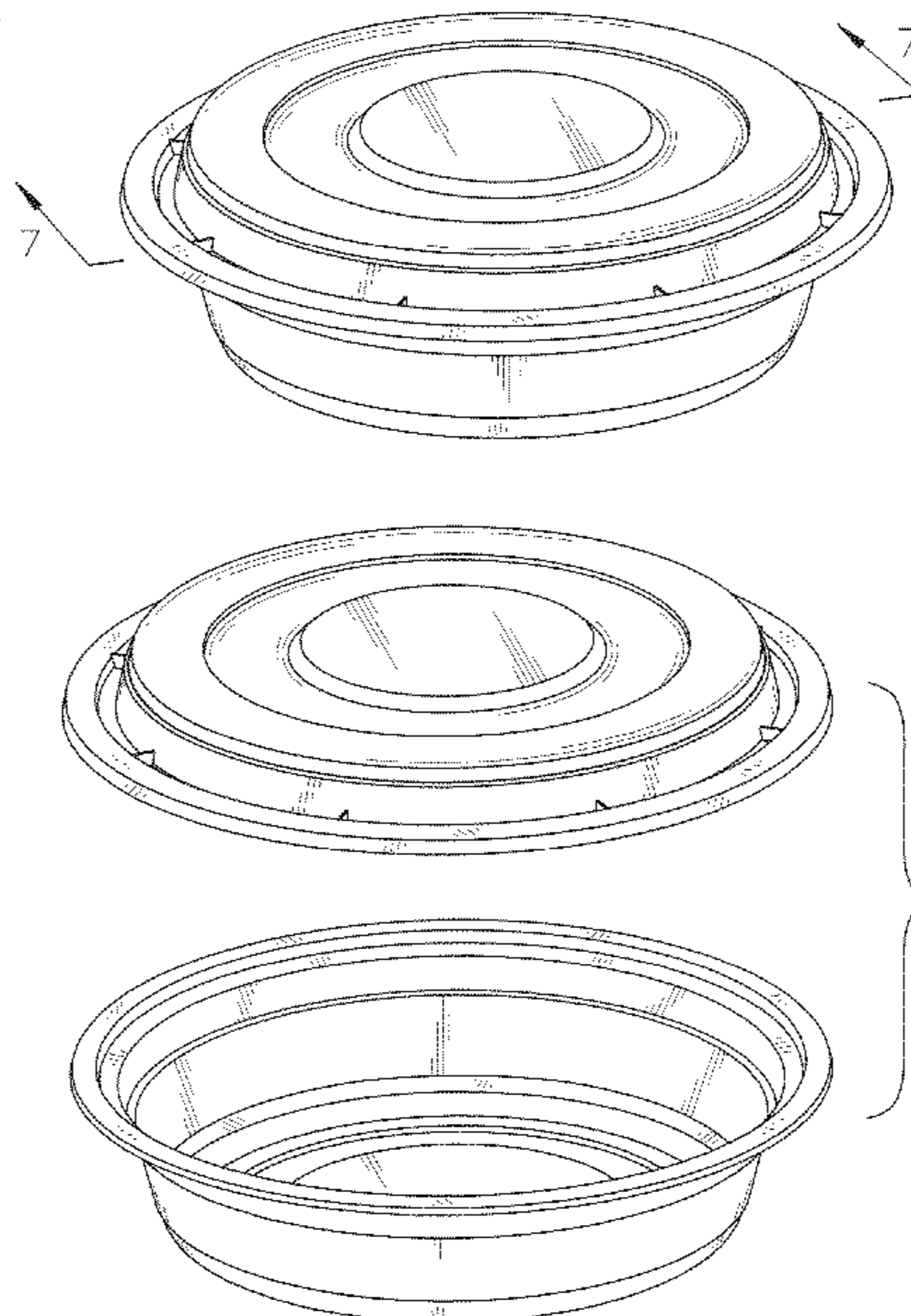
FIG. 1 is a top perspective view of a circular food container showing my new design with a lid closed;
FIG. 2 is a front view thereof with the lid closed, the opposite rear view with the lid closed being identical;
FIG. 3 is a top view thereof;
FIG. 4 is a bottom view thereof;
FIG. 5 is a top perspective view thereof with the lid separated;
FIG. 6 is a front view thereof with the lid separated; the opposite rear view with the lid separated being identical; and,
FIG. 7 is a cross section view thereof, in the direction of line 7-7 of FIG. 1.

(56) **References Cited**

U.S. PATENT DOCUMENTS

D289,269 S *	4/1987	Fleckenstein	D11/157
D415,420 S *	10/1999	Chen	D9/428
D452,155 S *	12/2001	Stodd	D9/454

1 Claim, 7 Drawing Sheets



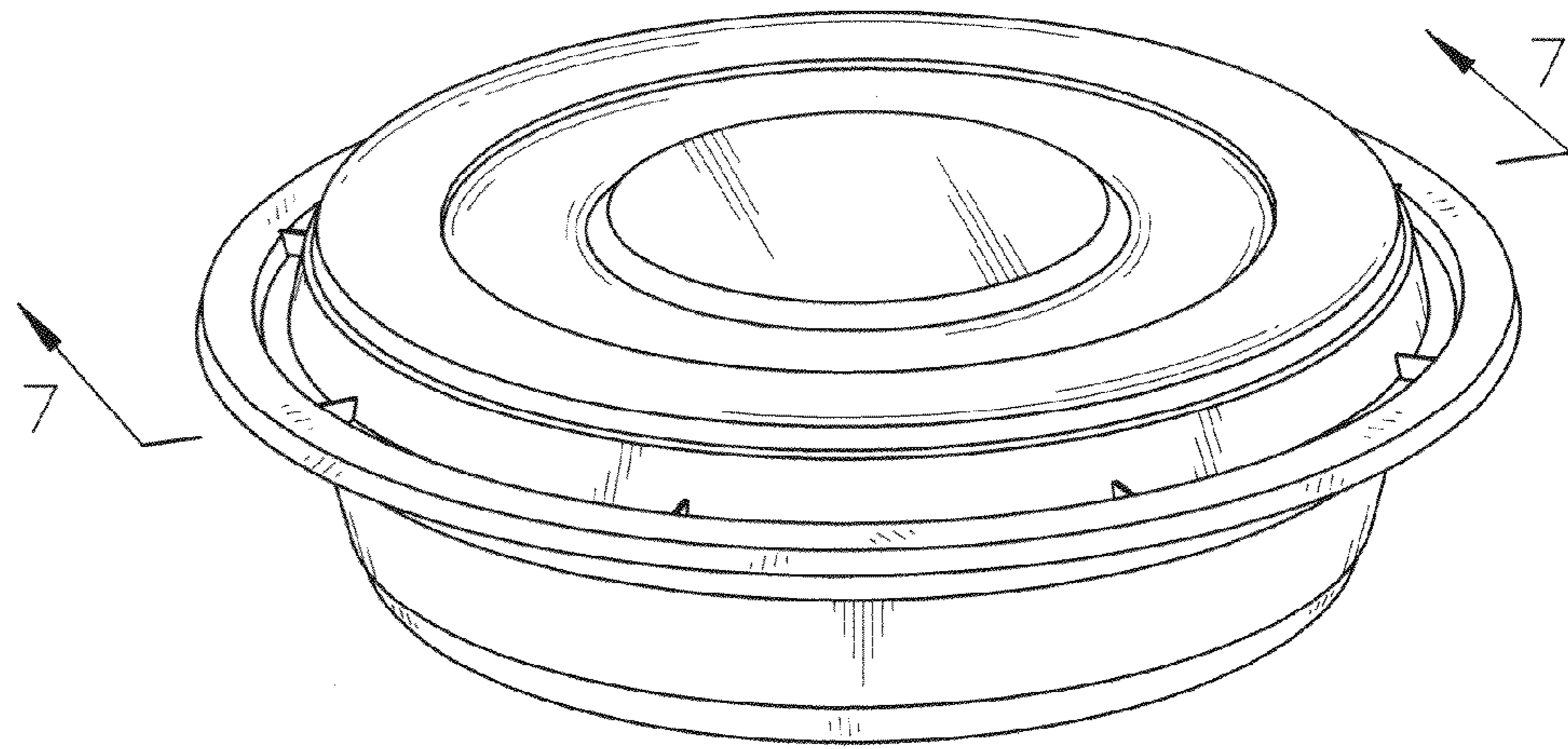


FIG.1

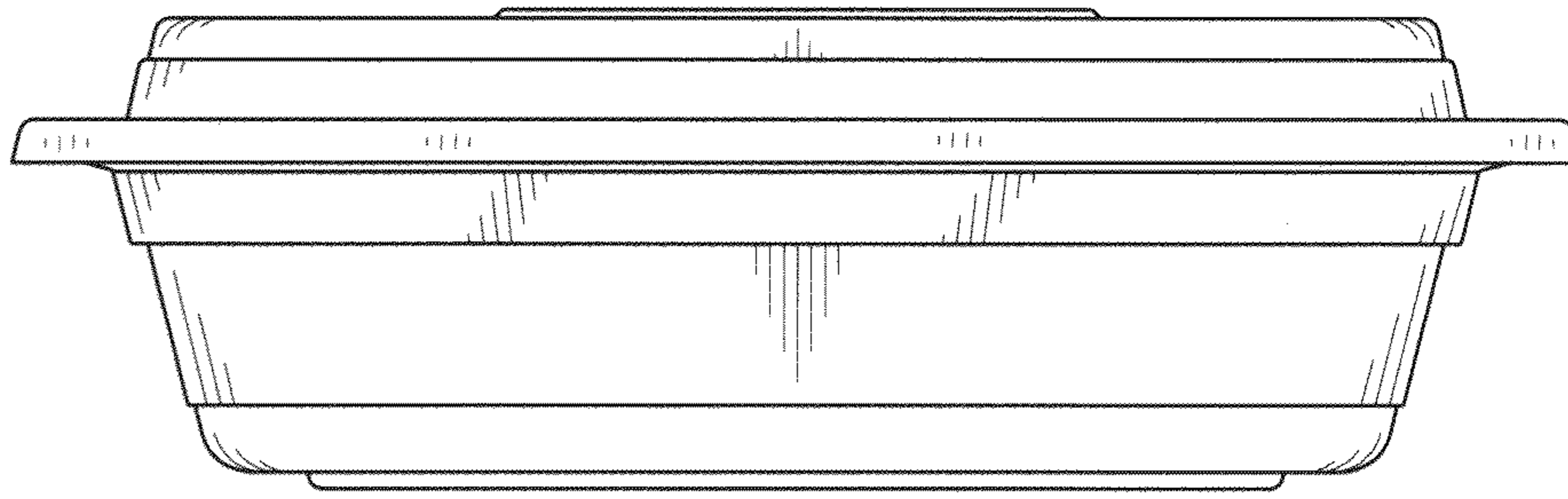


FIG. 2

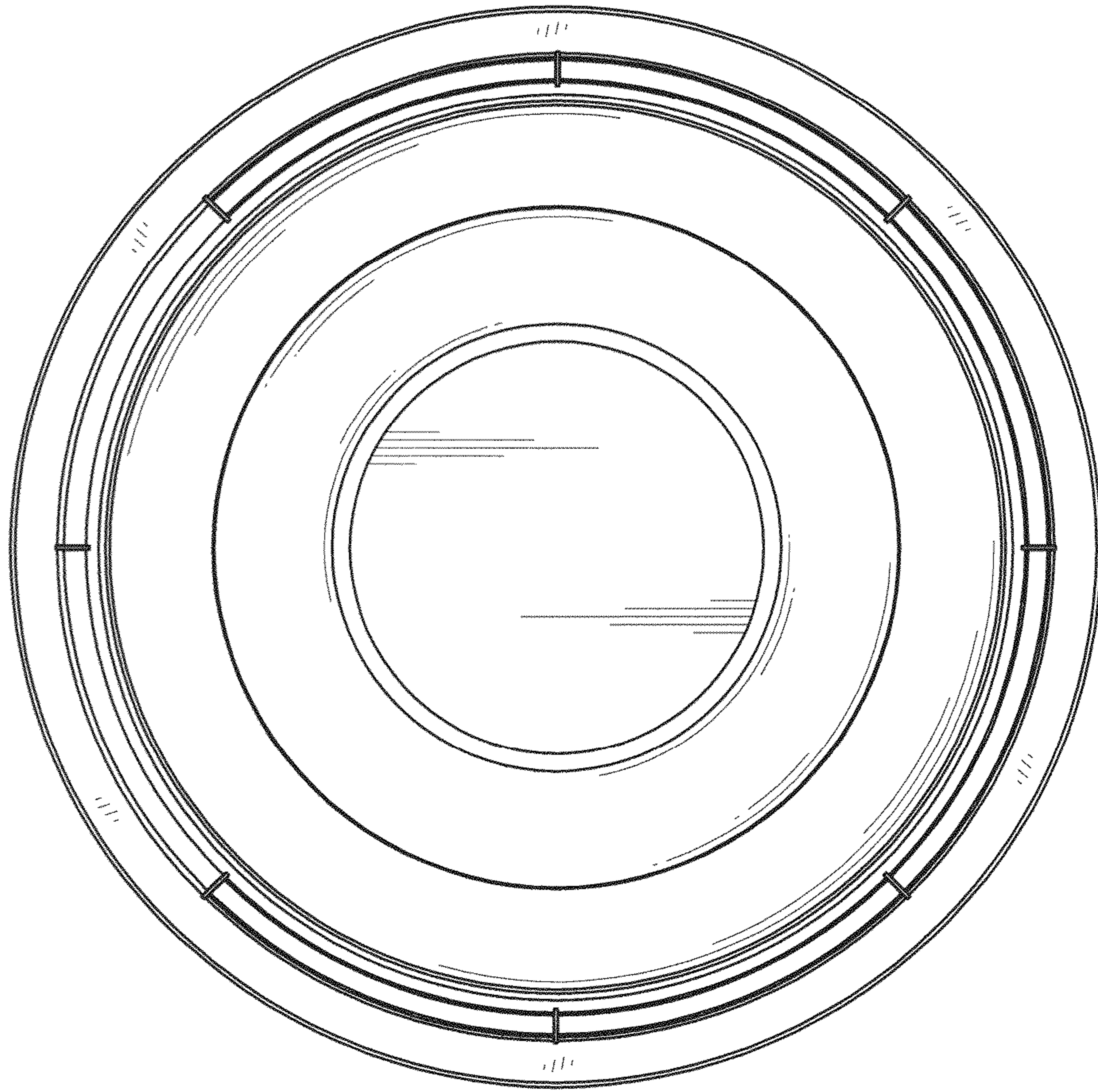


FIG. 3

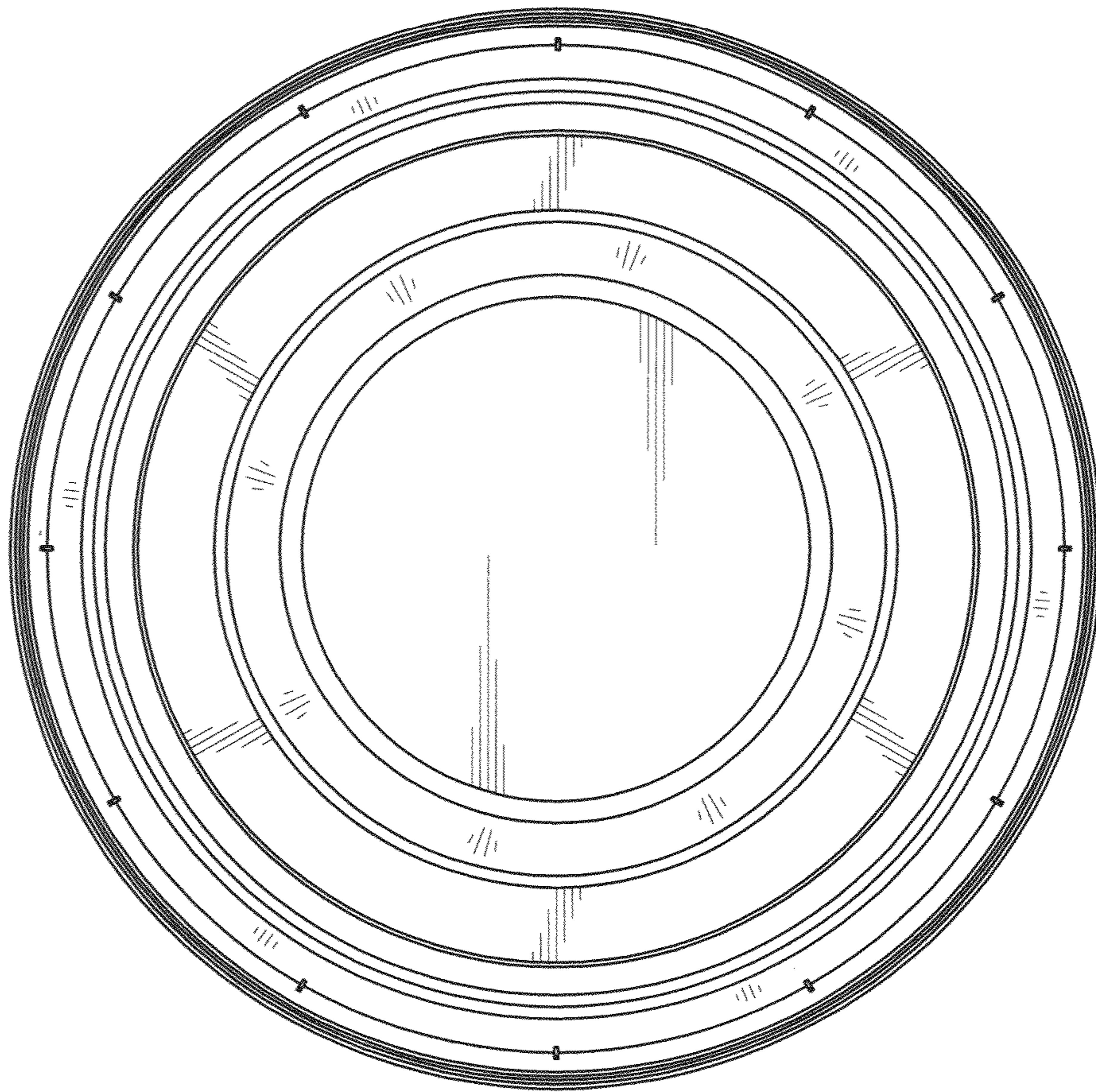


FIG. 4

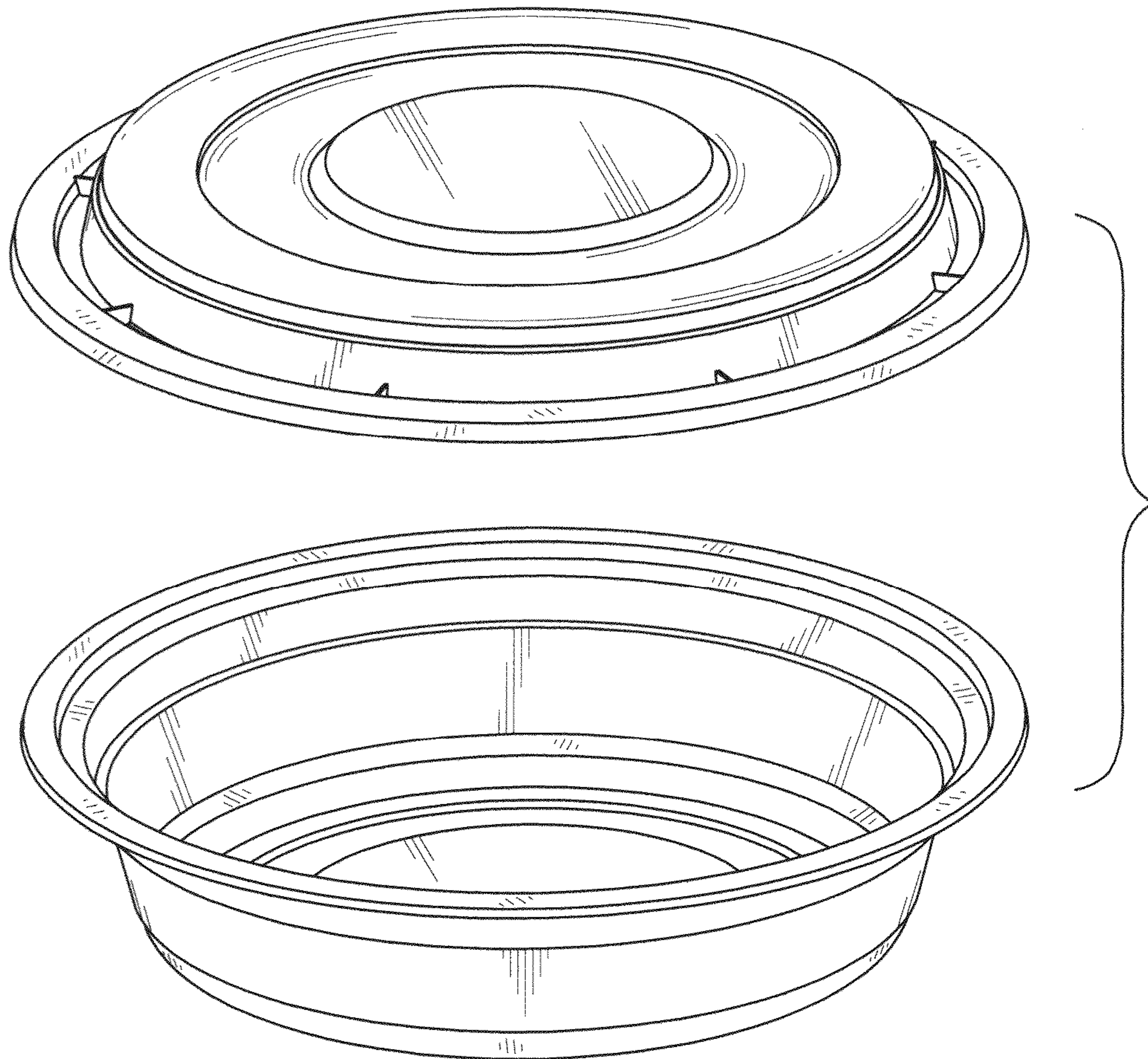


FIG. 5

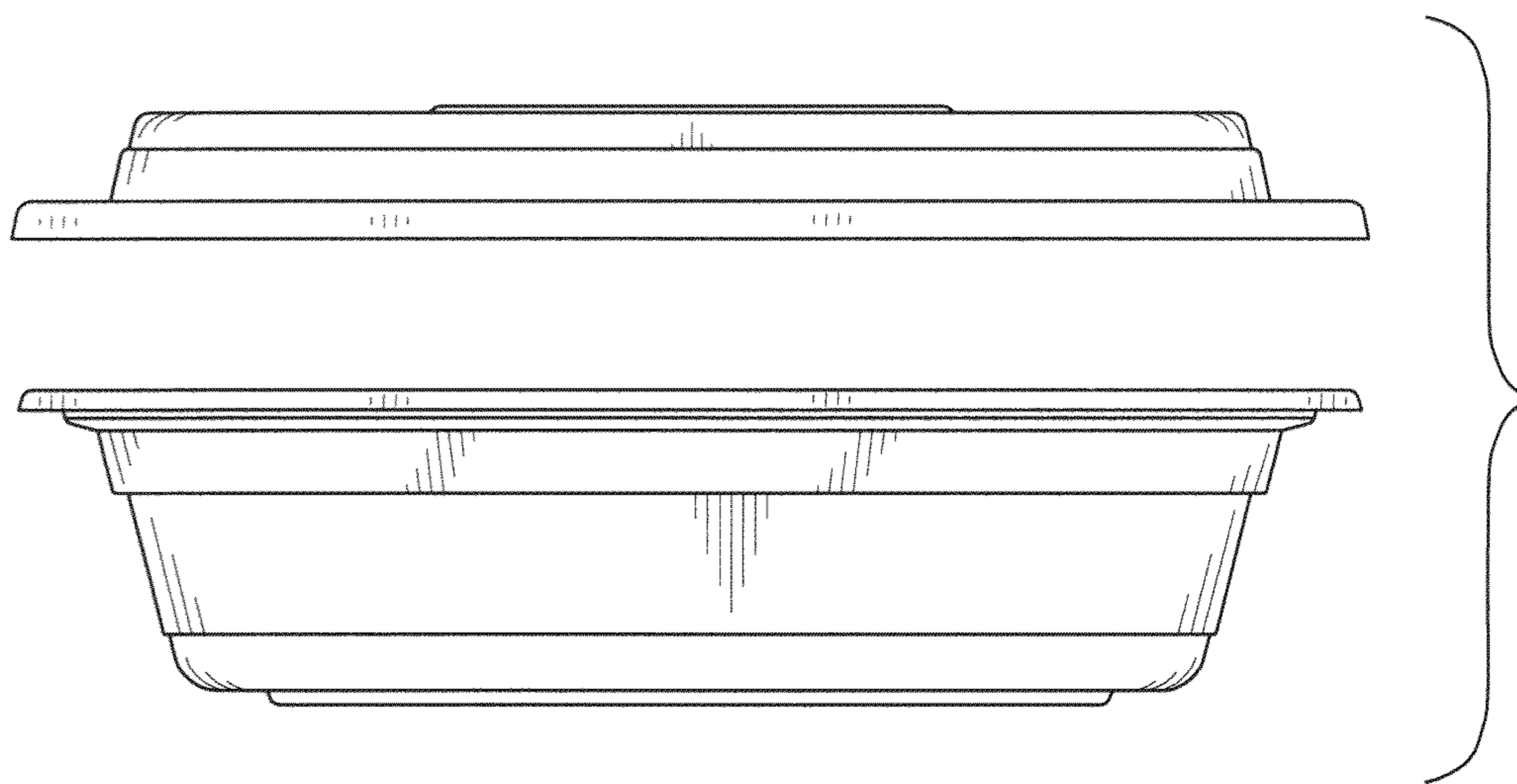


FIG. 6

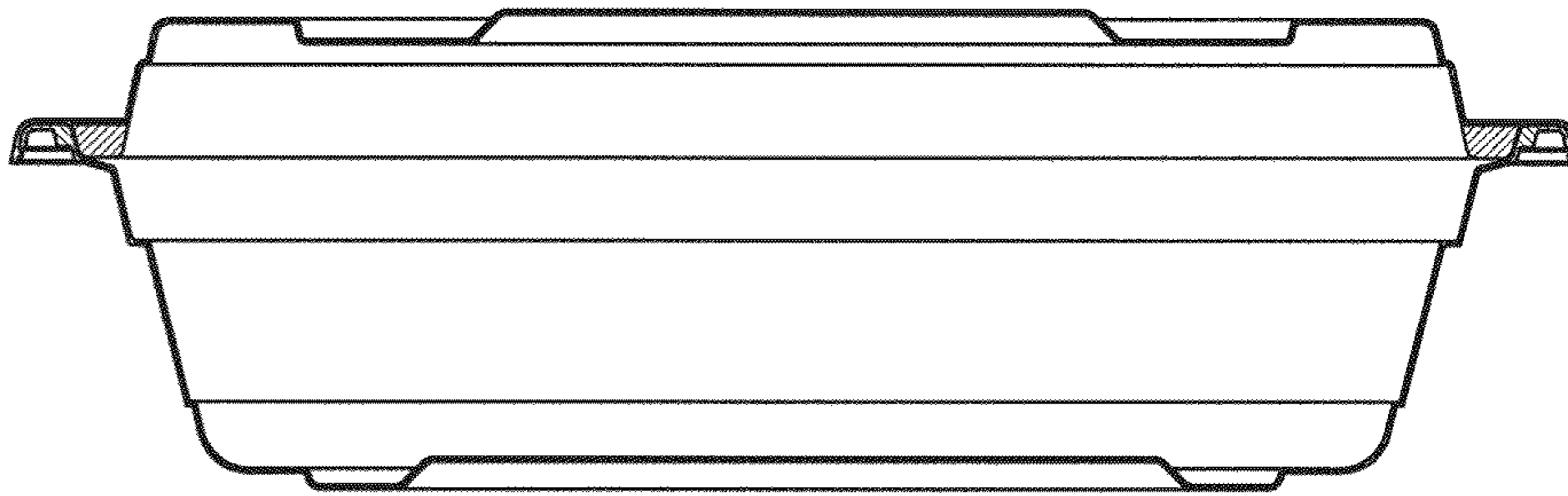


FIG. 7