



US00D730726S

(12) **United States Design Patent**
Astorga

(10) **Patent No.:** **US D730,726 S**
(45) **Date of Patent:** **** Jun. 2, 2015**

(54) **CONTAINER**

(71) Applicant: **Ricardo Astorga**, Whittier, CA (US)

(72) Inventor: **Ricardo Astorga**, Whittier, CA (US)

(73) Assignee: **Peninsula Packaging, LLC**, Exeter, CA (US)

(**) Term: **14 Years**

(21) Appl. No.: **29/475,090**

(22) Filed: **Nov. 27, 2013**

(51) **LOC (10) Cl.** **09-03**

(52) **U.S. Cl.**
USPC **D9/425**

(58) **Field of Classification Search**
USPC D9/414, 415, 416, 417, 419, 421, 424,
D9/425, 428, 429; D7/318, 319, 619.1,
D7/629; 229/400-406, 906.1;
220/656-659, 669-675, 912,
220/4.21-4.27; 206/553, 557, 541, 775,
206/776, 217
CPC A47J 36/06; A47J 47/14; B65D 1/165;
B65D 15/08; B65D 21/083; B65D 21/0234;
B65D 43/162; B65D 71/50; B65D 77/24;
B65D 81/3869; B65D 2543/00046; B65D
2543/00055; B65D 2543/00083; B65D
2543/00092; B65D 2543/00296
See application file for complete search history.

3,786,982 A 1/1974 Rakes et al.
3,933,296 A 1/1976 Ruskin et al.
D272,595 S * 2/1984 Chase et al. D7/629
4,494,650 A 1/1985 Cullen
4,512,474 A 4/1985 Harding
4,576,330 A 3/1986 Schepp
4,593,816 A 6/1986 Langenbeck
4,886,204 A 12/1989 Kalmanides
4,892,220 A 1/1990 Foos
5,012,928 A 5/1991 Proffitt et al.
D318,420 S 7/1991 Amelse
5,031,774 A 7/1991 Morris et al.
5,046,659 A 9/1991 Warburton
5,071,026 A 12/1991 Apps
5,092,479 A 3/1992 Wells
5,156,267 A 10/1992 Yates, Jr. et al.
5,169,014 A 12/1992 Hexamer
D343,576 S 1/1994 Krupa
5,377,860 A * 1/1995 Littlejohn et al. 220/790
D361,035 S 8/1995 Krupa
D361,036 S 8/1995 Krupa
5,456,379 A 10/1995 Krupa et al.
D363,879 S 11/1995 Krupa et al.
5,497,894 A 3/1996 Krupa et al.

(Continued)

Primary Examiner — Karen S Acker
Assistant Examiner — Wendy Arminio
(74) *Attorney, Agent, or Firm* — Loza & Loza, LLP; Heidi L. Eisenhut

(57) **CLAIM**
The ornamental design for a container, as shown and described.

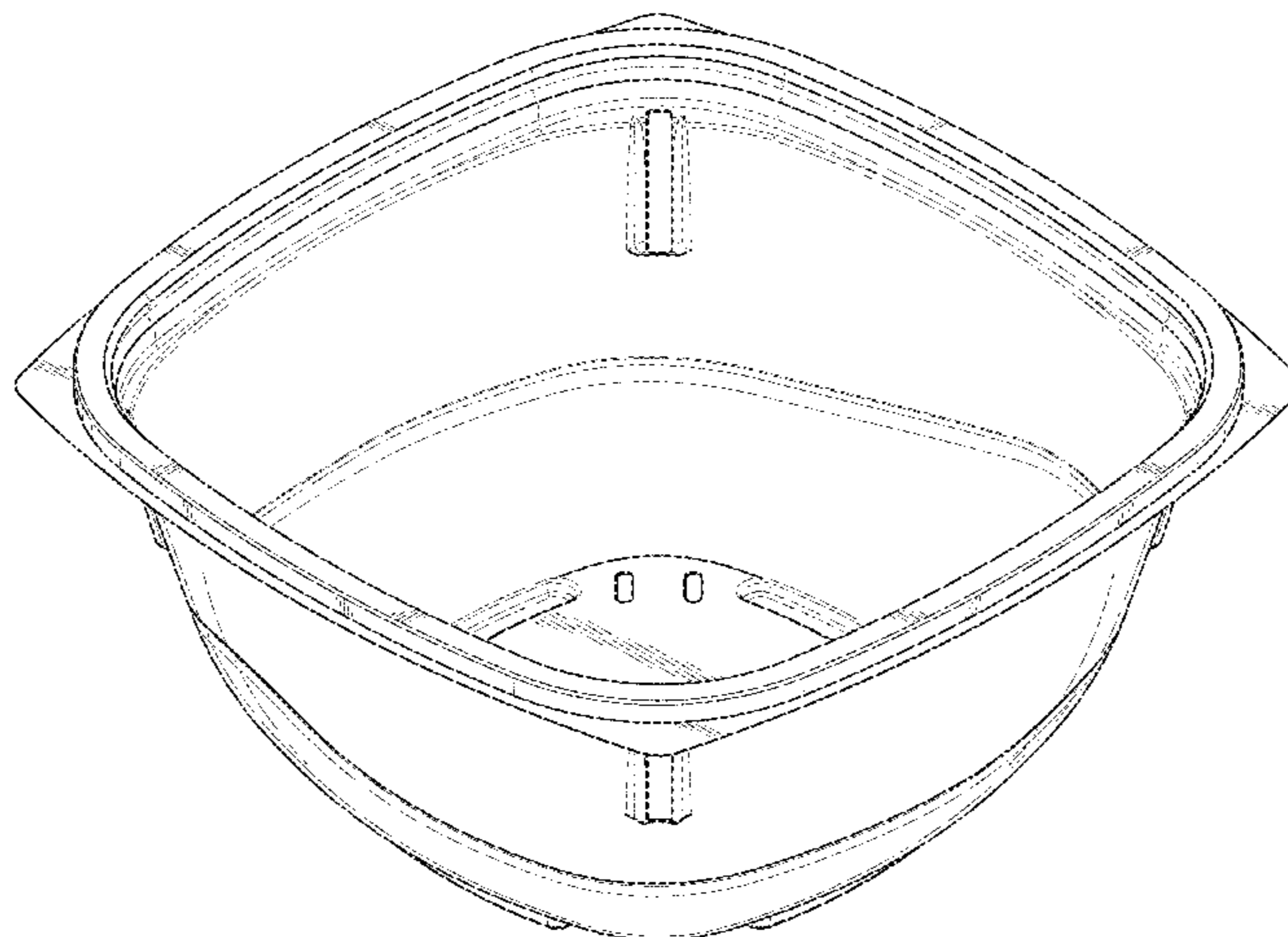
DESCRIPTION

FIG. 1 is a top perspective view of a container of the present invention;
FIG. 2 is a front elevational view thereof;
FIG. 3 is a back elevational view thereof;
FIG. 4 is a right side elevational view thereof;
FIG. 5 is a left side elevational view thereof;
FIG. 6 is a top plan view thereof; and,
FIG. 7 is a bottom plan view thereof.

1 Claim, 7 Drawing Sheets

(56) **References Cited**
U.S. PATENT DOCUMENTS

2,939,603 A 6/1960 Young
3,351,227 A 11/1967 Collie
3,351,270 A 11/1967 Hohnjec
3,356,277 A 12/1967 Hohnjec
3,396,867 A 8/1968 Garriga
3,412,889 A * 11/1968 Eicholtz et al. 220/788
3,416,690 A 12/1968 Michael
3,421,682 A 1/1969 Eisenbach
3,655,110 A 4/1972 Eisenbach



(56)

References Cited

U.S. PATENT DOCUMENTS

5,515,993 A	5/1996	McManus	
5,584,408 A	12/1996	Orkisz	
D378,192 S	2/1997	Krupa et al.	
D382,112 S	8/1997	Egan	
D382,795 S	8/1997	Abayhan et al.	
5,653,345 A	8/1997	Knoss et al.	
5,711,978 A	1/1998	Breen et al.	
5,758,791 A	6/1998	Mangla	
5,833,116 A	11/1998	Guillin	
5,860,549 A	1/1999	Allers et al.	
D409,485 S	5/1999	Christy, Jr.	
5,979,687 A	11/1999	Hayes et al.	
5,992,628 A	11/1999	Vermilion et al.	
6,079,554 A	6/2000	Hammitt et al.	
6,085,930 A	7/2000	Curtis	
D438,100 S	2/2001	Cekota	
D451,278 S	12/2001	Cooper	
D467,496 S	12/2002	Hayes et al.	
6,508,395 B2	1/2003	McLeod	
6,588,612 B1	7/2003	Dorn et al.	
D478,282 S	8/2003	Hayes et al.	
6,644,494 B2	11/2003	Hayes et al.	
6,666,348 B2	12/2003	Fore et al.	
D490,278 S *	5/2004	Welsh	D7/629
D493,672 S *	8/2004	Jalet et al.	D7/586
6,845,878 B2	1/2005	Hayes et al.	
D506,147 S	6/2005	Hall	
D509,106 S *	9/2005	de Groote et al.	D7/587
D514,389 S *	2/2006	Luna et al.	D7/602
D531,802 S *	11/2006	Zimmerman	D3/302
7,204,388 B2	4/2007	Galland et al.	
D544,755 S *	6/2007	Diesman	D7/602
7,243,813 B2	7/2007	Krueger	
7,246,714 B2	7/2007	Garg et al.	
7,255,231 B2	8/2007	Andrews et al.	
D566,483 S *	4/2008	Tucker et al.	D7/629
D569,243 S	5/2008	Kidd et al.	
D579,326 S	10/2008	Chen	
7,441,672 B2	10/2008	Cadiente et al.	
7,472,799 B2	1/2009	Cadiente et al.	
D591,148 S *	4/2009	Parikh et al.	D9/425
7,597,206 B2	10/2009	Atkins et al.	
D604,604 S	11/2009	Strange	
D606,811 S *	12/2009	Furlong	D7/602
D607,282 S *	1/2010	Furlong	D7/602
D621,222 S *	8/2010	Heiberg et al.	D7/587
7,784,615 B2	8/2010	Stahl	
7,819,279 B2	10/2010	Galland et al.	
7,866,502 B2 *	1/2011	Maxwell	220/366.1
D678,050 S *	3/2013	Birchmeier et al.	D9/424
D688,941 S *	9/2013	Sifuentes et al.	D9/432
D696,938 S *	1/2014	BeVier et al.	D9/429
D720,990 S *	1/2015	Jacobs et al.	D9/435
D723,339 S *	3/2015	Maxwell et al.	D7/629
D723,340 S *	3/2015	Maxwell et al.	D7/629
2003/0052133 A1	3/2003	Hayes et al.	
2003/0152670 A1	8/2003	Shih	
2003/0192888 A1	10/2003	Chang	
2003/0198714 A1	10/2003	Cadiente et al.	
2005/0040068 A1	2/2005	Palder	
2005/0167317 A1	8/2005	Barrett et al.	
2005/0247709 A1	11/2005	Atkins et al.	
2006/0289550 A1	12/2006	Guardigli	
2007/0045631 A1	3/2007	Endo et al.	
2007/0095848 A1	5/2007	Galland et al.	
2008/0000800 A1	1/2008	LaMarche et al.	
2008/0023472 A1	1/2008	Brandt	
2008/0135556 A1	6/2008	Bontrager et al.	
2009/0065514 A1	3/2009	Vovan	
2009/0134179 A1	5/2009	Kidd et al.	
2009/0134180 A1	5/2009	Kidd et al.	
2009/0223966 A1	9/2009	Kidd et al.	

* cited by examiner

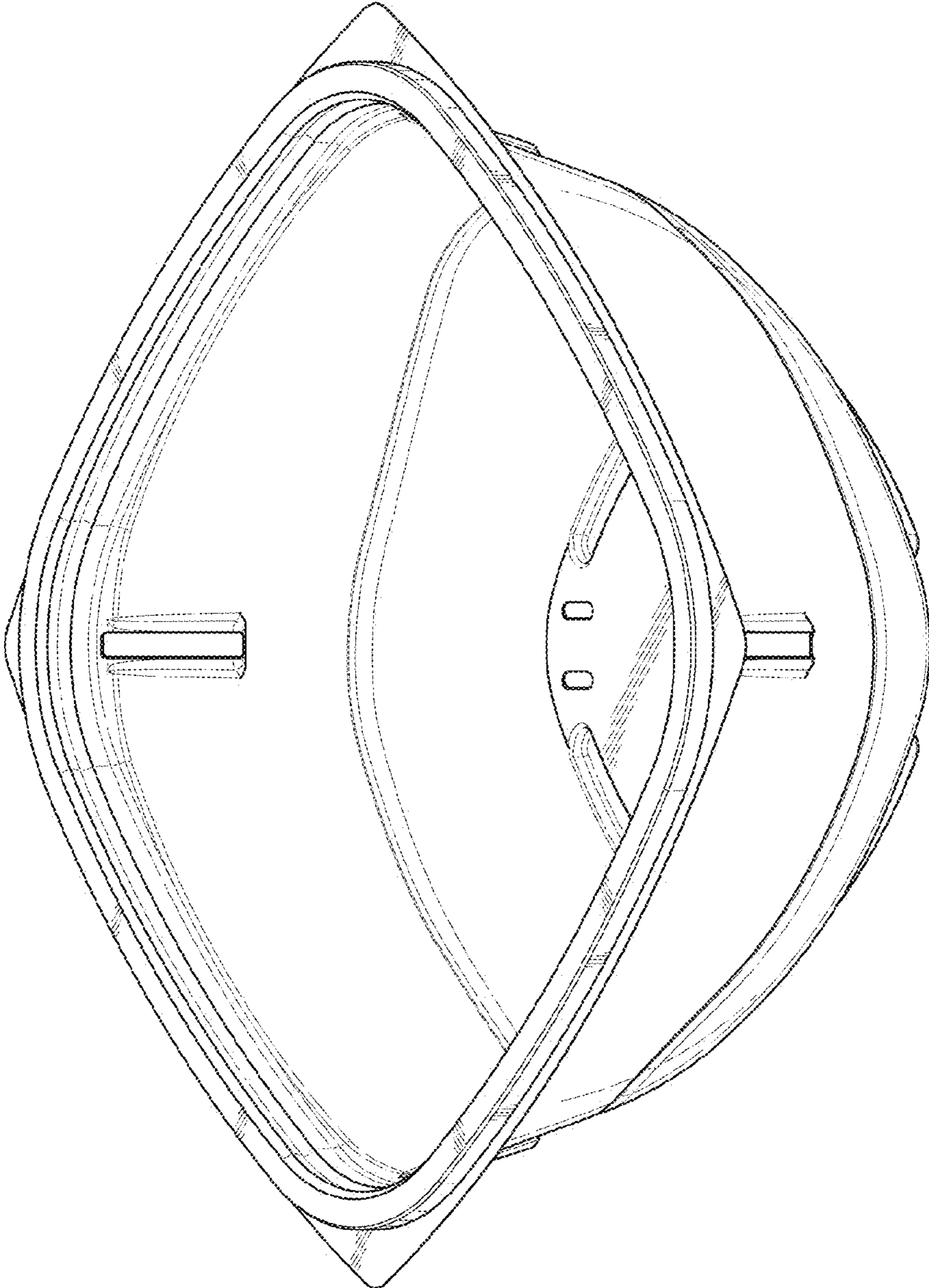


FIG. 1

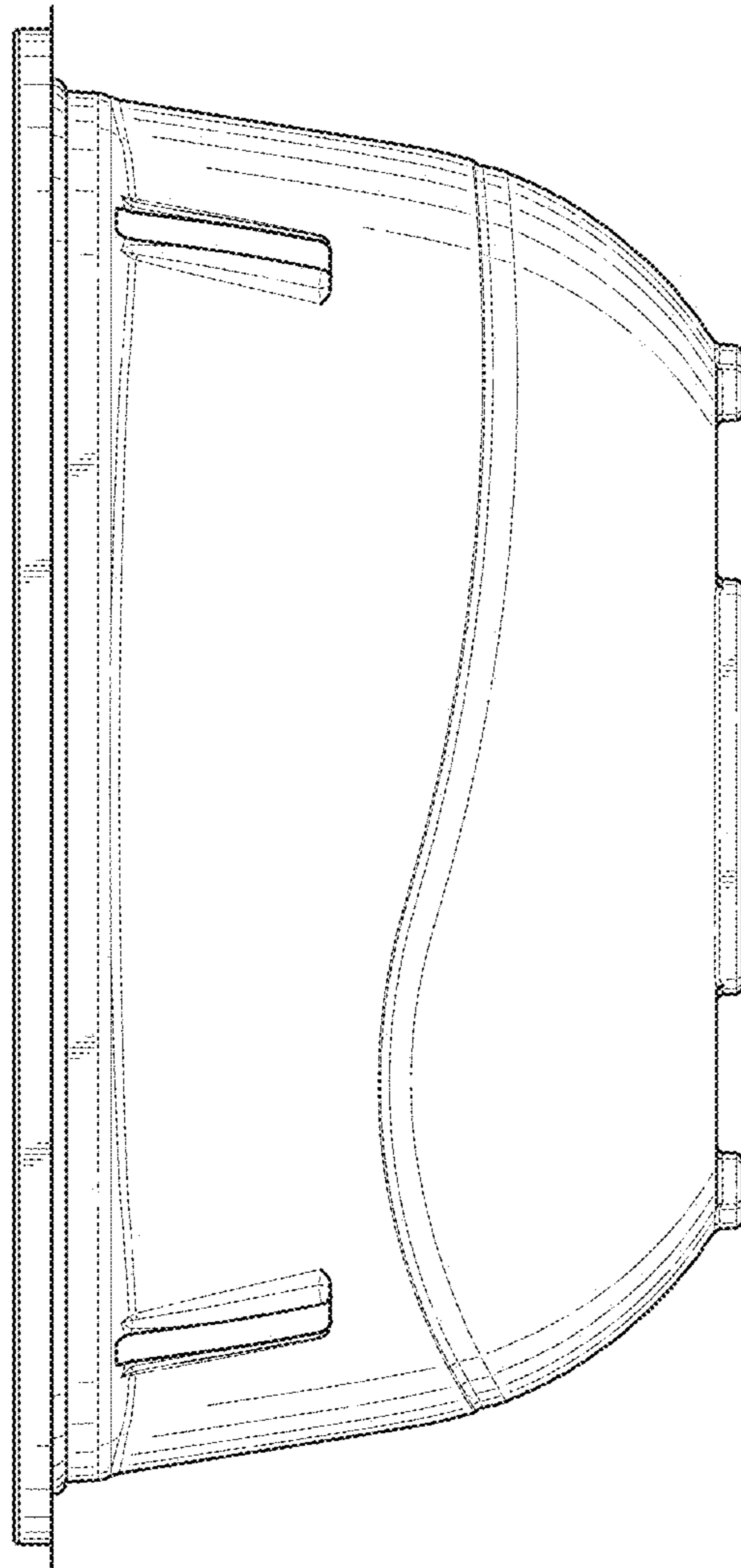


FIG. 2

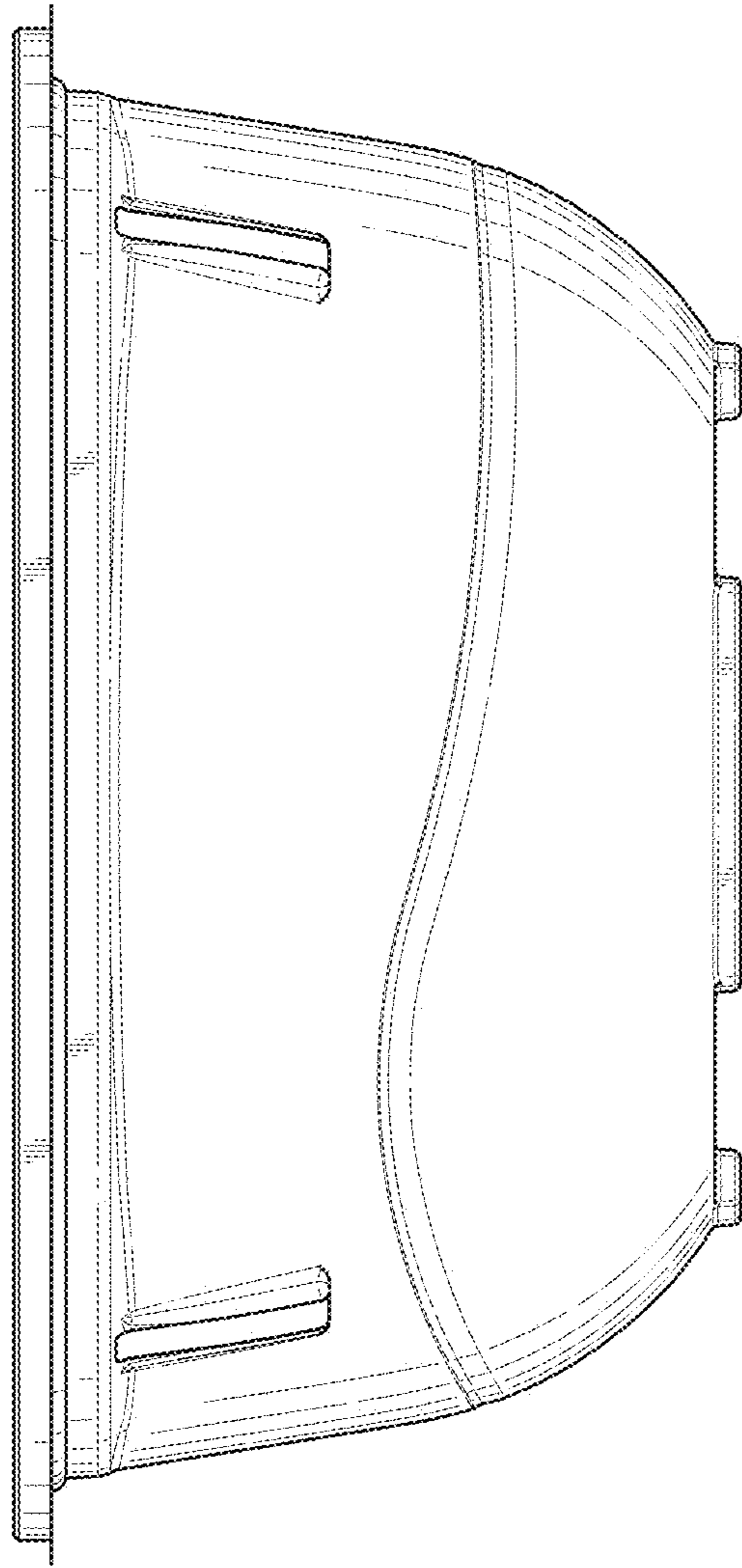


FIG. 3

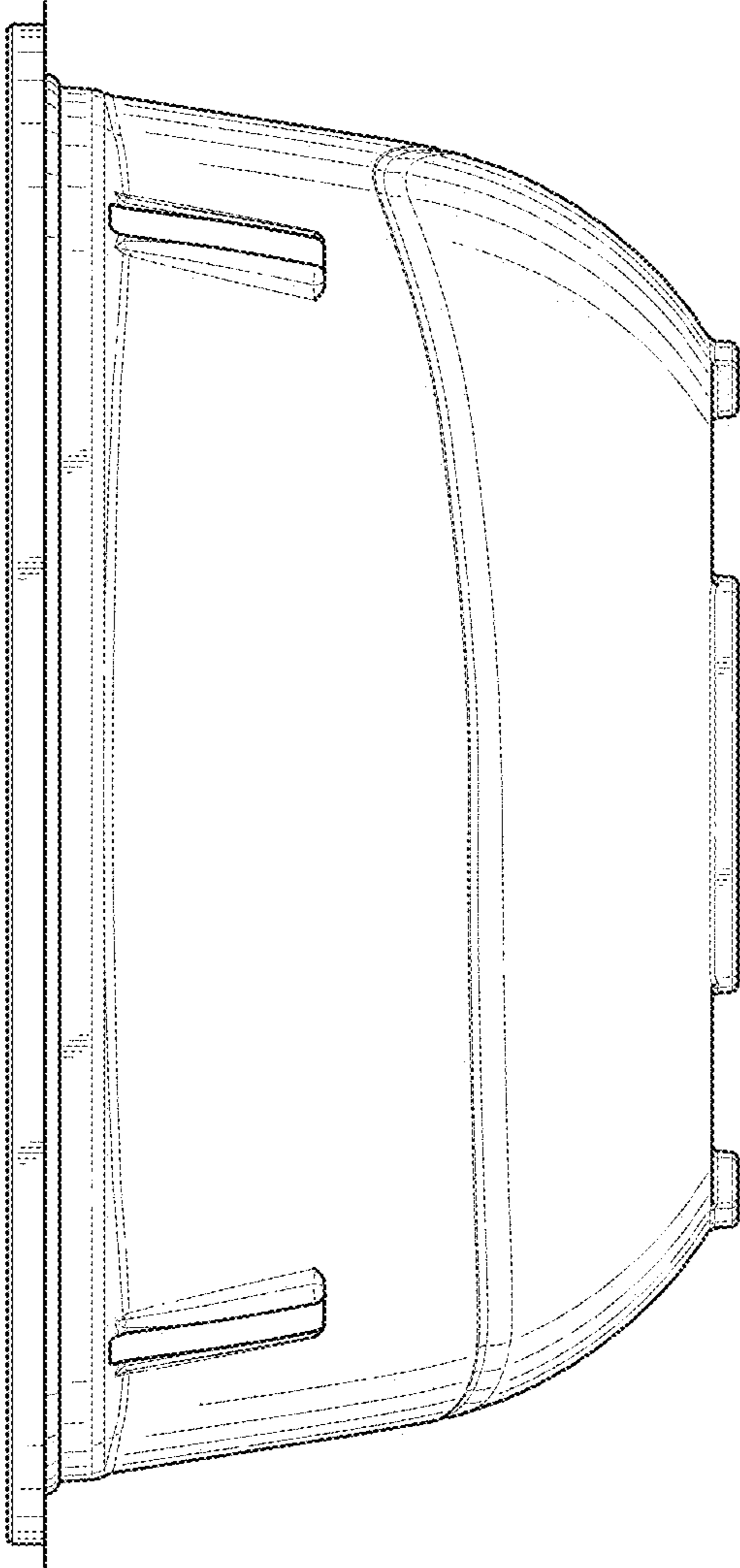


FIG. 4

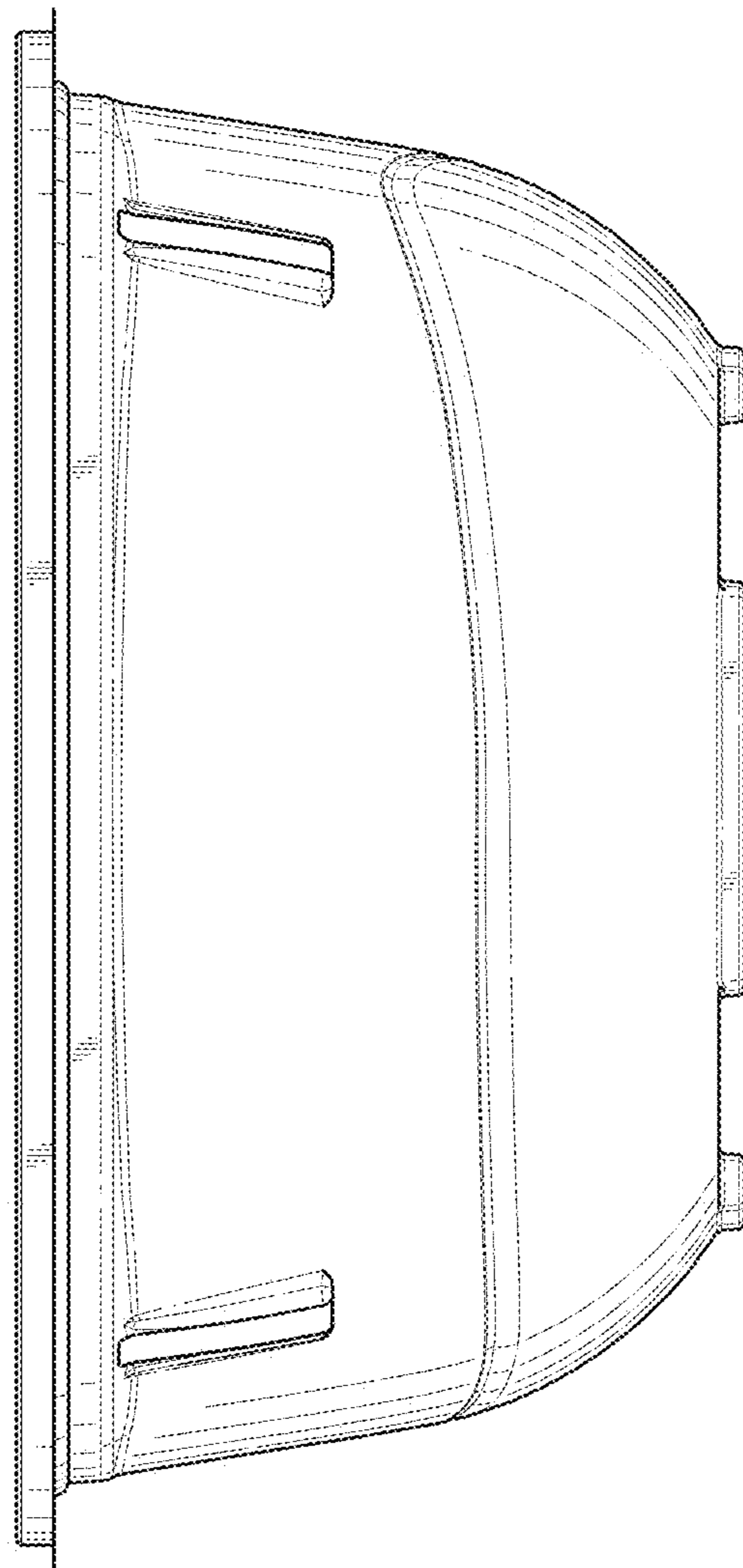


FIG. 5

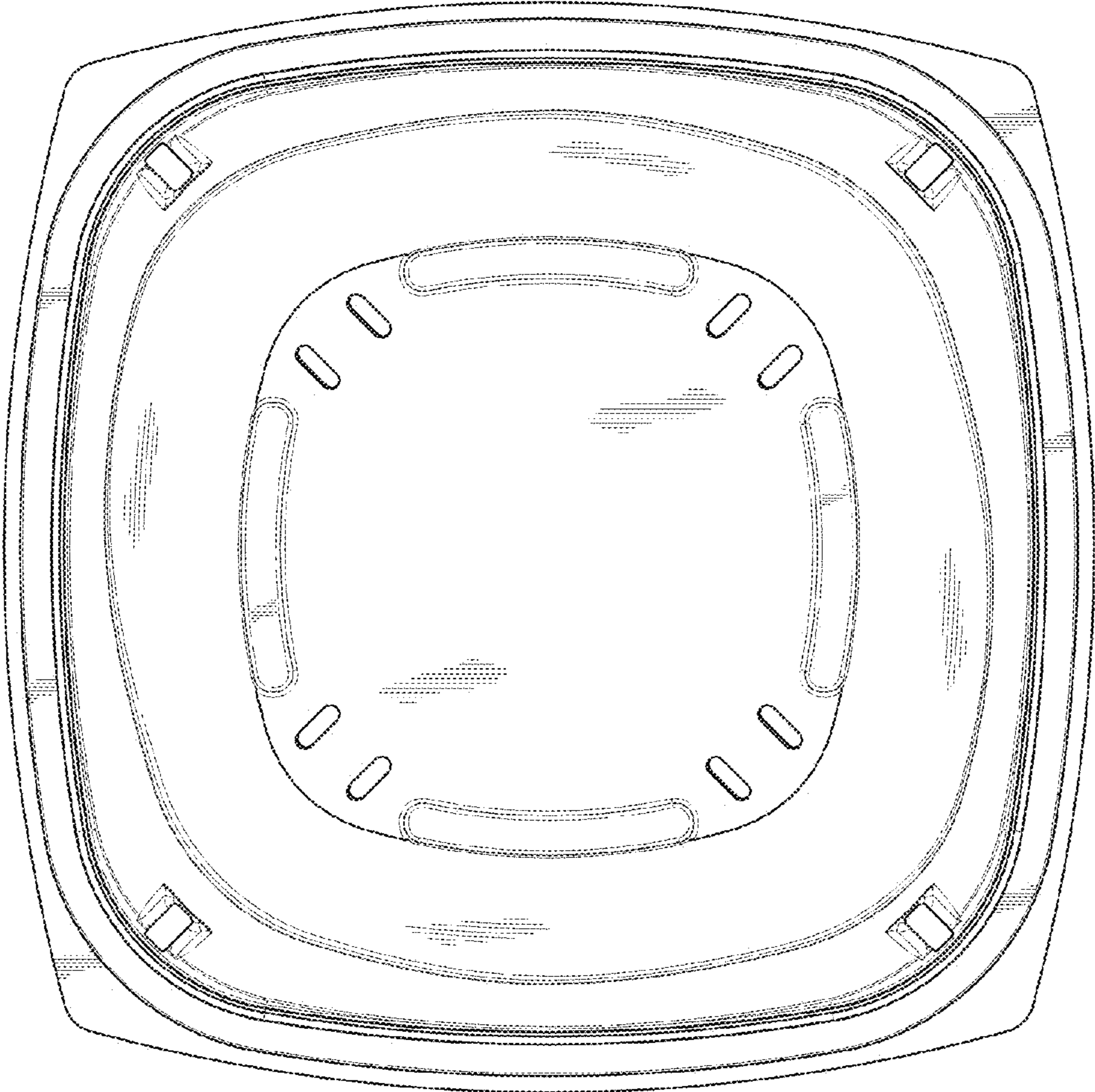


FIG. 6

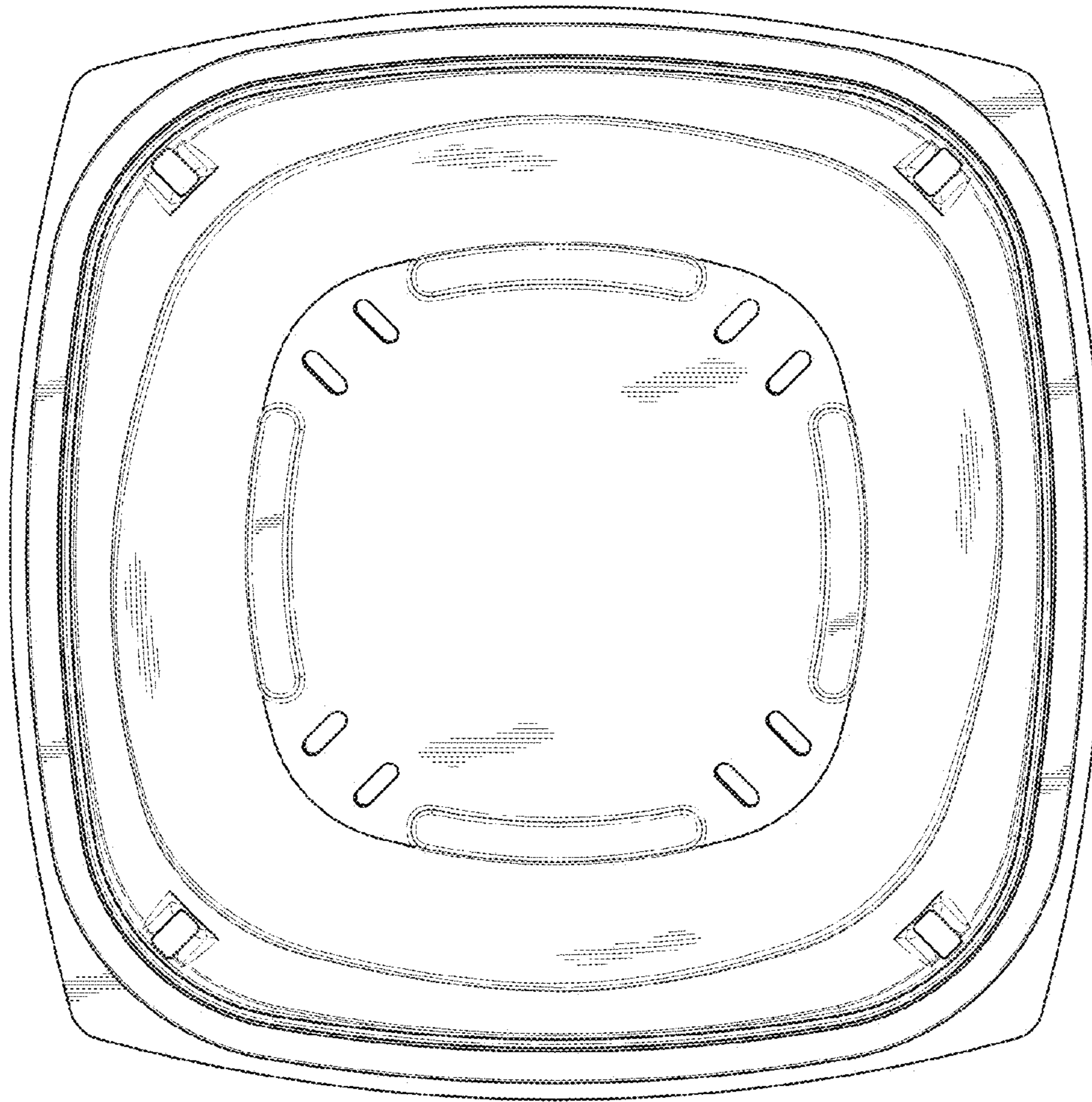


FIG. 7