

US00D730723S

(12) **United States Design Patent**  
**McSweyn et al.**

(10) **Patent No.:** **US D730,723 S**

(45) **Date of Patent:** **\*\* Jun. 2, 2015**

(54) **MAGNETIC MOUNTING SYSTEM WITH  
BASE UNIT**

(56) **References Cited**

U.S. PATENT DOCUMENTS

- (71) Applicant: **SCOSCHE INDUSTRIES, INC.**,  
Oxnard, CA (US)
- (72) Inventors: **Christopher Michael McSweyn**,  
Oxnard, CA (US); **Vince Alves**, Oxnard,  
CA (US); **Mark Larson**, Camarillo, CA  
(US)
- (73) Assignee: **Scosche Industries, Inc.**, Oxnard, CA  
(US)

D530,333	S	*	10/2006	Richter	.....	D14/447
D552,454	S	*	10/2007	Fynn	.....	D8/363
D563,309	S	*	3/2008	Richter	.....	D12/415
D570,836	S	*	6/2008	Chen	.....	D14/253
D576,865	S	*	9/2008	Chiang et al.	.....	D8/349
D590,835	S	*	4/2009	Richter	.....	D14/447
D603,322	S	*	11/2009	Nicieja	.....	D12/415
D638,008	S	*	5/2011	Richter	.....	D14/253
D670,157	S	*	11/2012	Mo	.....	D8/363
D709,072	S	*	7/2014	Askew-Harris et al.	.....	D14/447
D713,398	S	*	9/2014	Alesi et al.	.....	D14/253
D715,132	S	*	10/2014	McSweyn et al.	.....	D8/363
2014/0346295	A1	*	11/2014	Song	.....	248/205.8

\* cited by examiner

*Primary Examiner* — Sheryl Lane

*Assistant Examiner* — Ieisha Price

(74) *Attorney, Agent, or Firm* — Stetina Brunda Garred & Brucker

- (\*\*) Term: **14 Years**
- (21) Appl. No.: **29/506,082**
- (22) Filed: **Oct. 13, 2014**

**Related U.S. Application Data**

- (63) Continuation of application No. 29/476,364, filed on  
Dec. 12, 2013, now Pat. No. Des. 715,132.
- (51) **LOC (10) Cl.** ..... **08-05**
- (52) **U.S. Cl.**  
USPC ..... **D8/363**
- (58) **Field of Classification Search**  
USPC ..... D8/14, 349, 354, 355, 373, 380, 499;  
D14/217, 251, 253, 451, 452, 447;  
224/484, 486, 0.5, 929; 248/682, 683,  
248/688; D12/415

See application file for complete search history.

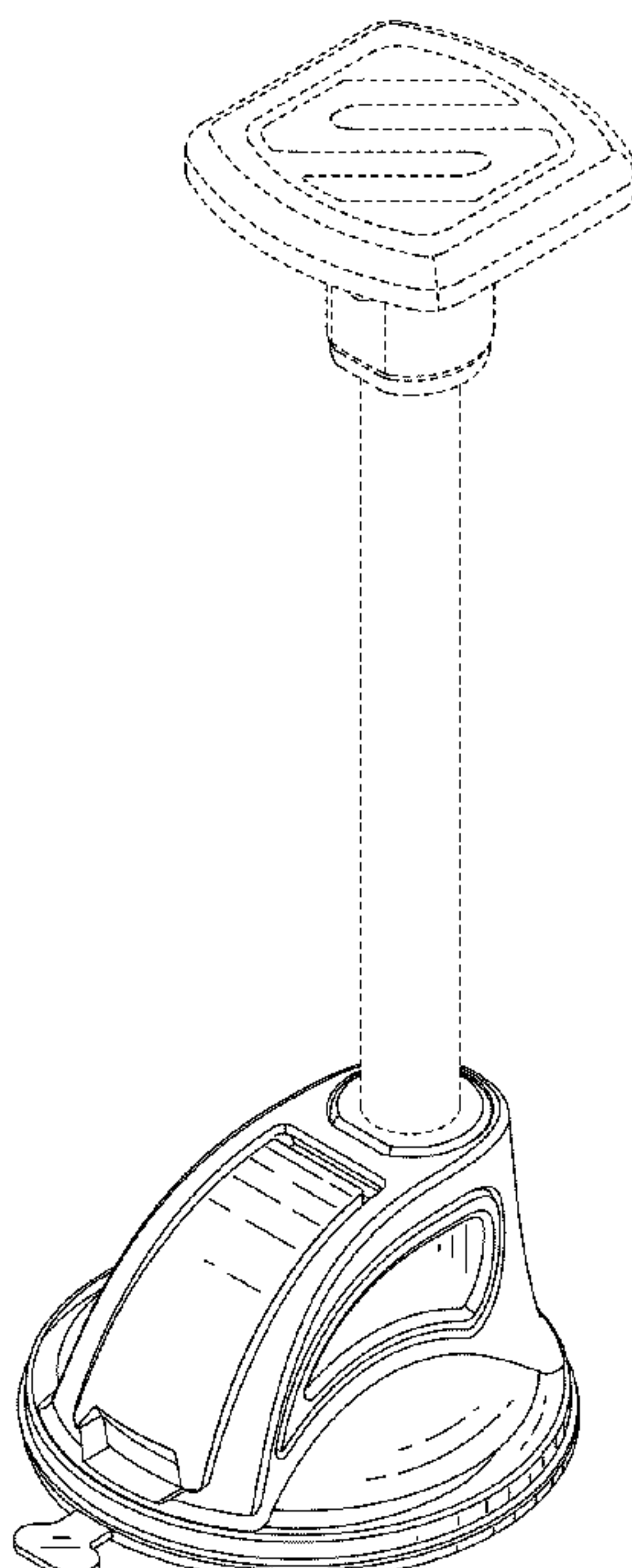
(57) **CLAIM**

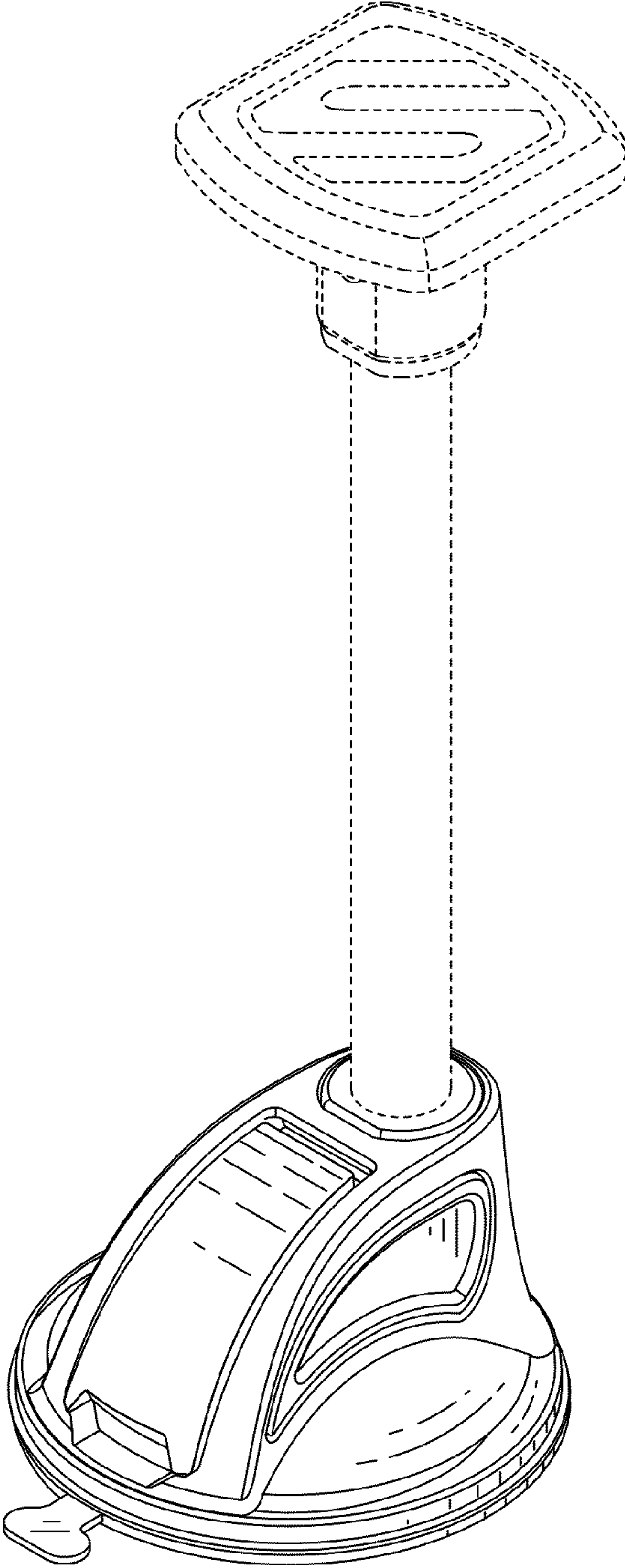
The ornamental design for a magnetic mounting system with base unit, as shown and described.

**DESCRIPTION**

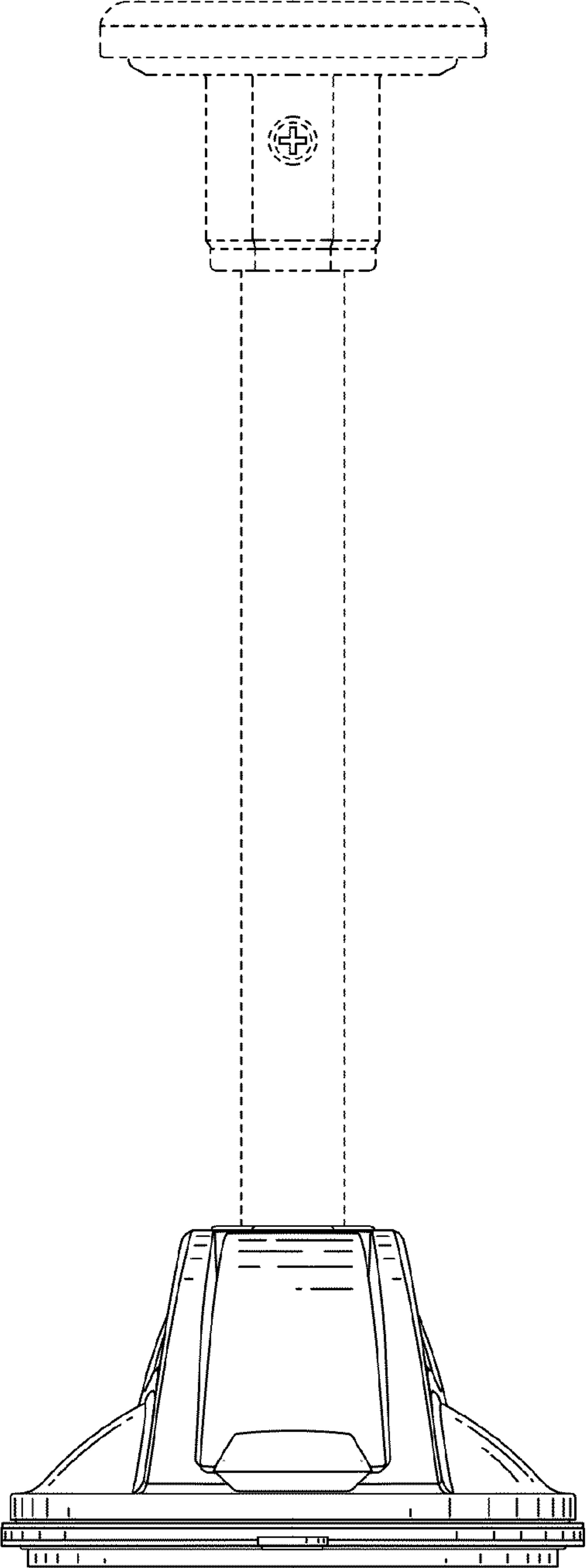
FIG. 1 is a top perspective view showing the magnetic mounting system with base unit of the present invention;  
 FIG. 2 is a front view thereof;  
 FIG. 3 is a left side view thereof;  
 FIG. 4 is a rear view thereof;  
 FIG. 5 is a top plan view thereof; and,  
 FIG. 6 is bottom plan view thereof.  
 The broken lines in the drawings illustrate portions of the magnetic mounting system with base unit and form no part of the claimed design.

**1 Claim, 3 Drawing Sheets**

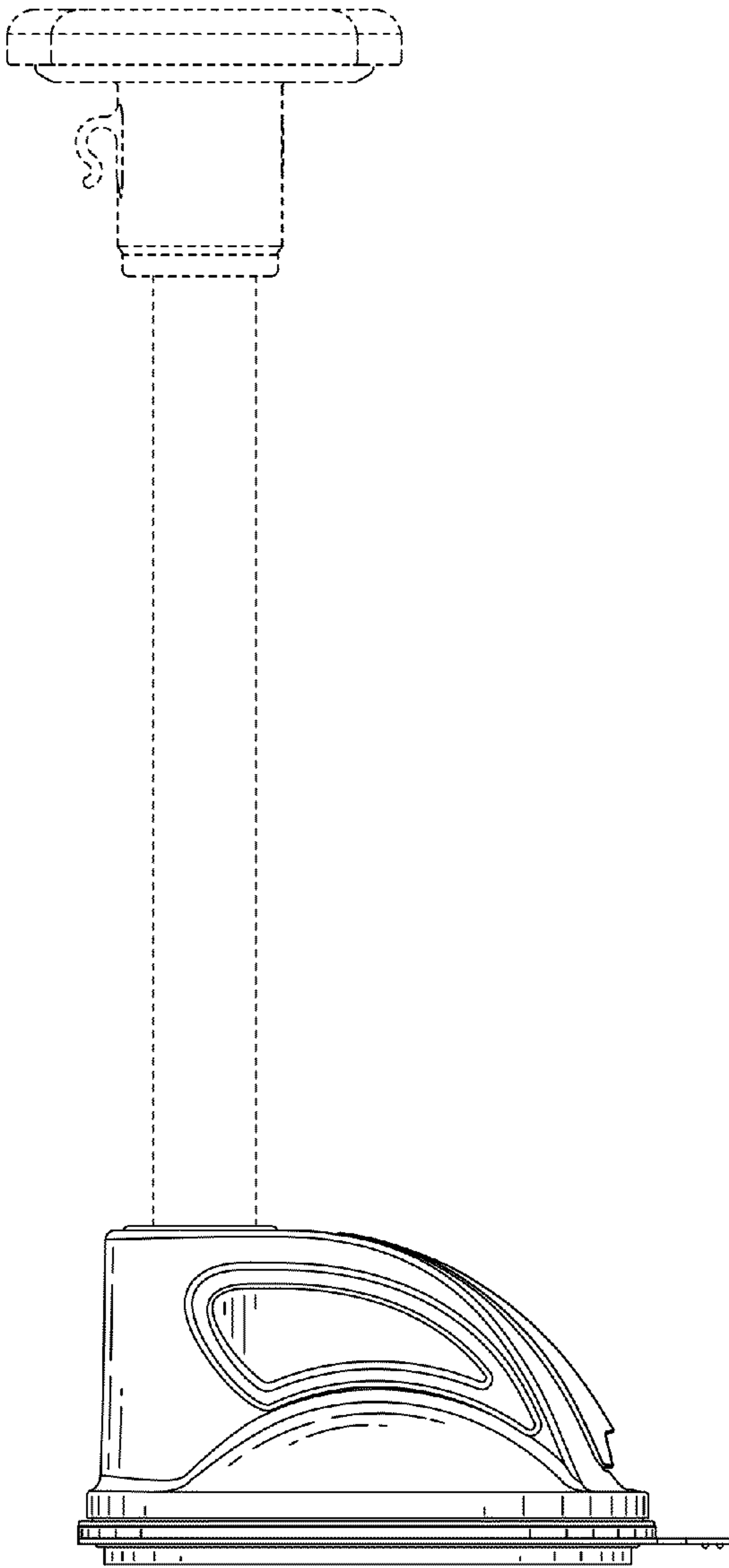




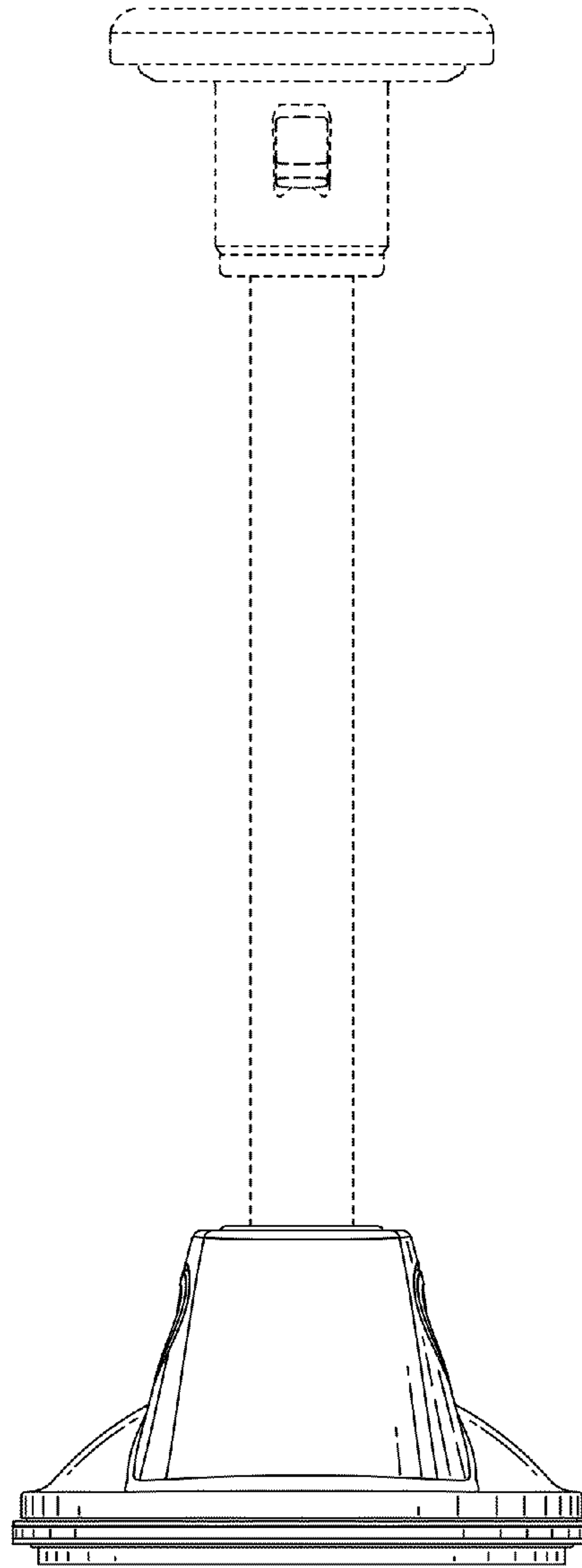
*Fig. 1*



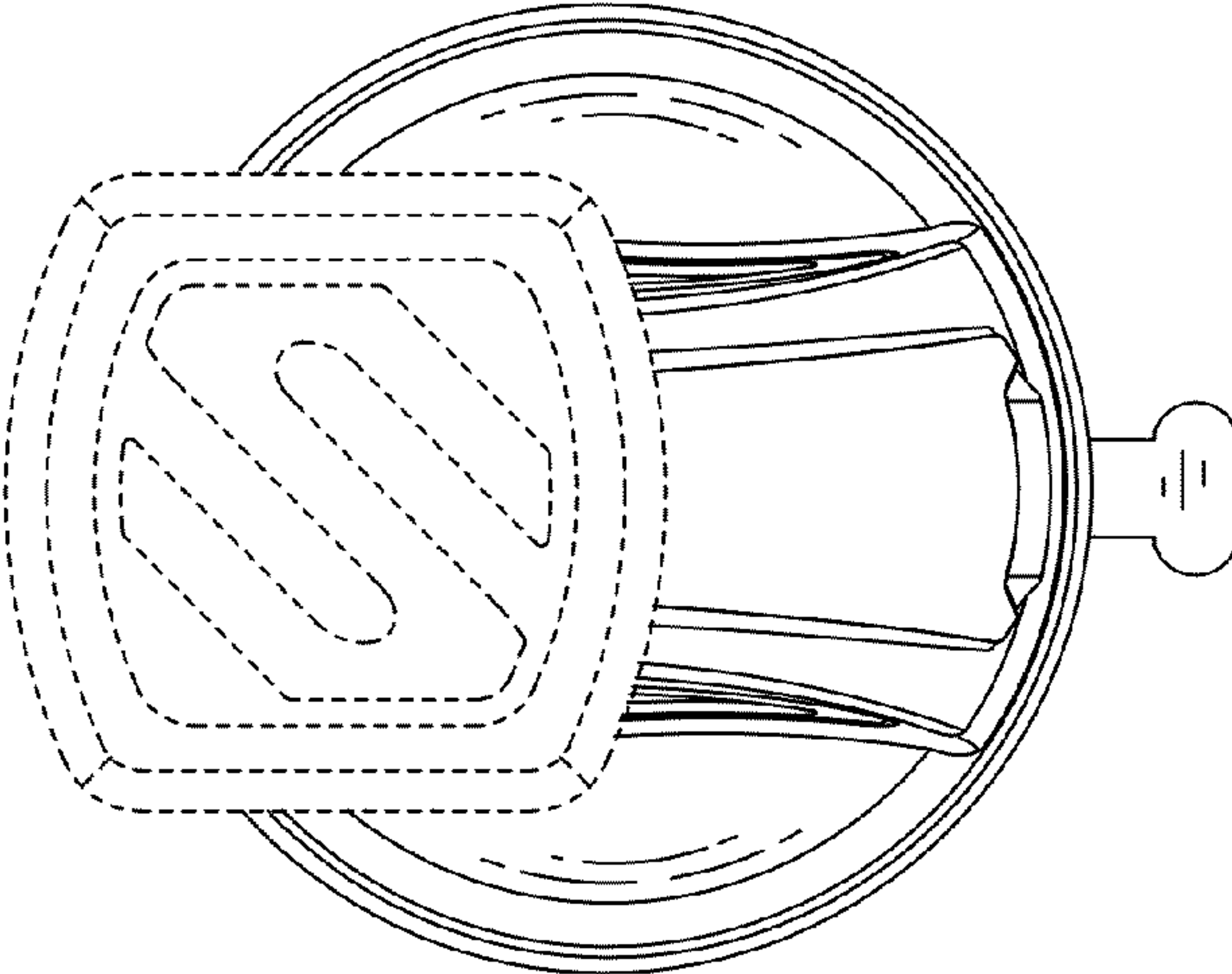
*Fig. 2*



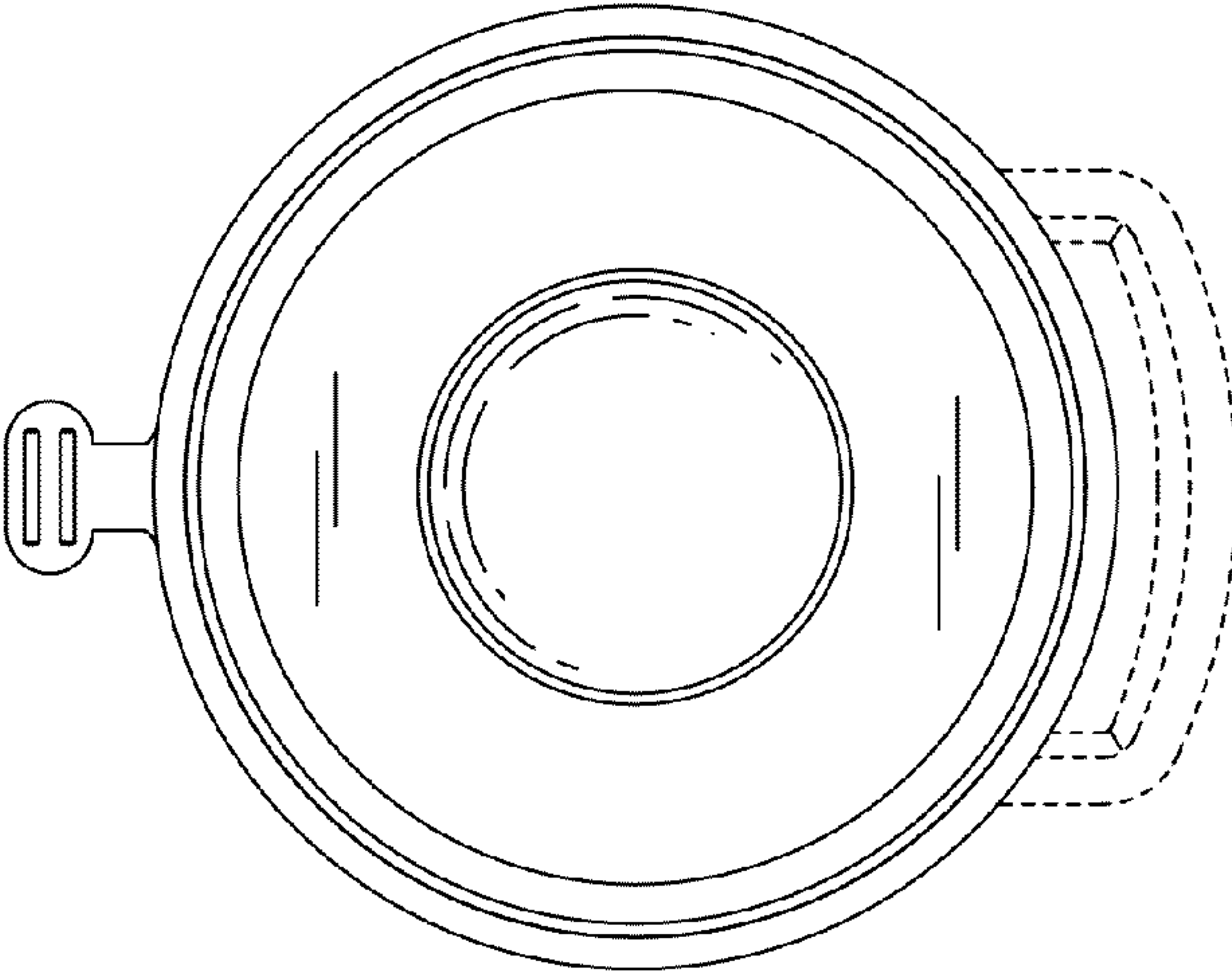
*Fig. 3*



*Fig. 4*



*Fig. 5*



*Fig. 6*