



US00D730721S

(12) **United States Design Patent**  
**Degan**

(10) **Patent No.:** **US D730,721 S**  
(45) **Date of Patent:** **\*\* Jun. 2, 2015**

(54) **CORD COUPLER**

(71) Applicant: **Dane Degan**, Lubbock, TX (US)

(72) Inventor: **Dane Degan**, Lubbock, TX (US)

(\*\*) Term: **14 Years**

(21) Appl. No.: **29/447,778**

(22) Filed: **Mar. 6, 2013**

(51) **LOC (10) Cl.** ..... **08-05**

(52) **U.S. Cl.**  
USPC ..... **D8/356**

(58) **Field of Classification Search**

USPC ..... D8/356, 358, 359, 19, 16, 45; 242/395,  
242/405.3, 405.2, 118.7, 542.4, 160.4, 366,  
242/400, 370, 400.1; D3/24; D15/16;  
D10/61, 62; 33/414, 413; 16/257;  
248/300, 313, 61, 231.81  
CPC ..... H02G 11/02; B65H 75/4476; B65H  
2701/353; B65H 75/241; B65H 75/28; E04G  
21/1825

See application file for complete search history.

(56) **References Cited**

**U.S. PATENT DOCUMENTS**

1,939,086 A \* 12/1933 Shafer, Jr. .... 248/61  
2,379,179 A \* 6/1945 Petersen ..... 52/282.1  
2,809,004 A \* 10/1957 Kaufman et al. .... 248/300  
3,035,803 A \* 5/1962 Miller ..... 248/313  
3,921,253 A \* 11/1975 Nelson ..... 16/257

5,676,486 A \* 10/1997 Keith ..... 403/231  
6,073,896 A \* 6/2000 McFadden ..... 248/231.81  
D449,776 S \* 10/2001 Barnett et al. .... D8/382

\* cited by examiner

*Primary Examiner* — Robert M Spear

*Assistant Examiner* — Eliza Bennett-Hattan

(74) *Attorney, Agent, or Firm* — Braxton, Hilton & Perrone  
PLLC

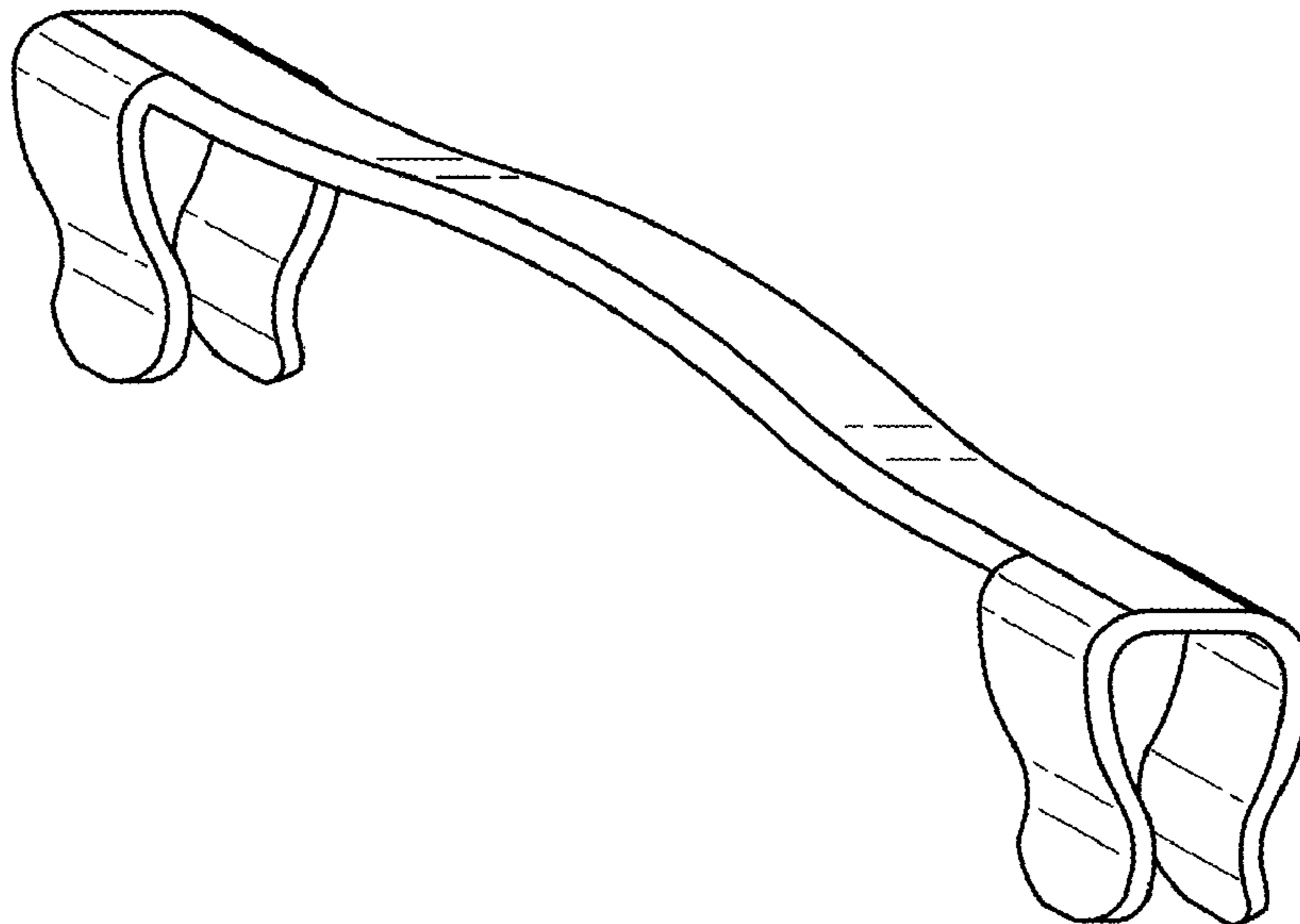
(57) **CLAIM**

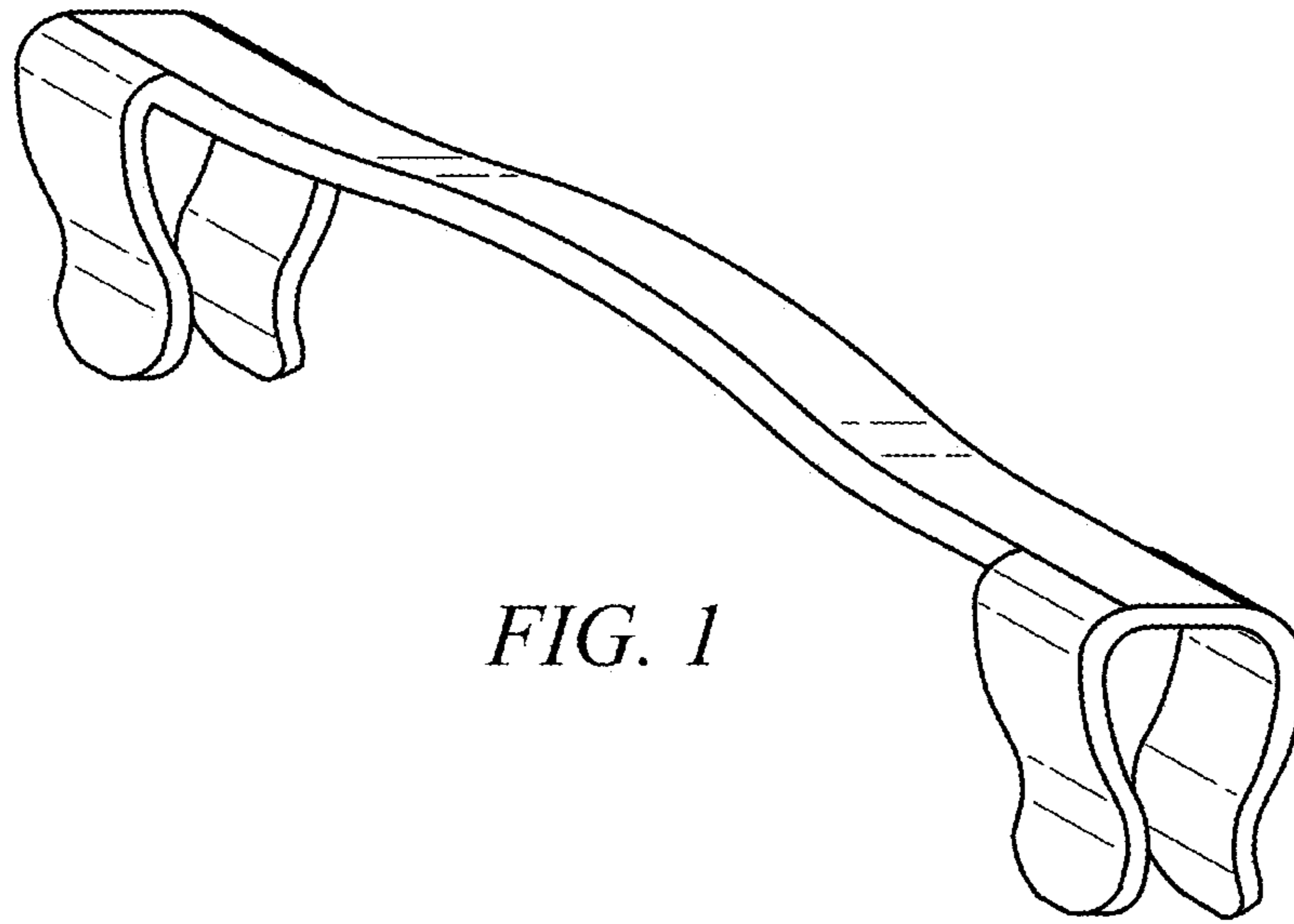
The ornamental design for a cord coupler, as shown and described.

**DESCRIPTION**

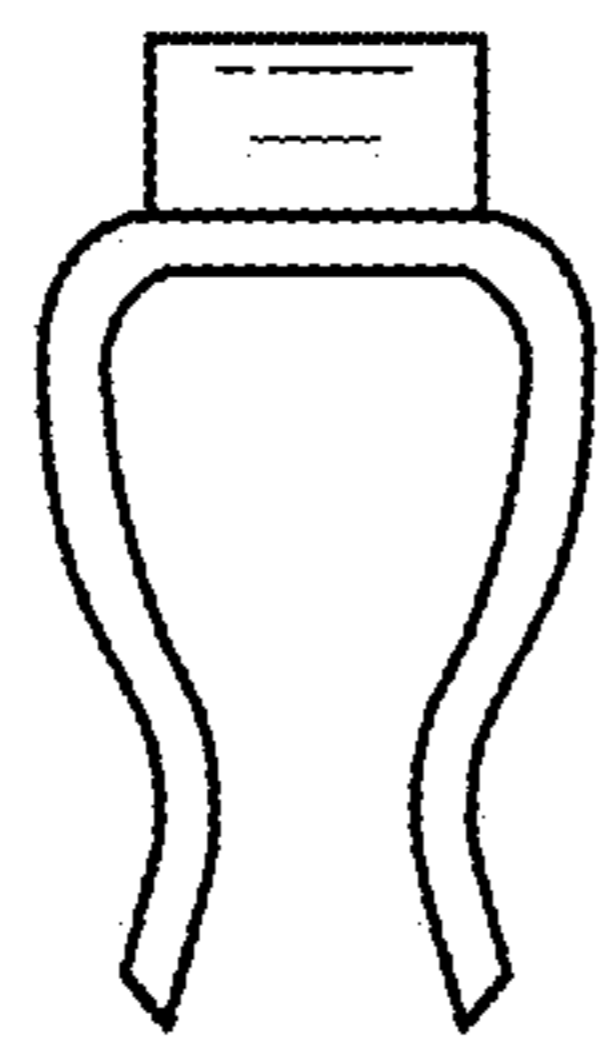
FIG. 1 is a perspective view of the cord coupler;  
FIG. 2 is a front elevation view of the cord coupler;  
FIG. 3 is a rear elevation view of the cord coupler;  
FIG. 4 is a left side elevation view of the cord coupler;  
FIG. 5 is a right side elevation view of the cord coupler;  
FIG. 6 is a top plan view of the cord coupler;  
FIG. 7 is a bottom plan view of the cord coupler;  
FIG. 8 is a perspective view of the cord coupler shown in one environment; and,  
FIG. 9 is a left side elevation view of the cord coupler shown in one environment.  
The broken line showing two electrical cords in FIGS. 8-9 depicts environmental subject matter only and forms no part of the claimed design.

**1 Claim, 3 Drawing Sheets**

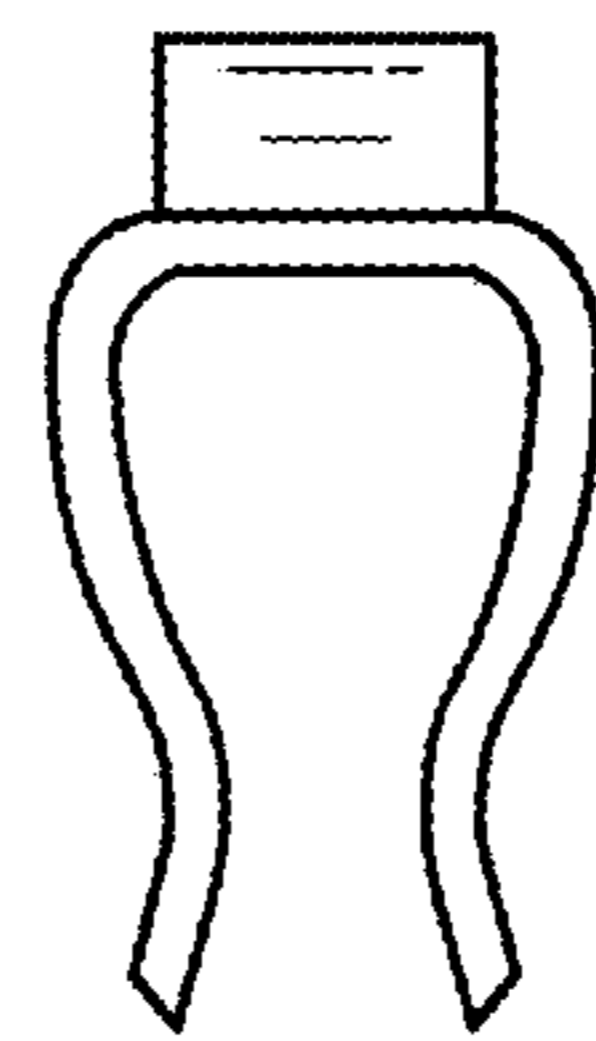




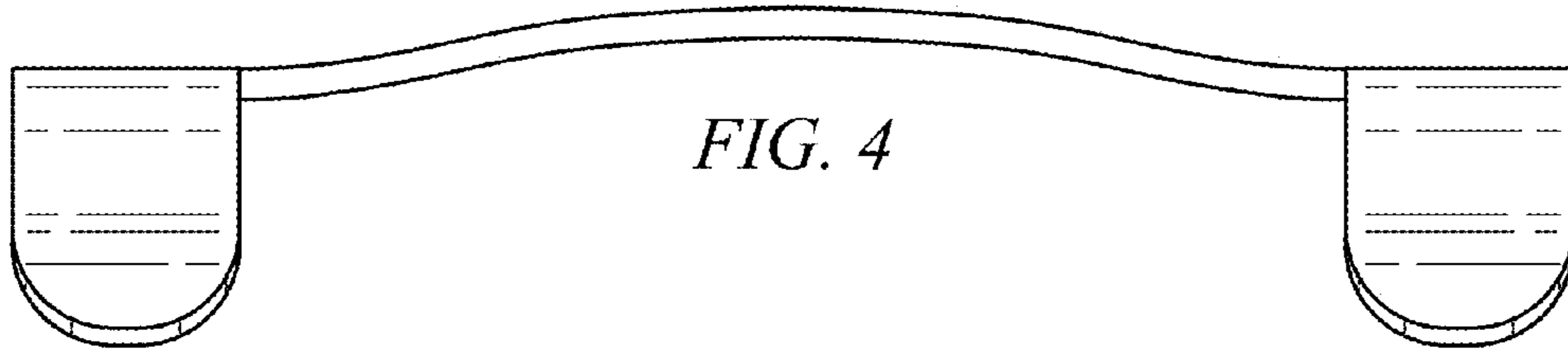
*FIG. 1*



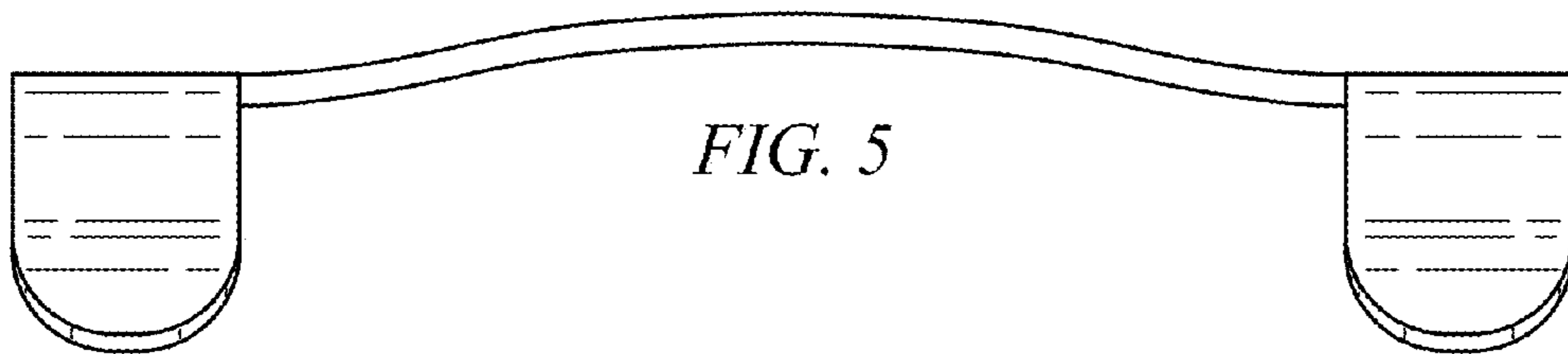
*FIG. 2*



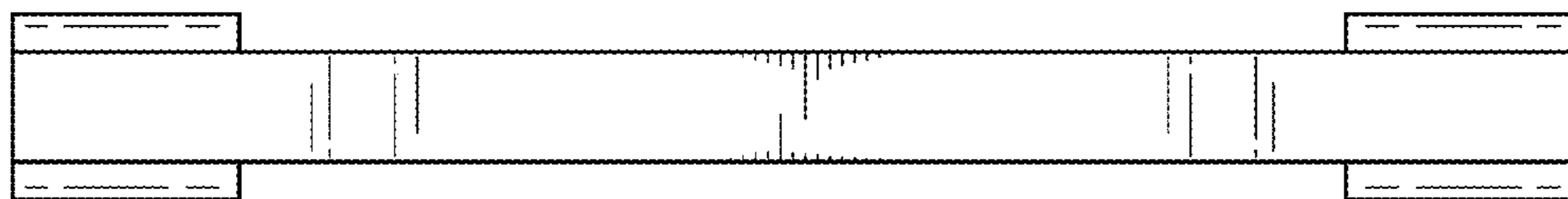
*FIG. 3*



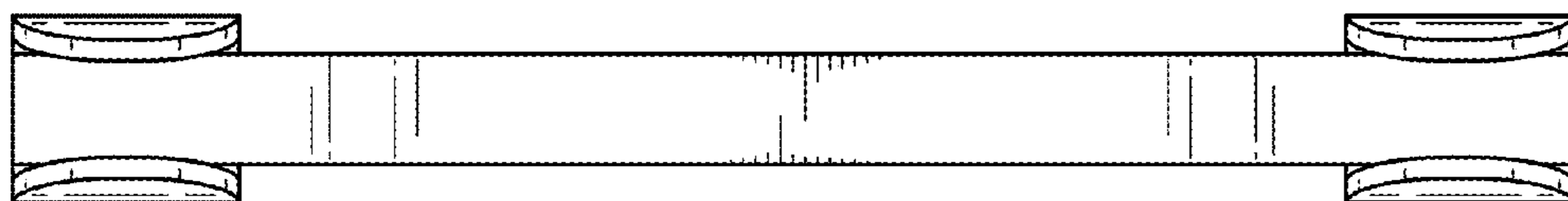
*FIG. 4*



*FIG. 5*



*FIG. 6*



*FIG. 7*

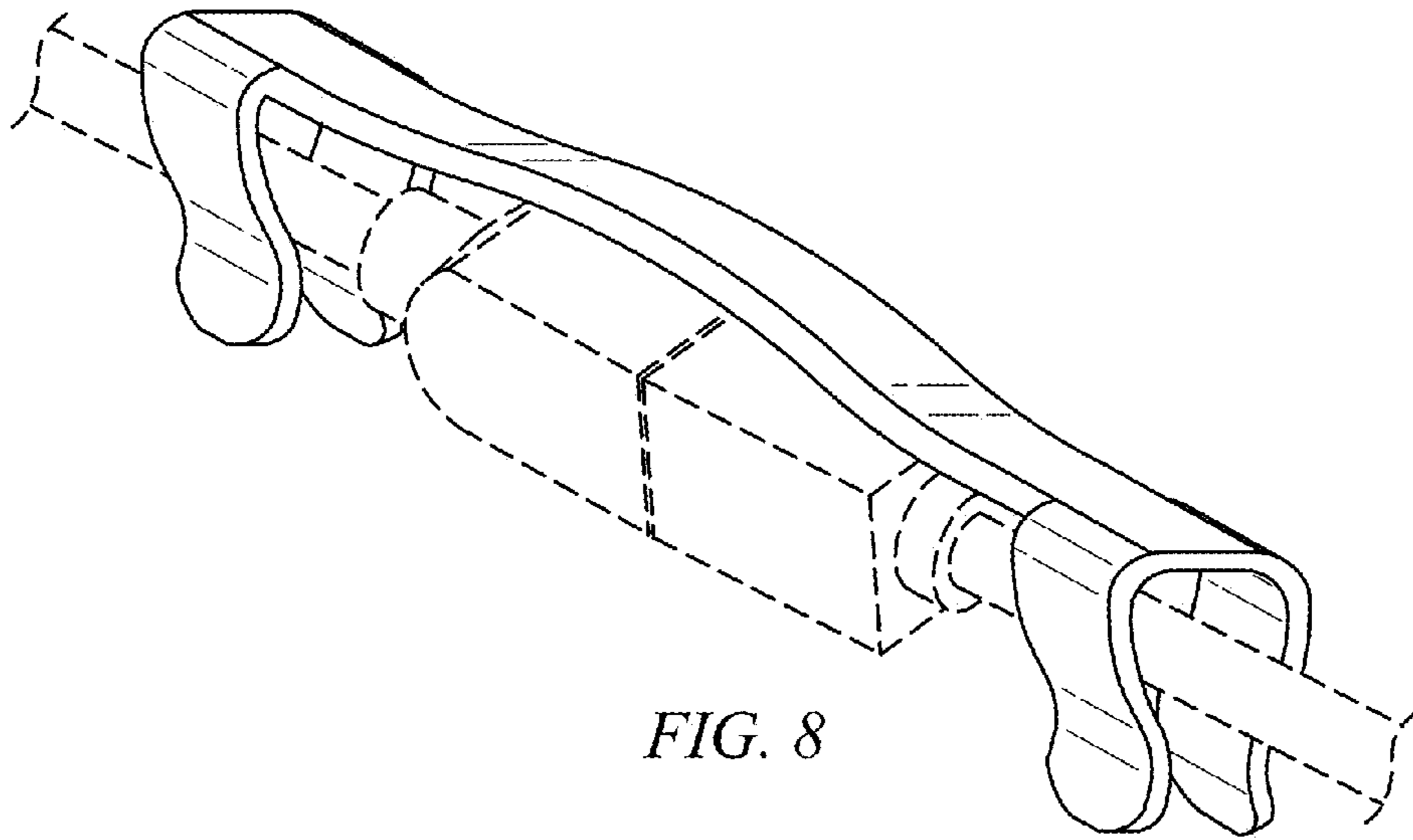


FIG. 8

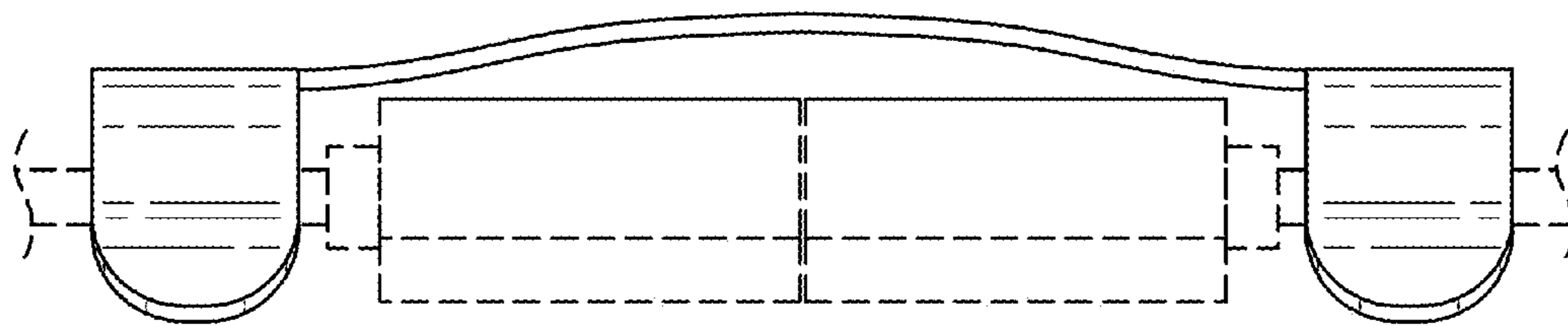


FIG. 9