



US00D730720S

(12) **United States Design Patent**  
**Nowak**

(10) **Patent No.:** **US D730,720 S**

(45) **Date of Patent:** **\*\* Jun. 2, 2015**

(54) **DISPLAY BRACKET**

(75) Inventor: **Witold Nowak**, Harwood Heights, IL (US)

(73) Assignee: **Rapid Displays, Inc.**, Chicago, IL (US)

(\*\*) Term: **14 Years**

(21) Appl. No.: **29/428,224**

(22) Filed: **Jul. 27, 2012**

(51) **LOC (10) Cl.** ..... **08-05**

(52) **U.S. Cl.**  
USPC ..... **D8/355**; D8/381

(58) **Field of Classification Search**  
USPC ..... D8/349, 350, 353, 354, 355, 356, 359,  
D8/366, 367, 373, 374, 381, 394;  
223/85-98; 248/121, 200, 220.2, 229,  
248/271, 300, 309.1; 108/29, 30, 47, 152,  
108/160; D6/315-328, 512, 553, 556, 567  
See application file for complete search history.

(56) **References Cited**

**U.S. PATENT DOCUMENTS**

D7,413 S *	5/1874	Jones	.....	D8/381
D220,100 S *	3/1971	Akin	.....	D22/108
4,018,167 A *	4/1977	Spangler	.....	108/152
D248,274 S *	6/1978	Kingston et al.	.....	D8/354
D274,803 S *	7/1984	Hughes	.....	D12/126
4,660,477 A *	4/1987	Kortering et al.	.....	108/108
4,914,873 A *	4/1990	Newhouse	.....	52/36.1
D312,962 S *	12/1990	Overton	.....	D8/381
D315,494 S *	3/1991	Latham	.....	D8/373
5,116,007 A *	5/1992	Von Gunton et al.	.....	248/243
D329,374 S *	9/1992	Kaga	.....	D8/394
D338,126 S *	8/1993	Callaway	.....	D6/570
D343,569 S *	1/1994	Jeng	.....	D8/381
D367,221 S *	2/1996	Burgasser et al.	.....	D8/381
D422,483 S *	4/2000	Shea	.....	D8/354
D495,588 S *	9/2004	Wurdack	.....	D8/367
D550,540 S *	9/2007	Nawrocki	.....	D8/354
D608,181 S *	1/2010	Koizumi	.....	D8/354
D618,087 S *	6/2010	Stafford et al.	.....	D8/363

(Continued)

*Primary Examiner* — Karen S Acker

*Assistant Examiner* — Bao-Yen Nguyen

(74) *Attorney, Agent, or Firm* — DLA Piper LLP (US); R. Blake Johnston

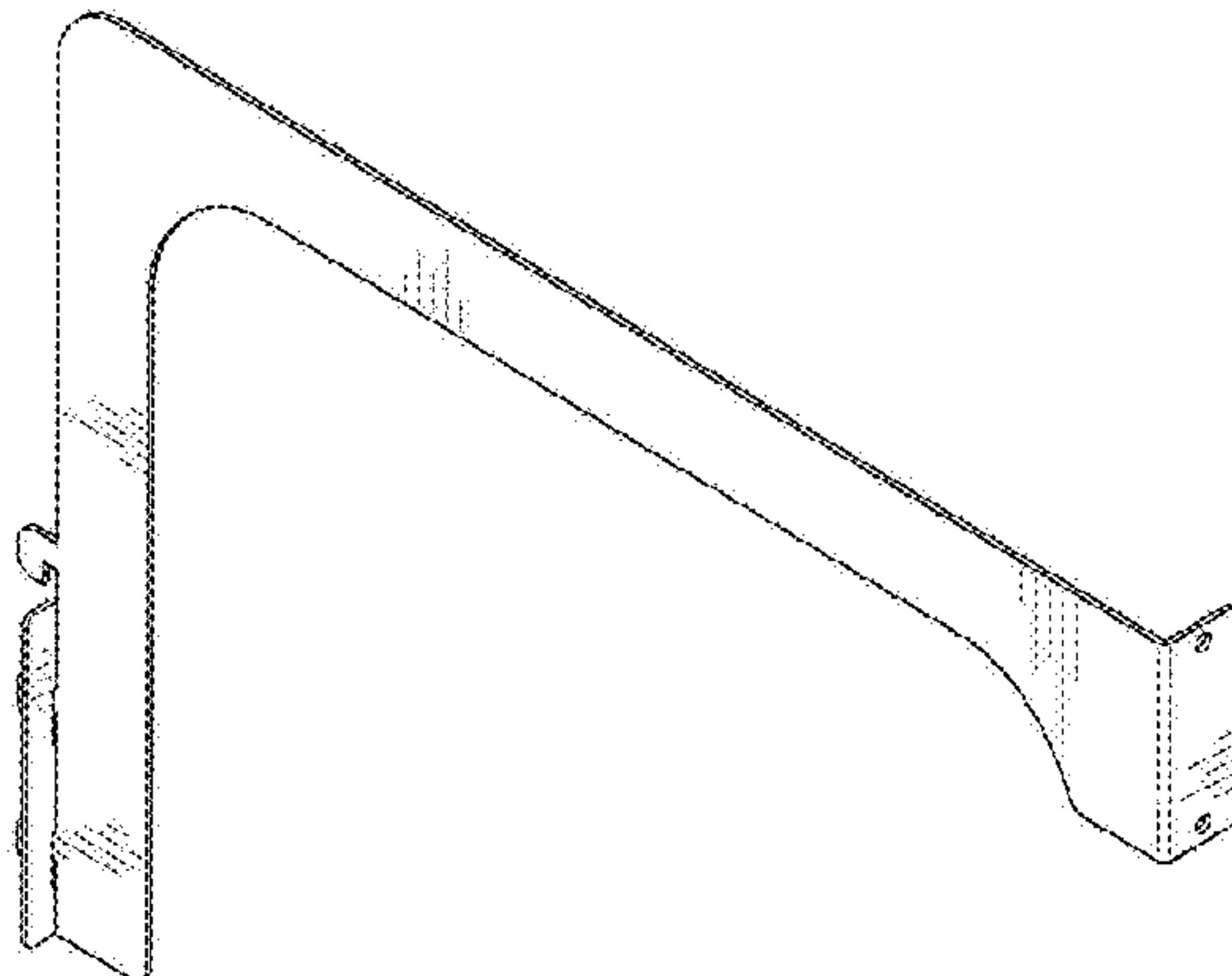
(57) **CLAIM**

The ornamental design for a display bracket, as shown and described.

**DESCRIPTION**

FIG. 1 is a perspective view of a first embodiment of the display bracket;  
 FIG. 2 is a right side elevational view of the first embodiment of the display bracket;  
 FIG. 3 is a left side elevational view of the first embodiment of the display bracket;  
 FIG. 4 is a front elevational view of the first embodiment of the display bracket;  
 FIG. 5 is a rear elevational view of the first embodiment of the display bracket;  
 FIG. 6 is a top plan view of the first embodiment of the display bracket;  
 FIG. 7 is a bottom plan view of the first embodiment of the display bracket;  
 FIG. 8 is a perspective view of a second embodiment of the display bracket;  
 FIG. 9 is a right side elevational view of the second embodiment of the display bracket;  
 FIG. 10 is a left side elevational view of the second embodiment of the display bracket;  
 FIG. 11 is a front elevational view of the second embodiment of the display bracket;  
 FIG. 12 is a rear elevational view of the second embodiment of the display bracket;  
 FIG. 13 is a top plan view of the second embodiment of the display bracket; and,  
 FIG. 14 is a bottom plan view of the second embodiment of the display bracket.

**1 Claim, 6 Drawing Sheets**



# US D730,720 S

Page 2

---

(56)

## References Cited

### U.S. PATENT DOCUMENTS

D628,048 S	*	11/2010	Young	.....	D8/354	
D649,026 S	*	11/2011	Kong et al.	.....	D8/381	* cited by examiner
D658,416 S	*	5/2012	Strickland	.....	D6/553	
D660,132 S	*	5/2012	Yoder et al.	.....	D8/354	
D679,174 S	*	4/2013	Nowak	.....	D8/381	

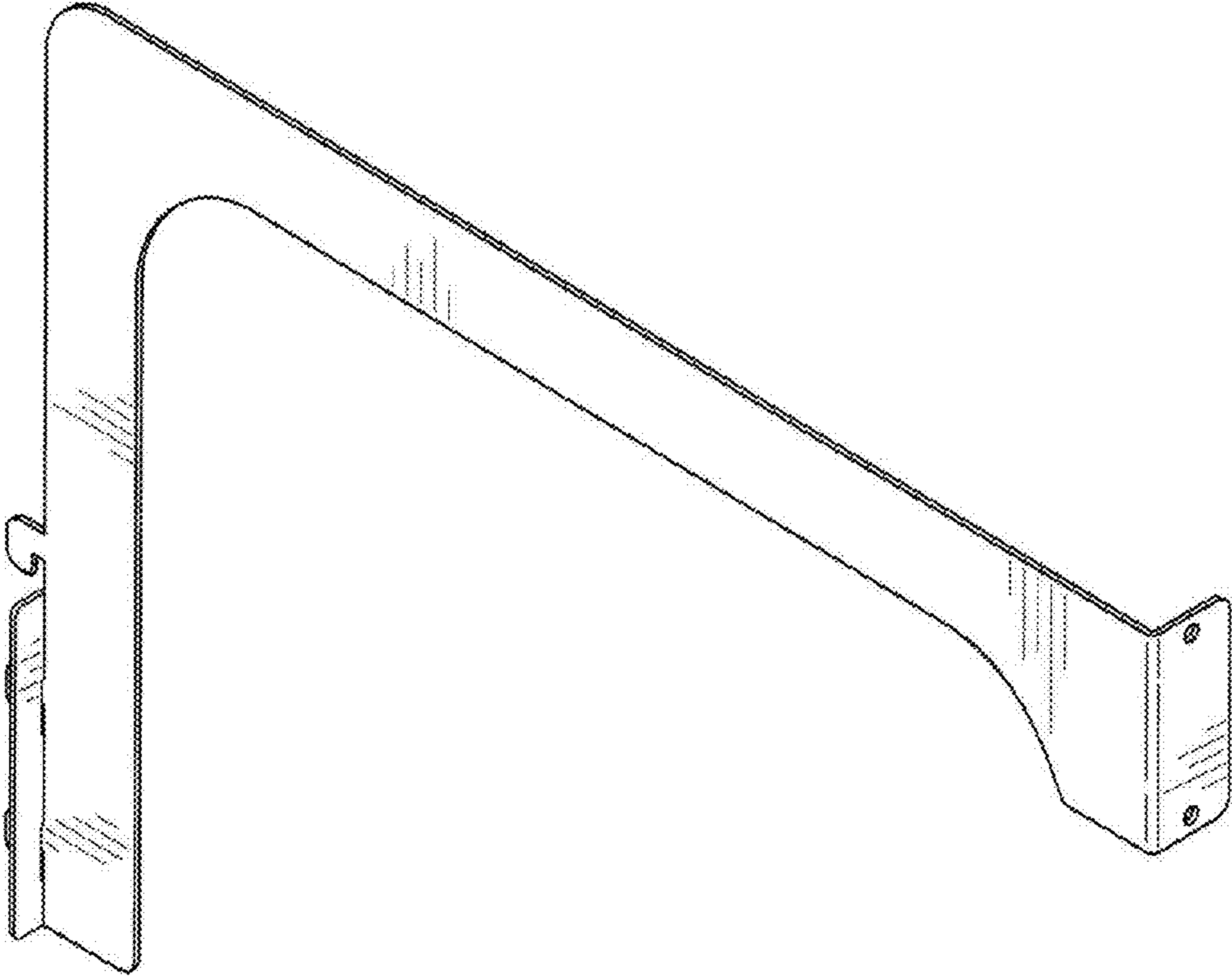


FIG. 1

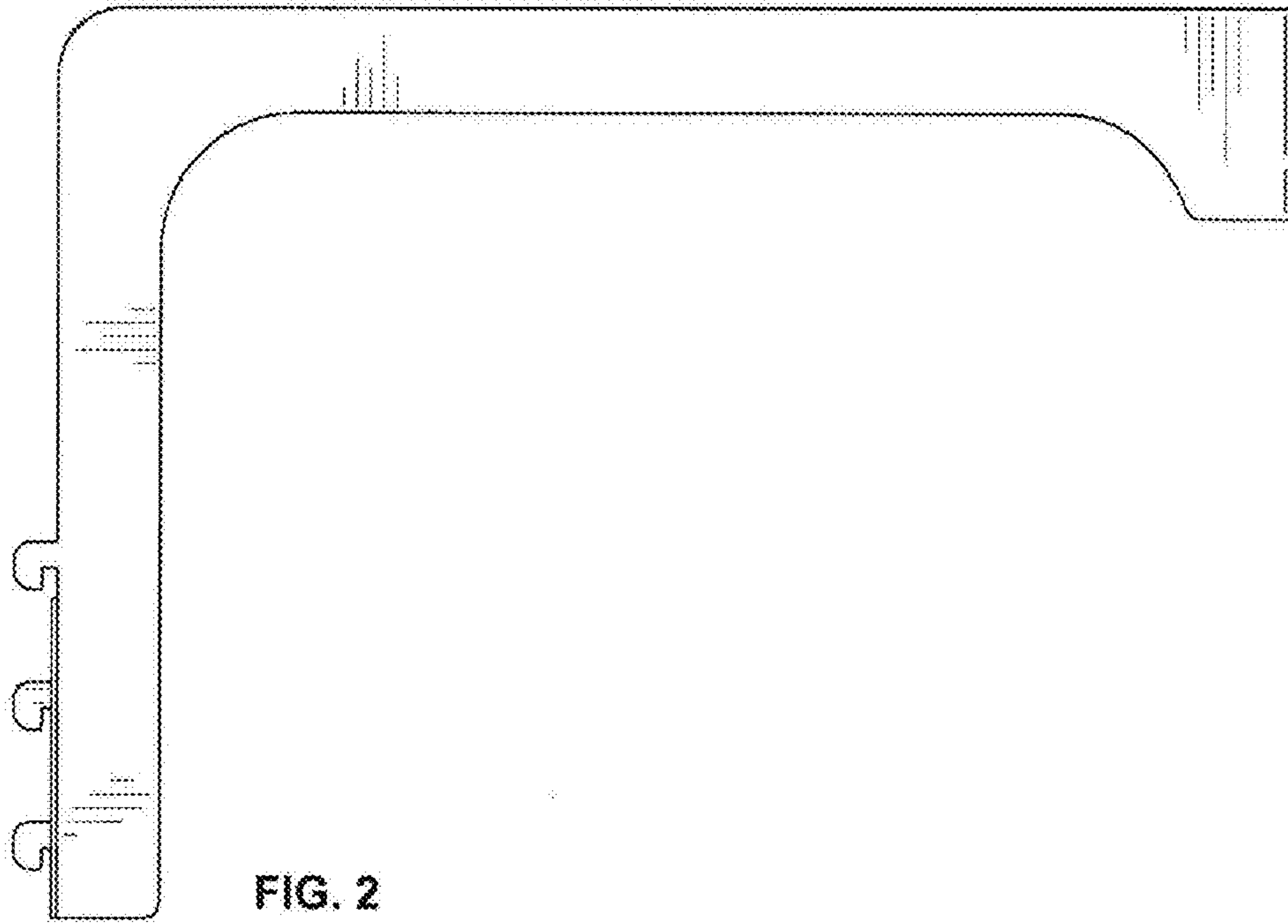


FIG. 2

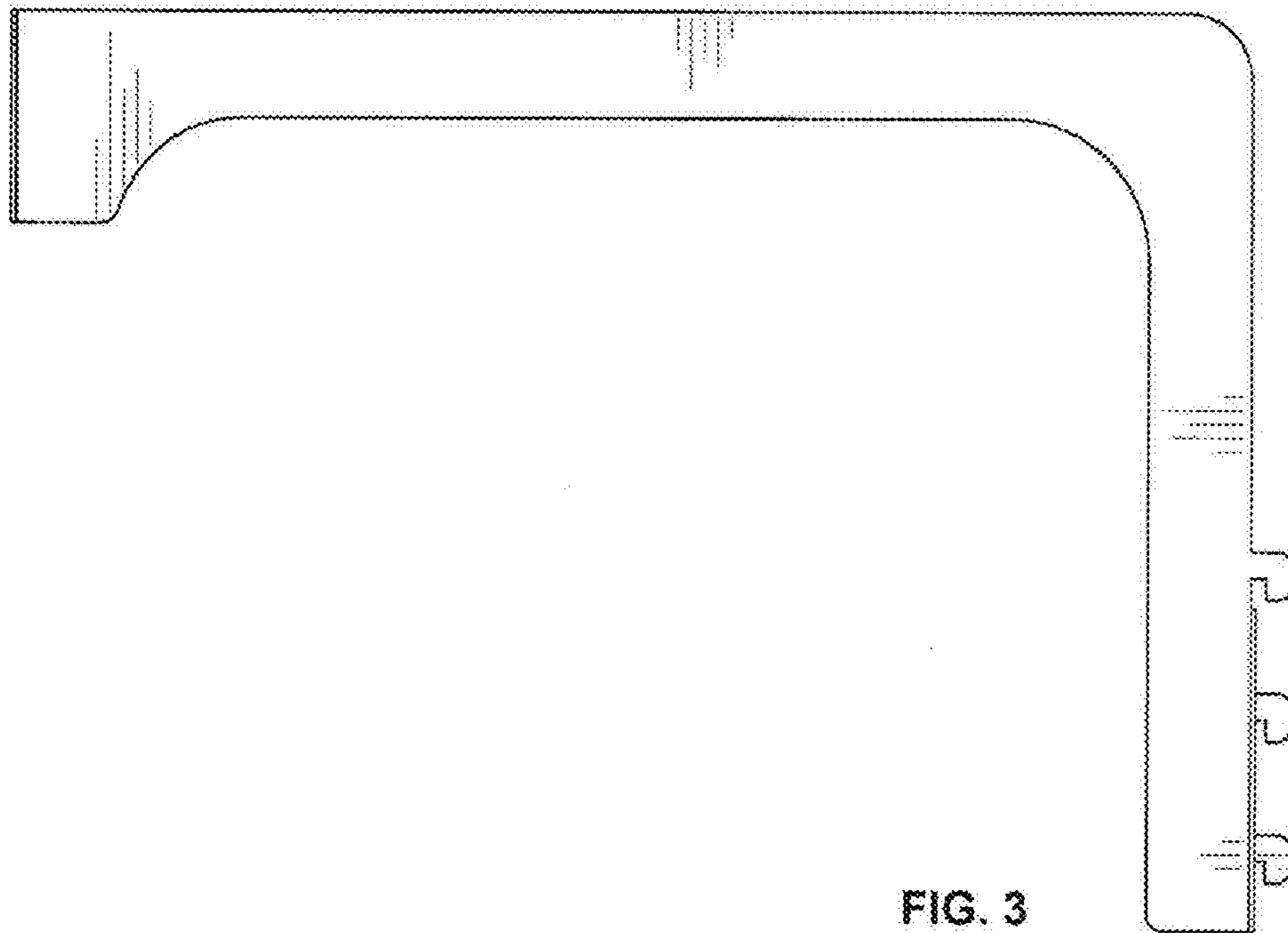


FIG. 3

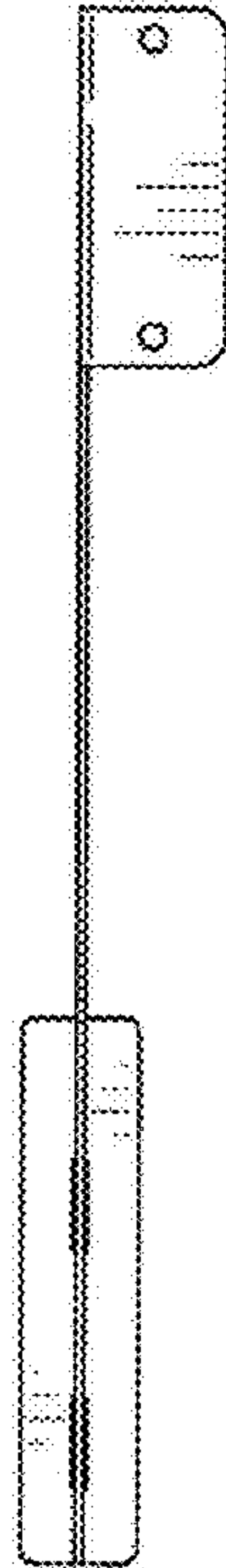


FIG. 4

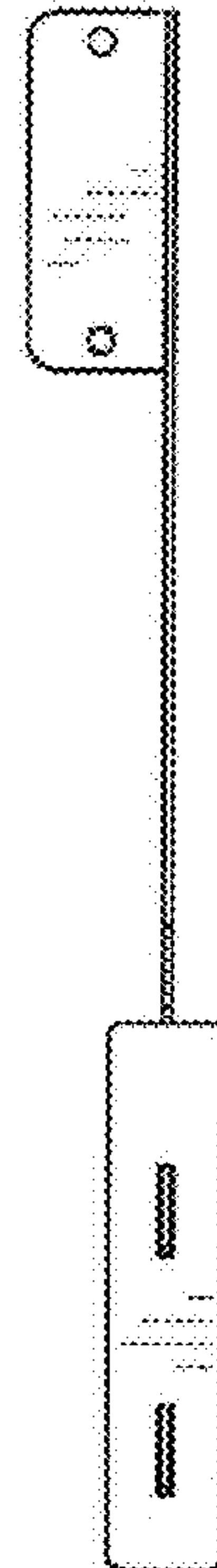


FIG. 5

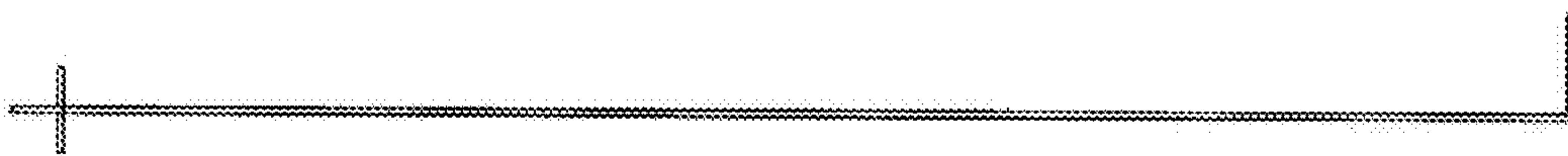


FIG. 6

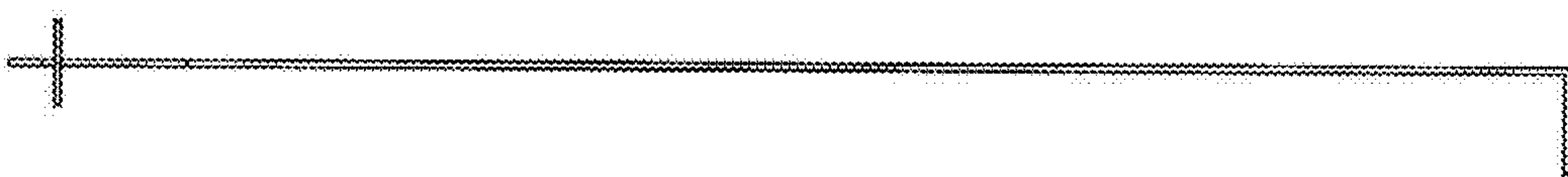


FIG. 7

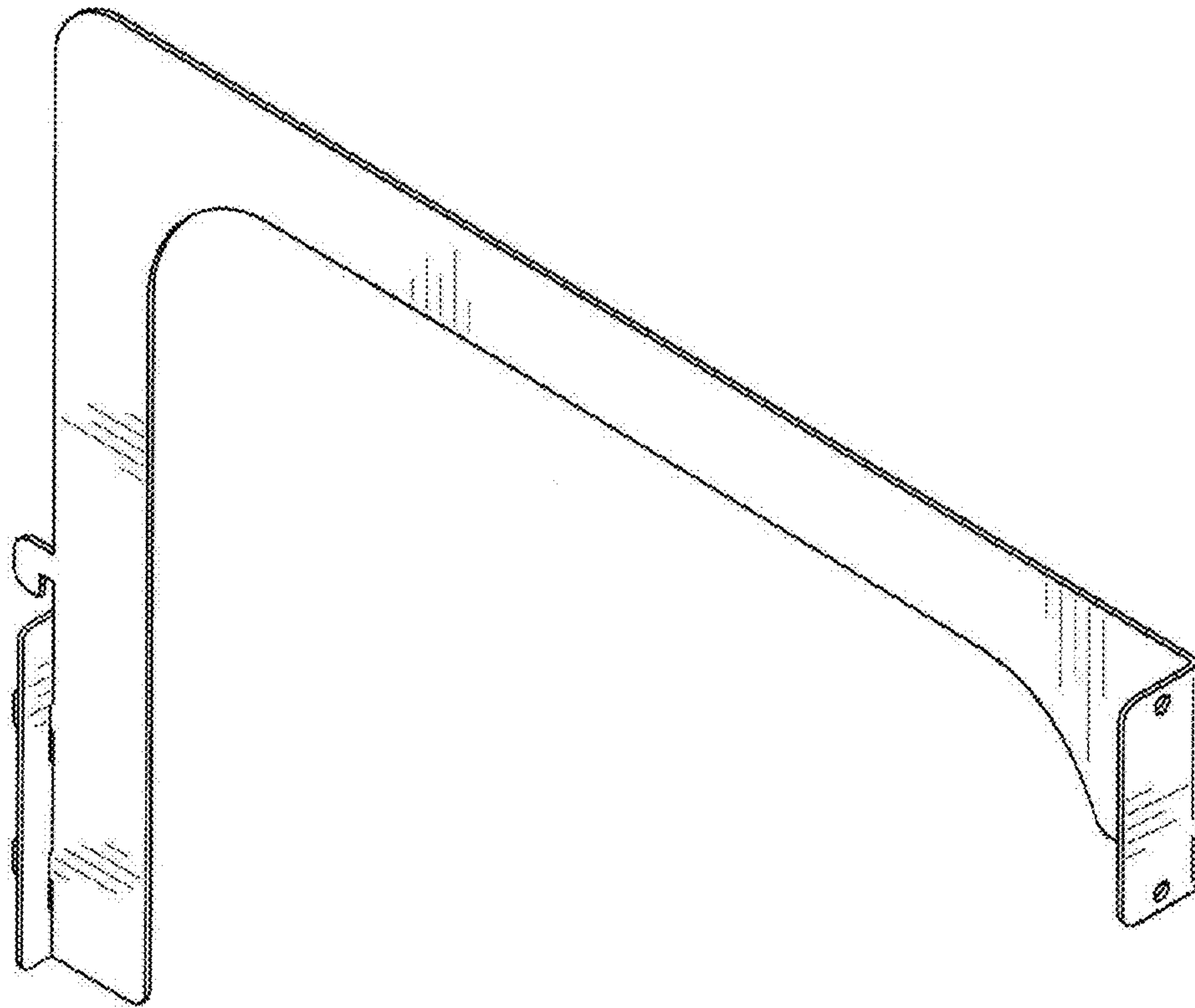
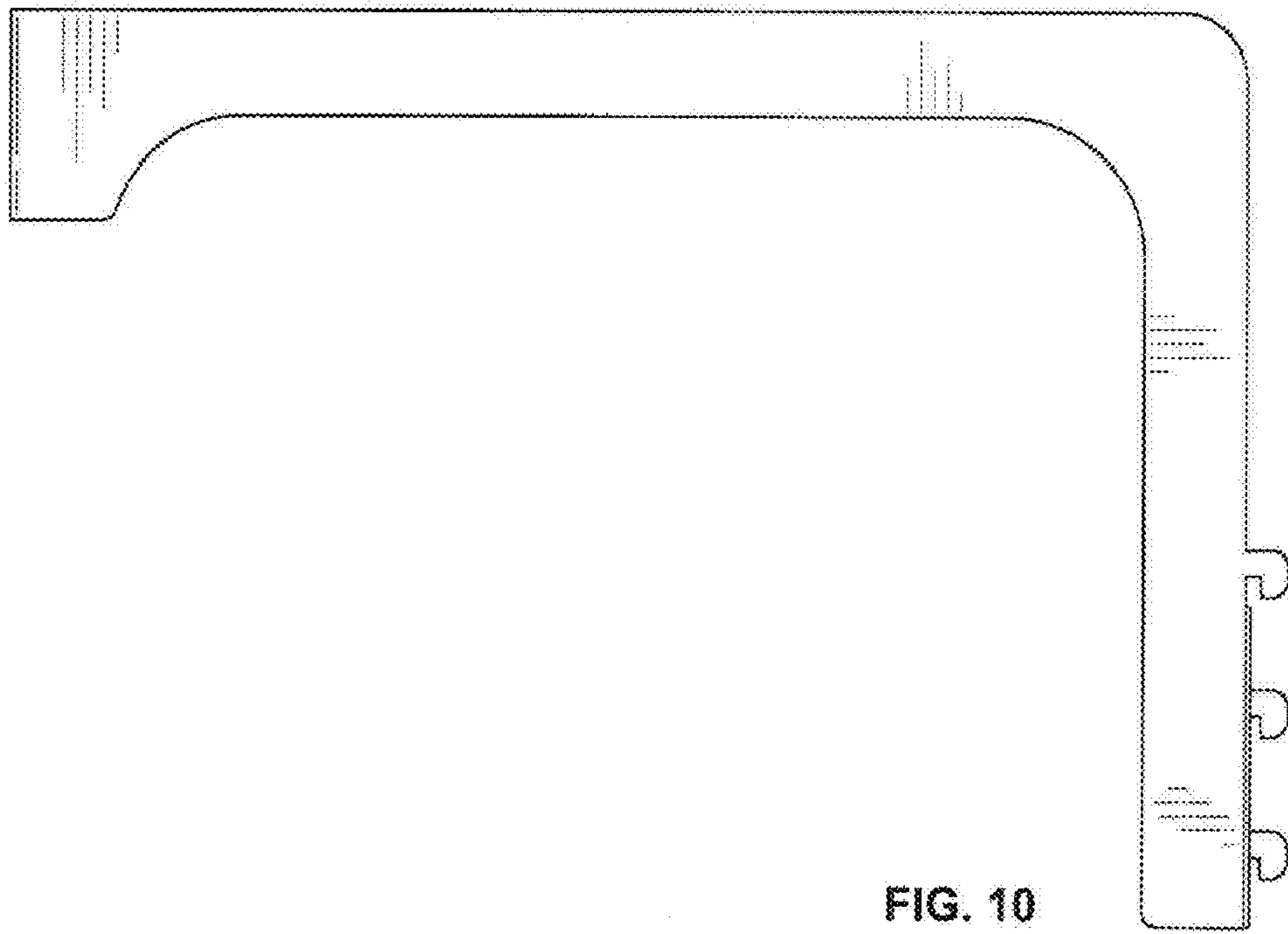
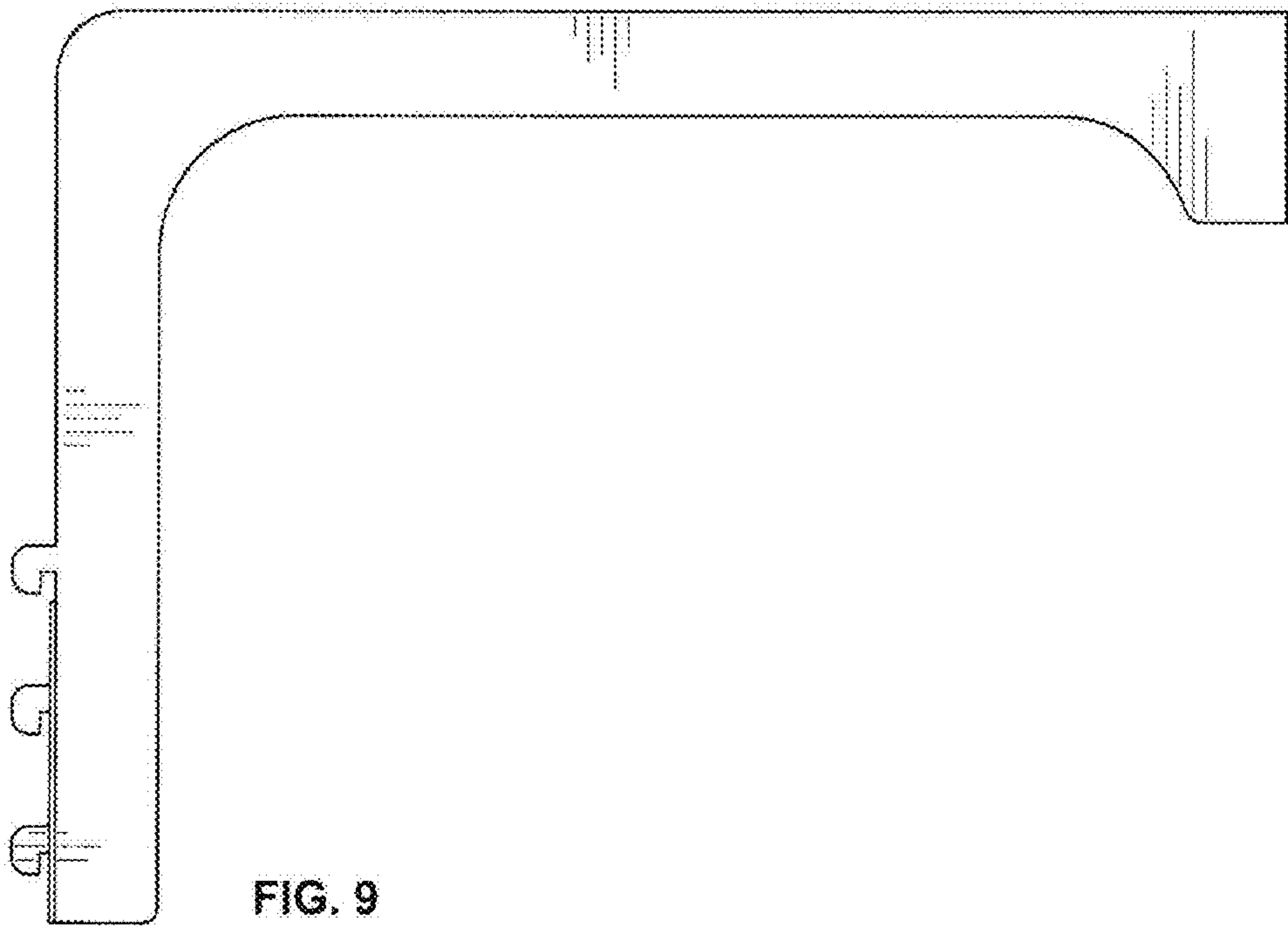


FIG. 8





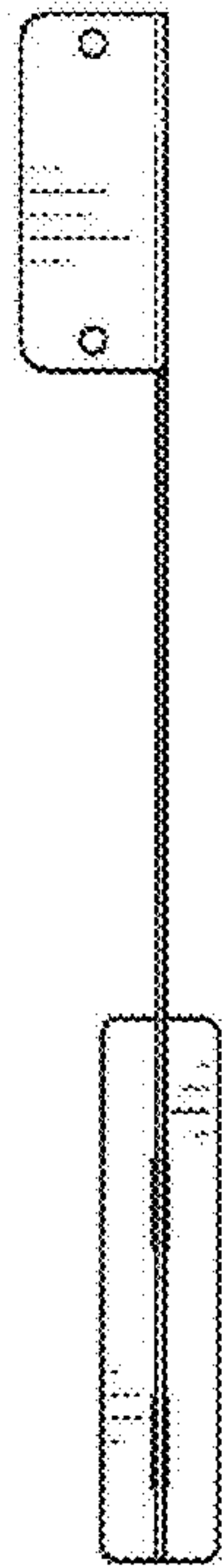


FIG. 11

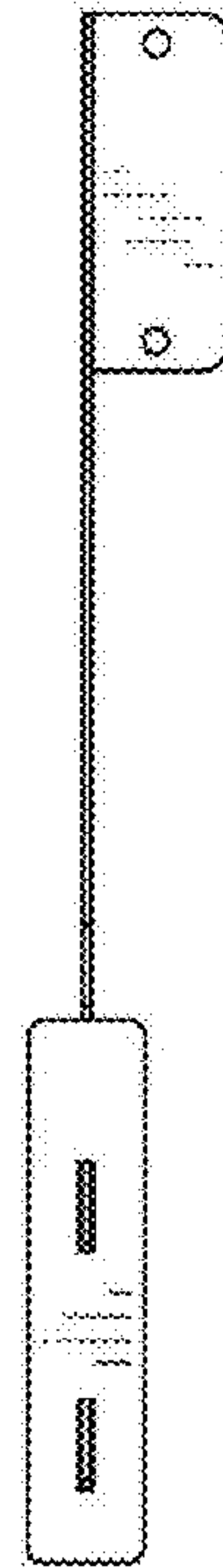


FIG. 12

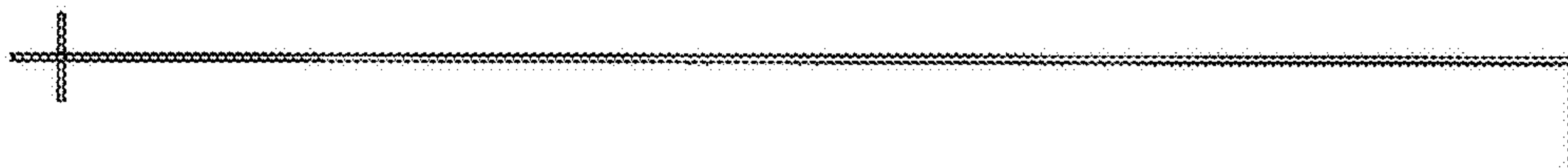


FIG. 13



FIG. 14