

US00D730715S

(12) **United States Design Patent**  
**Gokcebay et al.**

(10) **Patent No.:** **US D730,715 S**  
(45) **Date of Patent:** **\*\* Jun. 2, 2015**

- (54) **LOCKER LOCK WITH PULL HANDLE**
- (71) Applicant: **Security People, Inc.**, Petaluma, CA (US)
- (72) Inventors: **Asil T. Gokcebay**, Petaluma, CA (US);  
**Julian Peck**, San Rafael, CA (US); **Kelly Kodama**, Walnut Creek, CA (US)
- (73) Assignee: **Security People, Inc.**, Petaluma, CA (US)
- (\*\*) Term: **14 Years**
- (21) Appl. No.: **29/477,076**
- (22) Filed: **Dec. 19, 2013**
- (51) **LOC (10) Cl.** ..... **08-07**
- (52) **U.S. Cl.**  
USPC ..... **D8/331; D8/330**
- (58) **Field of Classification Search**  
USPC ..... D8/330, 331, 336, 338, 339, 340, 343;  
70/14, 2, 51, 57, 57.1, 91, 107, 141,  
70/214, 78, 278, 1, 127, 447; 292/2, 32,  
292/137, 288, 289, 290, 292, 194-198, 164,  
292/165, 257  
CPC ..... E05B 49/00; E05B 17/00; E05B 55/00;  
E05B 65/00  
See application file for complete search history.

5,020,345 A *	6/1991	Gartner et al.	70/277
5,475,996 A *	12/1995	Chen	70/279.1
6,058,746 A *	5/2000	Mirshafiee et al.	70/107
7,221,272 B2 *	5/2007	Hosselet	340/542
D580,739 S *	11/2008	Pelletier et al.	D8/331
D686,055 S *	7/2013	Li	D8/338
D686,056 S *	7/2013	Li	D8/338
8,587,405 B2 *	11/2013	Denison et al.	340/5.73
8,616,031 B2 *	12/2013	Ullrich et al.	70/279.1
D698,222 S *	1/2014	Guo	D8/330

\* cited by examiner

*Primary Examiner* — Prabhakar Deshmukh

(74) *Attorney, Agent, or Firm* — Thomas M. Freiburger

(57) **CLAIM**

The ornamental design for a locker lock with pull handle, substantially as shown and described.

**DESCRIPTION**

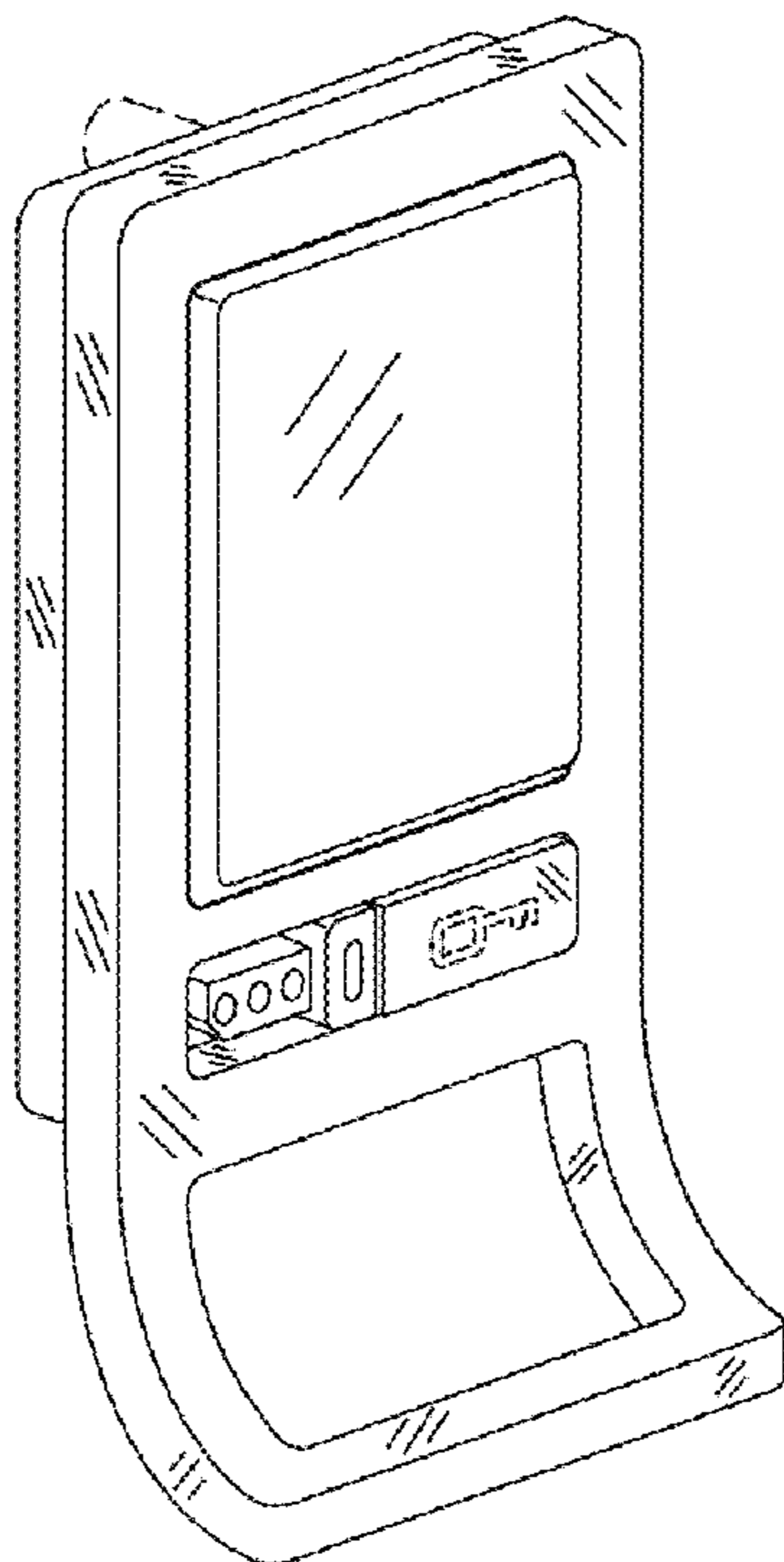
FIG. 1 is a front right perspective view of a locker lock with pull handle showing our new design;  
 FIG. 2 is a top plan view thereof;  
 FIG. 3 is a left side elevational view thereof;  
 FIG. 4 is a front elevational plan view thereof;  
 FIG. 5 is a right side elevational view thereof; and,  
 FIG. 6 is a bottom plan view thereof.  
 The broken lines environment is for illustrative purpose only and forms no part of the claimed design.

(56) **References Cited**

U.S. PATENT DOCUMENTS

3,187,528 A *	6/1965	Check	70/299
D263,279 S *	3/1982	Stolarz	D8/338

**1 Claim, 1 Drawing Sheet**



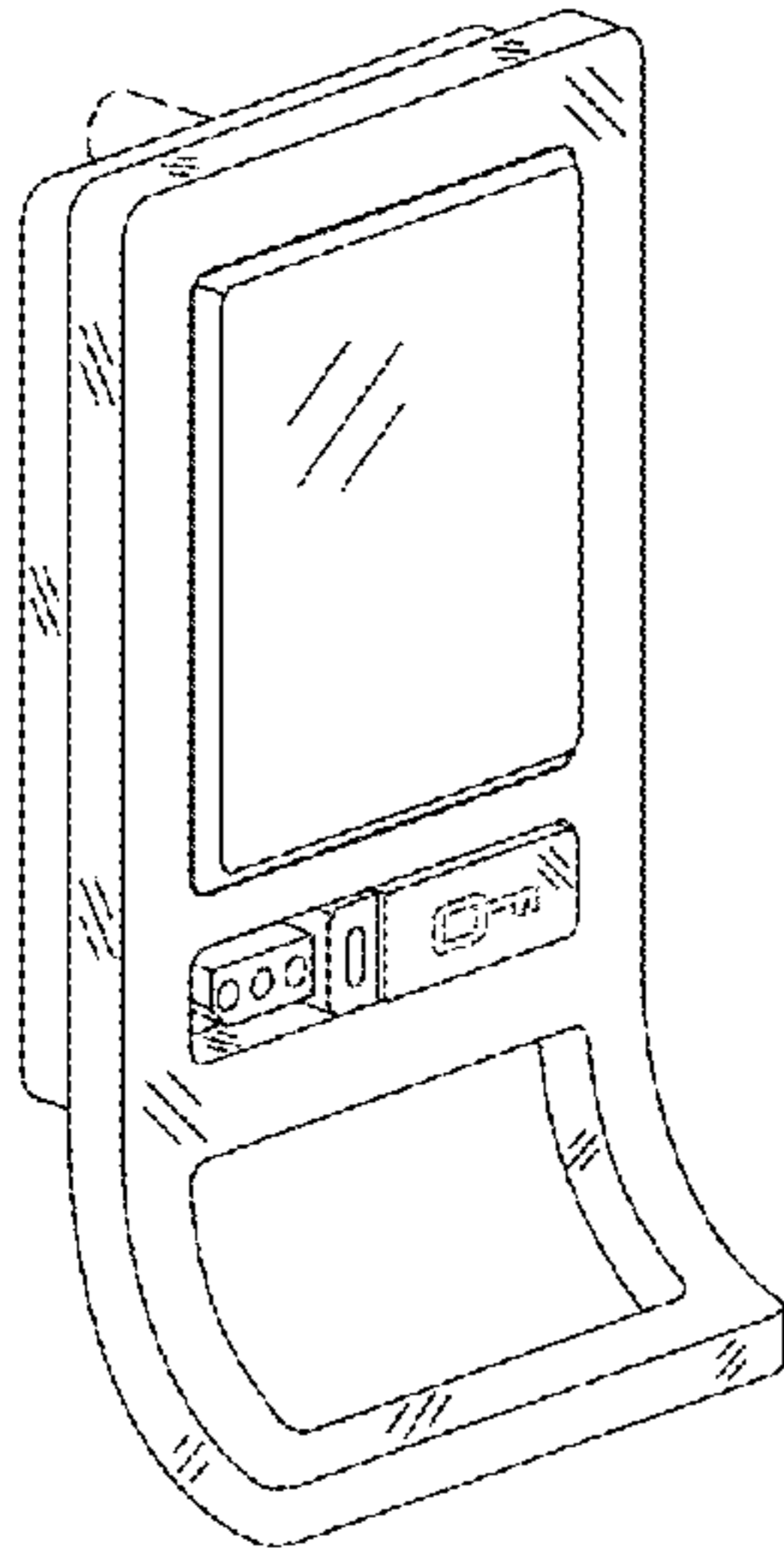


FIG. 1

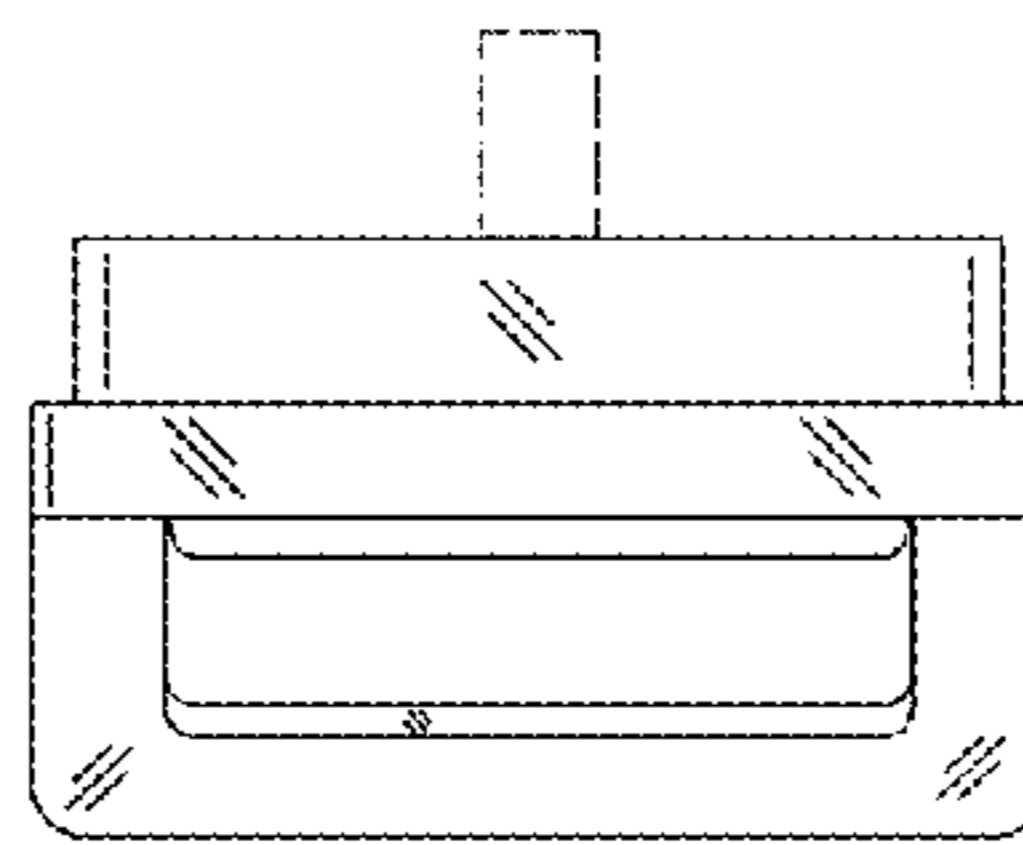


FIG. 2

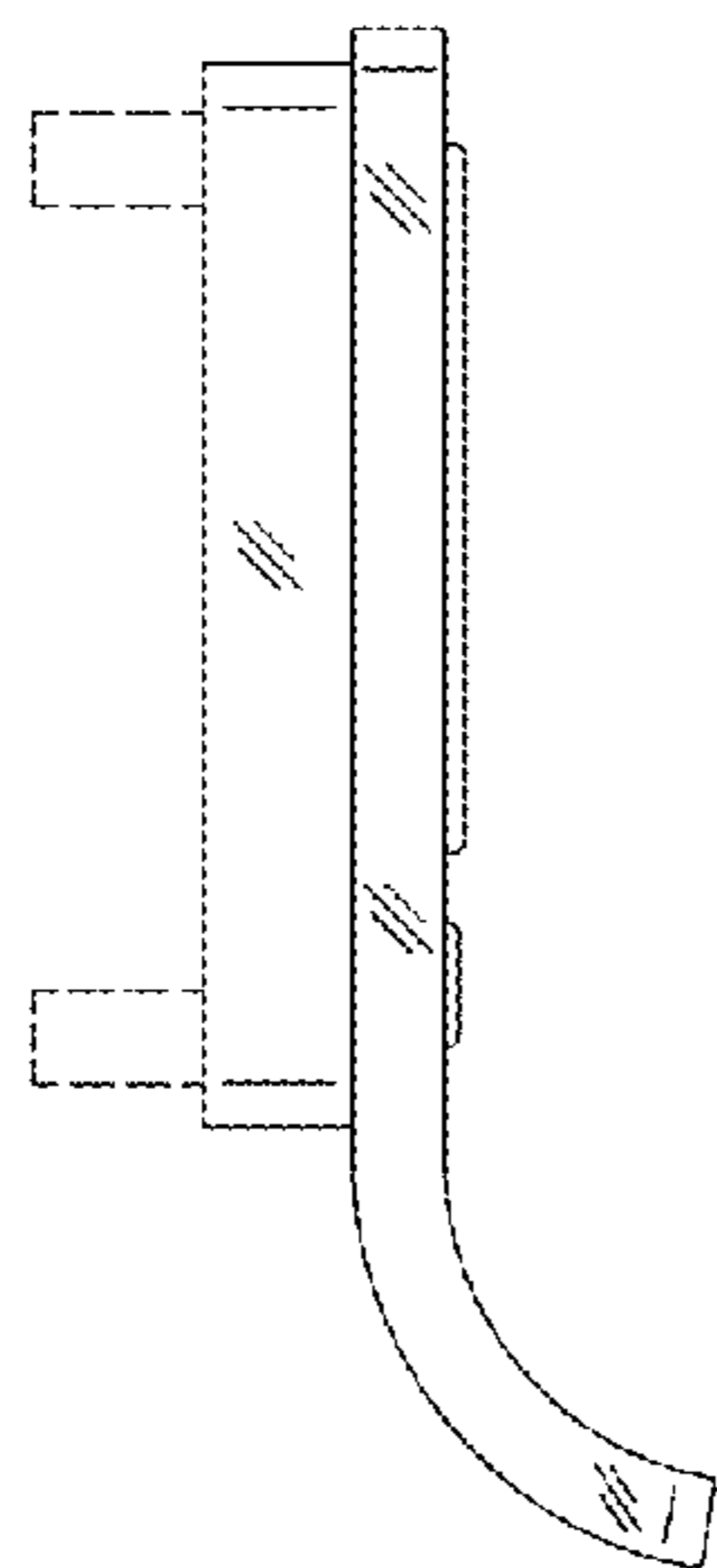


FIG. 3

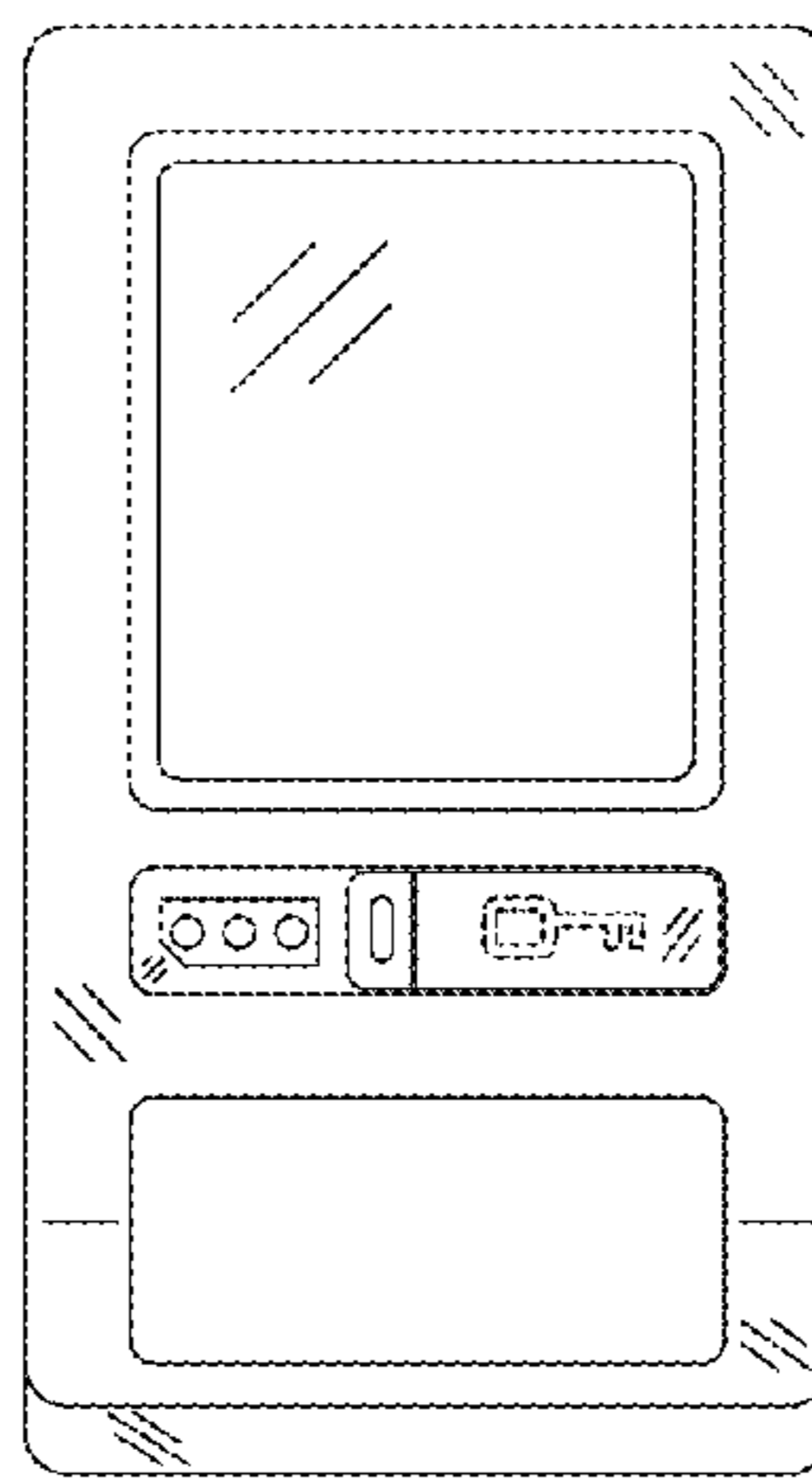


FIG. 4

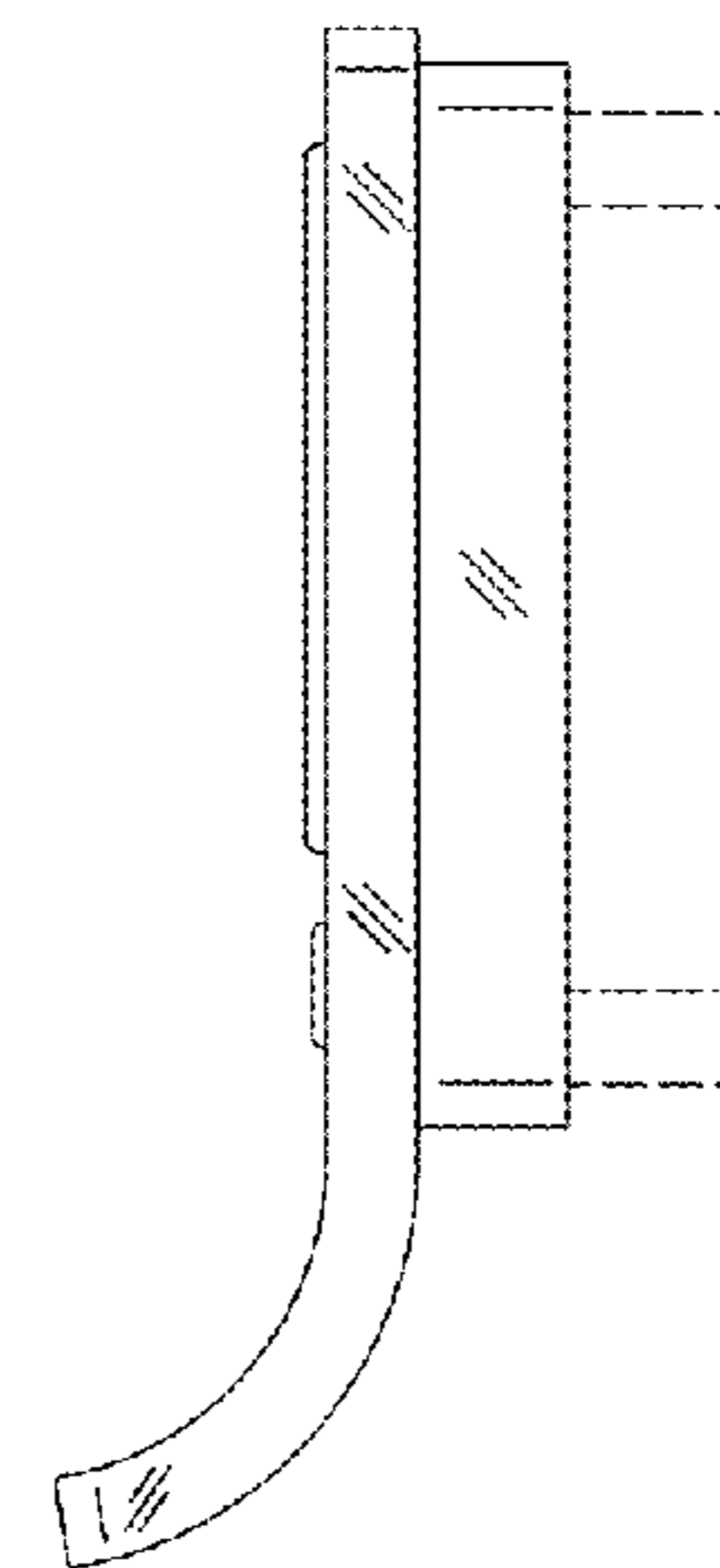


FIG. 5

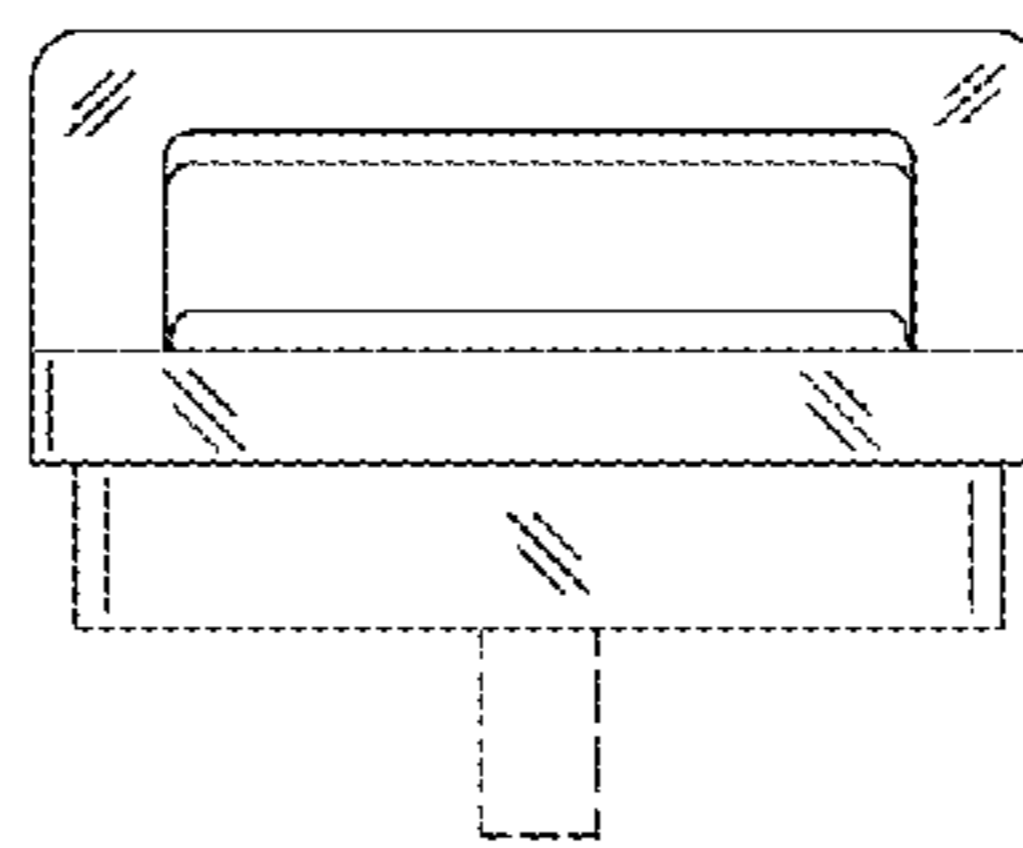


FIG. 6