



US00D730713S

(12) **United States Design Patent**  
**Liang et al.**

(10) **Patent No.:** **US D730,713 S**  
(45) **Date of Patent:** **\*\* Jun. 2, 2015**

(54) **SASH LOCK AND KEEPER**  
(71) Applicants: **Luke Liang**, South Plainfield, NJ (US);  
**Tong Liang**, Guangzhou (CN); **David Chen**, Guangzhou (CN)  
(72) Inventors: **Luke Liang**, South Plainfield, NJ (US);  
**Tong Liang**, Guangzhou (CN); **David Chen**, Guangzhou (CN)  
(73) Assignee: **Vision Industries, Inc.**, So Plainfield, NJ (US)

D514,139 S \* 1/2006 Ertz et al. .... D15/89  
7,013,689 B2 \* 3/2006 Graham et al. .... 70/208  
D584,595 S \* 1/2009 Gray ..... D8/331  
7,497,488 B2 \* 3/2009 Chen ..... 292/216  
D700,824 S \* 3/2014 Arthurs et al. .... D8/331  
D706,110 S \* 6/2014 Williams ..... D8/331  
D715,130 S \* 10/2014 Sayegh et al. .... D8/331

\* cited by examiner

*Primary Examiner* — Prabhakar Deshmukh

(74) *Attorney, Agent, or Firm* — Thomas A. O'Rourke;  
Bodner & Rourke, LLP

(\*\*) Term: **14 Years**

(21) Appl. No.: **29/470,044**

(22) Filed: **Oct. 17, 2013**

(51) **LOC (10) Cl.** ..... **08-07**

(52) **U.S. Cl.**  
USPC ..... **D8/331; D8/339**

(58) **Field of Classification Search**  
USPC ..... D8/330, 331, 343, 339, 349, 341;  
70/107-111, 114, 118, 141, 488, 162;  
292/2, 32, 63, 137, 174  
See application file for complete search history.

(56) **References Cited**

U.S. PATENT DOCUMENTS

6,913,297 B2 \* 7/2005 Jackson et al. .... 292/196  
6,973,810 B2 \* 12/2005 Chen ..... 70/208

(57) **CLAIM**

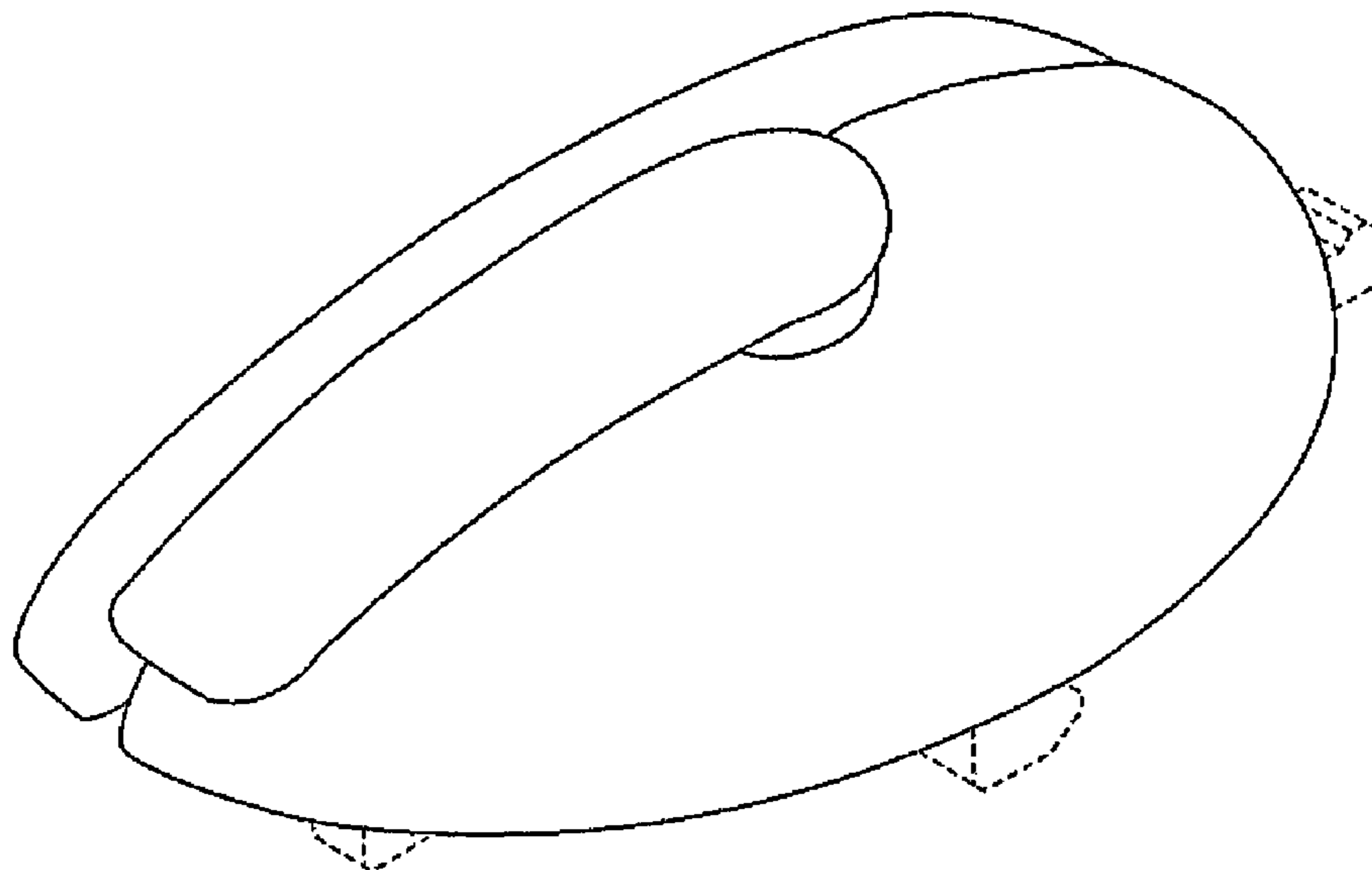
The ornamental design for a sash lock and keeper, as shown and described.

**DESCRIPTION**

FIG. 1 is a right side view of a sash lock and keeper showing our new design;  
FIG. 2 is a left side view thereof;  
FIG. 3 is a rear elevational view thereof;  
FIG. 4 is a front elevational view thereof;  
FIG. 5 is a front, top perspective view thereof;  
FIG. 6 is a rear, top perspective view thereof; and,  
FIG. 7 is a top plan view thereof.

The broken lines environment is for illustrative purpose only and forms no part of the claimed design.

**1 Claim, 4 Drawing Sheets**



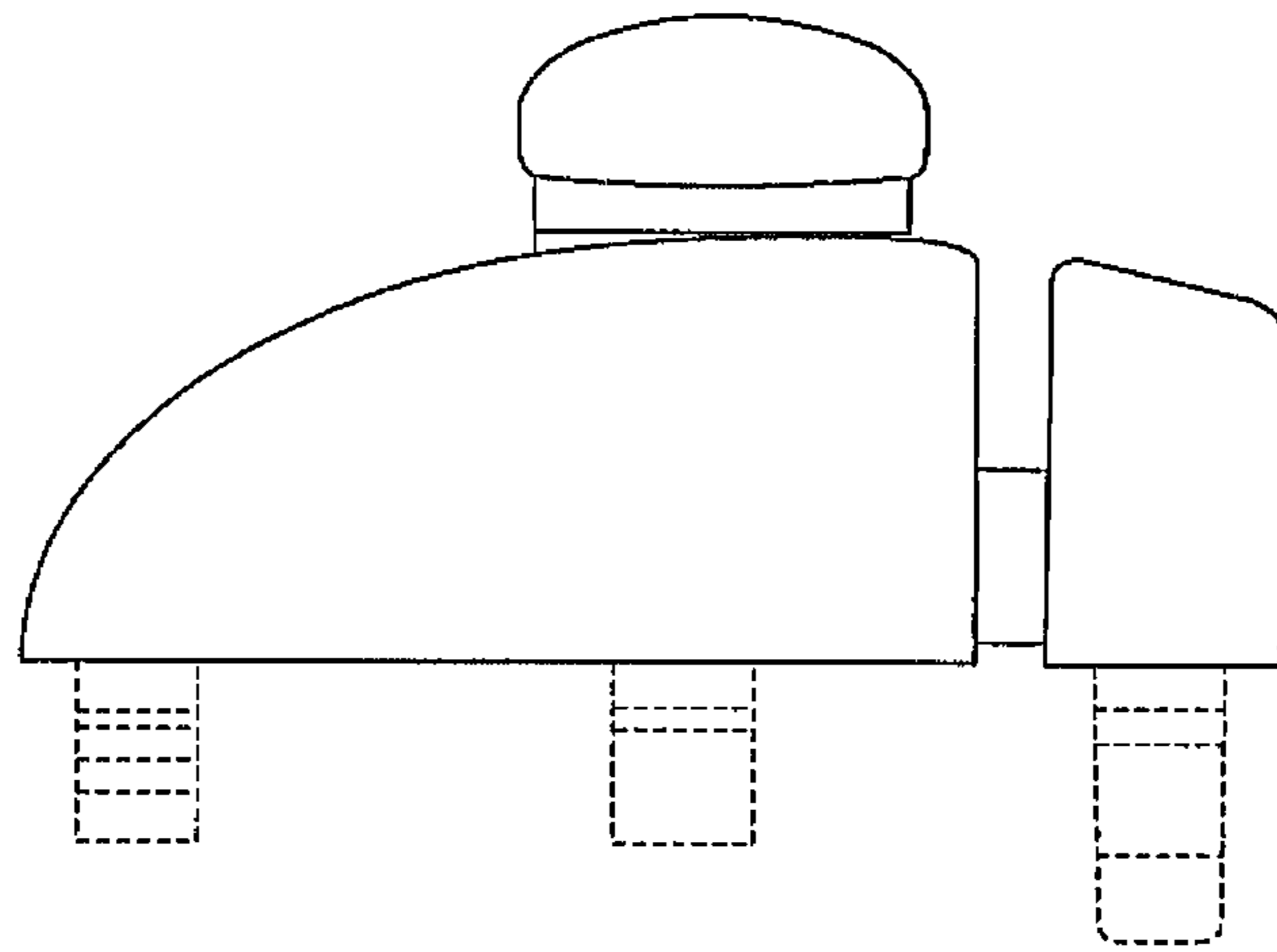


FIG. 1

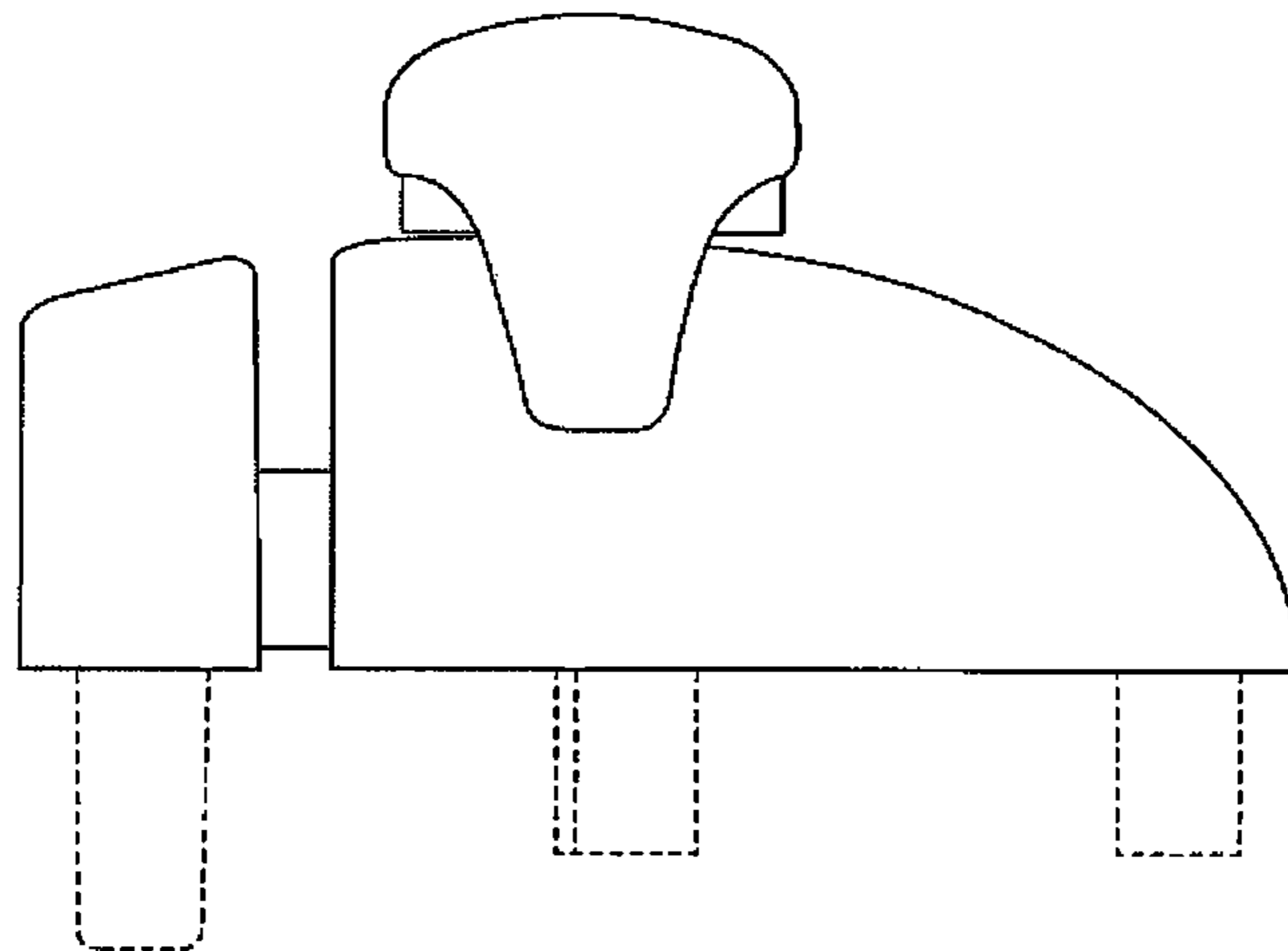


FIG. 2

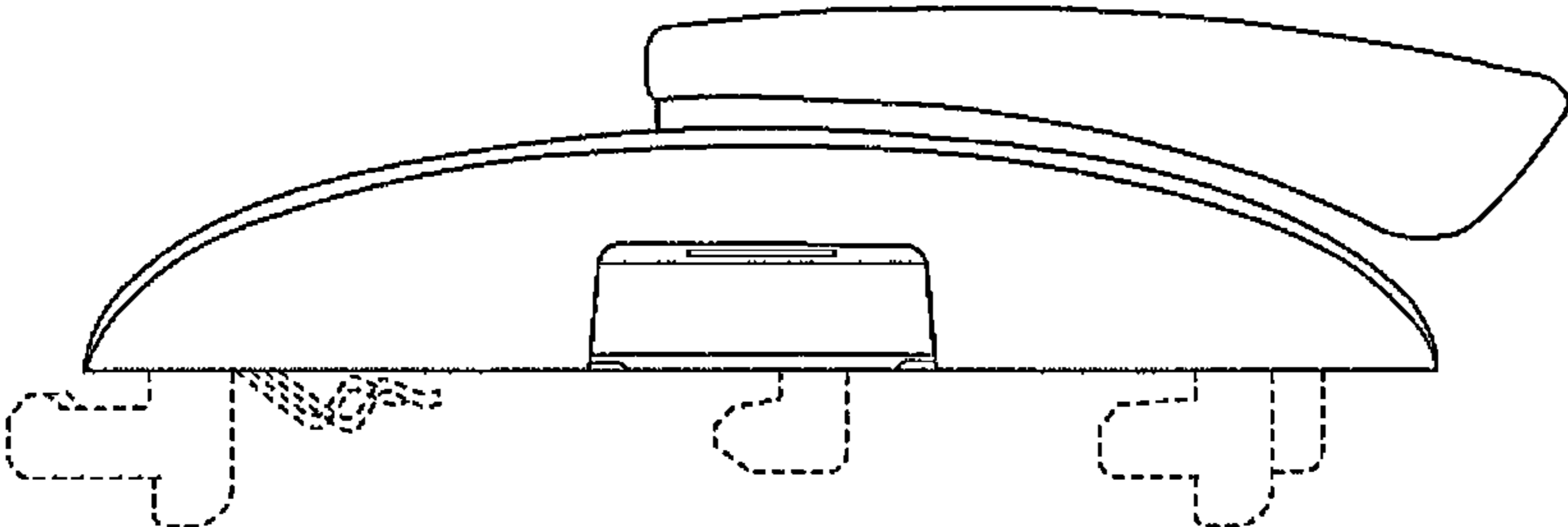


FIG. 3

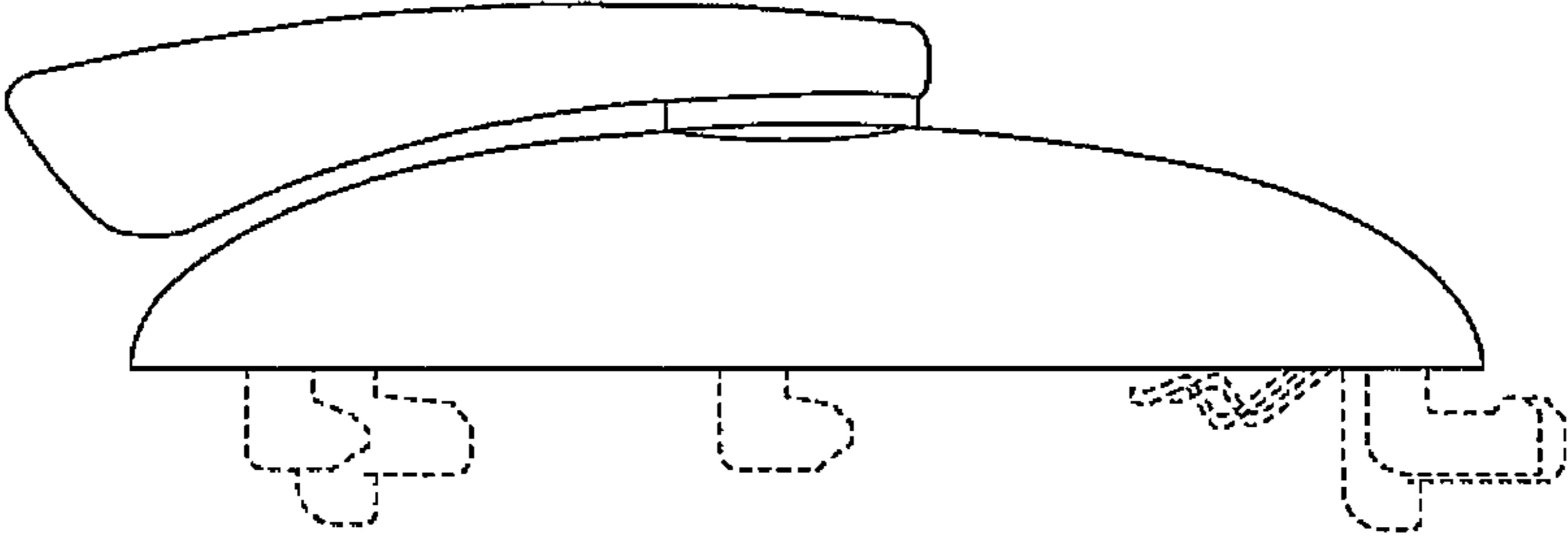


FIG. 4

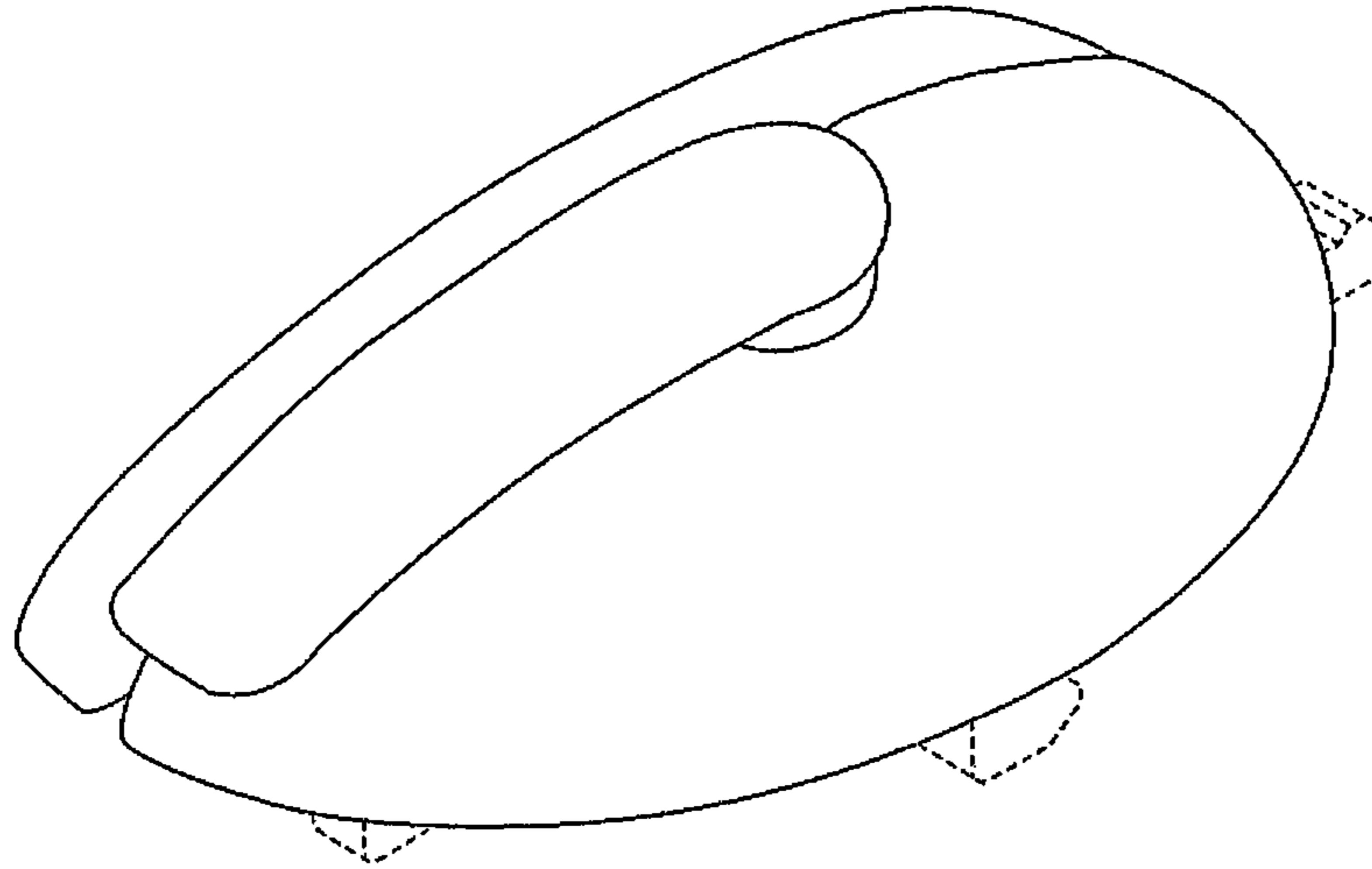


FIG. 5

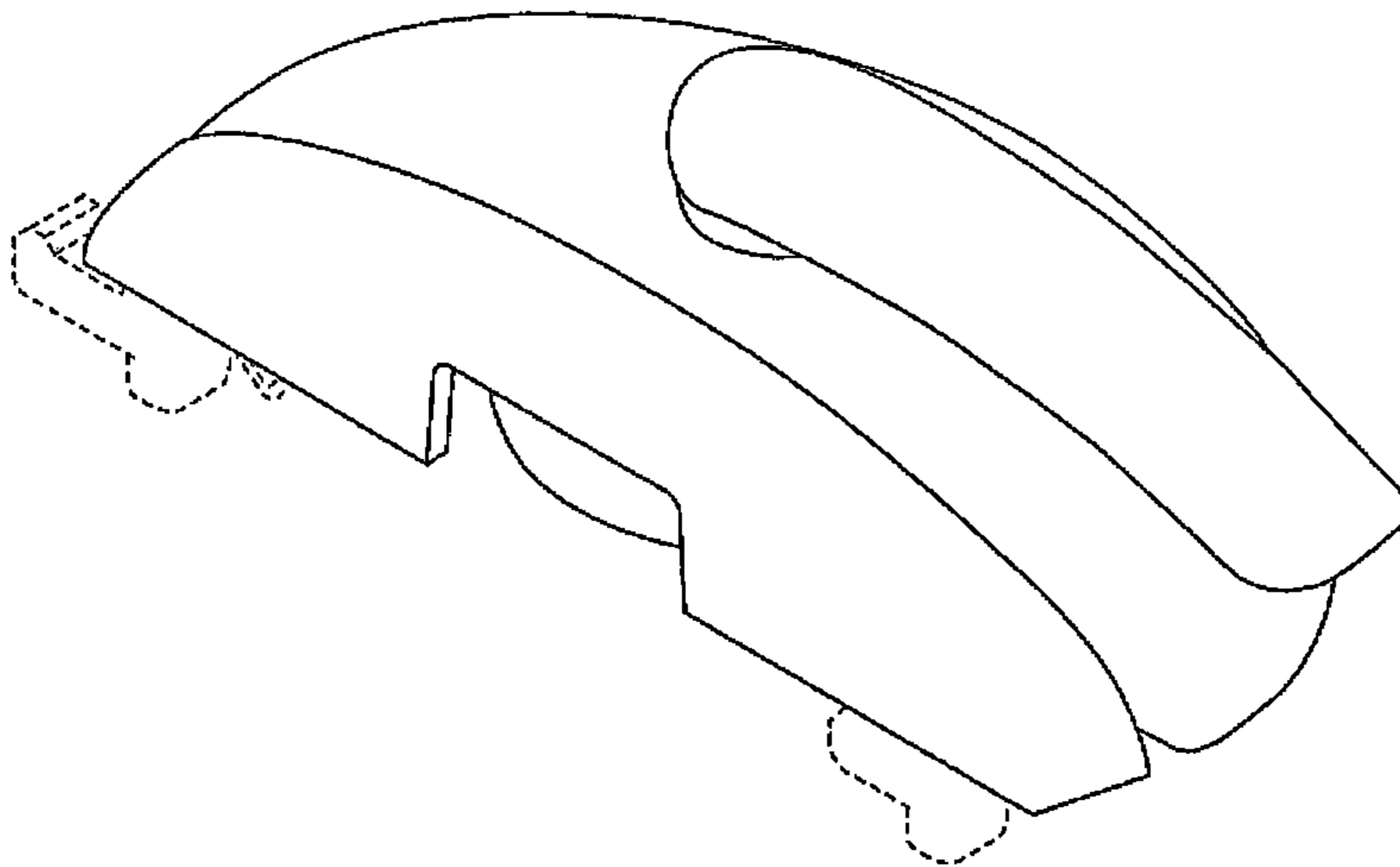


FIG. 6

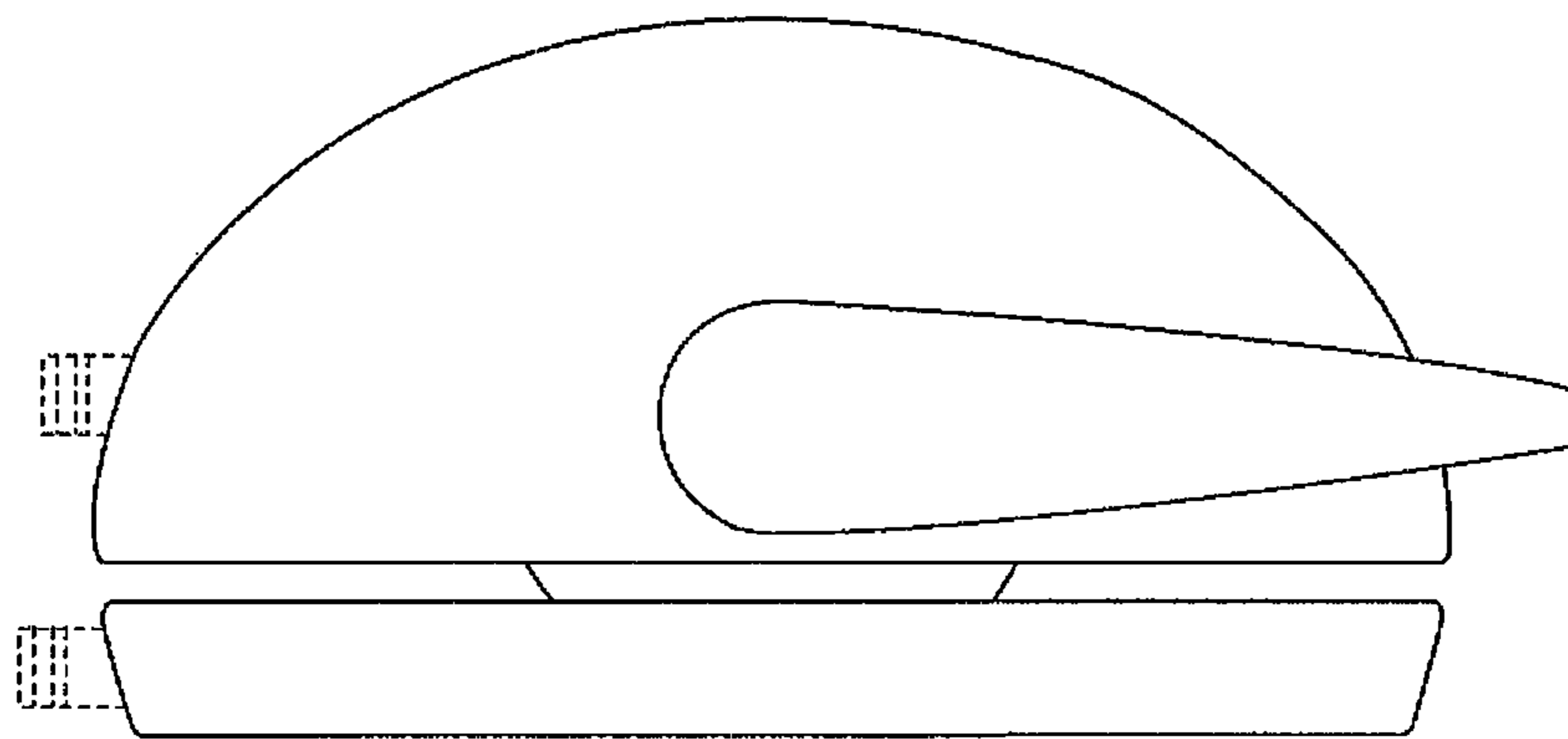


FIG. 7