



US00D730710S

(12) **United States Design Patent**  
**Lau**

(10) **Patent No.:** **US D730,710 S**  
(45) **Date of Patent:** **\*\* Jun. 2, 2015**

(54) **SHOTGUN SHELL KNIFE**  
(76) Inventor: **Fermi Chi Hung Lau, Kowloon (HK)**  
(\*\*) Term: **14 Years**  
(21) Appl. No.: **29/421,072**  
(22) Filed: **May 16, 2012**  
(51) **LOC (10) Cl.** ..... **08-03**  
(52) **U.S. Cl.**  
USPC ..... **D8/100**  
(58) **Field of Classification Search**  
USPC ..... D8/7, 12, 19, 20, 95, 97-100, 105, 107;  
D22/118; D7/649, 650, 652; 7/118;  
30/155, 158-161, 346, 351-352,  
30/355-357  
See application file for complete search history.

7,752,759 B2 \* 7/2010 Perreault ..... 30/161  
8,291,597 B2 \* 10/2012 Hawk et al. .... 30/155  
8,499,460 B1 \* 8/2013 Pearman ..... 30/155  
2007/0066169 A1 \* 3/2007 Perelman et al. .... 442/149  
2008/0200740 A1 \* 8/2008 Waycuilis ..... 585/324  
2008/0250650 A1 \* 10/2008 Seber et al. .... 30/161  
2012/0047746 A1 \* 3/2012 Caswell ..... 30/161  
2012/0222314 A1 \* 9/2012 Lo ..... 30/159  
2013/0000129 A1 \* 1/2013 Huang ..... 30/161

\* cited by examiner

*Primary Examiner* — Philip S Hyder  
*Assistant Examiner* — Roselynn Cody

(74) *Attorney, Agent, or Firm* — Raymond Y. Chan; David and Raymond Patent Firm

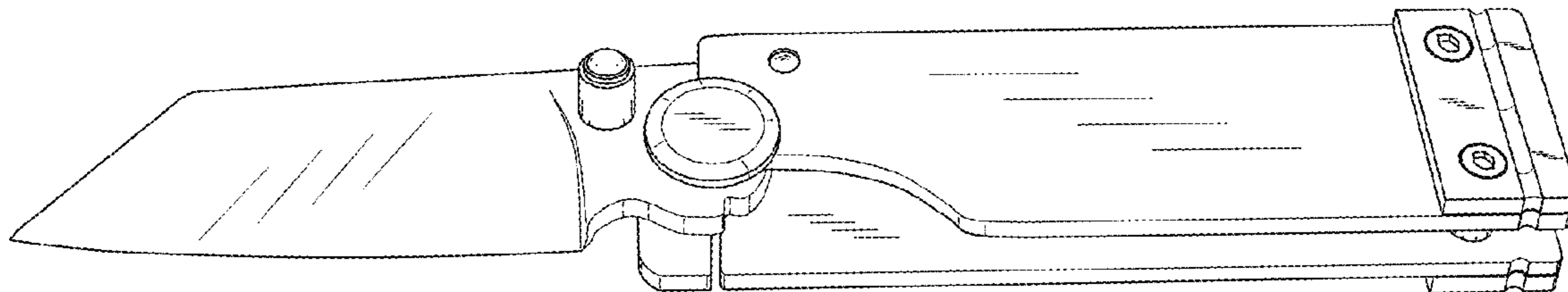
(57) **CLAIM**  
The ornamental design for a shotgun shell knife, as shown and described.

**DESCRIPTION**

FIG. 1 is a perspective view of the shotgun shell knife showing my new design.  
FIG. 2 is a left view thereof.  
FIG. 3 is a right view thereof.  
FIG. 4 is a front view thereof.  
FIG. 5 is a rear view thereof.  
FIG. 6 is a bottom view thereof; and,  
FIG. 7 is a top view thereof.

**1 Claim, 6 Drawing Sheets**

(56) **References Cited**  
U.S. PATENT DOCUMENTS  
1,365,487 A \* 1/1921 Hallvarson ..... 30/155  
4,274,200 A \* 6/1981 Coder ..... 30/161  
4,730,394 A \* 3/1988 Sonner, Jr. .... 30/161  
4,730,894 A \* 3/1988 Arroyo ..... 385/113  
4,811,486 A \* 3/1989 Cunningham ..... 30/161  
6,826,836 B1 \* 12/2004 Lin ..... 30/161  
D605,022 S \* 12/2009 Noraker ..... D8/99



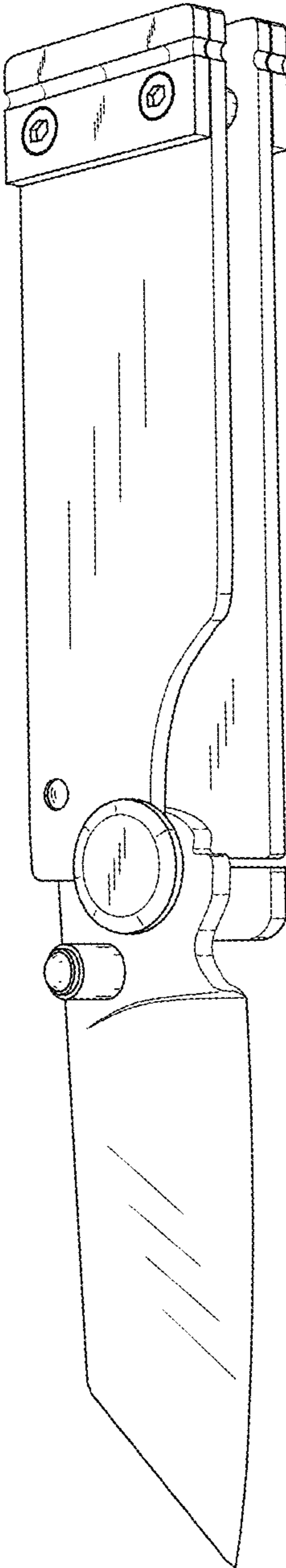


FIG.1

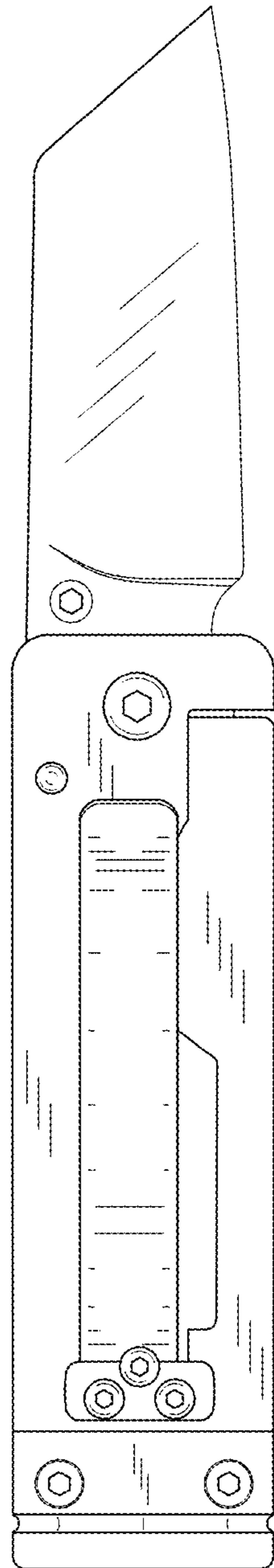


FIG.2

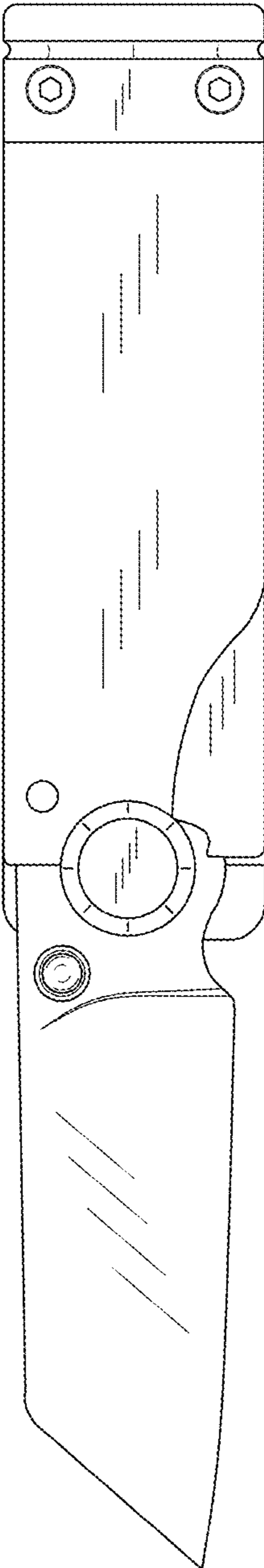


FIG.3

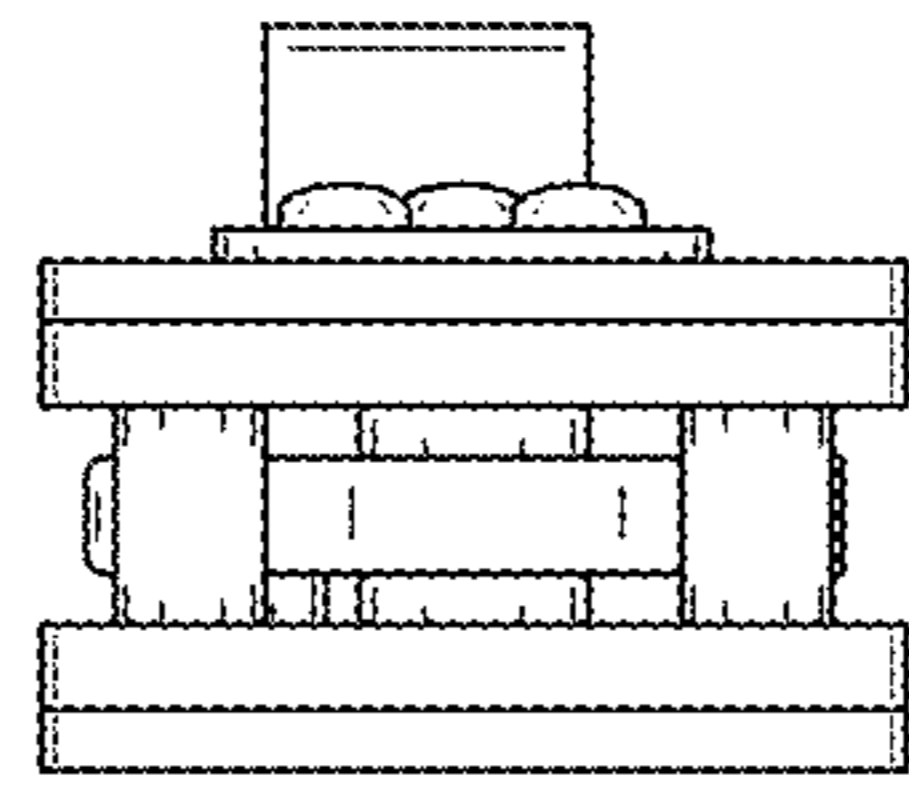


FIG.5

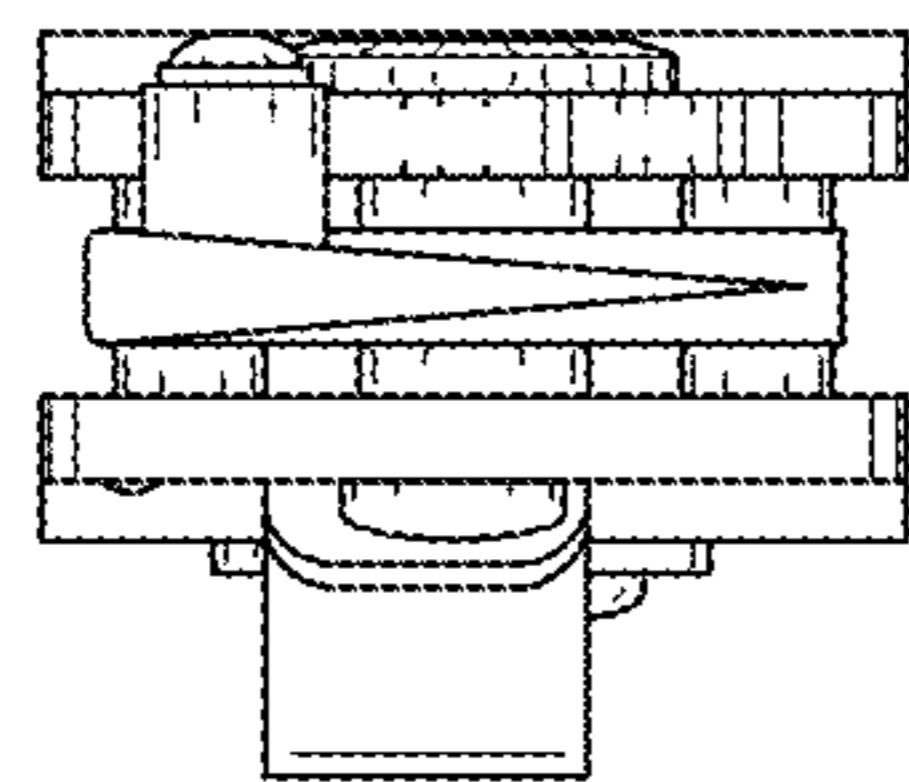


FIG.4

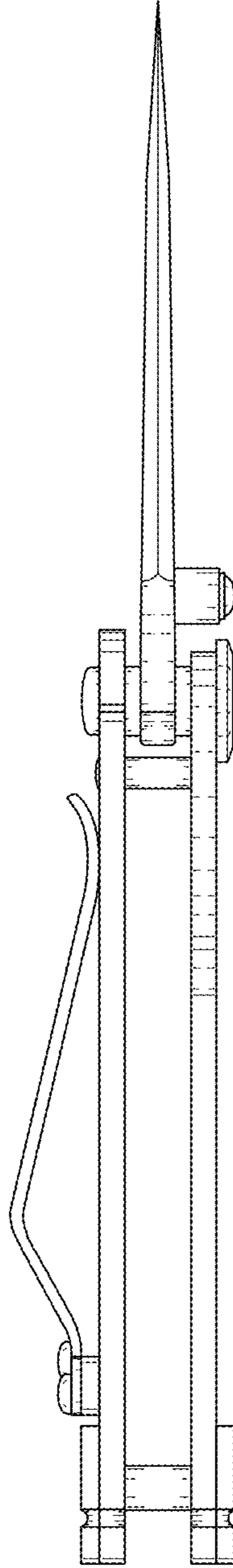


FIG.6

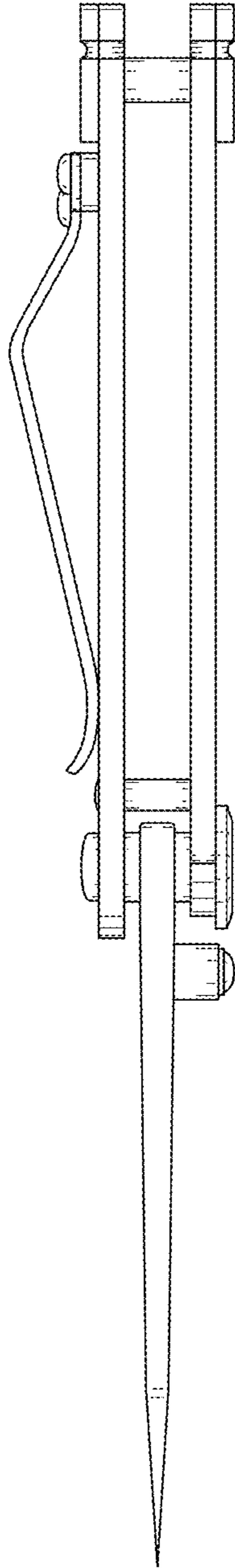


FIG.7