



US00D730709S

(12) **United States Design Patent**  
**McDonough et al.**

(10) **Patent No.:** **US D730,709 S**  
(45) **Date of Patent:** **\*\* Jun. 2, 2015**

- (54) **MULTI-PURPOSE TOOL**
- (71) Applicant: **ZIPPO MANUFACTURING COMPANY**, Bradford, PA (US)
- (72) Inventors: **James M. McDonough**, Bradford, PA (US); **Howard Tripp**, Plymouth, MN (US); **Neal Barnes**, Medina, MN (US); **Brian J. Barber**, Cyclone, PA (US)
- (73) Assignee: **ZIPPO MANUFACTURING COMPANY**, Bradford, PA (US)

2,642,906	A	6/1953	Faubion	
3,038,177	A	6/1962	Machtle	
3,392,606	A	7/1968	Wilson	
5,067,190	A	11/1991	Gagnon	
5,315,724	A *	5/1994	Trujillo et al.	7/145
D356,020	S	3/1995	Costa	
5,590,473	A	1/1997	Wang	
D455,628	S	4/2002	Douglas	
6,606,795	B2	8/2003	Erisoty et al.	
D479,113	S	9/2003	Douglas	
6,820,340	B1	11/2004	Martin et al.	

(Continued)

- (\*\*) Term: **14 Years**
- (21) Appl. No.: **29/495,358**
- (22) Filed: **Jun. 30, 2014**

**Related U.S. Application Data**

- (62) Division of application No. 29/422,433, filed on May 21, 2012.
- (51) **LOC (10) Cl.** ..... **08-03**
- (52) **U.S. Cl.**  
USPC ..... **D8/96; D8/105**
- (58) **Field of Classification Search**  
USPC ..... D8/95-97, 105; 7/143-149  
CPC ..... A01B 1/022; B23D 27/02; B23D 51/02;  
B23D 51/03; B23D 71/00; B25D 1/00;  
B25F 1/00; B25F 1/02; B27B 21/00  
See application file for complete search history.

(56) **References Cited**

**U.S. PATENT DOCUMENTS**

1,197,430	A	9/1916	Barnes et al.	
D151,725	S	11/1948	Gunn	
2,576,869	A *	11/1951	Woltemath	30/166.3

**OTHER PUBLICATIONS**

Zippo's Hatchet-Saw-Mallet. 4 pages snagged Mar. 13, 2014 at <http://www.survivaltop50.com/bushgear/>.\*

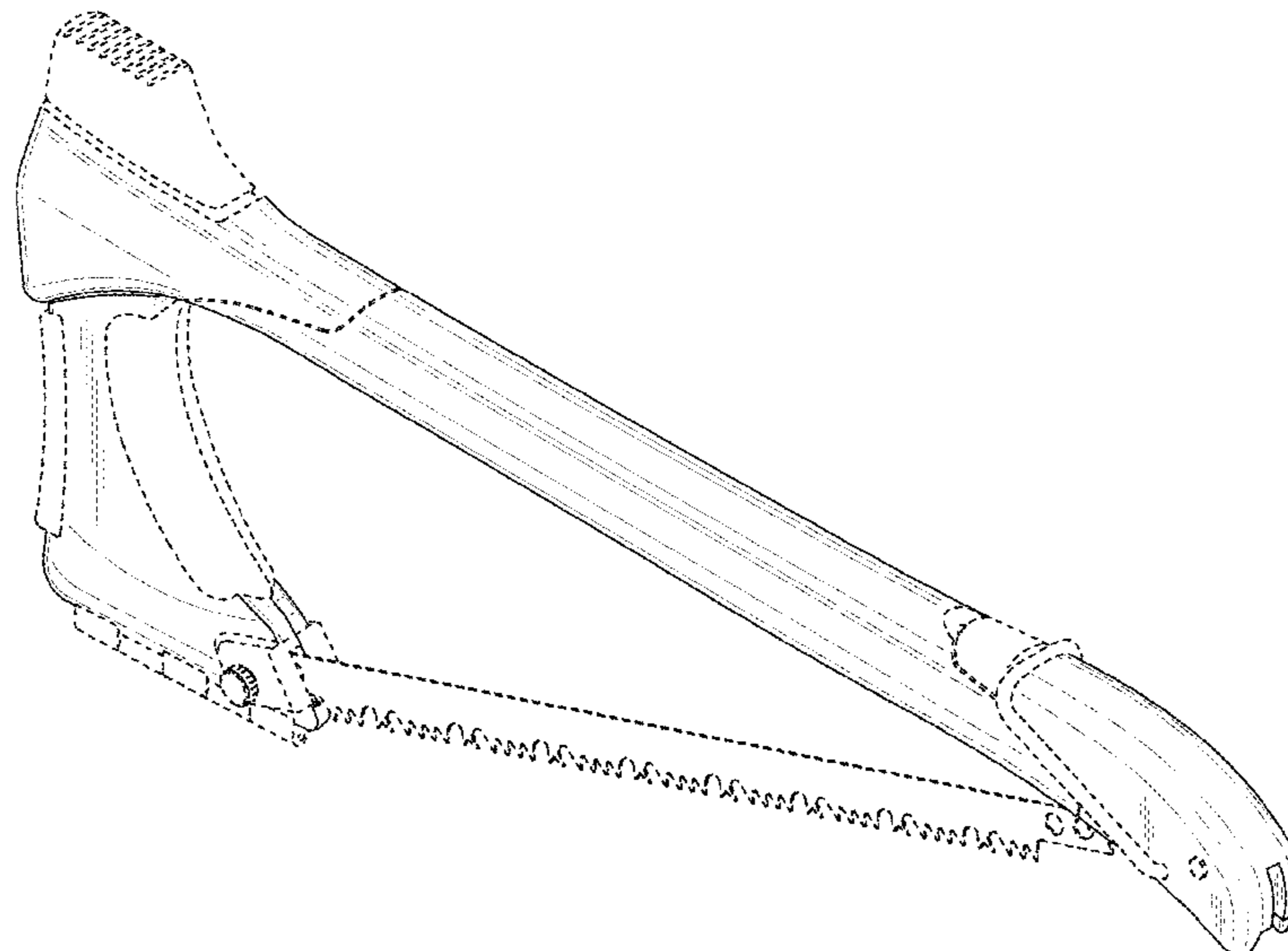
*Primary Examiner* — Philip S Hyder  
*Assistant Examiner* — Roselynn Cody  
(74) *Attorney, Agent, or Firm* — Squire Patton Boggs (US) LLP

(57) **CLAIM**  
The ornamental design for a multi-purpose tool, as shown and described.

**DESCRIPTION**

FIG. 1 is a perspective view of a multi-purpose tool, showing our new design;  
FIG. 2 is a side view of the multi-purpose tool;  
FIG. 3 is an alternate side view of the multi-purpose tool;  
FIG. 4 is a front view of the multi-purpose tool;  
FIG. 5 is a rear view of the multi-purpose tool;  
FIG. 6 is a top view of the multi-purpose tool; and,  
FIG. 7 is a bottom view of the multi-purpose tool.  
The broken lines in the drawings illustrate features of the multi-purpose tool that form no part of the claim.

**1 Claim, 5 Drawing Sheets**



(56)

**References Cited**

U.S. PATENT DOCUMENTS

D519,350 S 4/2006 Critelli et al.  
D562,101 S 2/2008 Martone et al.  
D567,620 S 4/2008 Martone et al.  
D595,555 S 7/2009 Vanderbeek

7,617,608 B2 11/2009 Zakarian  
8,024,994 B2 9/2011 St. John et al.  
8,117,702 B2 2/2012 Woolley et al.  
2004/0261188 A1\* 12/2004 Mathis ..... 7/145  
2013/0283540 A1 10/2013 McDonough et al.

\* cited by examiner

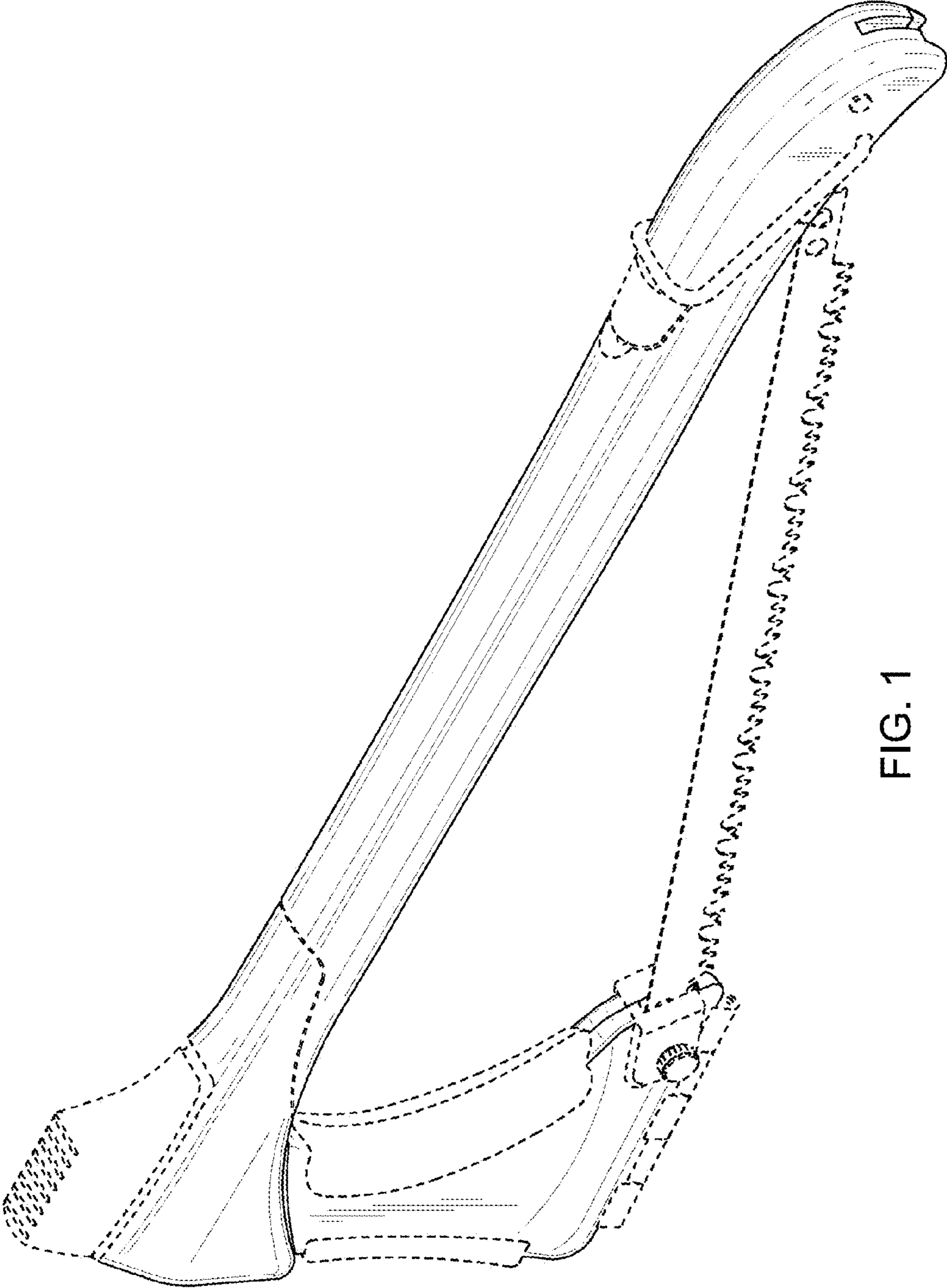


FIG. 1

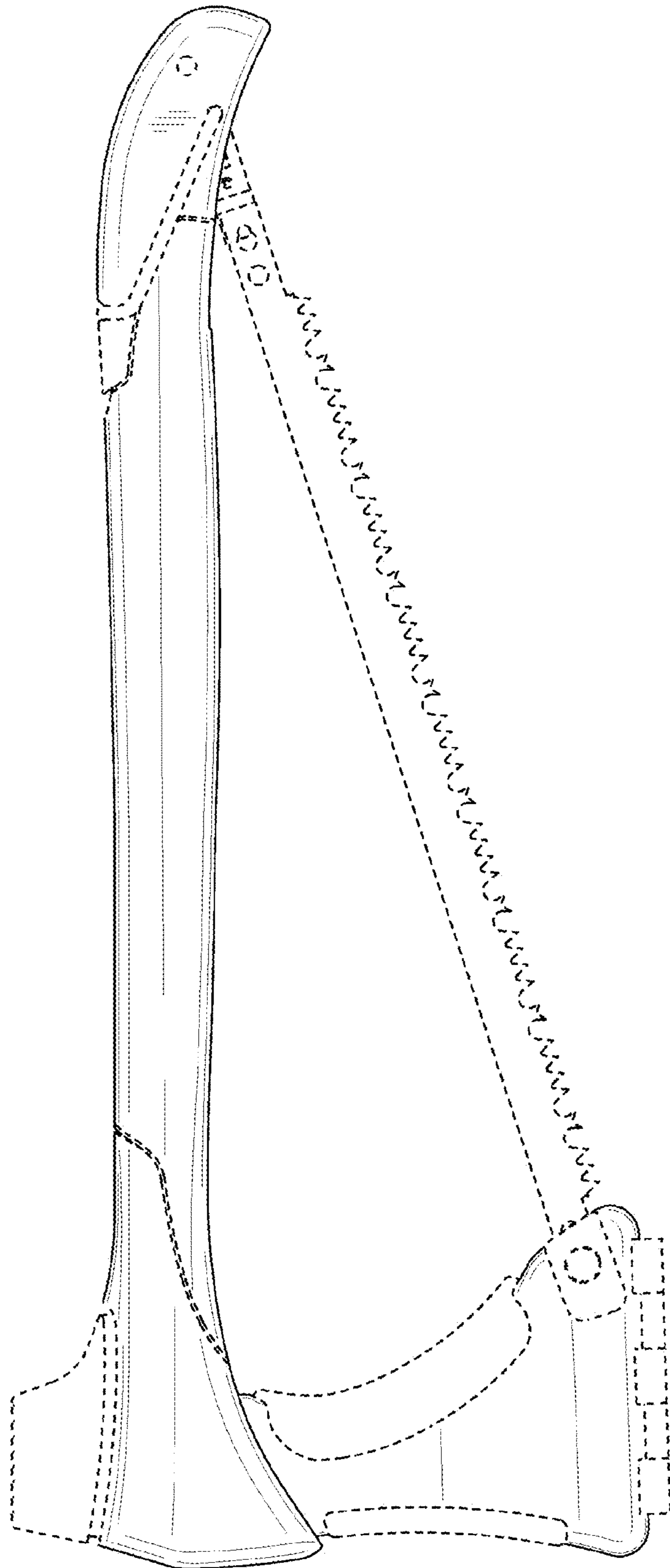


FIG. 2

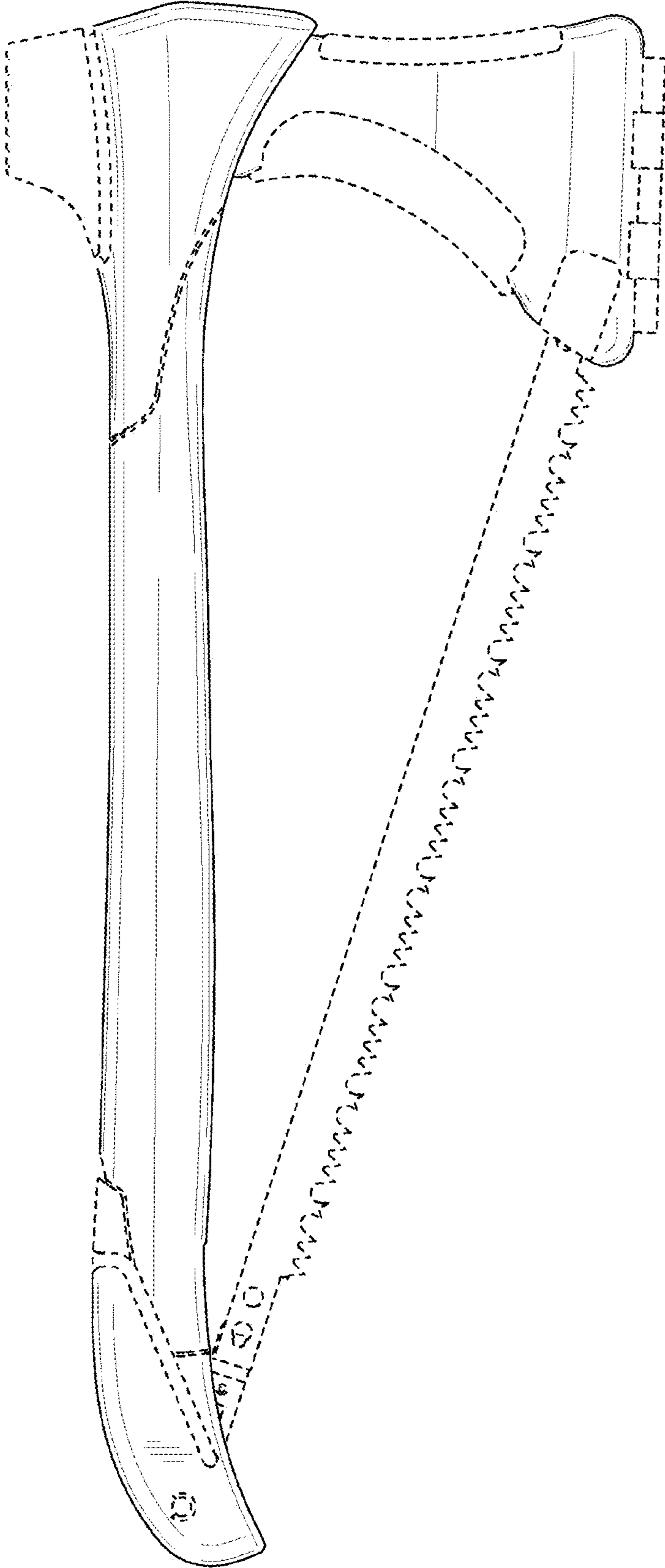


FIG. 3

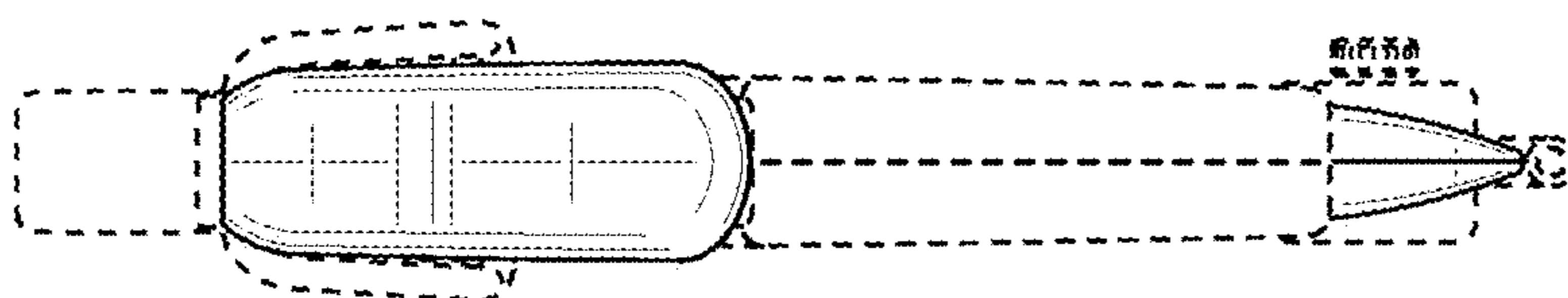


FIG. 5

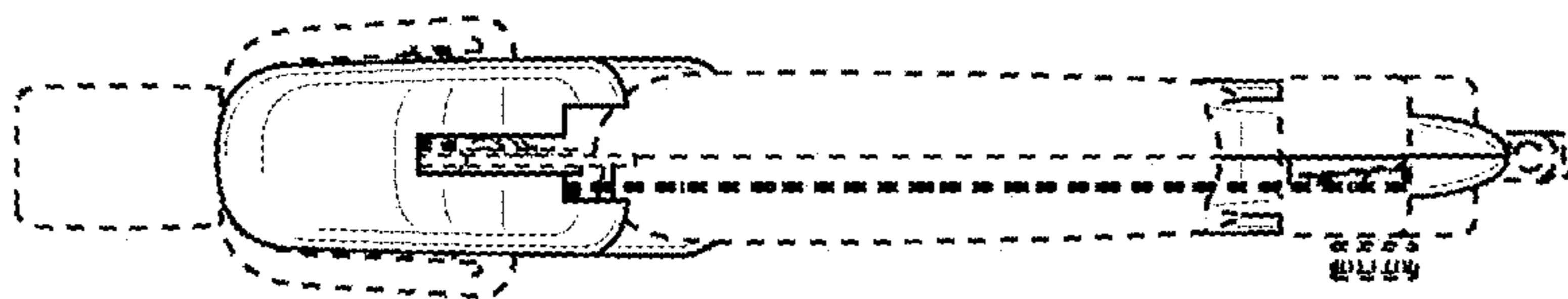


FIG. 4

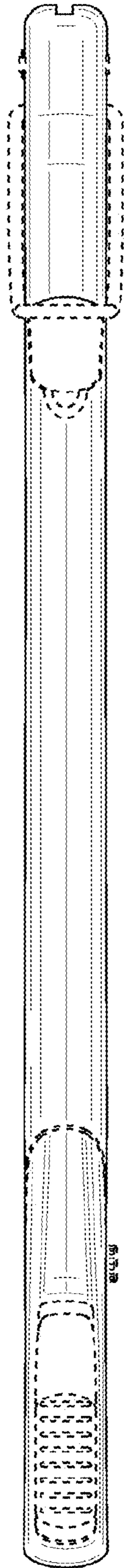


FIG. 6

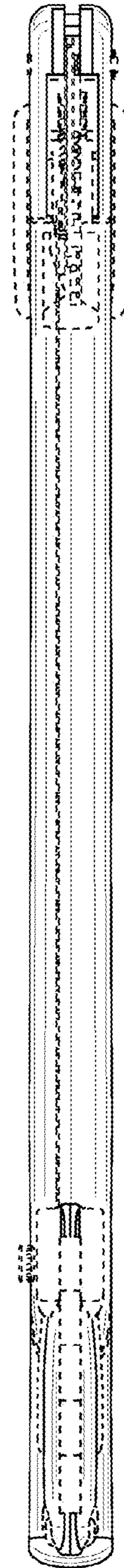


FIG. 7