



US00D730708S

(12) **United States Design Patent**
Spector et al.

(10) **Patent No.:** **US D730,708 S**
(45) **Date of Patent:** **** Jun. 2, 2015**

(54) **SHOCK CLAMP**

D551,528 S * 9/2007 Vautour D8/72
D556,531 S * 12/2007 Allen D8/72
D583,640 S * 12/2008 Gilham D8/73

(71) Applicants: **Neil H. Spector**, Louisburg, KS (US);
Bruce P. Rooney, Louisburg, KS (US)

* cited by examiner

(72) Inventors: **Neil H. Spector**, Louisburg, KS (US);
Bruce P. Rooney, Louisburg, KS (US)

Primary Examiner — David Muller

(74) *Attorney, Agent, or Firm* — William J. Jacob; Donna
Denise Mashburn

(**) Term: **14 Years**

(57) **CLAIM**

(21) Appl. No.: **29/483,067**

The ornamental design for a shock clamp, as shown and
described.

(22) Filed: **Feb. 25, 2014**

DESCRIPTION

(51) **LOC (10) Cl.** **08-05**

(52) **U.S. Cl.**

USPC **D8/73**

(58) **Field of Classification Search**

USPC D8/71-74, 394-399, 59; 248/63, 72,
248/74.1, 689, 124.2; 81/487, 385, 386,
81/388-390; 269/3, 4, 6, 143, 165, 240,
269/243, 246-249, 254 R, 147-149; 29/256,
29/257, 276

See application file for complete search history.

FIG. 1 is a front perspective view of a shock clamp having the
engaging member partially inserted within the holding space,
in accordance with the present invention;

FIG. 2 is an end elevation view of the shock clamp shown in
FIG. 1, viewing the side receiving the member;

FIG. 3 is an end elevation view of the shock clamp shown in
FIG. 1, viewing the side opposite the member;

FIG. 4 is a side elevation view of the shock clamp shown in
FIG. 1, viewing the side defining the space;

FIG. 5 is a side elevation view of the shock clamp shown in
FIG. 1, viewing the side opposite the space;

FIG. 6 is a top plan view of the shock clamp shown in FIG. 1;

FIG. 7 is a bottom plan view of the shock clamp shown in FIG.
1; and,

FIG. 8 is a perspective view of the shock clamp shown in
FIGS. 1-7, operably engaging a shock absorber, the shock
absorber being shown in broken lines.

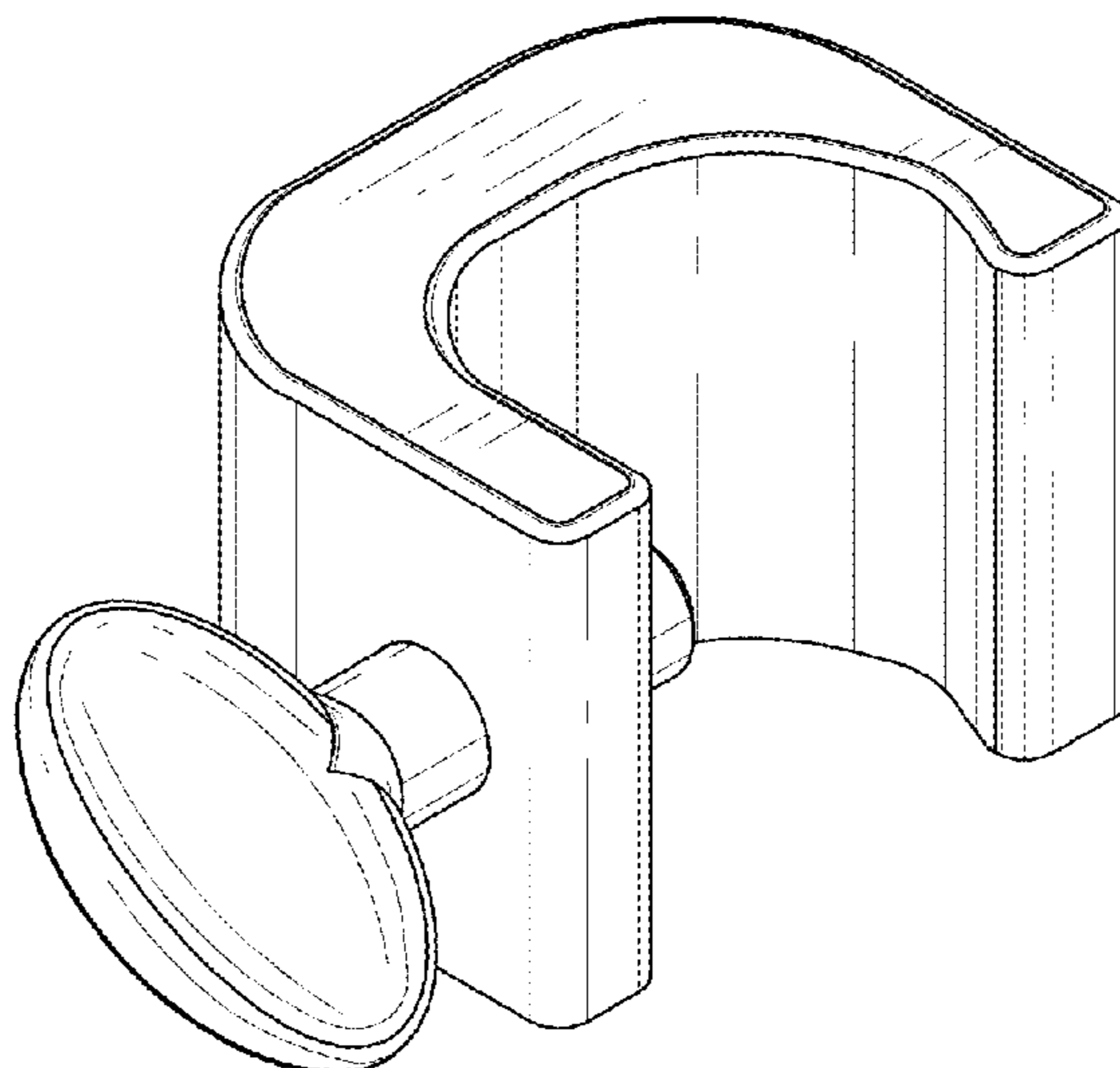
The broken line showing of parts of the drawings is included
for the purpose of illustrating use and environment and forms
no part of the claimed design.

(56) **References Cited**

U.S. PATENT DOCUMENTS

D267,625 S *	1/1983	Dark	D8/73
D344,226 S *	2/1994	Glynn	D8/73
D358,971 S *	6/1995	Glynn	D8/73
D378,343 S *	3/1997	Macor	D8/73
D392,171 S *	3/1998	Miller	D8/72
D393,998 S *	5/1998	Anderson	D8/394
D443,493 S *	6/2001	Skeem	D8/72
6,363,595 B1 *	4/2002	Roy	29/257
7,018,126 B2 *	3/2006	Henricksen	403/286
7,073,754 B2 *	7/2006	Shuey	248/72

1 Claim, 5 Drawing Sheets



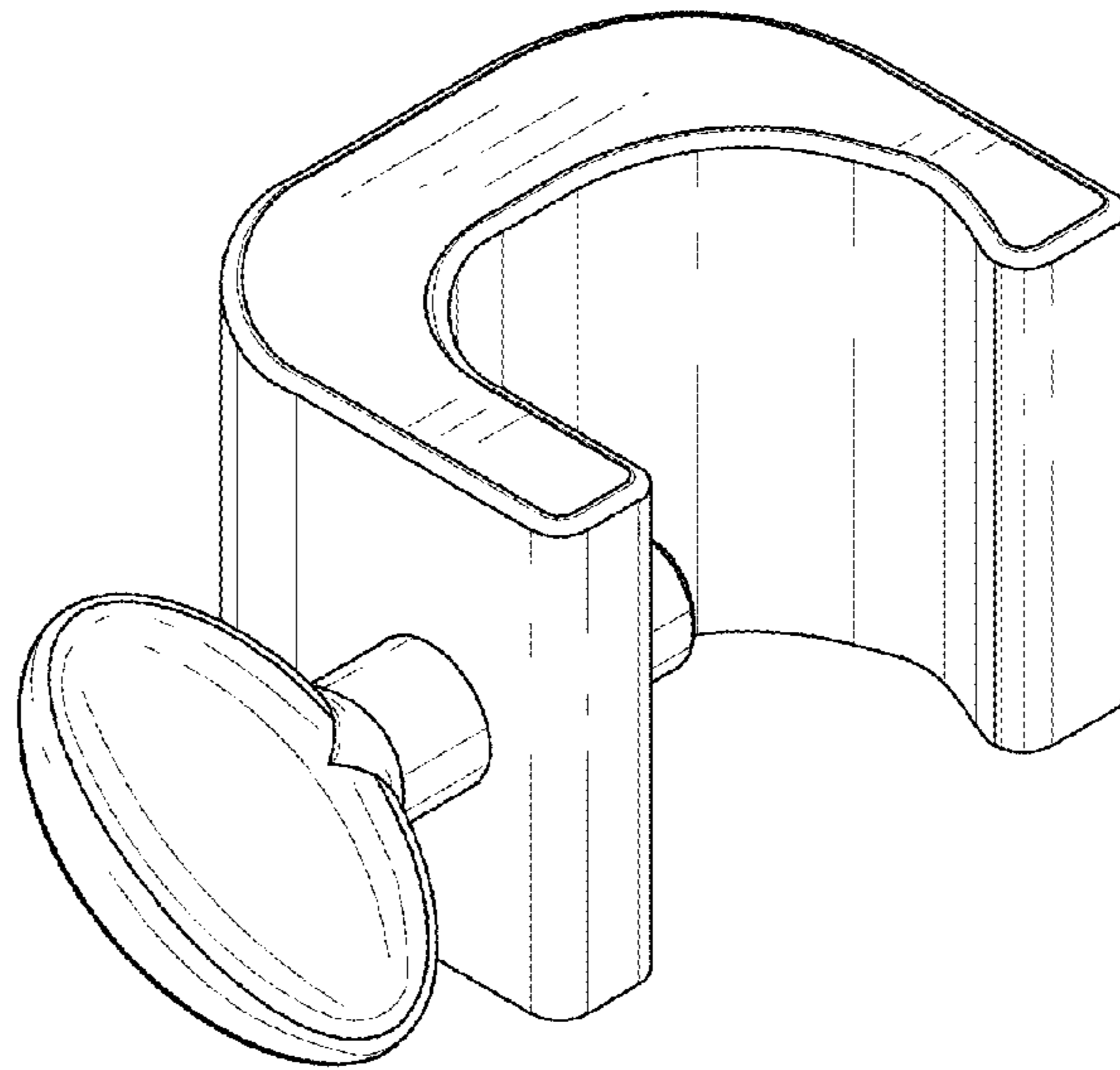


FIG. 1

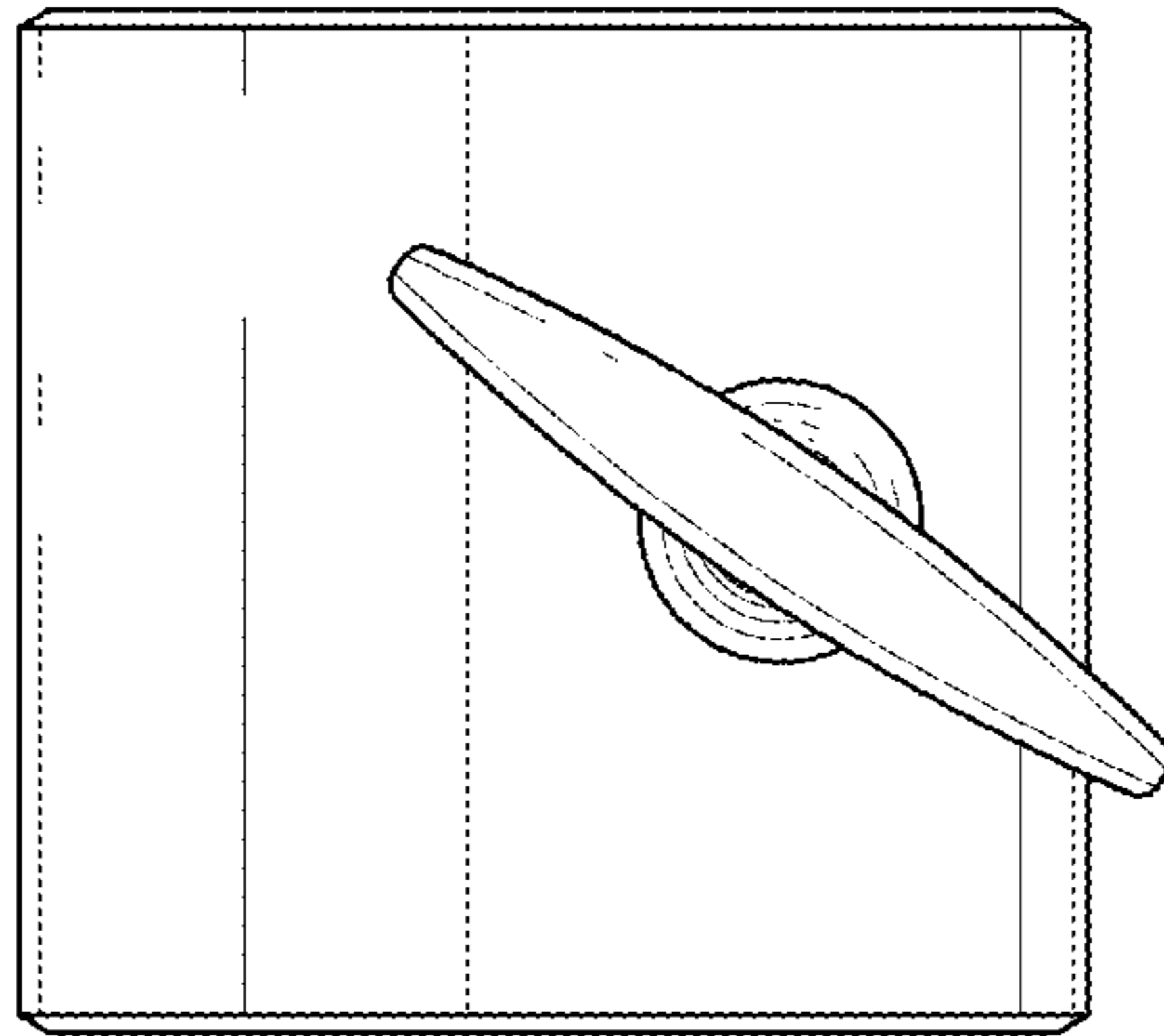


FIG. 2

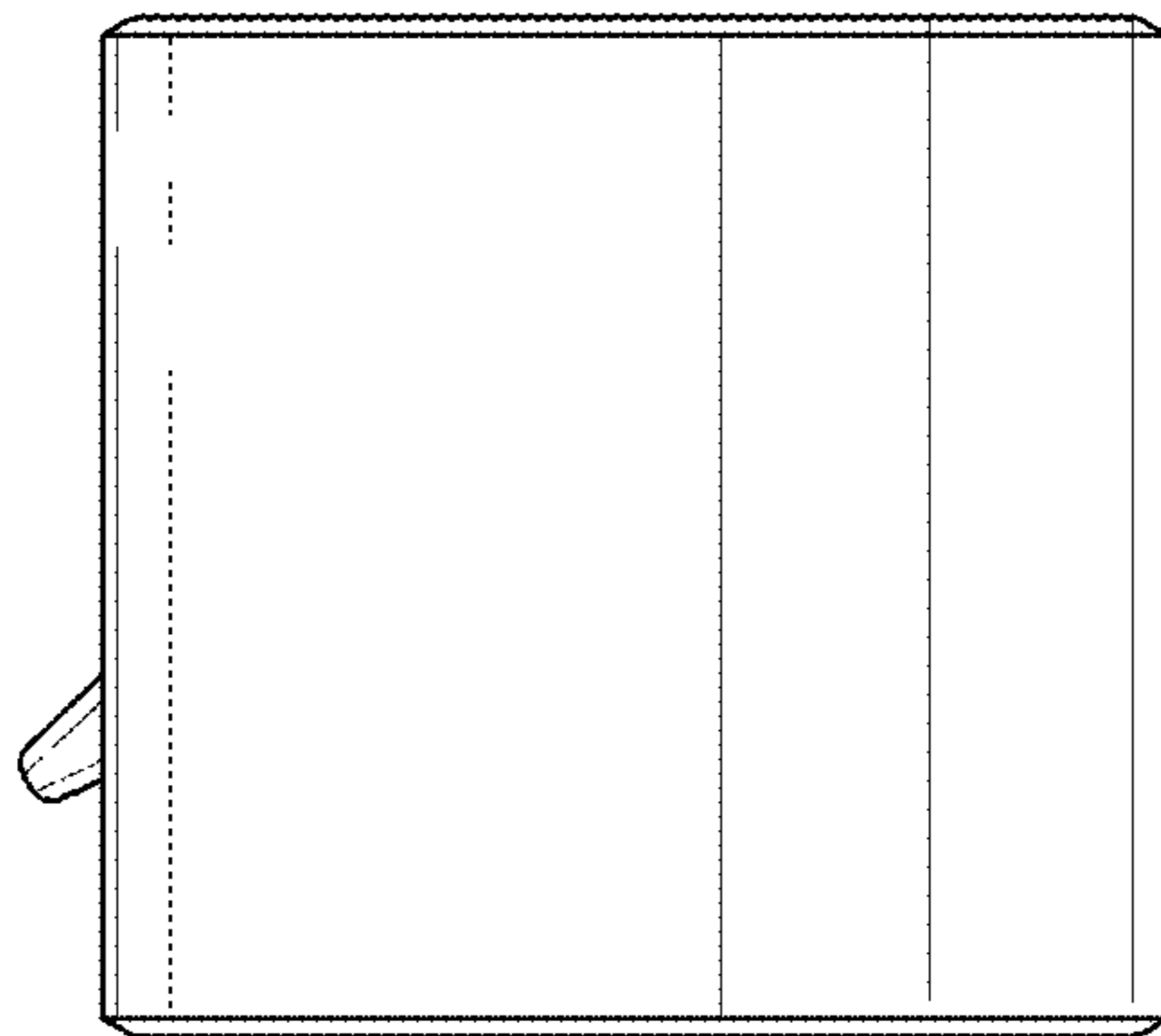


FIG. 3

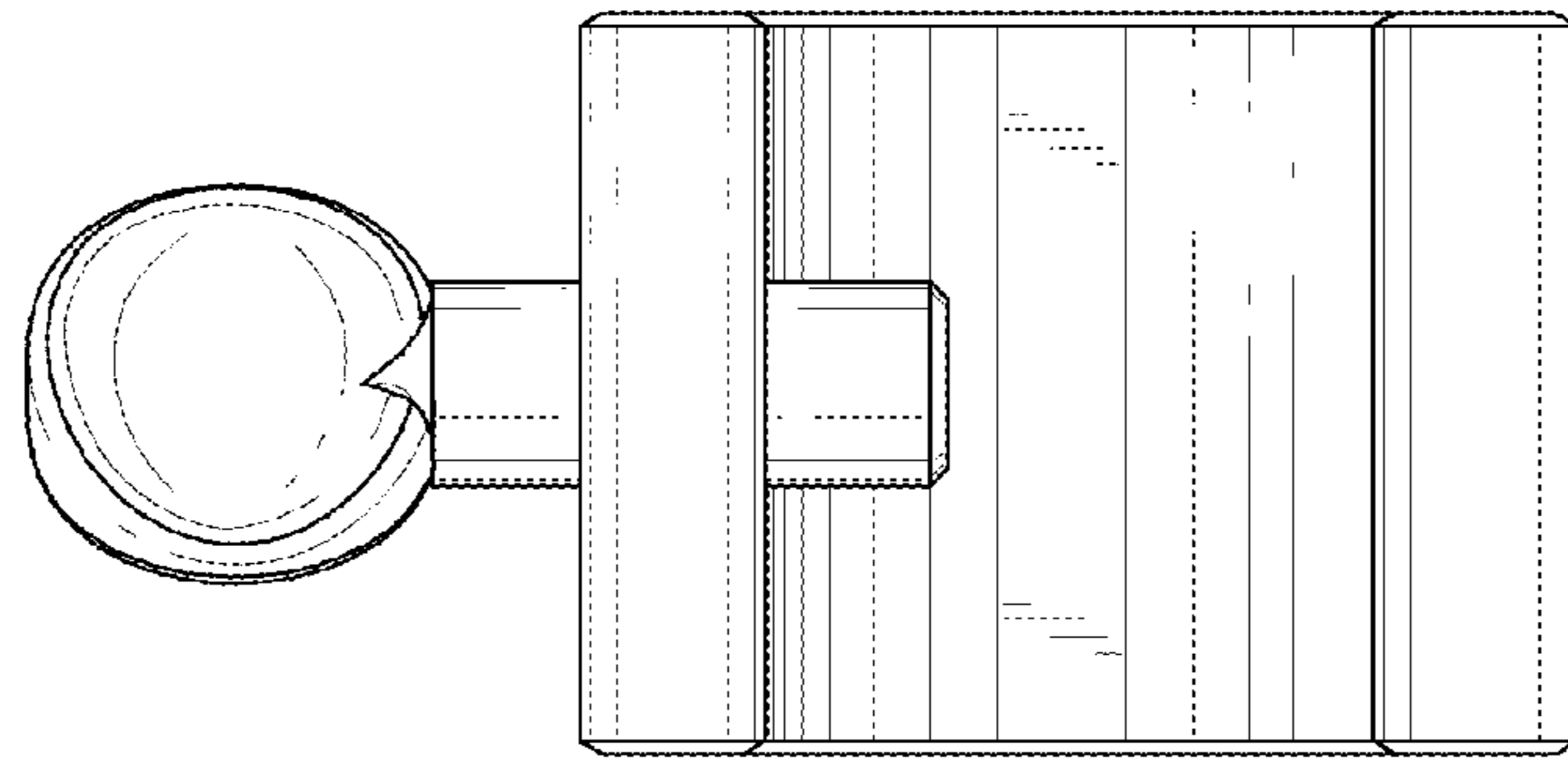


FIG. 4

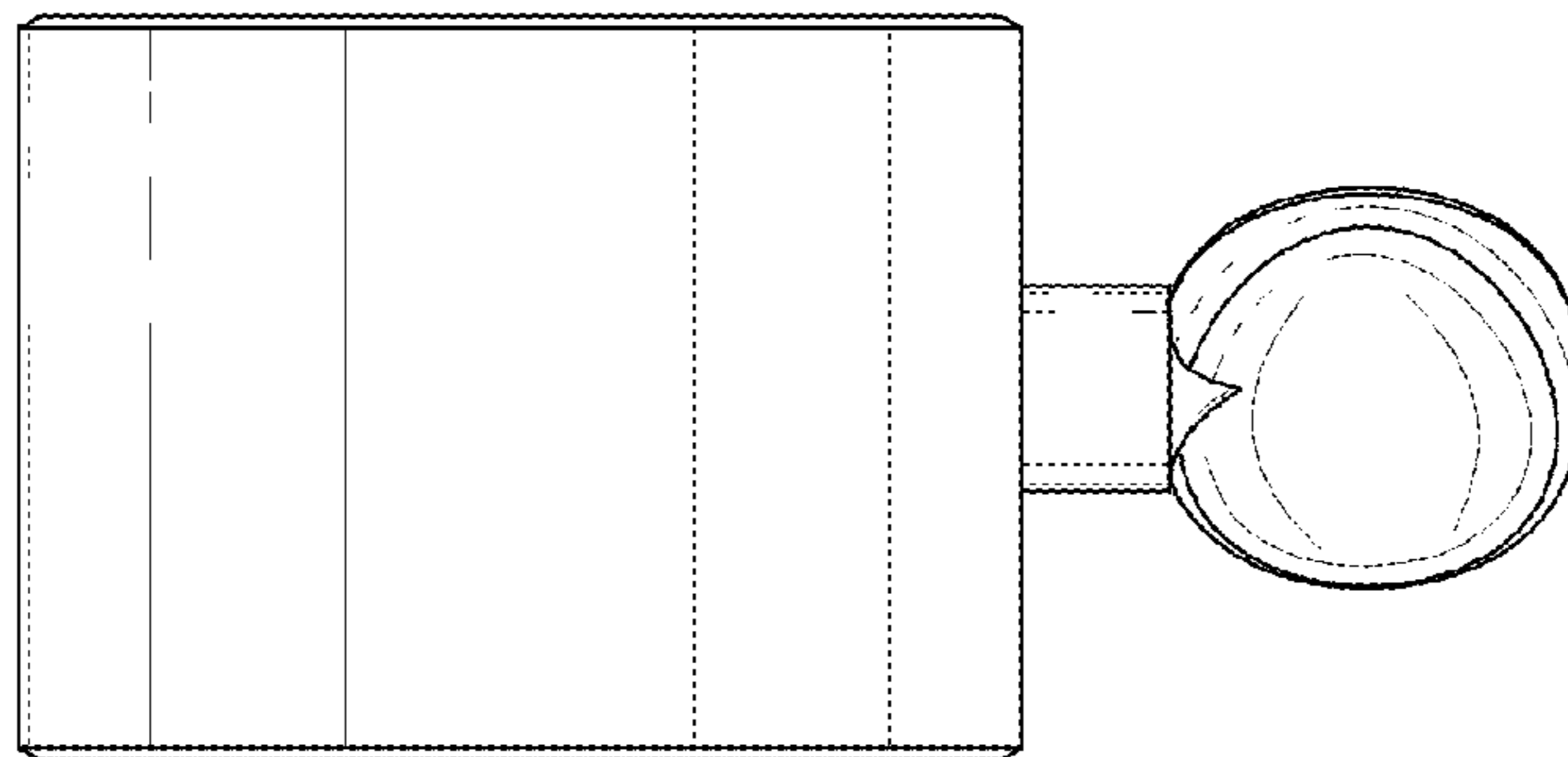


FIG. 5

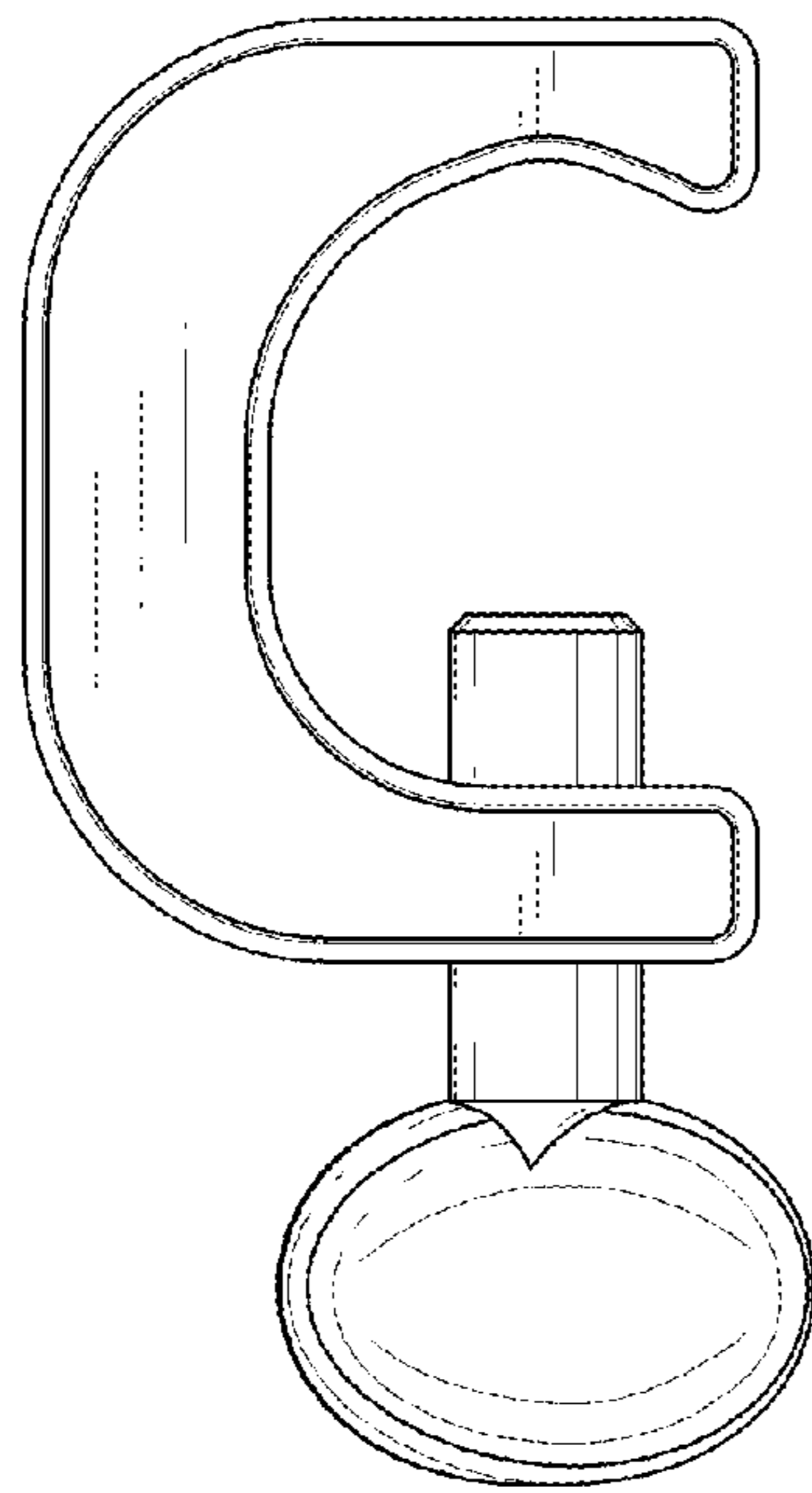


FIG. 6

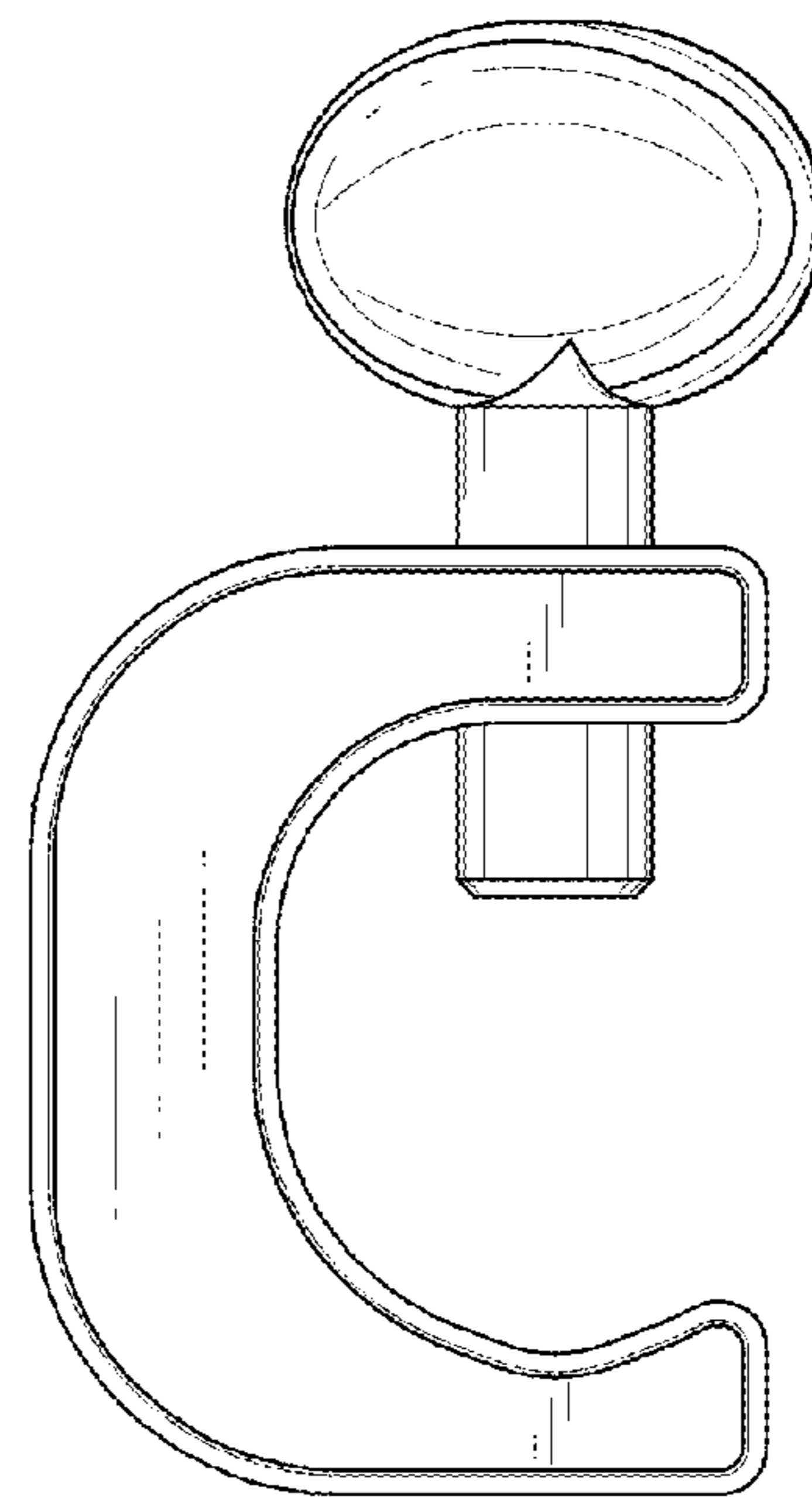


FIG. 7

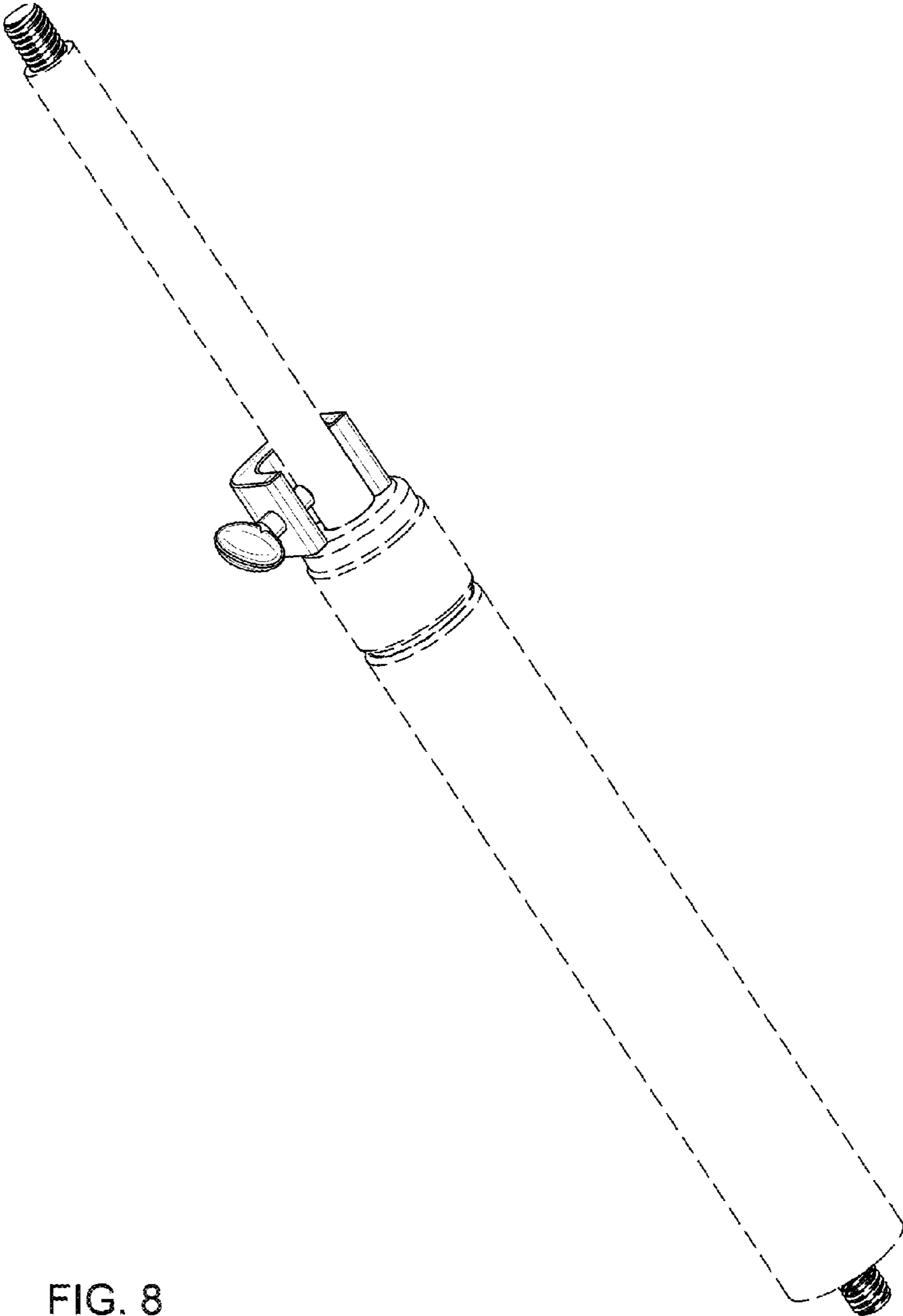


FIG. 8