



US00D730705S

(12) **United States Design Patent**
Brown et al.

(10) **Patent No.:** **US D730,705 S**
(45) **Date of Patent:** **** Jun. 2, 2015**

(54) **WHISK**

(71) Applicant: **Target Brands, Inc.**, Minneapolis, MN (US)

(72) Inventors: **Emily T. Brown**, Minneapolis, MN (US); **Kendal L. Dudek**, Minneapolis, MN (US); **Jennifer M. Robertus**, Crystal, MN (US); **Patrick R. O'Connell**, St. Louis Park, MN (US)

(73) Assignee: **Target Brands, Inc.**, Minneapolis, MN (US)

(**) Term: **14 Years**

(21) Appl. No.: **29/459,114**

(22) Filed: **Jun. 26, 2013**

(51) **LOC (10) Cl.** **07-02**

(52) **U.S. Cl.**
USPC **D7/690**

(58) **Field of Classification Search**
USPC D7/680-696, 393, 395, 669; 7/110, 7/112; 366/129, 130, 342-344, 325.6, 366/325.1; 416/70 R, 69, 71, 72, 76, 77, 416/227 R, 230; 30/232, 326, 327
CPC A47J 43/1093; A47J 43/0711
See application file for complete search history.

(56) **References Cited**

U.S. PATENT DOCUMENTS

2,798,702	A	7/1957	Fjellstedt	
3,412,983	A *	11/1968	Kesilman et al.	416/70 R
4,735,510	A *	4/1988	Barbour et al.	366/343
D304,009	S	10/1989	Gecchelin	
5,219,223	A	6/1993	Schmitt	
D480,612	S	10/2003	Schülein	
D527,959	S *	9/2006	Fung	D7/690
D541,601	S *	5/2007	Fung	D7/690

(Continued)

OTHER PUBLICATIONS

Office Action from Canadian Pat. Application No. 153,349, mailed May 8, 2014 (2 pages).

(Continued)

Primary Examiner — Terry Wallace

(74) *Attorney, Agent, or Firm* — Leanne Taveggia Farrell; Westman, Champlin & Koehler, P.A.

(57) **CLAIM**

The ornamental design for a whisk, as shown and described.

DESCRIPTION

FIG. 1 is a perspective view of a whisk showing our new design;

FIG. 2 is a top view thereof;

FIG. 3 is a section view thereof;

FIG. 4 is an enlarged view of a representative portion of the section view thereof;

FIG. 5 is a back end view thereof;

FIG. 6 is a front end view thereof;

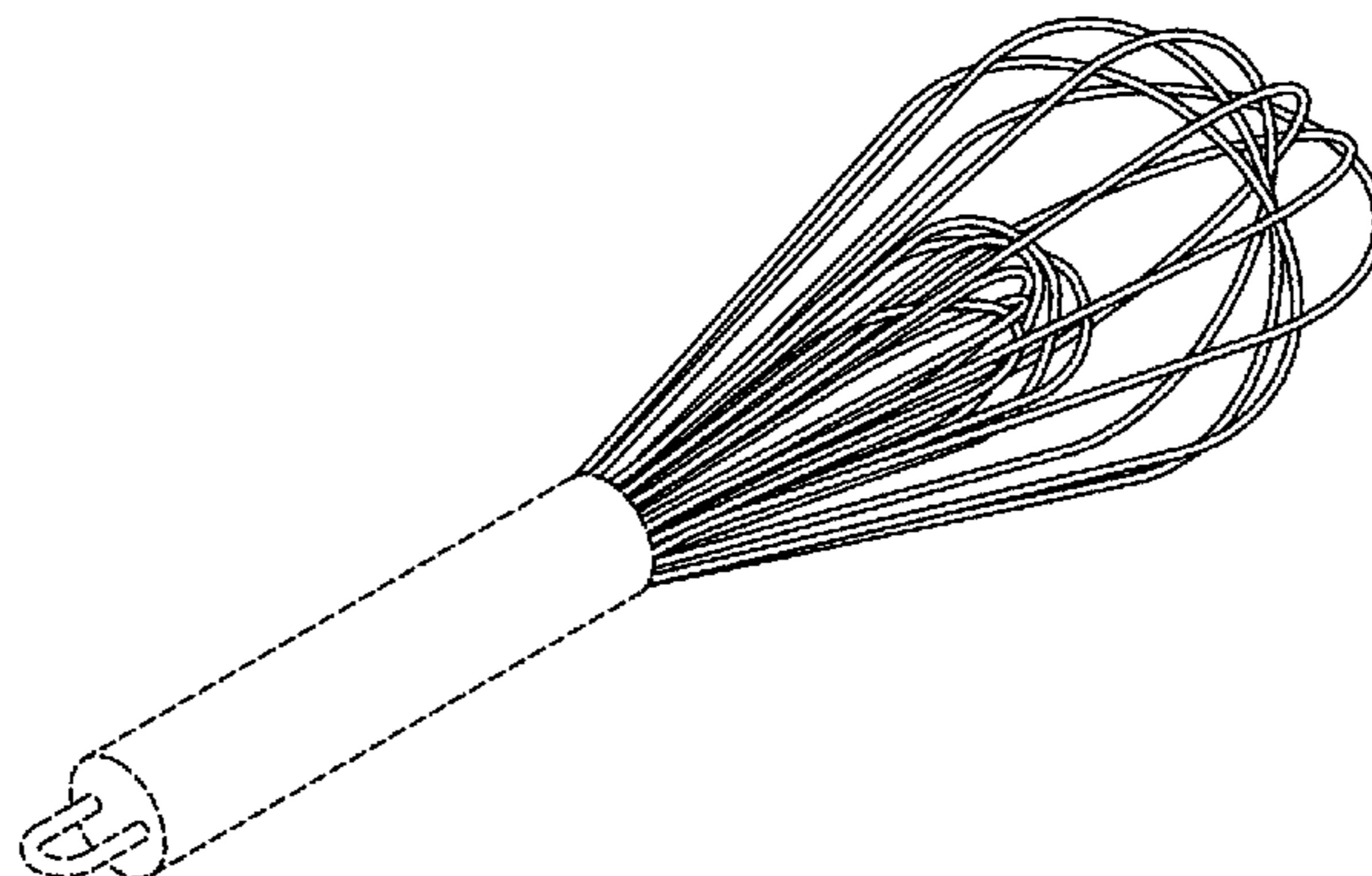
FIG. 7 is a bottom view thereof;

FIG. 8 is a right side view thereof; and,

FIG. 9 is a left side view thereof.

The broken lines shown in the drawings are included for purposes of illustrating handle portions of the whisk and form no part of the claimed design. In FIGS. 1-9, the entire outer surface of each outer loop member that is located adjacent an outer periphery of the disclaimed handle portions all have a shiny surface as depicted by the linear shading on the representative outer loop member in FIG. 4 and are all made of the same material as depicted by the illustrated hatching of representative outer loop member in FIG. 4, while the entire outer surface of each inner loop member that is located closer to the center of the disclaimed handle portions all have a matte surface as depicted by the stipple shading on the representative inner loop member in FIG. 4 and are all made of the same material as depicted by the illustrated hatching of the representative inner loop member in FIG. 4.

1 Claim, 2 Drawing Sheets



(56)

References Cited

U.S. PATENT DOCUMENTS

D542,102 S	*	5/2007	Cheung	D7/690
D556,521 S		12/2007	Lion et al.	
D560,103 S		1/2008	Browne	
D582,223 S		12/2008	Vendl et al.	
D584,928 S		1/2009	Eide et al.	
D597,802 S		8/2009	Yu	
8,025,436 B2		9/2011	Hensler	
8,033,713 B2		10/2011	Lion	

OTHER PUBLICATIONS

Quirky, "Introducing . . . Bloom," <http://aquirkyblog.com/tag/retractable-whisk/>, at least as early as Feb. 2013, 1 page.

Williams-Sonoma, "Zwilling J.A. Henckels Pure Twin Whisk," <http://www.williams-sonoma.com/products/zwilling-ja-henckels-pure-twin-whisk/>, at least as early as Feb. 2013, 1 page.

* cited by examiner

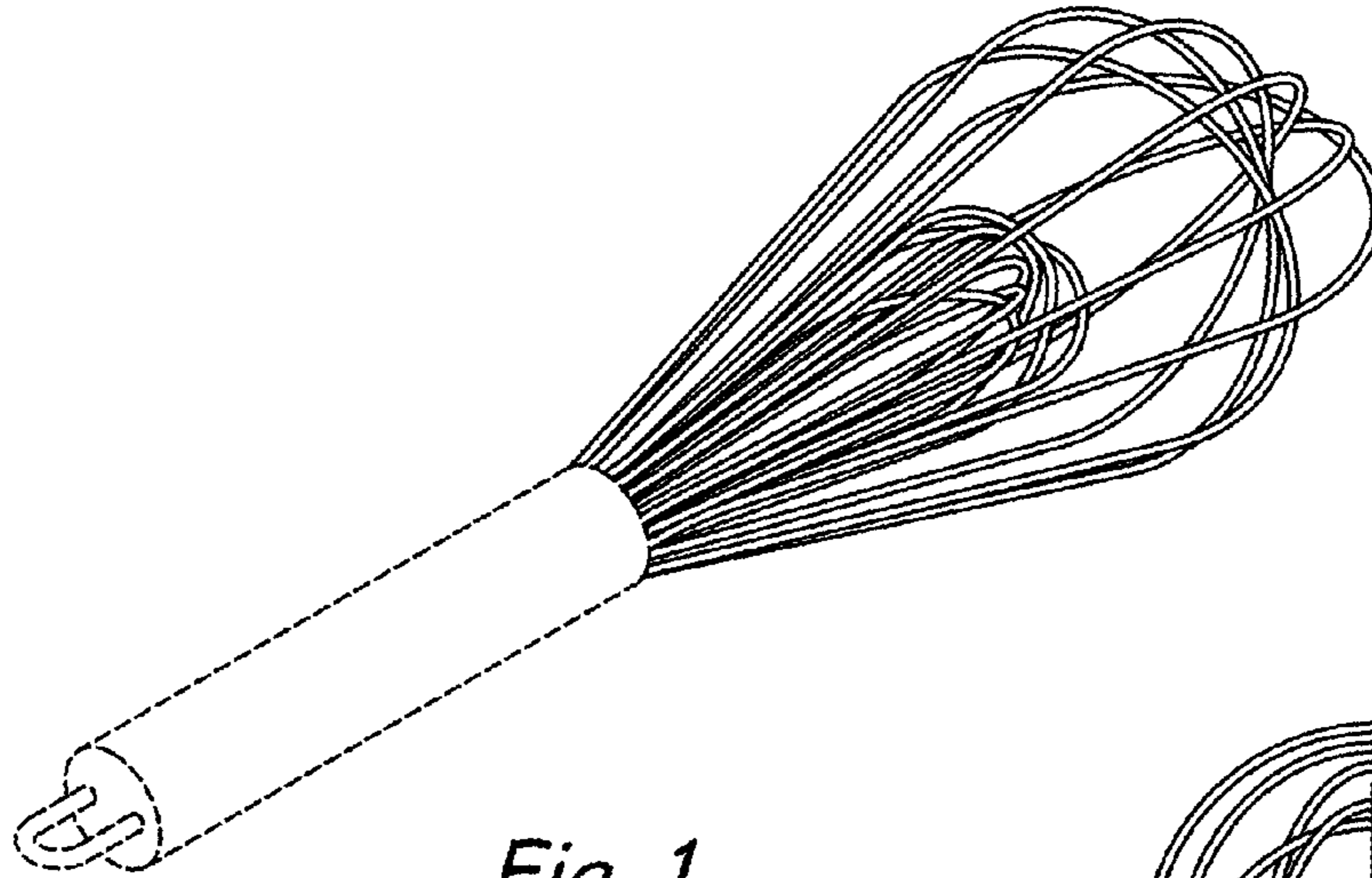


Fig. 1

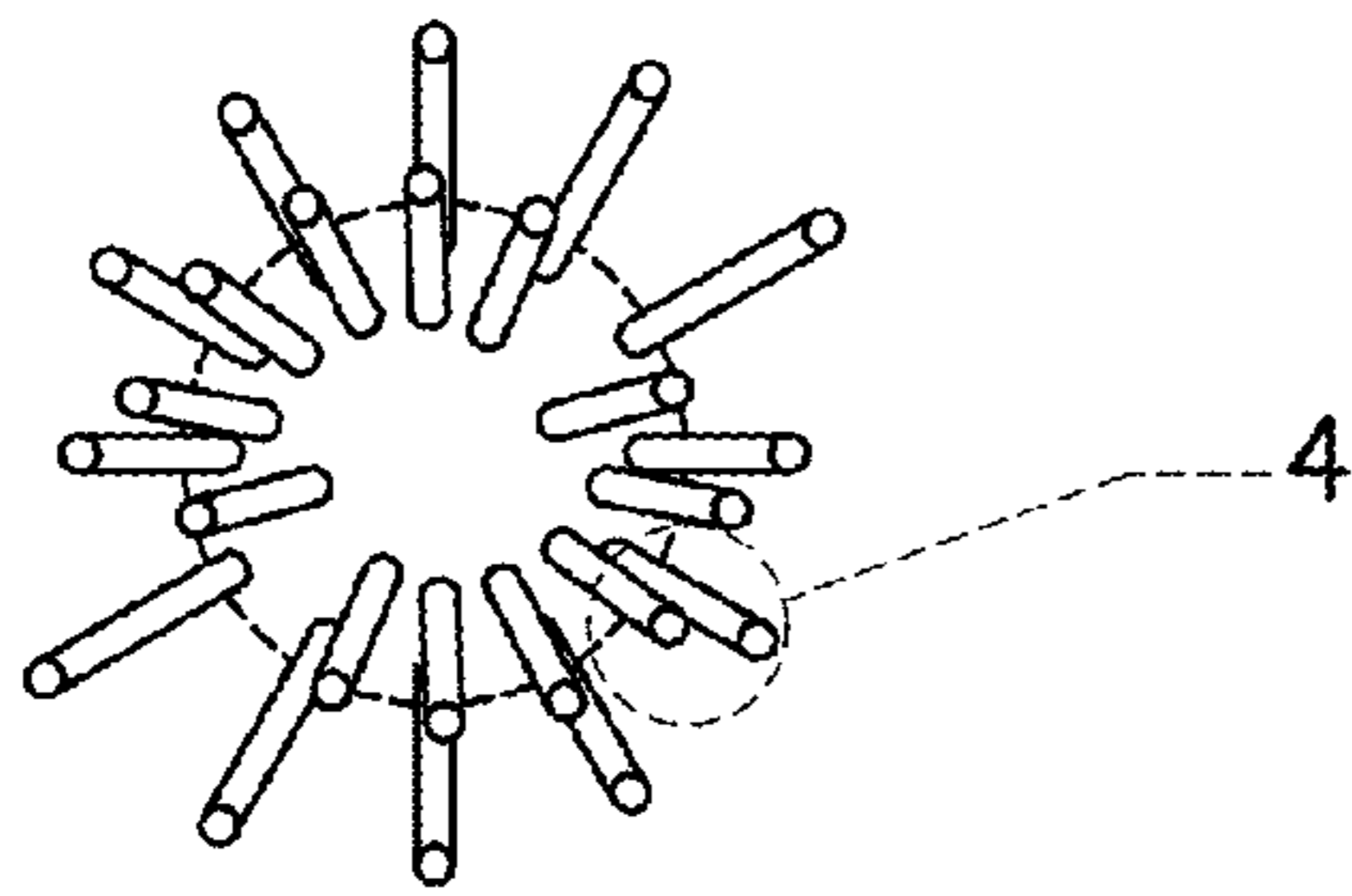


Fig. 3

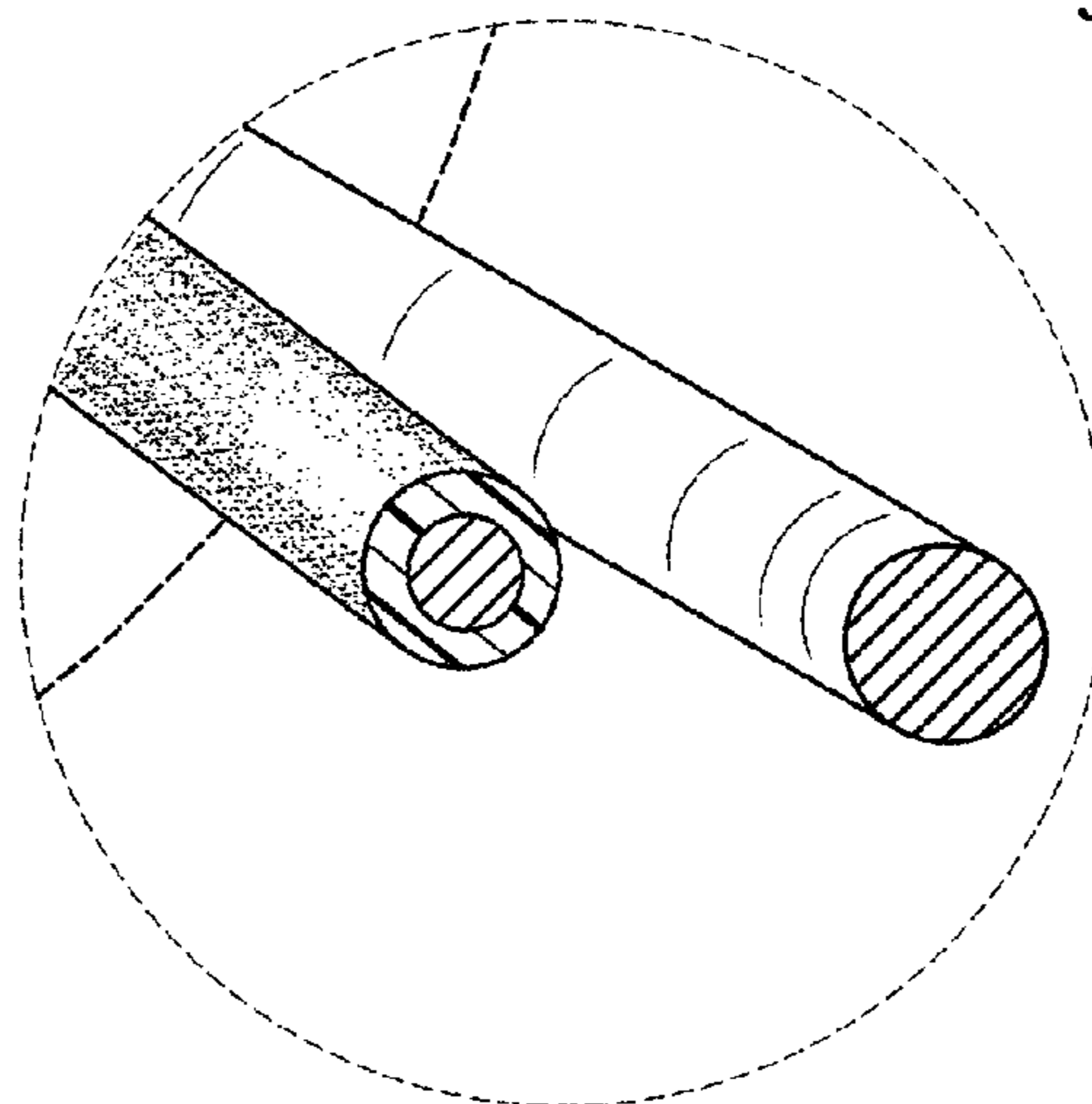


Fig. 4

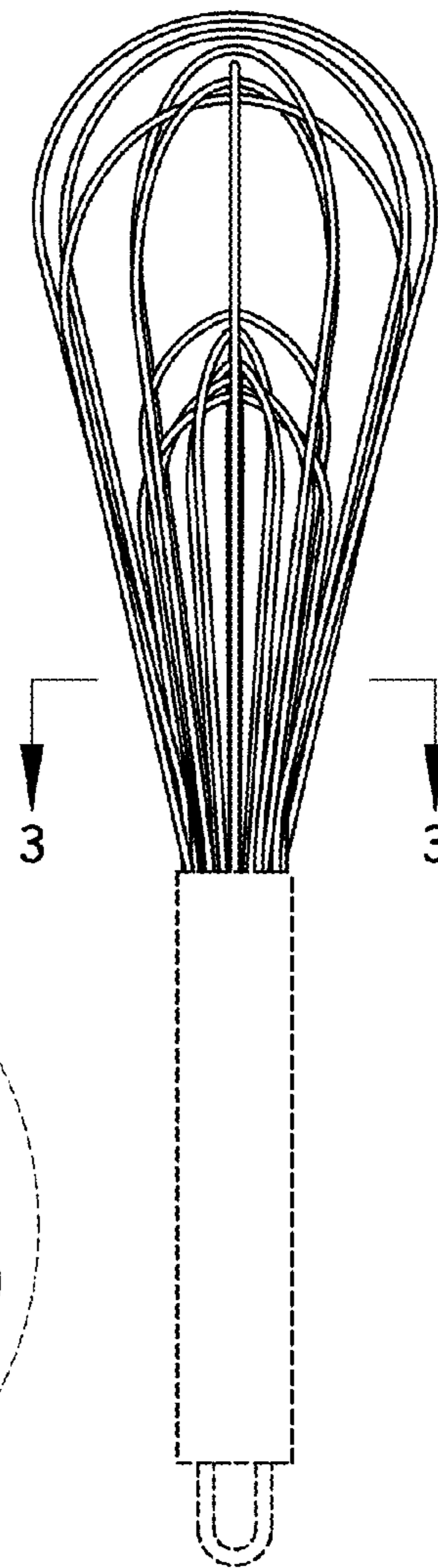


Fig. 2

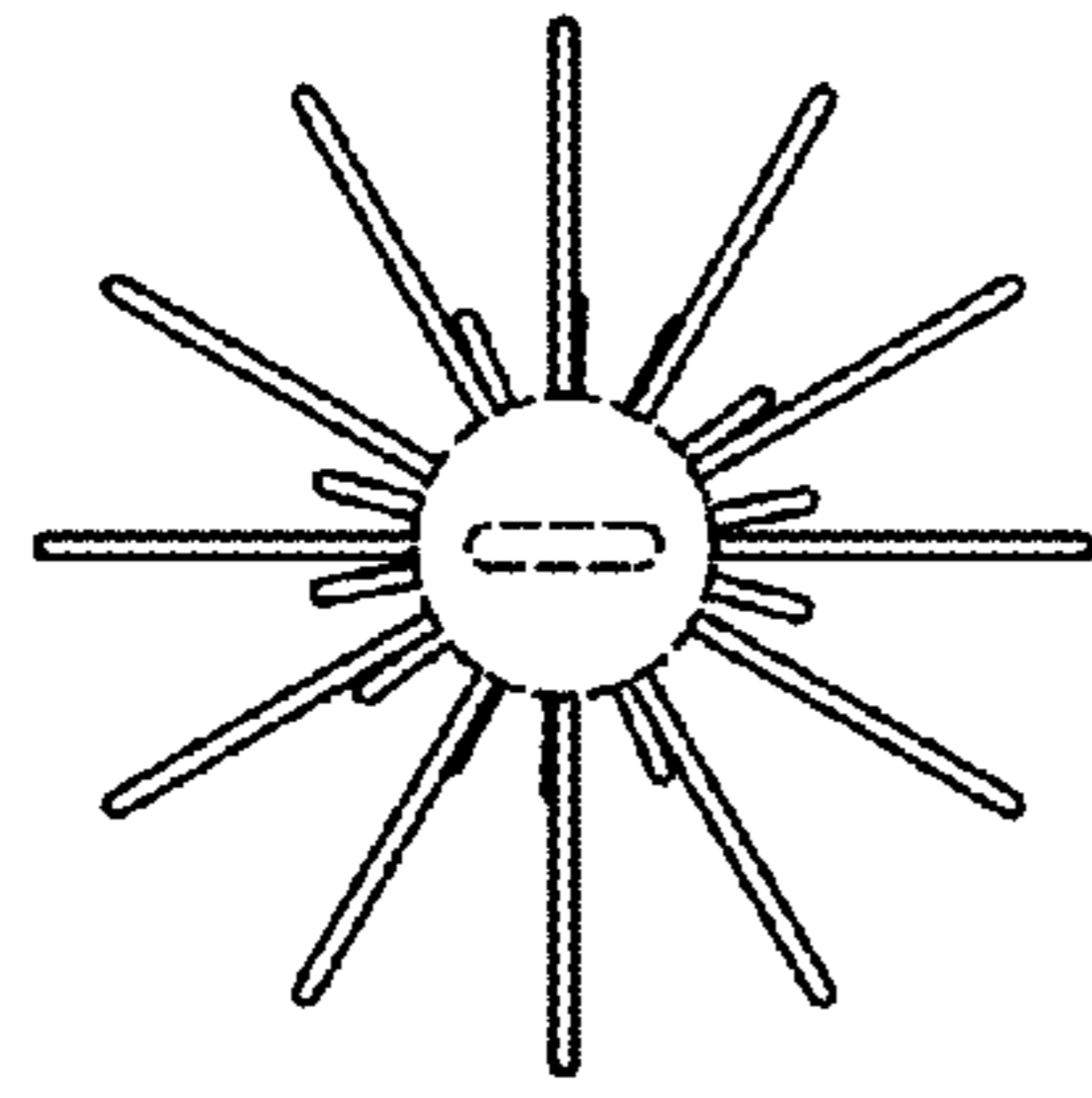


Fig. 5

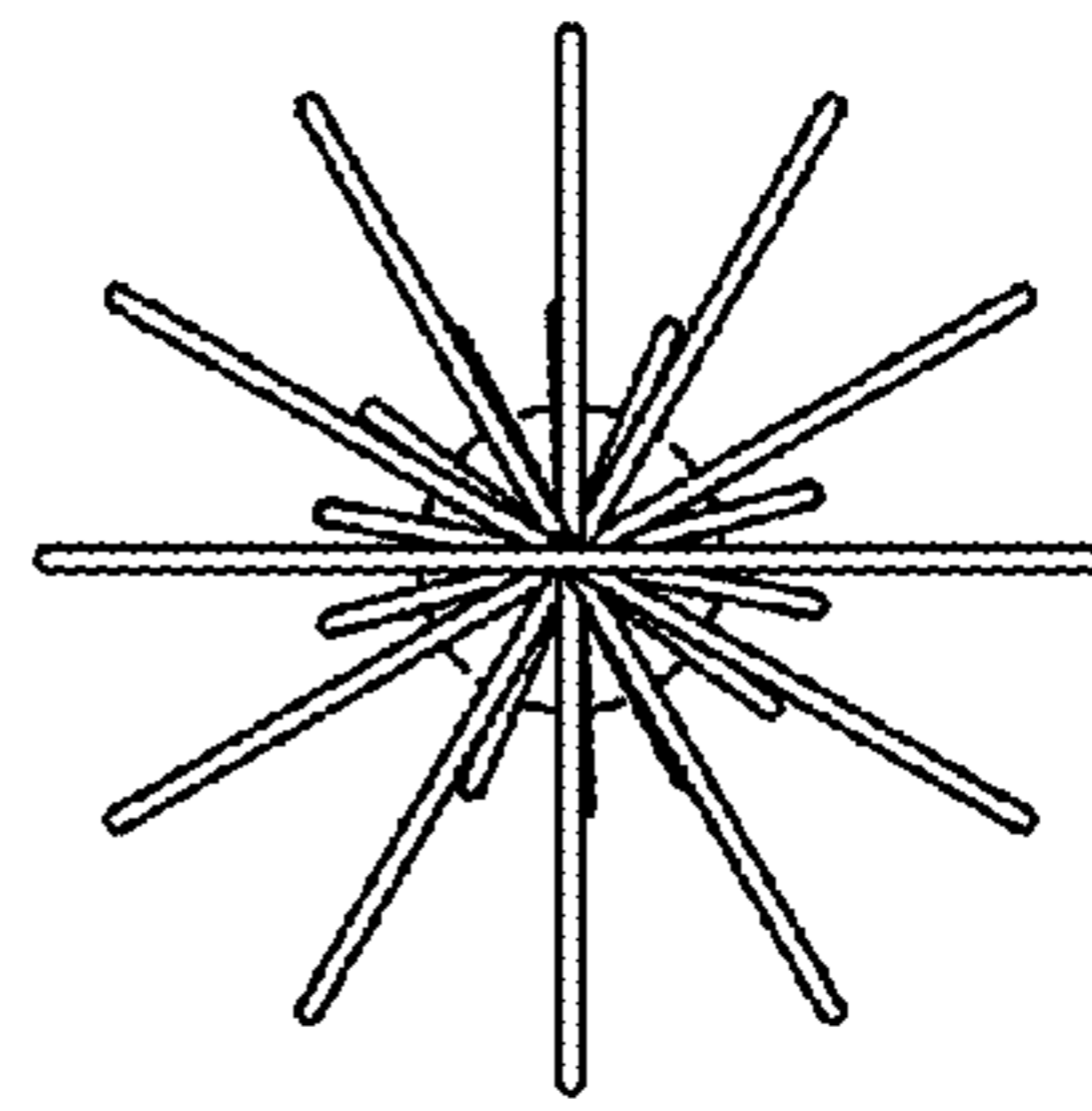


Fig. 6

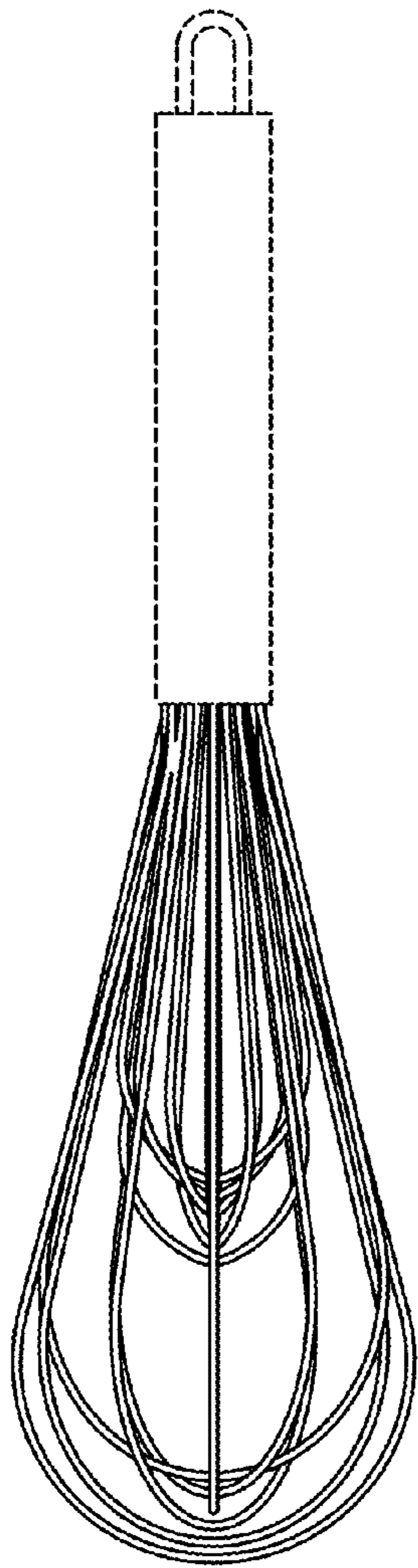


Fig. 7

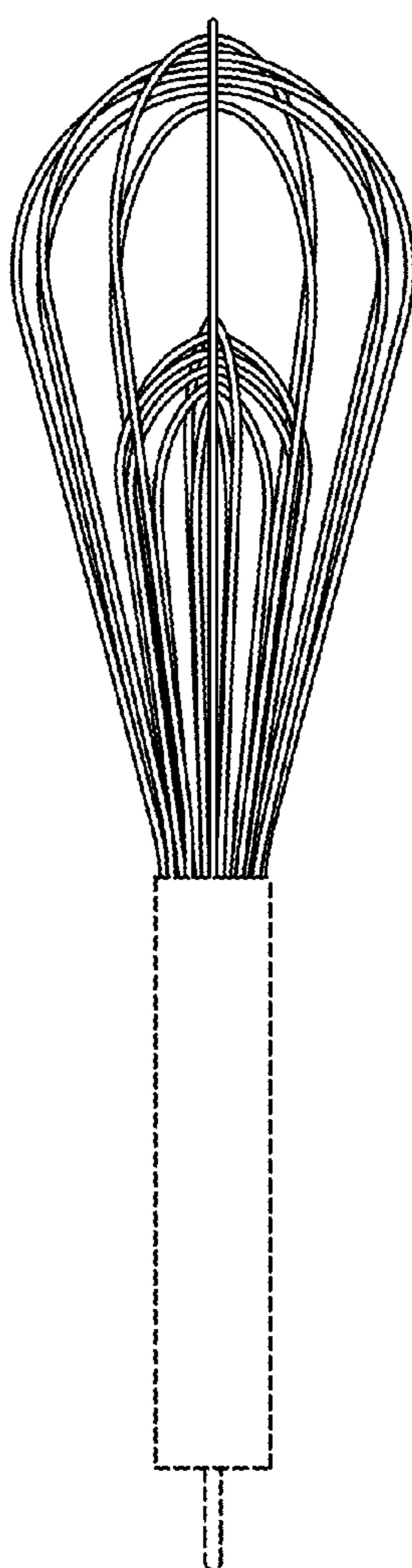


Fig. 8

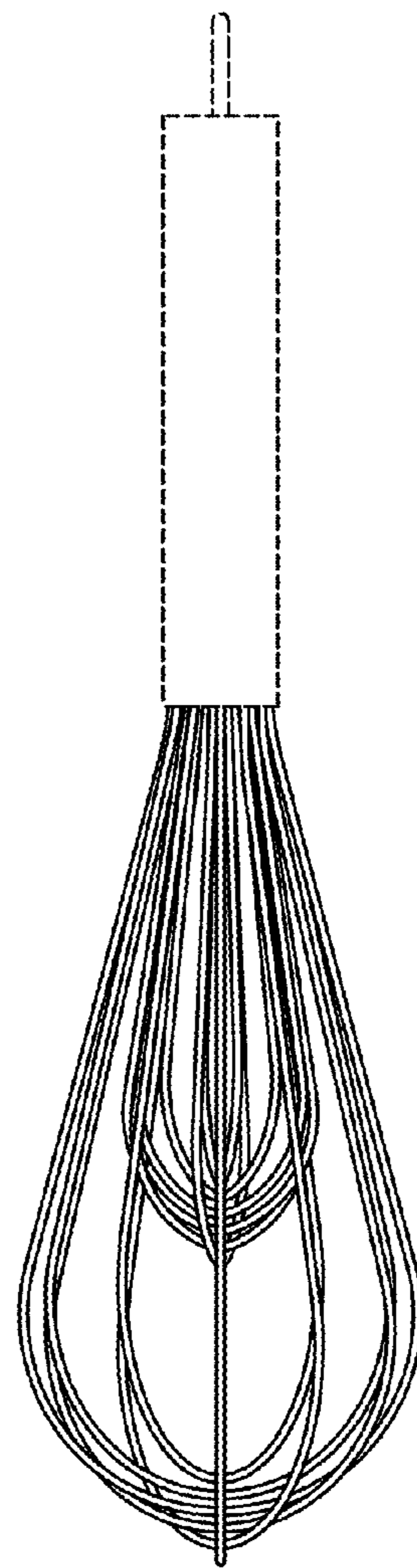


Fig. 9